



US00D393162S

United States Patent [19]
Bargagli-Stoffi

[11] **Patent Number:** **Des. 393,162**
[45] **Date of Patent:** ****Apr. 7, 1998**

[54] **HEADBOARD**

[75] **Inventor:** Carlo Bargagli-Stoffi, Union, N.J.
[73] **Assignee:** SanGiacomo, N.A., Ltd., Union, N.J.
[**] **Term:** 14 Years

[21] **Appl. No.:** 63,684
[22] **Filed:** Dec. 12, 1996

[51] **LOC (6) Cl.** 06-01
[52] **U.S. Cl.** D6/505
[58] **Field of Search** D6/382, 383, 388,
D6/389, 392-395, 505-508; 5/53.1, 279.1,
280, 281, 907

[56] **References Cited**

U.S. PATENT DOCUMENTS

D. 240,547 7/1976 Stanley et al. D6/393 X
D. 328,207 7/1992 White D6/505

OTHER PUBLICATIONS

Thomasville, Prestige II, p. 4, headboard at top.

Primary Examiner—Janice E. Seeger
Attorney, Agent, or Firm—Rhodes, Coats & Bennett, L.L.P.

[57] **CLAIM**

The ornamental design for a headboard, as shown and described.

DESCRIPTION

FIG. 1 is a front perspective view of a headboard showing my new design;

FIG. 2 is a side elevational view thereof, the opposite side being a mirror image;

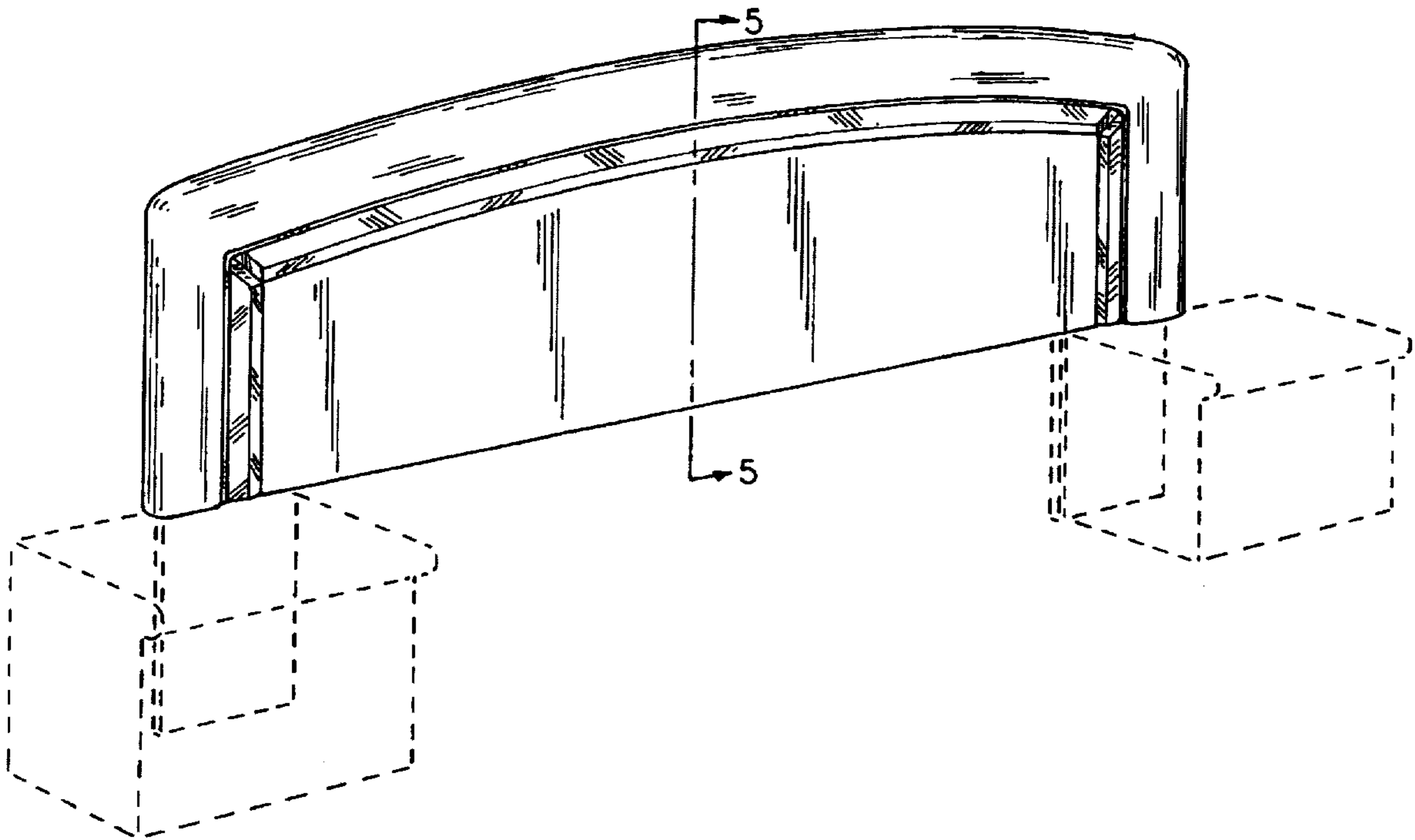
FIG. 3 is a top plan view thereof;

FIG. 4 is a front elevational view thereof; and,

FIG. 5 is a sectional view taken along line 5—5 in FIG. 3 which illustrates the curvature and relative thicknesses of the glass and non-glass members.

The rear and the bottom of the article are not part of the claimed design. The dotted lines are used to illustrate the environment in which the headboard is used, particularly the relationship to two nightstands with which the design is used. The particular configuration of the general type of the nightstands is not an aspect of the invention.

1 Claim, 2 Drawing Sheets



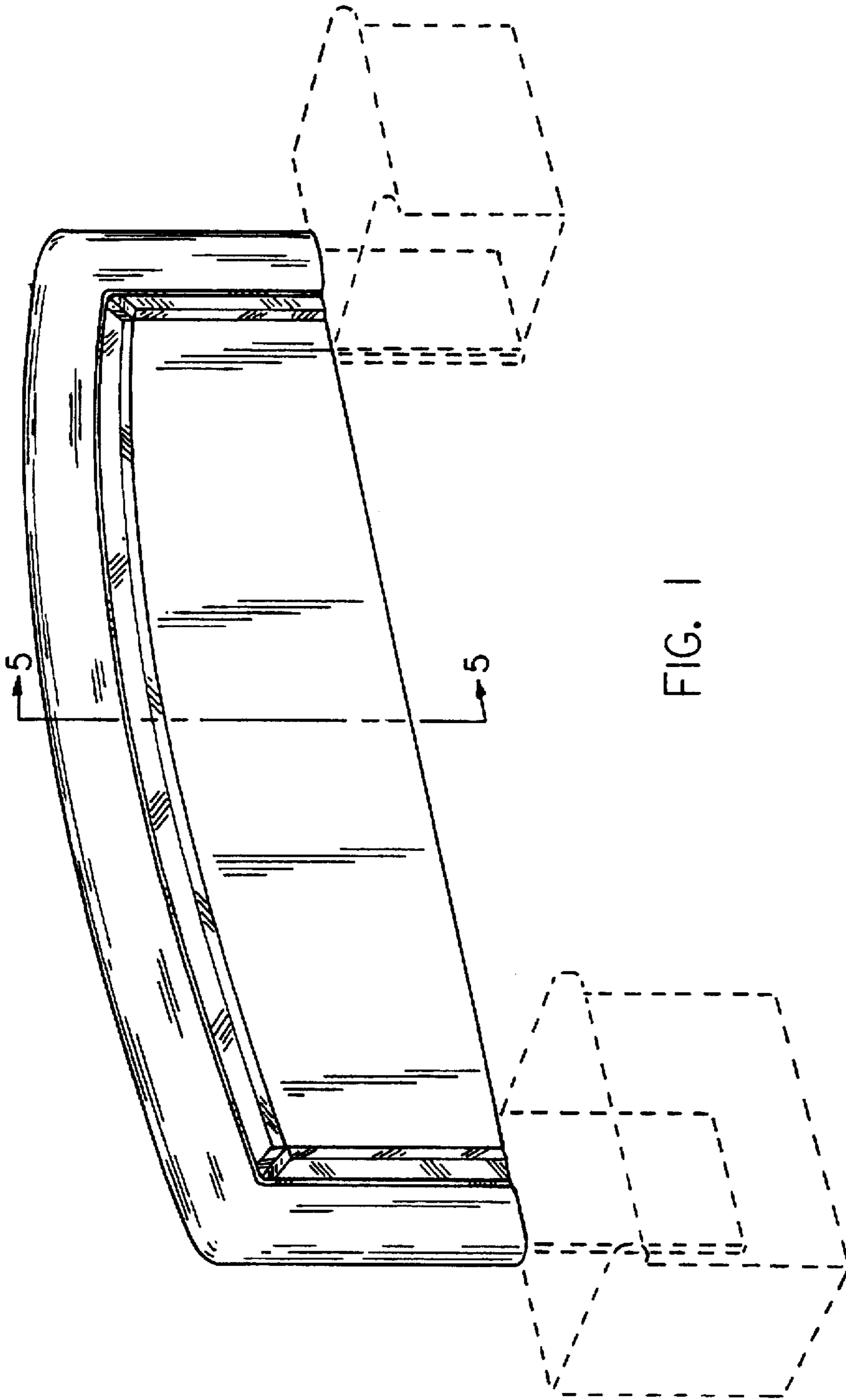


FIG. 1



FIG. 5

FIG. 3

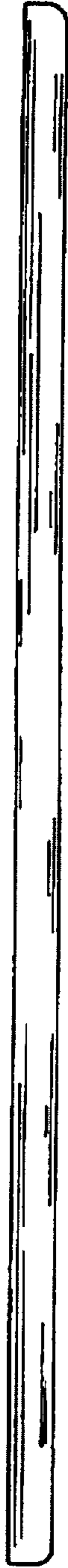


FIG. 2

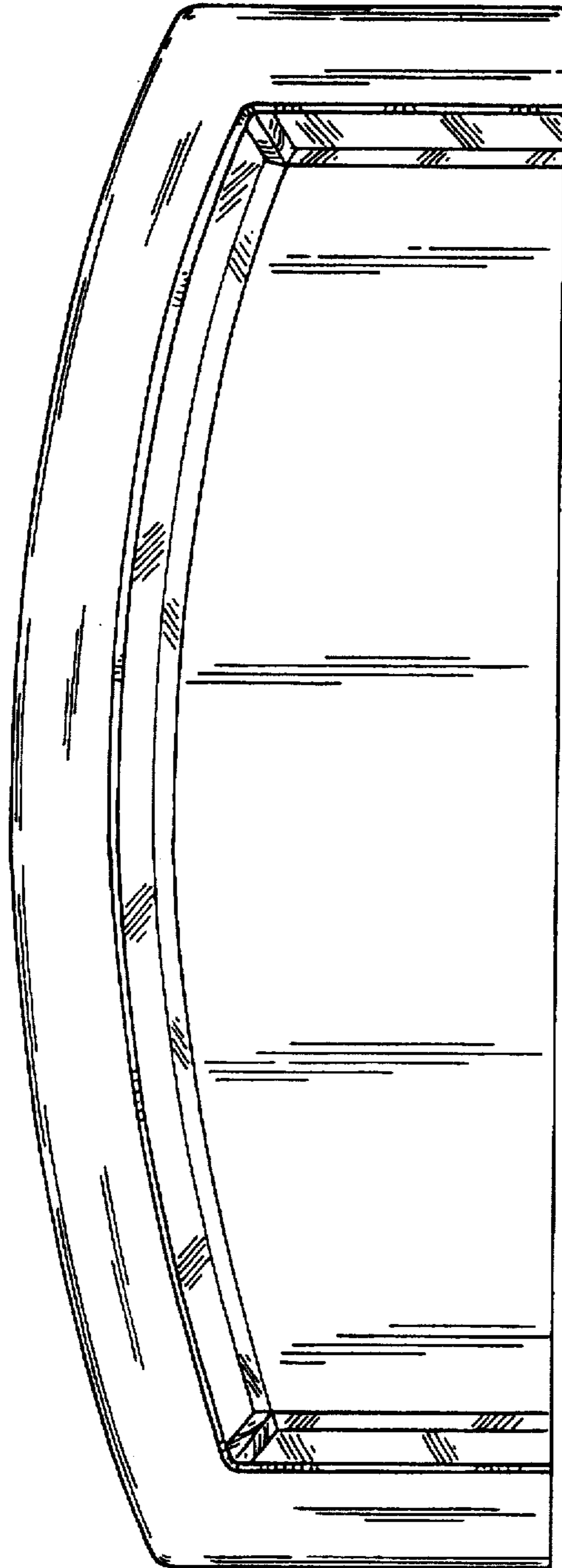


FIG. 4