



US00D393161S

United States Patent [19]

Dammerman et al.

[11] Patent Number: Des. 393,161

[45] Date of Patent: **Apr. 7, 1998

[54] CHAIR ARM

[75] Inventors: **Arnold B. Dammerman**, Grand Rapids; **David A. Bodnar**, Jenison; **Charles P. Roossien**, Wyoming; **Michael I. Deimen**, Grand Rapids, all of Mich.

[73] Assignee: **Steelcase Inc.**, Grand Rapids, Mich.

[**] Term: **14 Years**

[21] Appl. No.: **55,407**

[22] Filed: **Jun. 5, 1996**

[51] LOC (6) Cl. **06-06**

[52] U.S. Cl. **D6/501**

[58] Field of Search D6/334, 335, 371, D6/372, 373, 374, 379, 500, 501, 502; 297/411.2, 411.26, 446.1

- D. 295,925 5/1988 Uredat-Neuhoff .
- D. 298,593 11/1988 Vogtherr .
- D. 298,988 12/1988 Smith et al. .
- D. 305,183 12/1989 Carter et al. .
- D. 305,284 1/1990 Piretti .
- D. 308,143 5/1990 Lohmeyer D6/379
- D. 308,605 6/1990 Uecker et al. .
- D. 309,837 8/1990 Dozsa-Farkas .
- D. 309,990 8/1990 von Klier et al. .
- D. 312,002 11/1990 Carter et al. .
- D. 320,507 10/1991 Shields .
- D. 320,704 10/1991 Monesi .
- D. 322,179 12/1991 Wilson .
- D. 326,370 5/1992 Buchacz .
- D. 328,395 8/1992 Neuser .
- D. 328,980 9/1992 Buchacz .
- D. 338,566 8/1993 George et al. .
- D. 339,924 10/1993 Fahnstrom et al. .
- D. 339,926 10/1993 Fahnstrom et al. .
- D. 339,927 10/1993 Fahnstrom et al. .

(List continued on next page.)

[56] References Cited

U.S. PATENT DOCUMENTS

- D. 123,603 11/1940 Rideout D6/501
- D. 234,383 2/1975 Tacke .
- D. 236,303 8/1975 Prizlow .
- D. 240,374 7/1976 Buhk .
- D. 244,892 7/1977 Koepke .
- D. 249,303 9/1978 Ruf .
- D. 270,020 8/1983 Drabert .
- D. 272,585 2/1984 Tolleson .
- D. 274,483 7/1984 Caruso .
- D. 274,769 7/1984 Klier .
- D. 274,869 7/1984 Aronowitz et al. .
- D. 275,430 9/1984 Ochsner .
- D. 276,956 1/1985 Aronowitz et al. .
- D. 276,957 1/1985 Schultz .
- D. 279,153 6/1985 Aronowitz et al. .
- D. 279,154 6/1985 Aronowitz et al. .
- D. 279,155 6/1985 Aronowitz et al. .
- D. 288,387 2/1987 Ochsner .
- D. 289,236 4/1987 Bräuning .
- D. 291,846 9/1987 Conn .
- D. 292,351 10/1987 Brossard et al. .
- D. 295,583 5/1988 Conn .
- D. 295,584 5/1988 Conn .
- D. 295,701 5/1988 de Boer .

OTHER PUBLICATIONS

Exhibit A discloses a prior art arm manufactured by Steelcase, Inc., the assignee of the present application.

Primary Examiner—Gary D. Watson
Attorney, Agent, or Firm—Price, Heneveld, Cooper, DeWitt & Litton

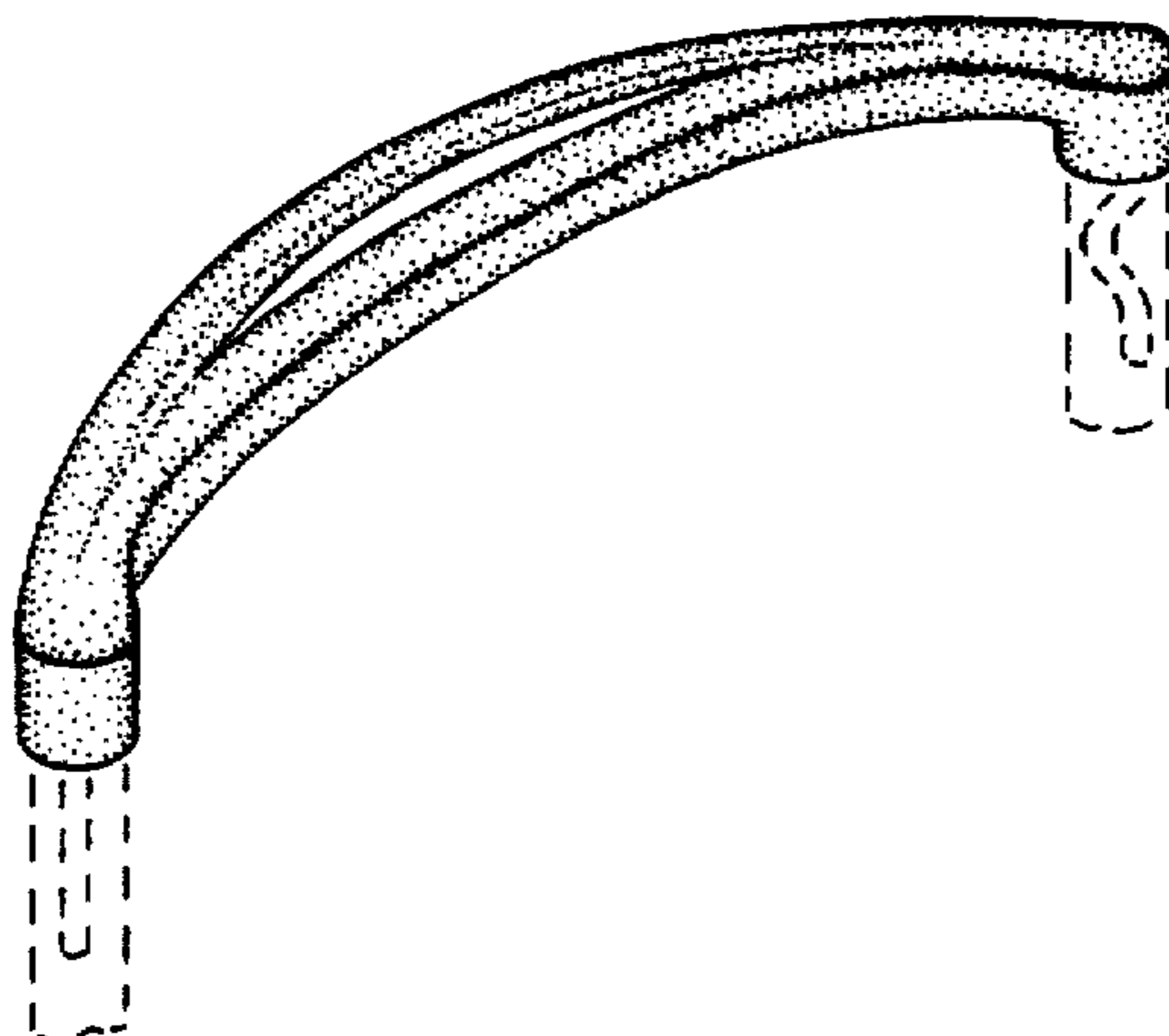
[57] CLAIM

The ornamental design for a chair arm, as shown and described.

DESCRIPTION

FIG. 1 is a perspective view of a chair arm embodying the present invention;
FIG. 2 is a top view thereof;
FIG. 3 is a right view thereof;
FIG. 4 is an end view thereof;
FIG. 5 is an opposite end view thereof; and,
FIG. 6 is a left side or outside view thereof.
The broken lines are for illustrative purposes and form no part of the claimed design.

1 Claim, 1 Drawing Sheet



U.S. PATENT DOCUMENTS

D. 339,940	10/1993	Balderi et al. .	D. 353,268	12/1994	Ambasz .
D. 343,740	2/1994	Ginat .	D. 353,718	12/1994	Olson .
D. 345,260	3/1994	Narita .	D. 354,631	1/1995	Orlandini et al. .
D. 345,470	3/1994	Narita .	D. 355,081	2/1995	Scheper .
D. 345,866	4/1994	Barker .	D. 355,308	2/1995	Marini D6/379
D. 345,867	4/1994	Narita .	D. 355,534	2/1995	Saotome .
D. 345,874	4/1994	Muller .	D. 356,223	3/1995	Boulva .
D. 346,707	5/1994	Martinez D6/379	D. 356,897	4/1995	Ochsner .
D. 347,333	5/1994	Von Klier .	D. 358,063	5/1995	Larkin .
D. 348,571	7/1994	Obata et al. .	D. 358,065	5/1995	Larkin .
D. 348,786	7/1994	Tolleson et al. .	D. 358,944	6/1995	Citterio .
D. 350,032	8/1994	Beaulieu .	D. 359,396	6/1995	Schmid et al. .
D. 351,069	10/1994	Orlandini et al. .	4,884,846	12/1989	Tobler .
D. 351,291	10/1994	Völkle .	5,318,347	6/1994	Tseng .
			5,346,284	9/1994	Dauphin .
			5,368,364	11/1994	Kanai .

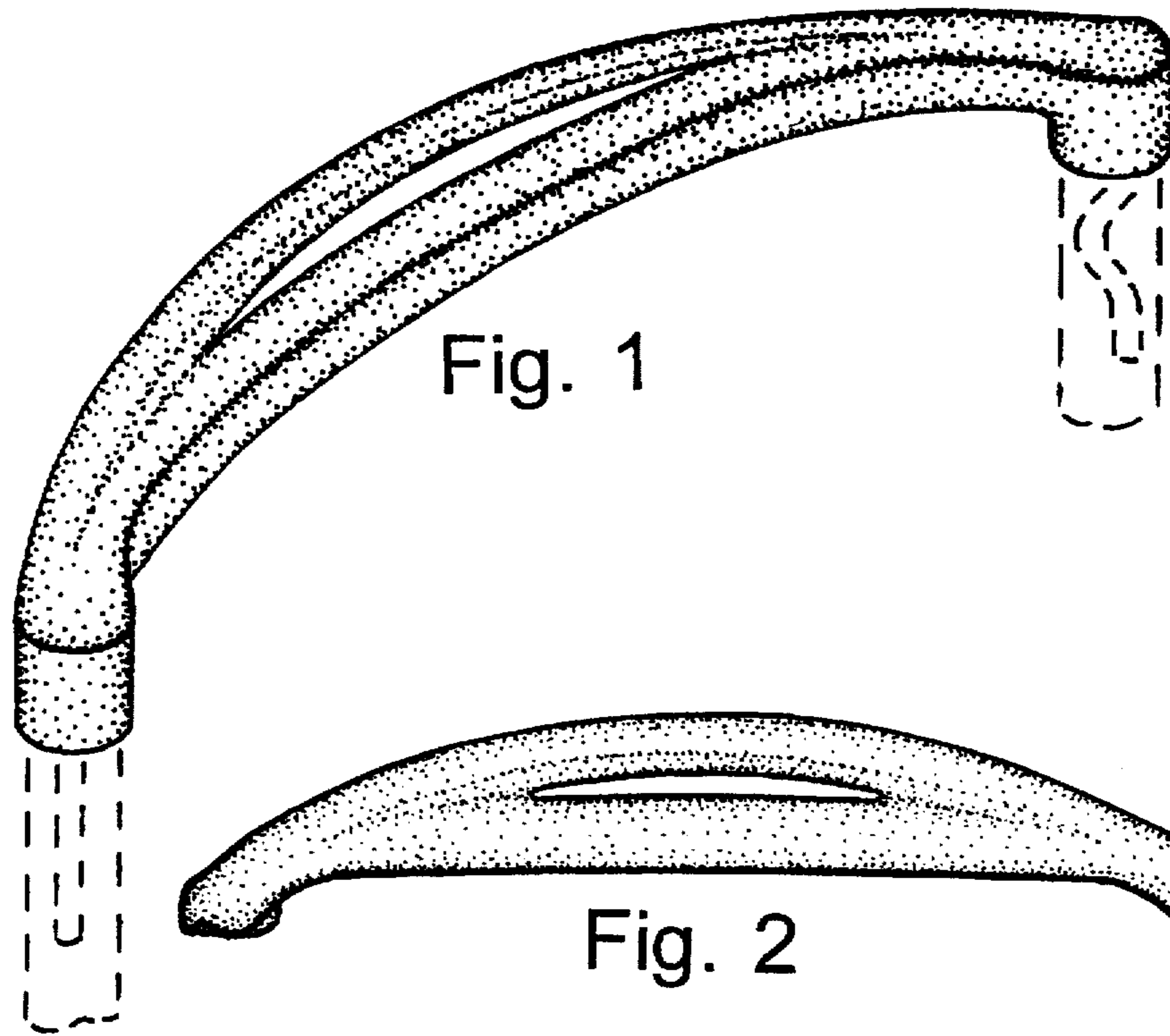


Fig. 1

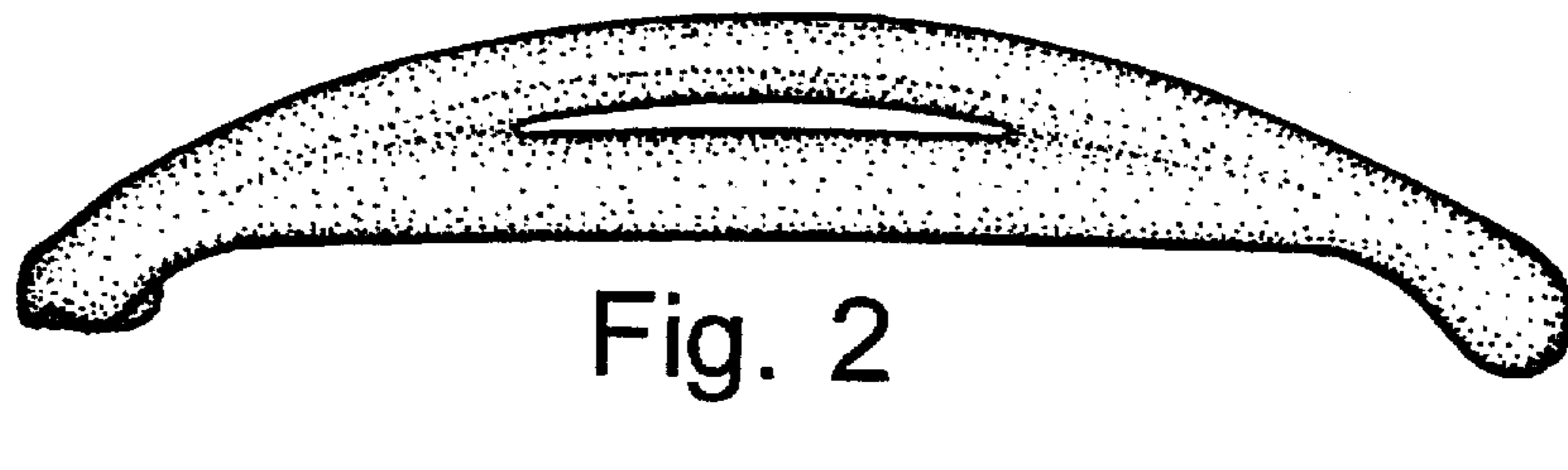


Fig. 2

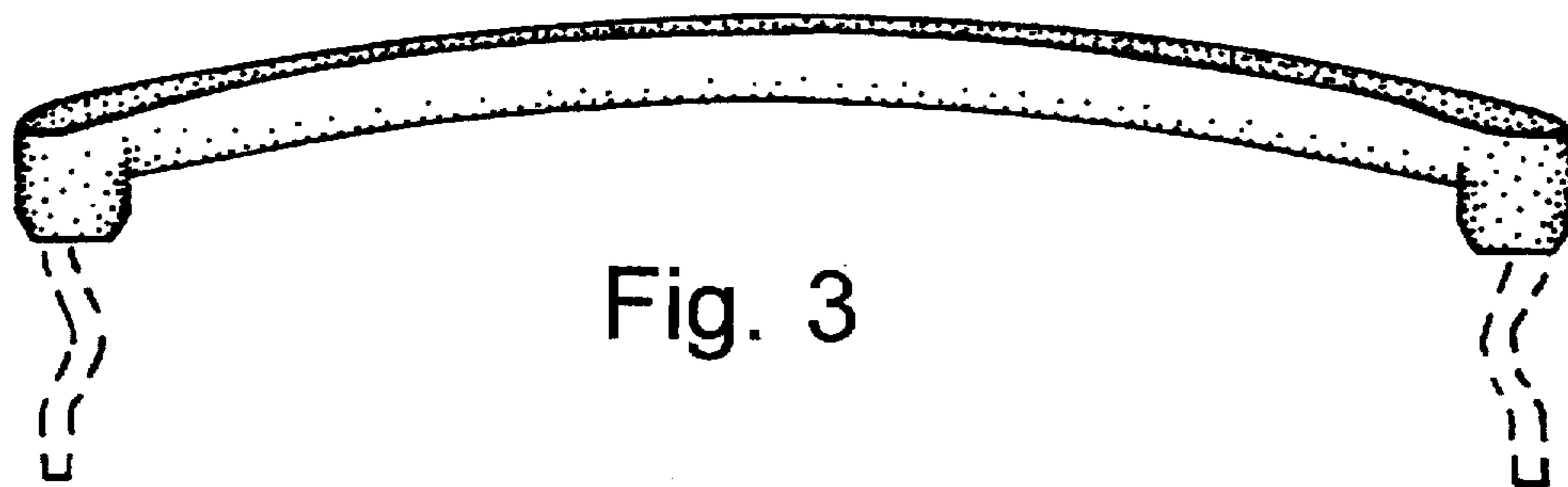


Fig. 3

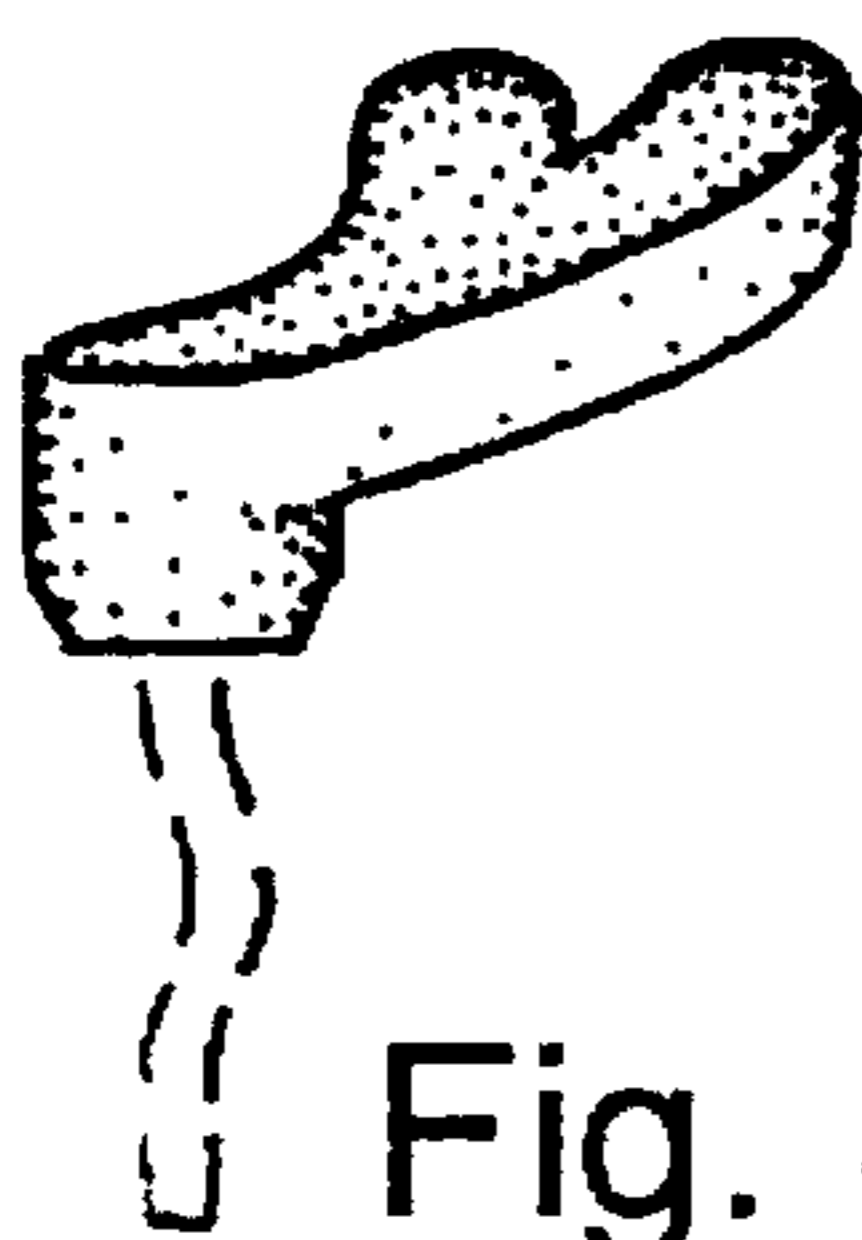


Fig. 4



Fig. 5

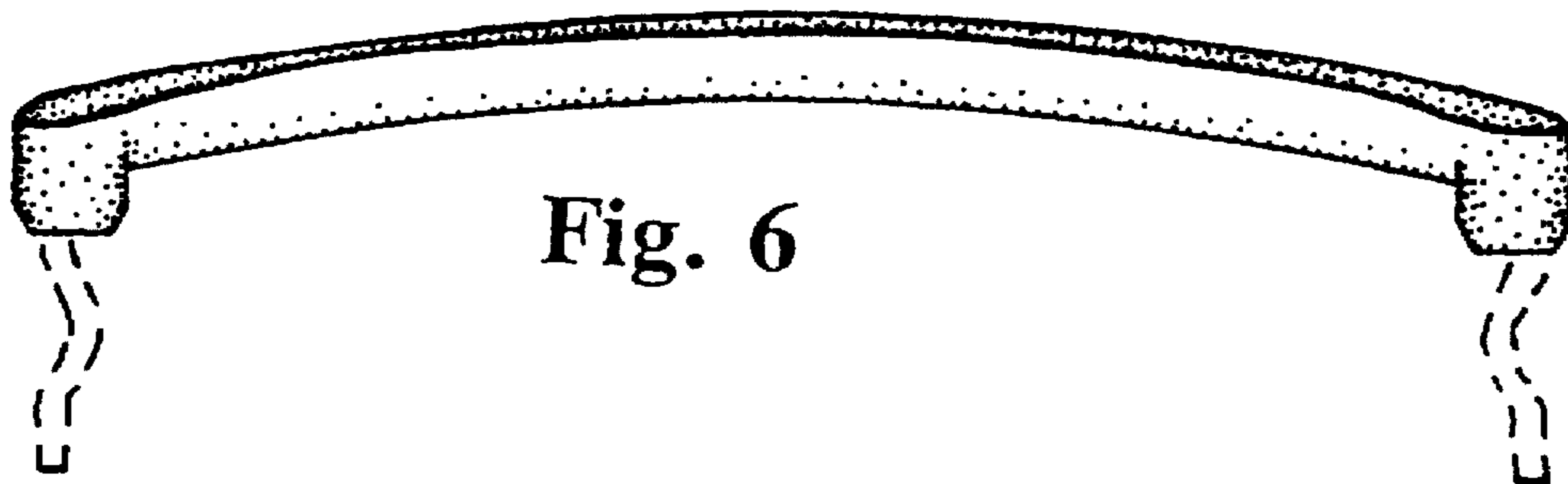


Fig. 6

UNITED STATES PATENT AND TRADEMARK OFFICE
CERTIFICATE OF CORRECTION

PATENT NO. : Des. 393,161
DATED : April 7, 1998
INVENTOR(S) : Arnold B. Dammerman et al.

It is certified that error appears in the above-identified patent and that said Letters Patent is hereby corrected as shown below:

Title page, Section [75] Inventors;

"Michael I. Deimen" should be --Michael L. Deimen--.

Signed and Sealed this
Ninth Day of June, 1998

Attest:



BRUCE LEHMAN

Attesting Officer

Commissioner of Patents and Trademarks