

US00D393157S

United States Patent [19]
Goodworth et al.

[11] **Patent Number:** **Des. 393,157**
[45] **Date of Patent:** ****Apr. 7, 1998**

[54] **CHAIR**
[75] **Inventors:** **William H. Goodworth, Davenport;**
Robert Baillie, Muscatine, both of Iowa

D. 321,993 12/1991 Zagaroli et al. D6/366
D. 369,488 5/1996 McDiarmid D6/502
D. 369,705 5/1996 George et al. D6/500
D. 379,408 5/1997 Feldberg D6/366

[73] **Assignee:** **Hon Industries Inc., Muscatine, Iowa**
[**] **Term:** **14 Years**

Primary Examiner—Gary D. Watson
Attorney, Agent, or Firm—Jones, Day, Reavis & Pogue

[21] **Appl. No.:** **64,188**
[22] **Filed:** **Dec. 23, 1996**

[57] **CLAIM**
The ornamental design for a chair, as shown.

[51] **LOC (6) Cl.** **06-01**
[52] **U.S. Cl.** **D6/366**
[58] **Field of Search** **D6/334, 364, 365,**
D6/366, 367, 379, 500, 501, 502; 297/411.2

DESCRIPTION

FIG. 1 is a front perspective view of a chair showing our new design;
FIG. 2 is a front view thereof;
FIG. 3 is a rear view thereof;
FIG. 4 is a right side elevational view thereof;
FIG. 5 is a left side elevational view thereof; and,
FIG. 6 is a top plan view thereof.
FIG. 1 has been shown on an enlarged scale with respect to the other views.

[56] **References Cited**
U.S. PATENT DOCUMENTS

D. 259,000 4/1981 Vogtherr D6/366
D. 273,640 5/1984 Pettit D6/366
D. 298,188 10/1988 Hensel D6/366

1 Claim, 3 Drawing Sheets

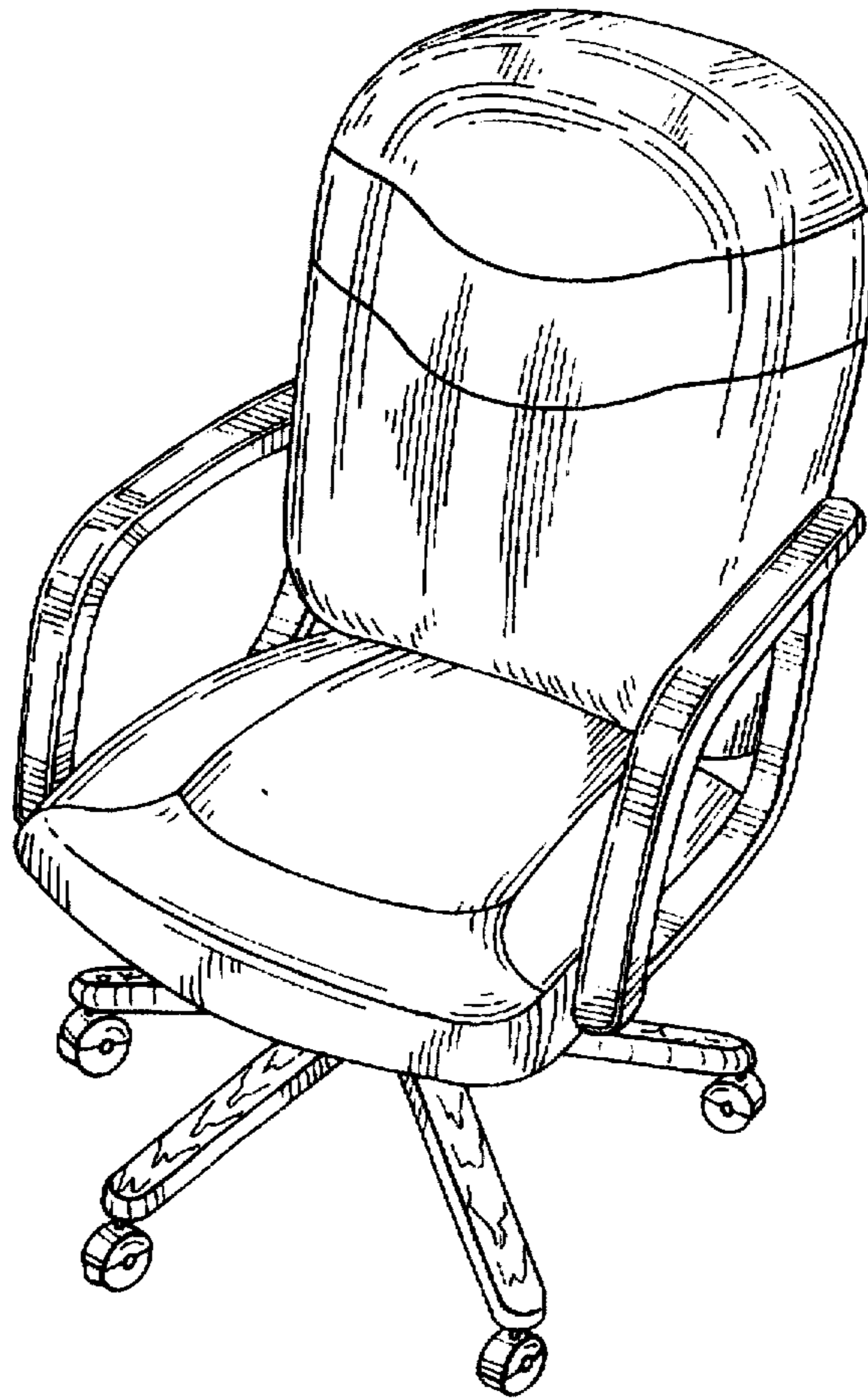


FIG. 1

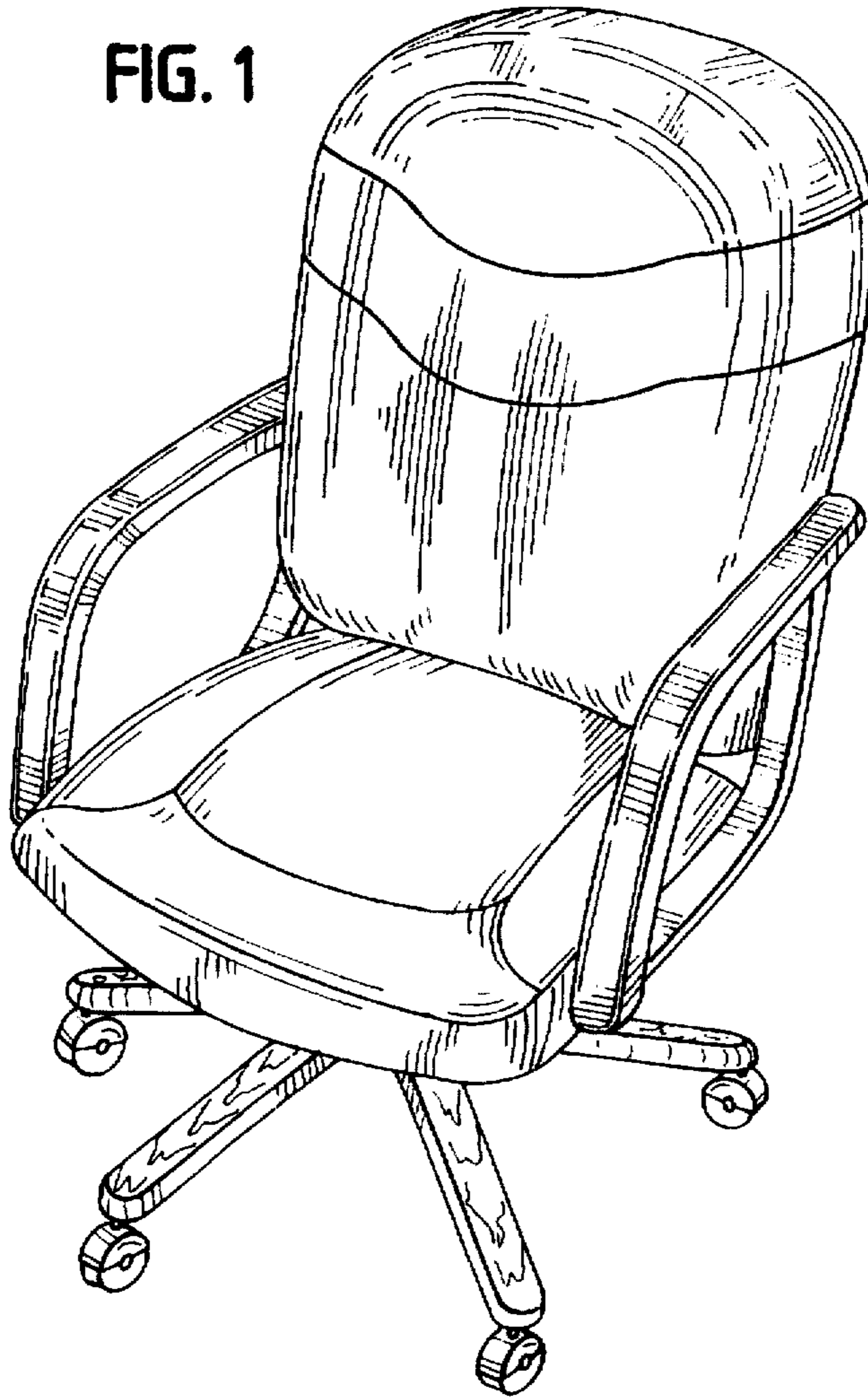


FIG. 2

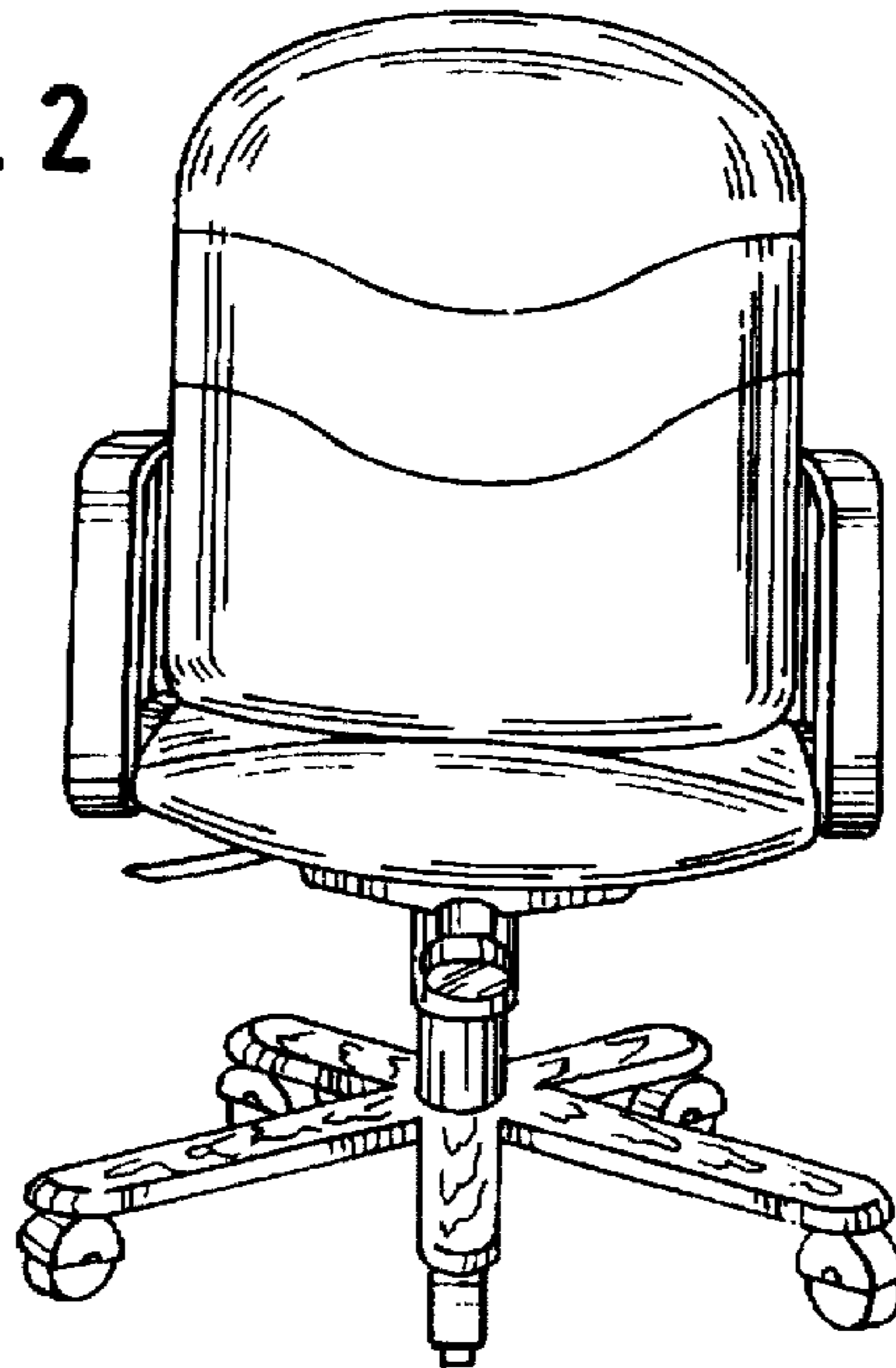


FIG. 3

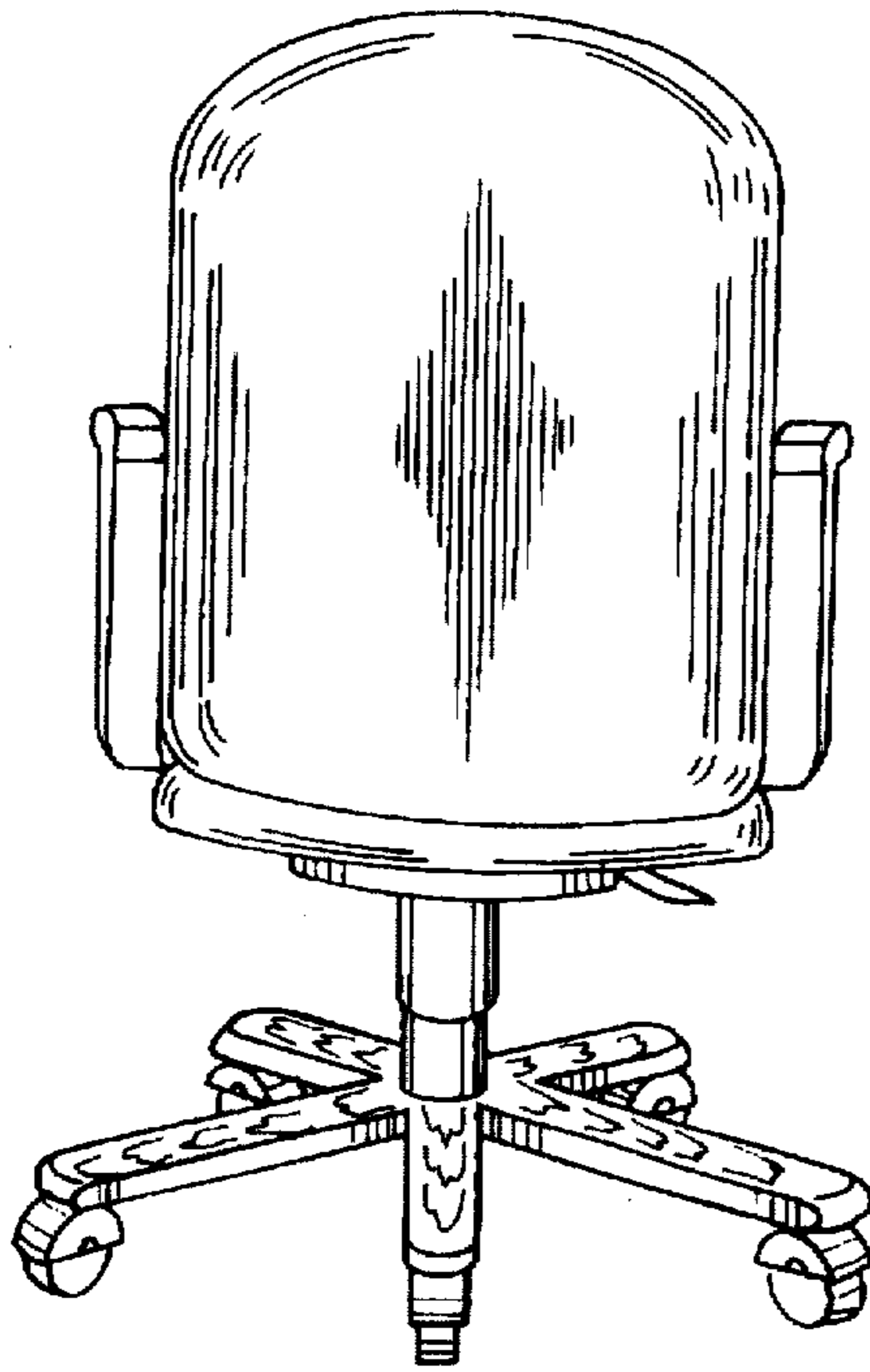


FIG. 4

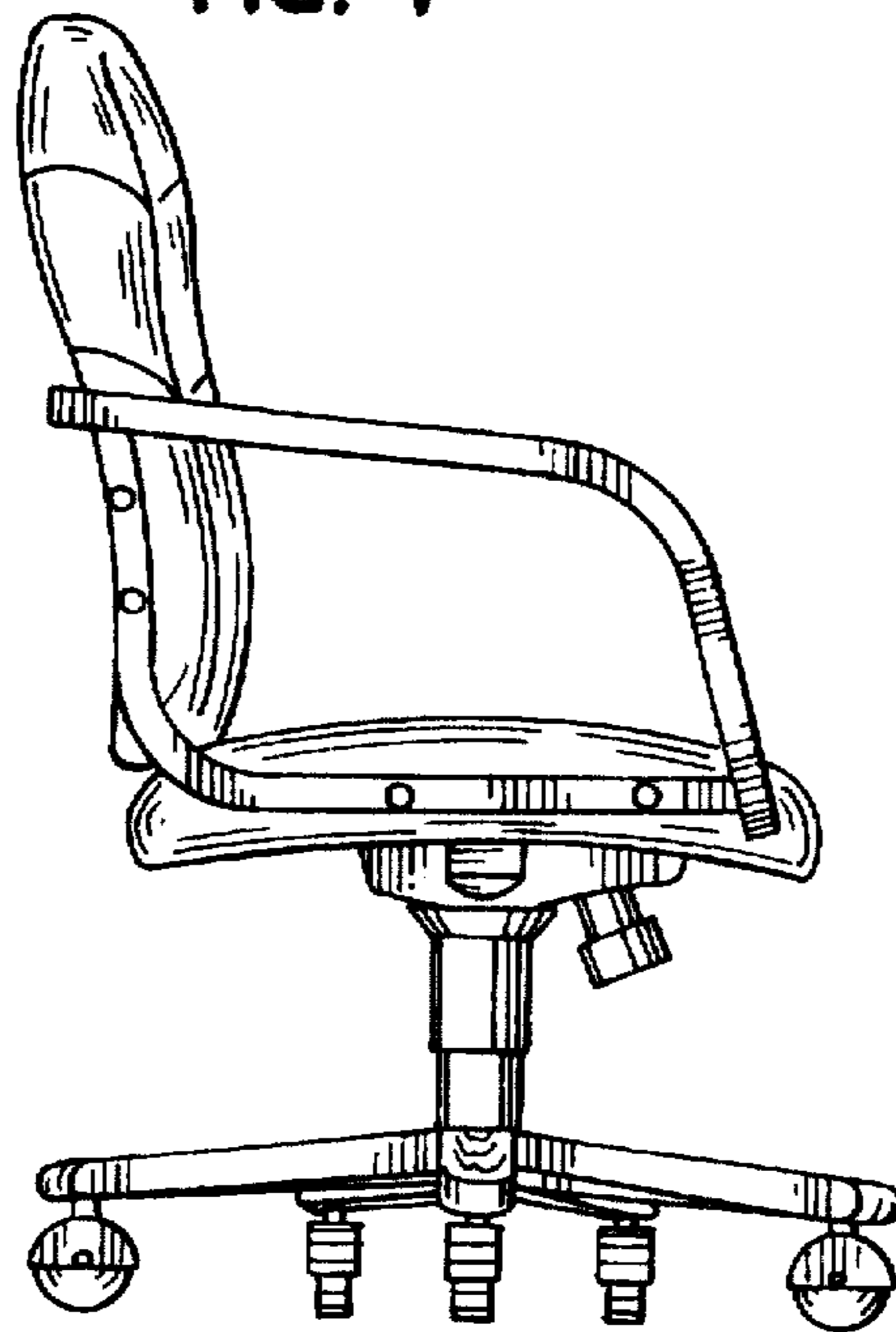


FIG. 5

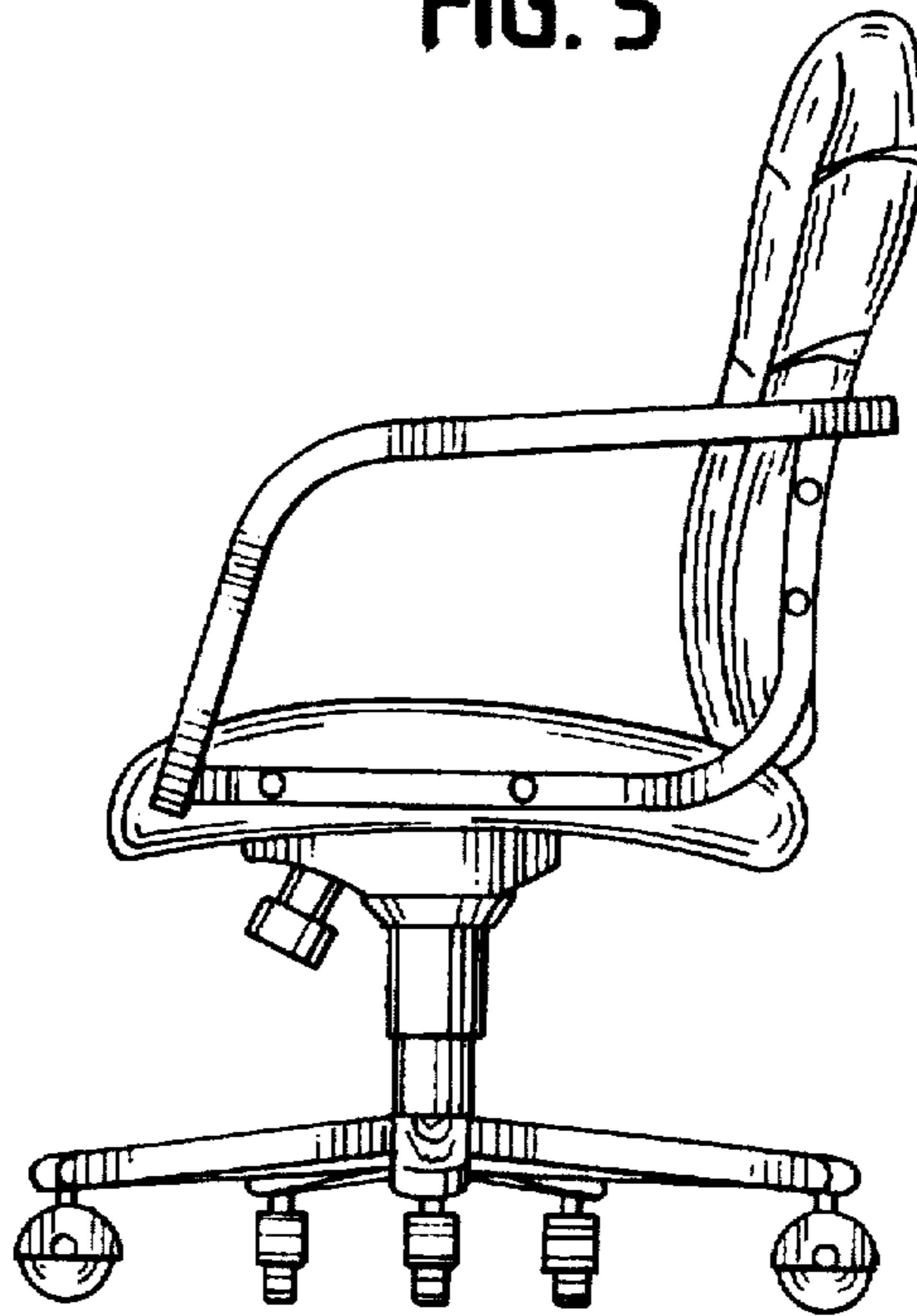


FIG. 6

