



US00D393151S

# United States Patent [19] Liaklev

[11] Patent Number: **Des. 393,151**  
[45] Date of Patent: **\*\*Apr. 7, 1998**

[54] **TRACK FOR STORING FISHHOOKS**  
[75] Inventor: **Geir Jorn Liaklev, Gjøvik, Norway**  
[73] Assignee: **O. Mustad & Søn A/S, Gjøvik, Norway**  
[\*\*] Term: **14 Years**

D. 245,791 9/1977 Copeland ..... D25/119  
D. 255,940 7/1980 Kwan et al. .... D25/119  
D. 276,656 12/1984 Lindstrom ..... D25/119  
D. 288,966 3/1987 Gordon et al. .... D25/119  
D. 333,353 2/1993 Guhl et al. .... D25/119 X  
D. 347,482 5/1994 Mesholam ..... D25/119

[21] Appl. No.: **57,375**  
[22] Filed: **Jul. 23, 1996**  
[30] **Foreign Application Priority Data**

*Primary Examiner*—Doris V. Coles  
*Attorney, Agent, or Firm*—Jacobson, Price, Holman & Stern, PLLC

Jan. 23, 1996 [NO] Norway ..... 960041  
[51] LOC (6) Cl. .... **03-01**  
[52] U.S. Cl. .... **D3/260; D22/134**  
[58] **Field of Search** ..... D22/144, 134;  
D8/377; D25/119; D3/260; 43/25.2, 57.1,  
57.3, 57.2, 54.1; 206/315.11

[57] **CLAIM**  
The ornamental design for a track for storing fishhooks, as shown and described.

[56] **References Cited**  
**U.S. PATENT DOCUMENTS**  
D. 241,339 9/1976 La Borde ..... D25/119

**DESCRIPTION**  
FIG. 1 is a front perspective showing my new design for a track for storing fishhooks;  
FIG. 2 is a rear perspective view thereof;  
FIG. 3 is another rear perspective thereof; and,  
FIG. 4 is a side elevational view thereof.

**1 Claim, 4 Drawing Sheets**

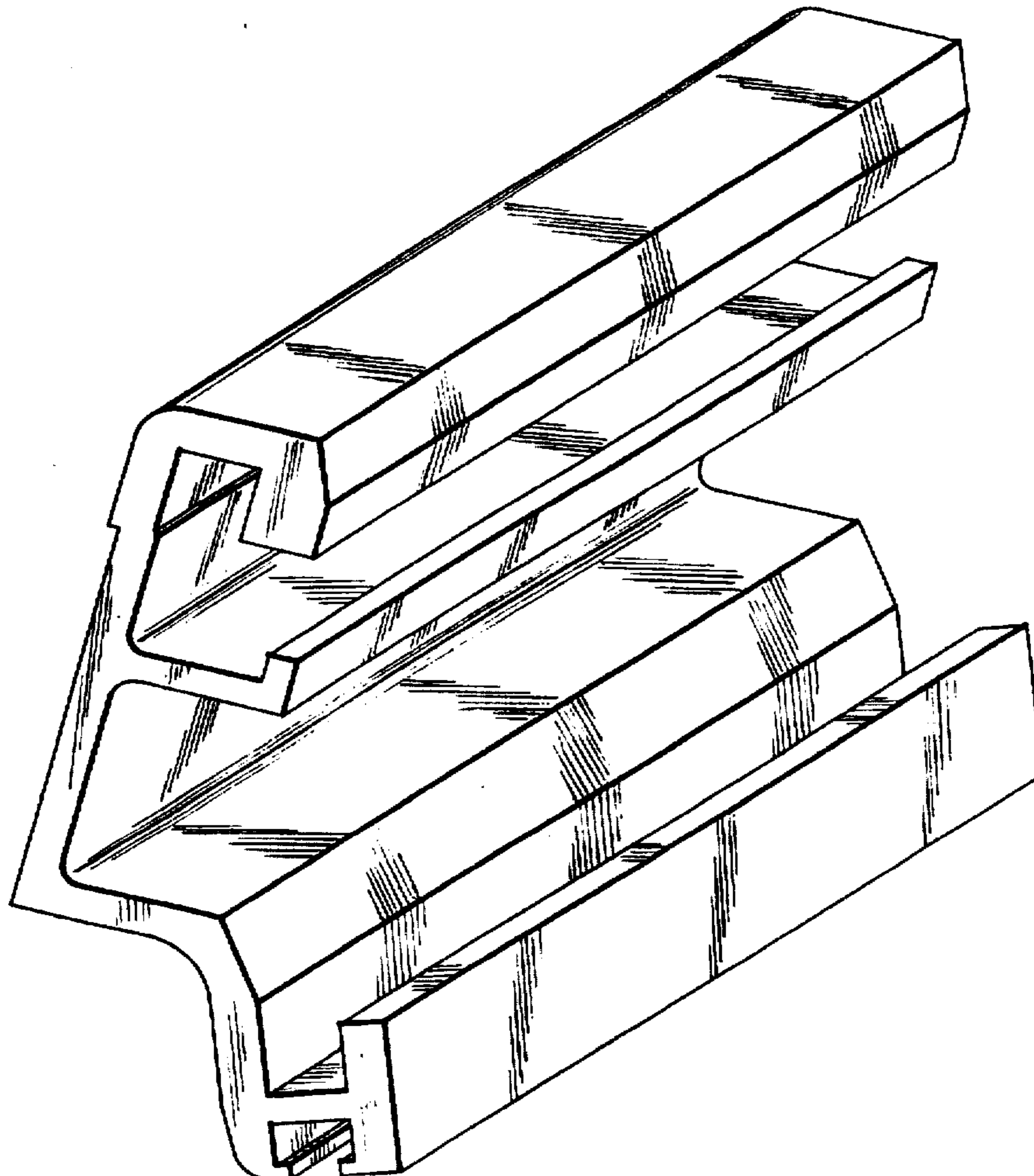


FIG. 1

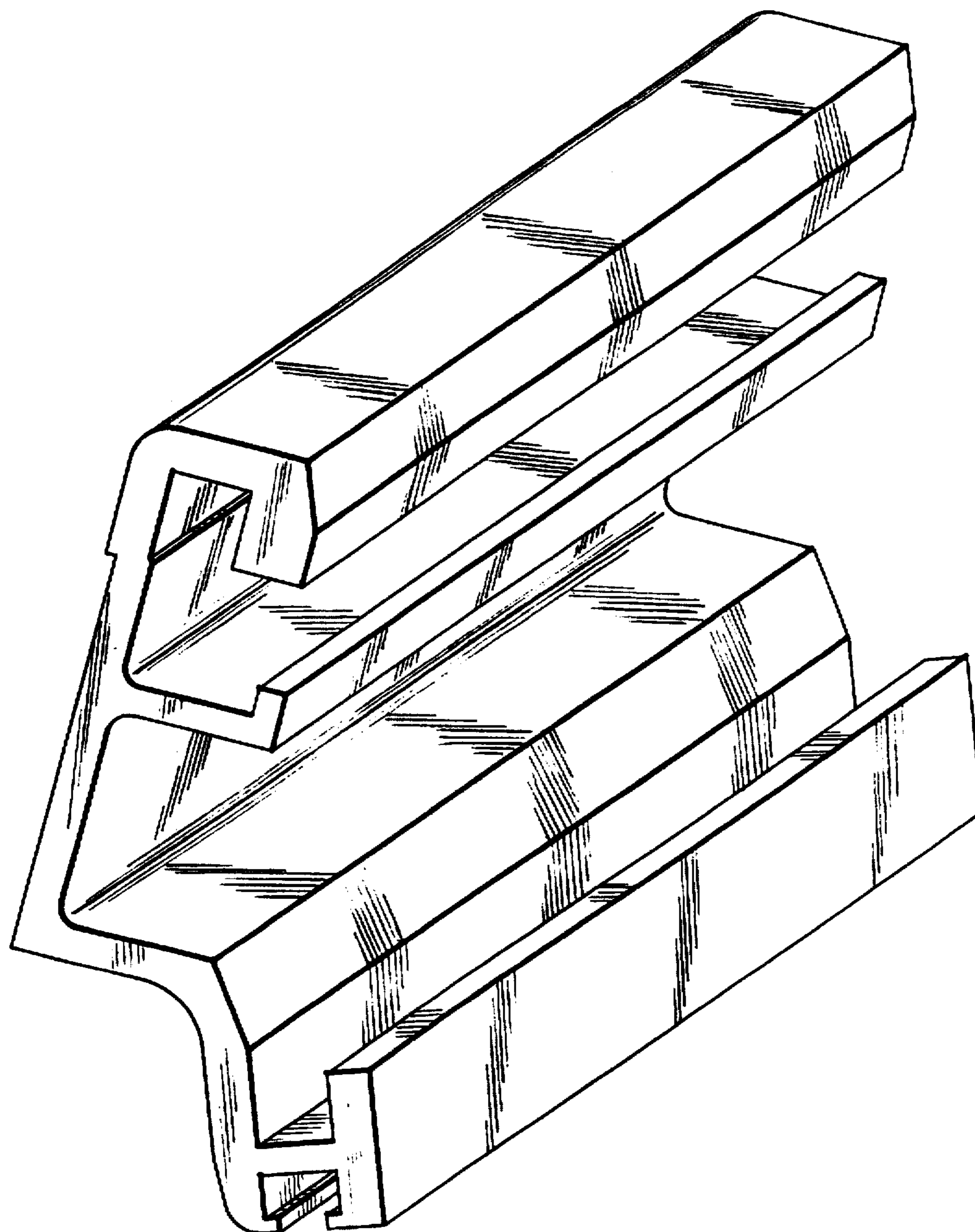


FIG. 2

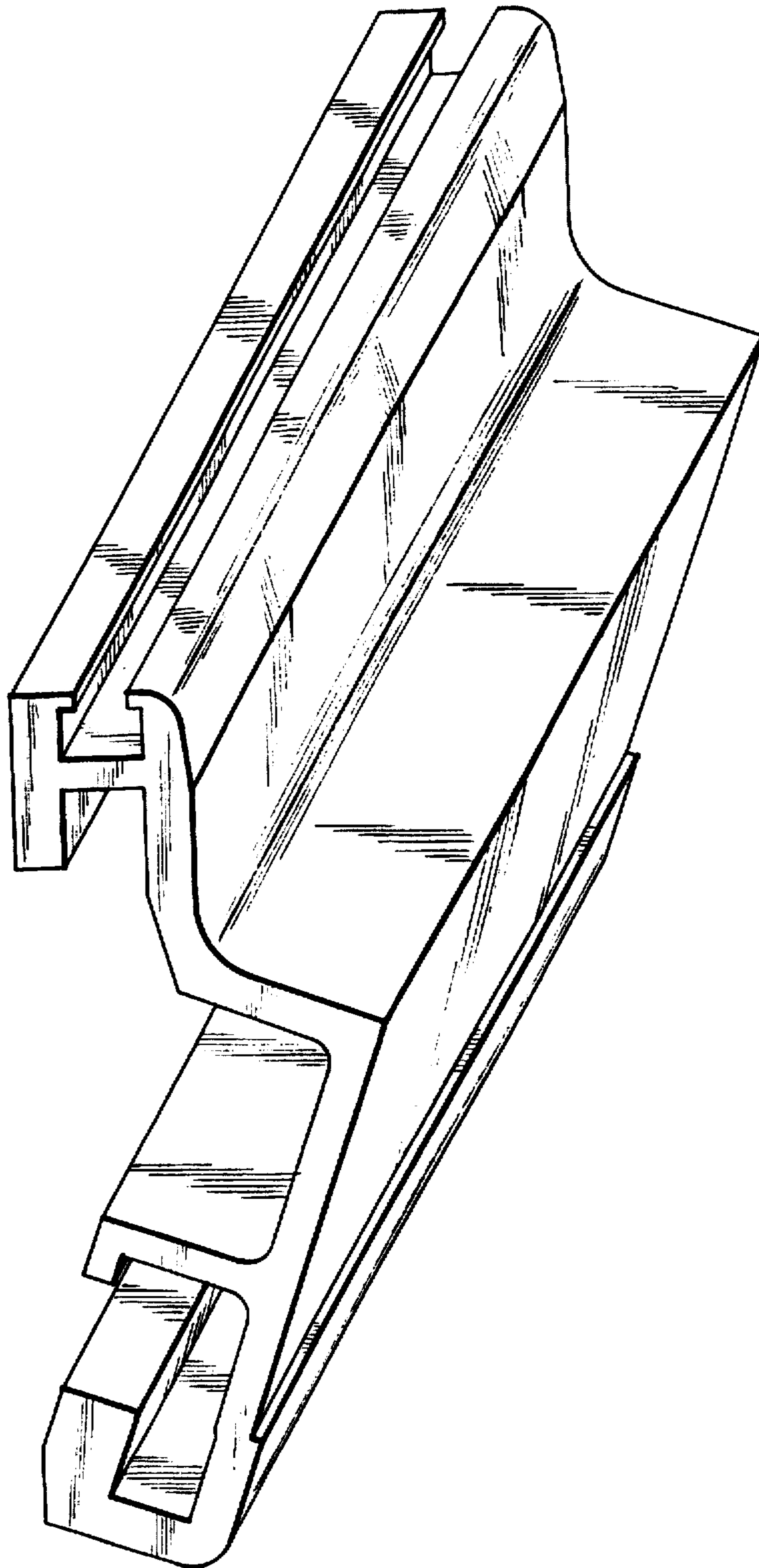




FIG. 3

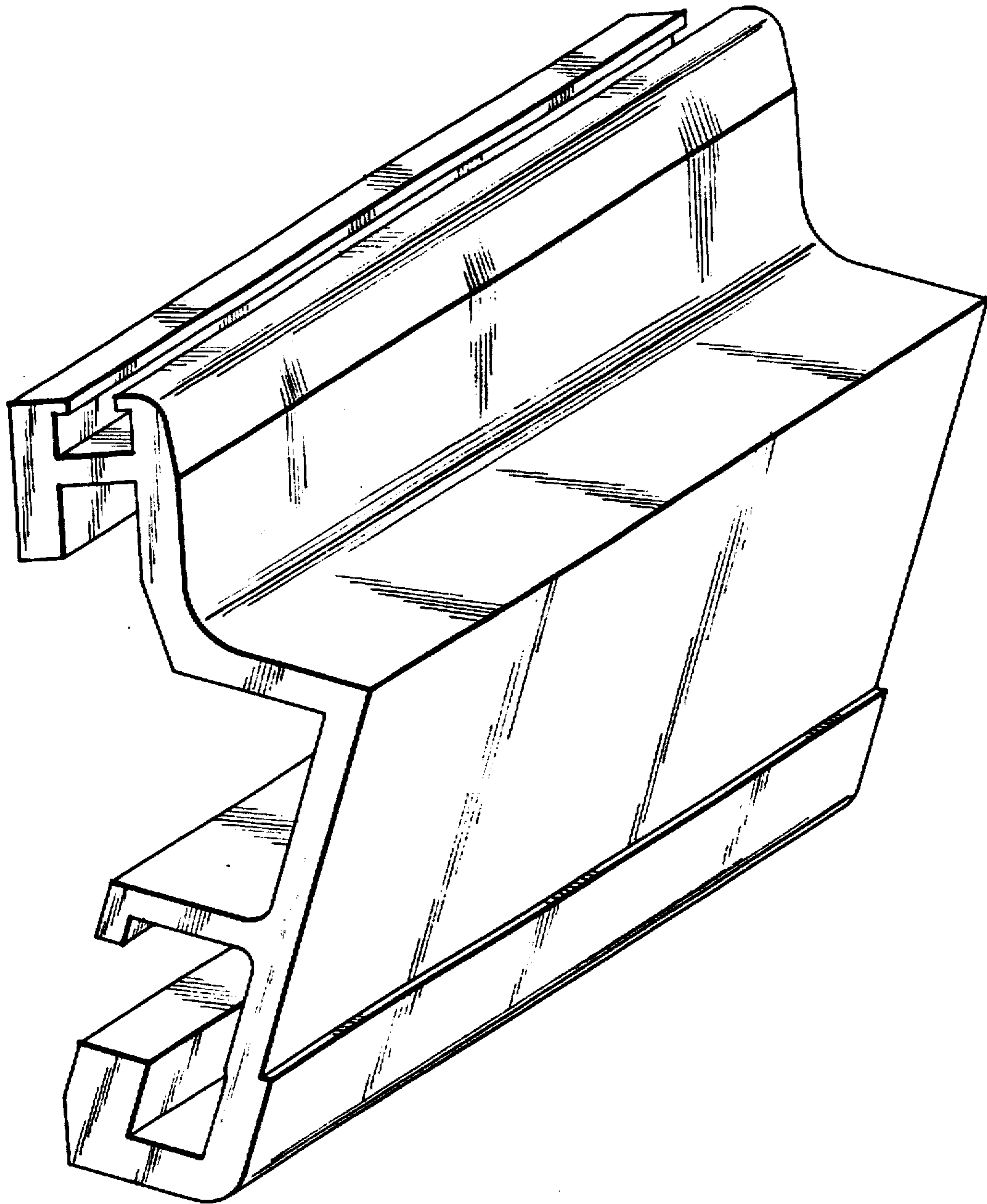


FIG. 4

