



US00D393136S

# United States Patent [19]

[11] Patent Number: Des. 393,136

Gornet

[45] Date of Patent: \*\*Apr. 7, 1998

[54] TORTILLA SHELL

[76] Inventor: Timothy J. Gornet, 625 Newport Ave., Webster Grove, Mo. 63119

[\*\*] Term: 14 Years

[21] Appl. No.: 58,852

[22] Filed: Aug. 26, 1996

D. 277,234	1/1985	Bank	.....	D1/122
D. 339,899	10/1993	Kittleson	.....	D1/122
2,145,481	1/1939	Harvey	.....	426/138
3,215,332	11/1965	Bess	.....	D9/432 X
4,365,712	12/1982	Oishi et al.	.....	206/387.1
4,501,359	2/1985	Yoshizawa	.....	206/387.1

Primary Examiner—Susan J. Lucas  
Assistant Examiner—Pamela Burgess  
Attorney, Agent, or Firm—Polster, Lieder, Woodruff & Lucchesi

### Related U.S. Application Data

[62] Division of Ser. No. 34,610, Feb. 8, 1995, Pat. No. Des. 376,893.

[51] LOC (6) Cl. .... 01-01

[52] U.S. Cl. .... D1/122; D9/432

[58] Field of Search ..... D1/122, 123, 199, D1/101, 102; D7/601; D11/156; 206/387.1; 426/138, 139, 143; D9/432

### [57] CLAIM

The ornamental design for a tortilla shell, as shown and described.

### DESCRIPTION

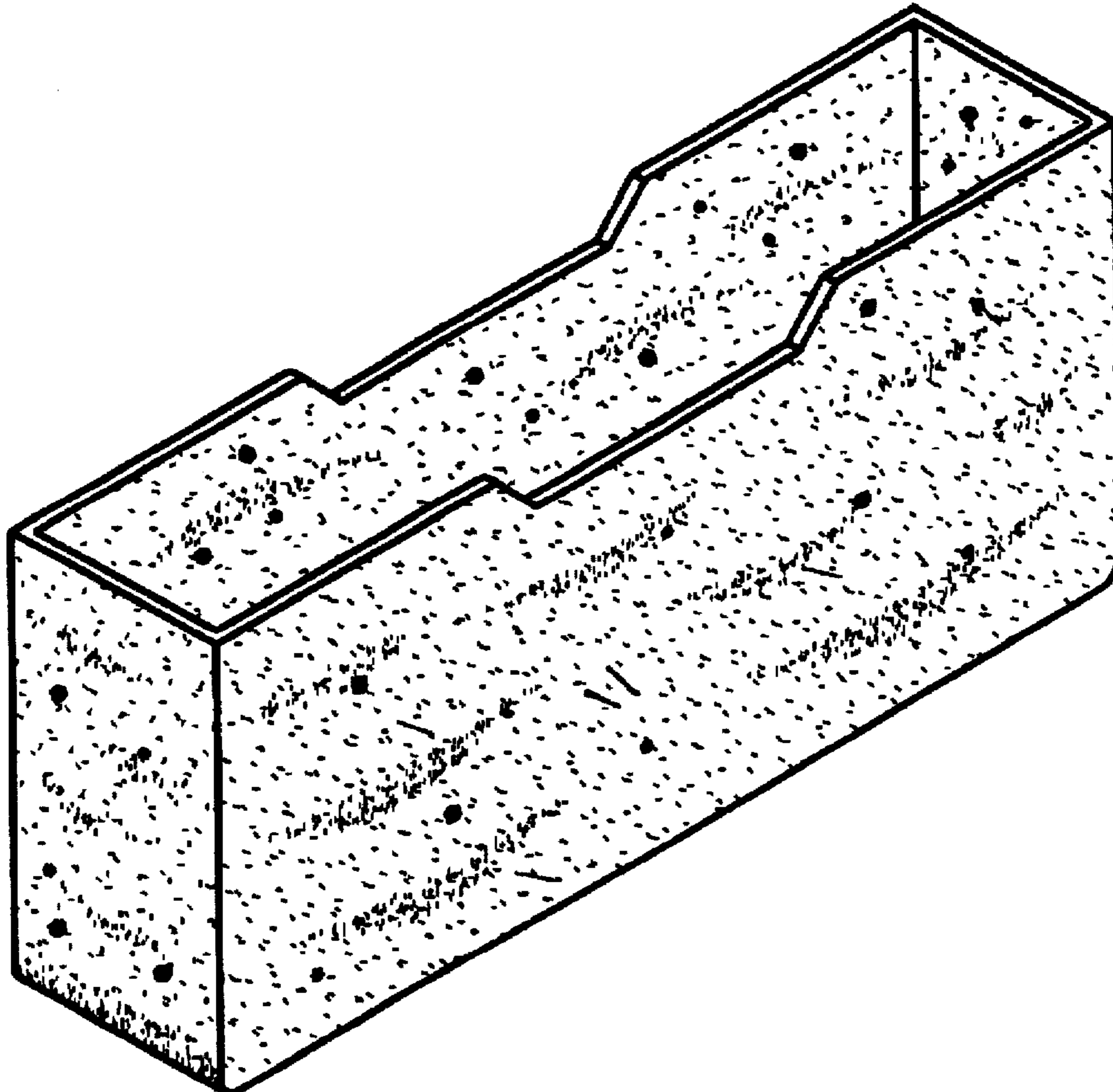
FIG. 1 is a top perspective view of a tortilla shell showing my new design;  
FIG. 2 is a front elevational view thereof, the undisclosed rear being the same;  
FIG. 3 is a side elevational view thereof, the undisclosed side being the same;  
FIG. 4 is a top plan view thereof; and,  
FIG. 5 is a bottom plan view thereof.

### [56] References Cited

#### U.S. PATENT DOCUMENTS

D. 93,019	8/1934	Hose	.....	D1/122
D. 191,348	9/1961	Ambrette	.....	D1/123
D. 275,654	9/1984	Yoshizawa	.....	D9/432

1 Claim, 1 Drawing Sheet



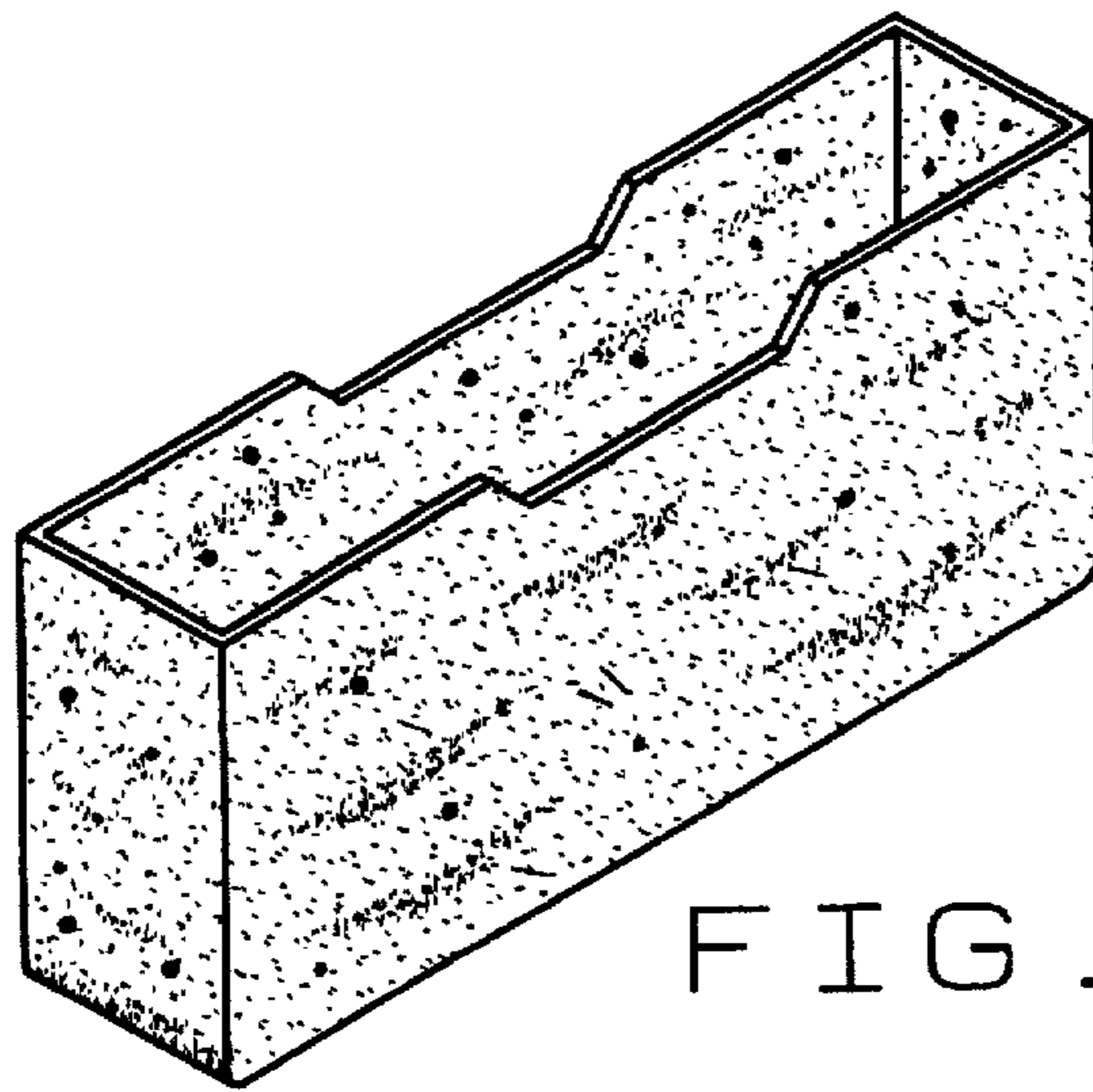


FIG. 1

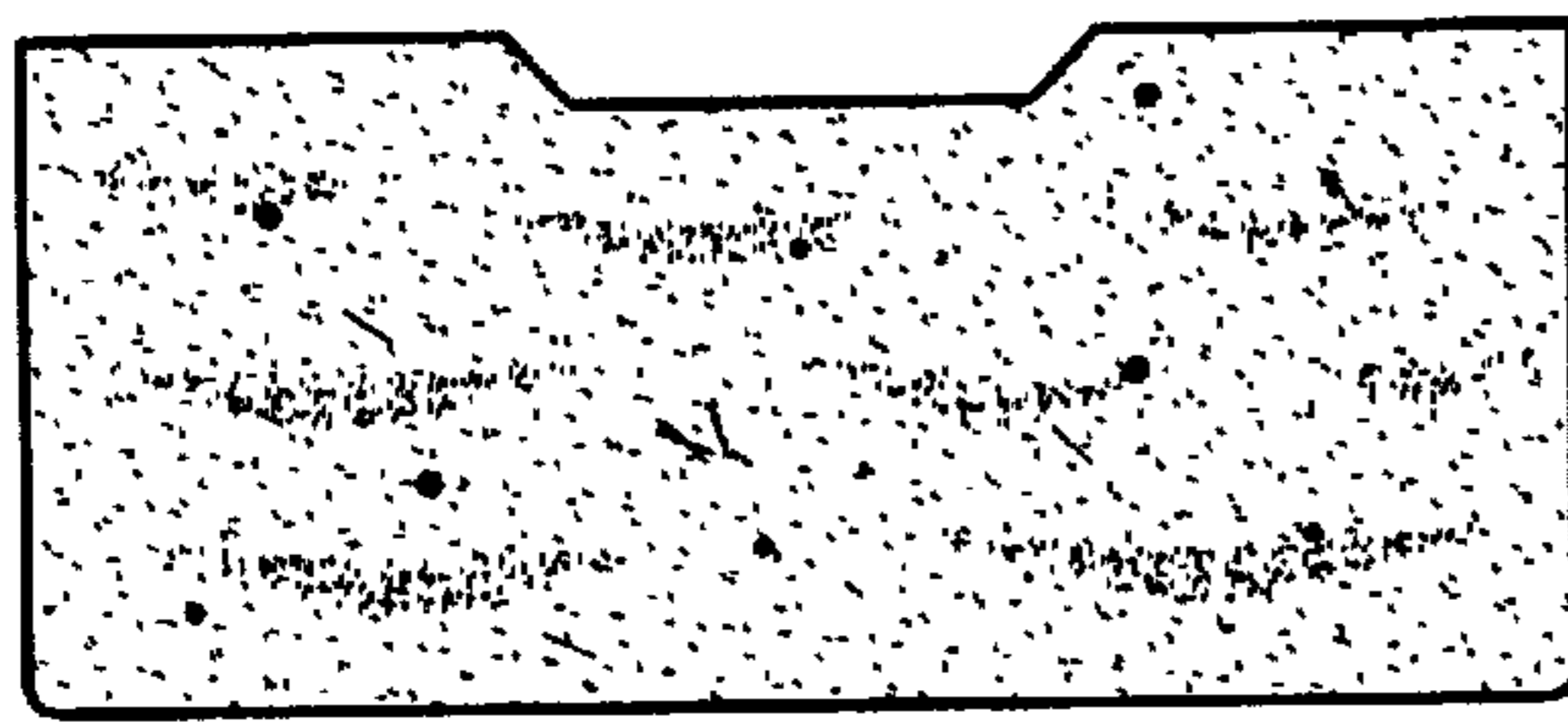


FIG. 2



FIG. 3

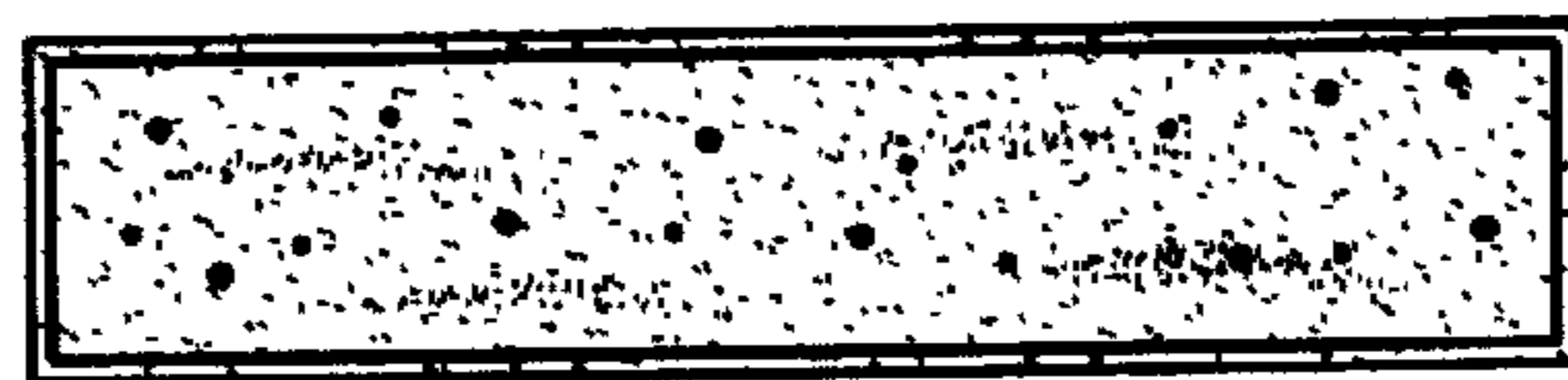


FIG. 4



FIG. 5