



US00D393134S

United States Patent [19]

Mariano

[11] Patent Number: Des. 393,134

[45] Date of Patent: **Mar. 31, 1998

[54] FORKLIFT TRUCK

[75] Inventor: **Dino Anthony Mariano**, Pittsburgh, Pa.

[73] Assignees: **Daewoo Heavy Industries Ltd.**,
Incheon, Rep. of Korea; **Daewoo
Equipment Corporation**, Warrensville
Heights, Ohio

D. 371,669	7/1996	Yoon	D34/34
3,786,902	1/1974	Ramsey	187/227
4,750,752	6/1988	Furuta	D12/1 X
4,770,428	9/1988	Sugiyama	D34/28
5,184,699	2/1993	Aoki	187/224
5,524,721	6/1996	Yamauchi	187/222 X

Primary Examiner—Nelson C. Holtje
Attorney, Agent, or Firm—Lowe, Price, LeBlanc & Becker

[**] Term: 14 Years

[57] CLAIM

[21] Appl. No.: 63,607

The ornamental design for a forklift truck, as shown.

[22] Filed: Dec. 11, 1996

DESCRIPTION

[51] LOC (6) Cl. 12-05

[52] U.S. Cl. D34/34; D34/28

[58] Field of Search D12/14; 187/222-237;
44/631-638; D34/28, 34

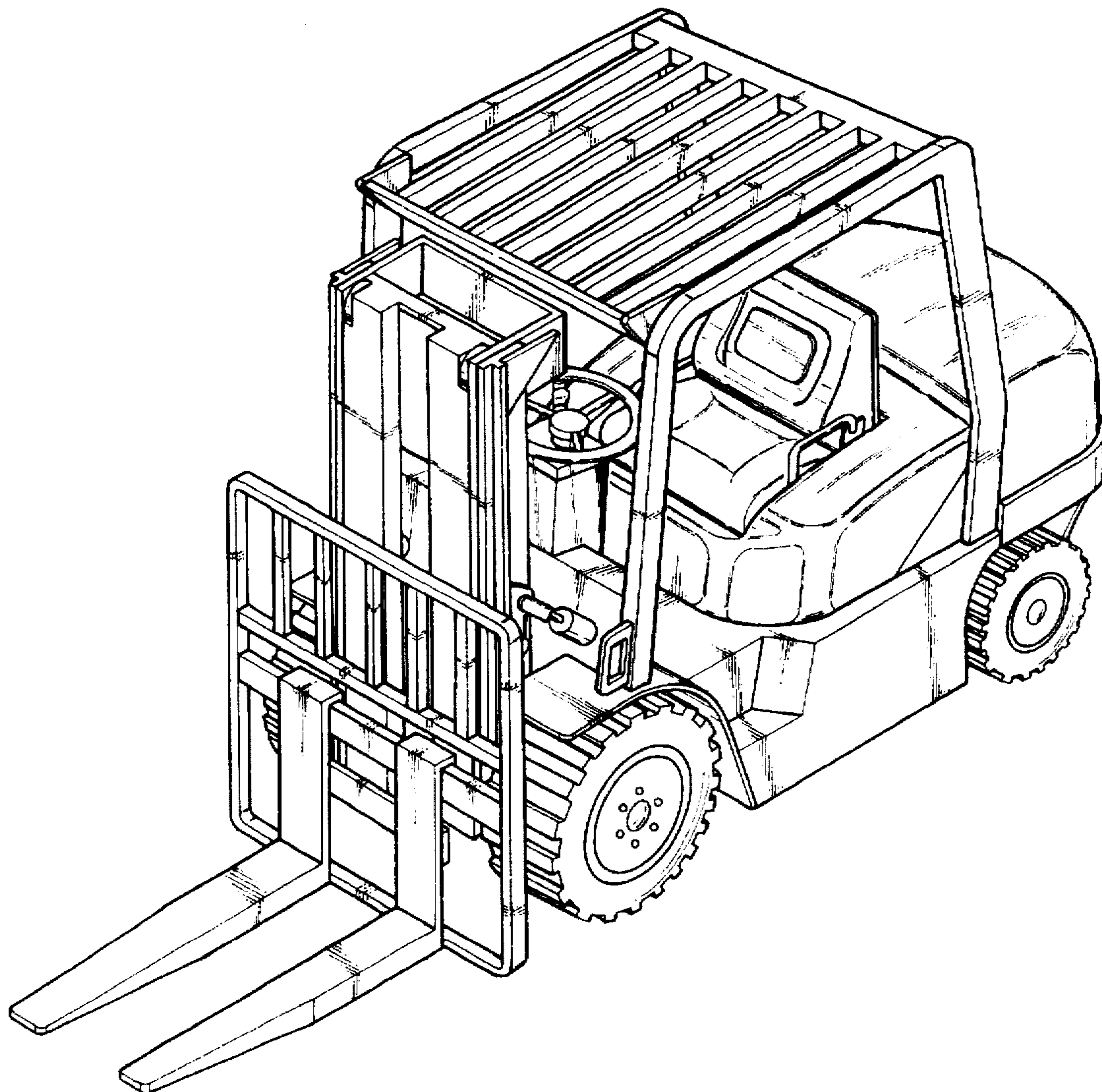
FIG. 1 is a perspective view of a forklift truck according to my new design;
FIG. 2 is a front elevational view thereof;
FIG. 3 is a rear elevational view thereof;
FIG. 4 is a left side elevational view thereof;
FIG. 5 is a right side elevational view thereof;
FIG. 6 is a top plan view thereof; and,
FIG. 7 is a bottom plan view thereof.

[56] References Cited

U.S. PATENT DOCUMENTS

D. 356,201 3/1995 Sato D34/28

1 Claim, 7 Drawing Sheets



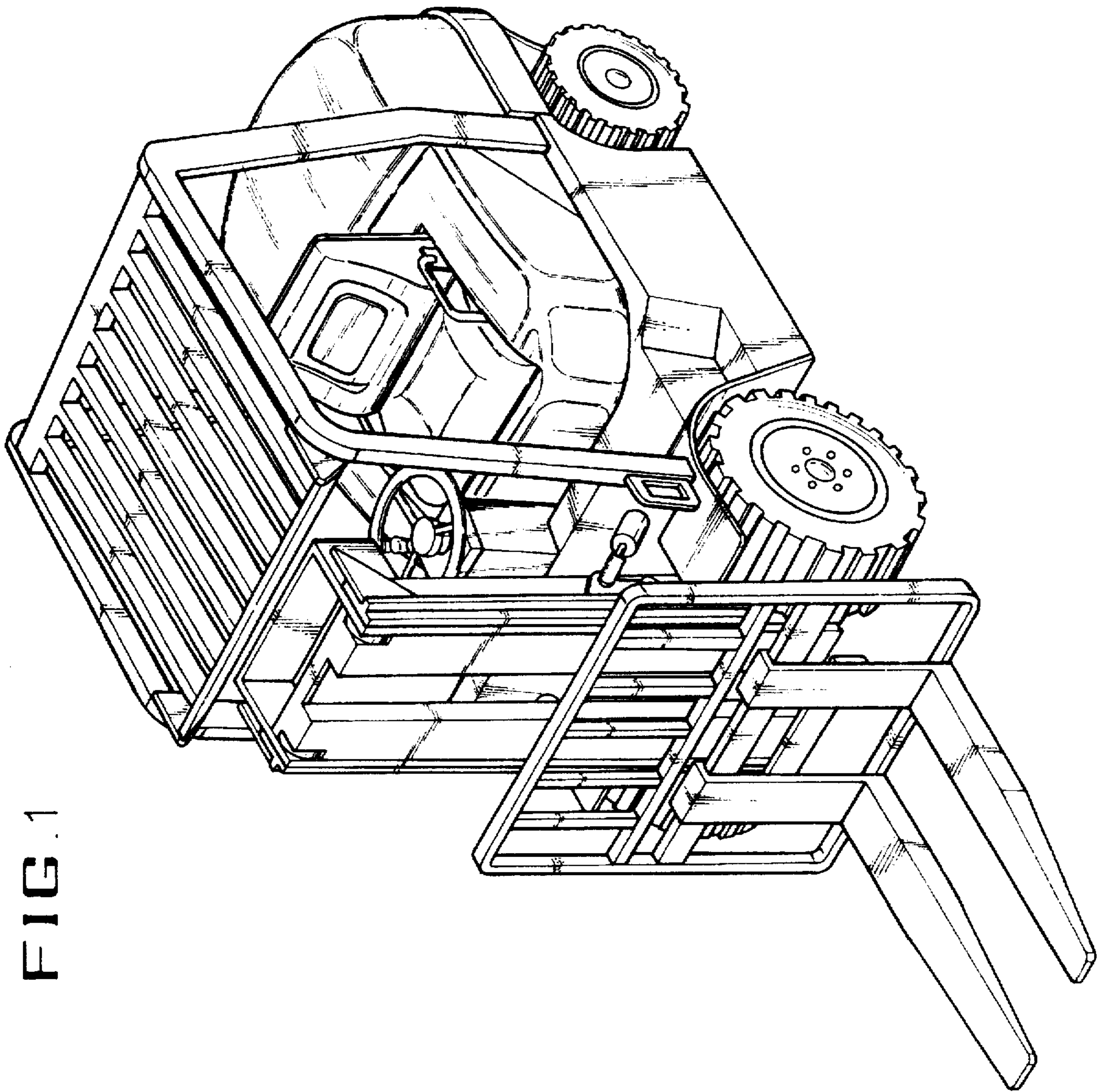


FIG. 1

FIG. 2

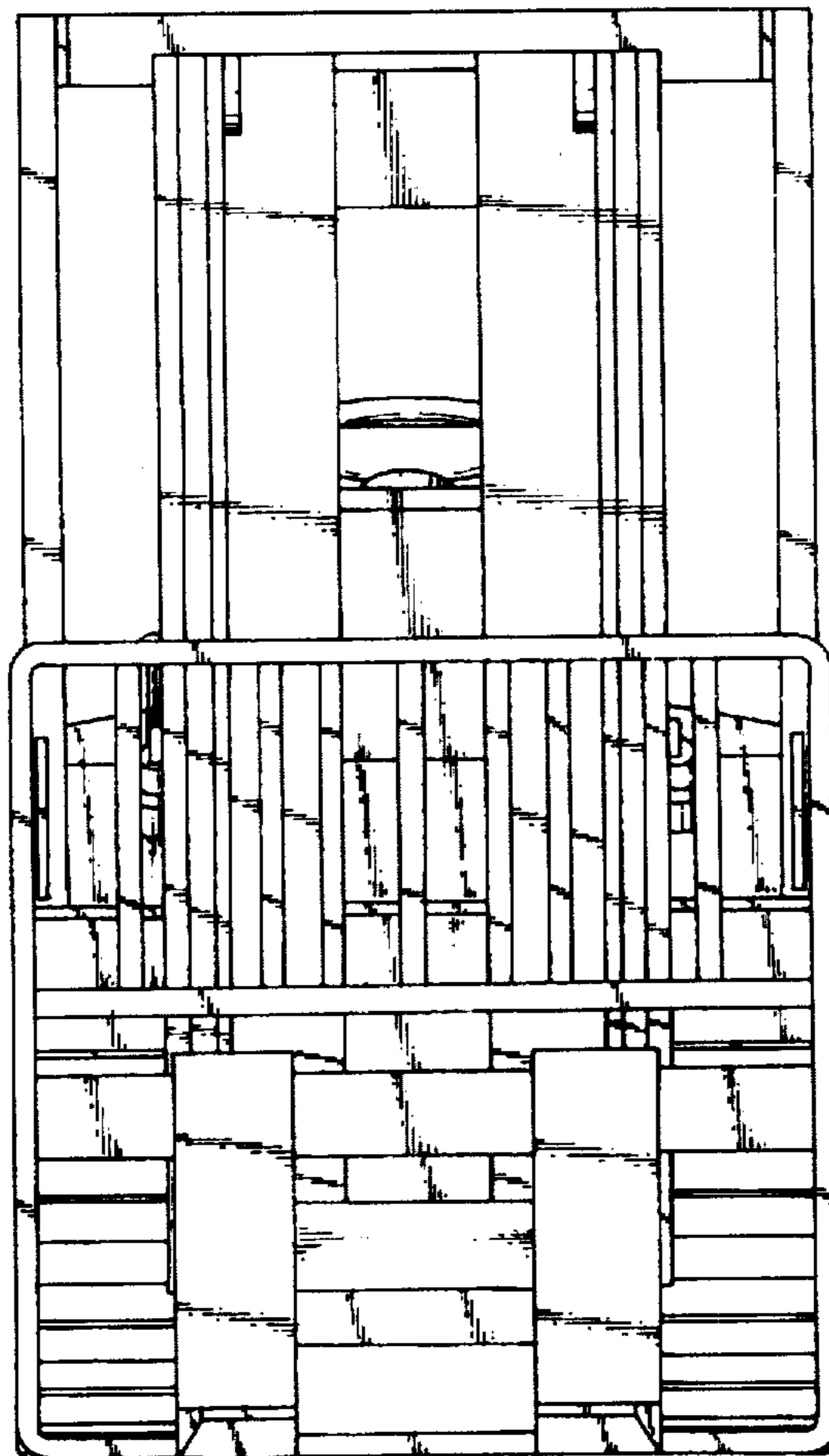


FIG. 3

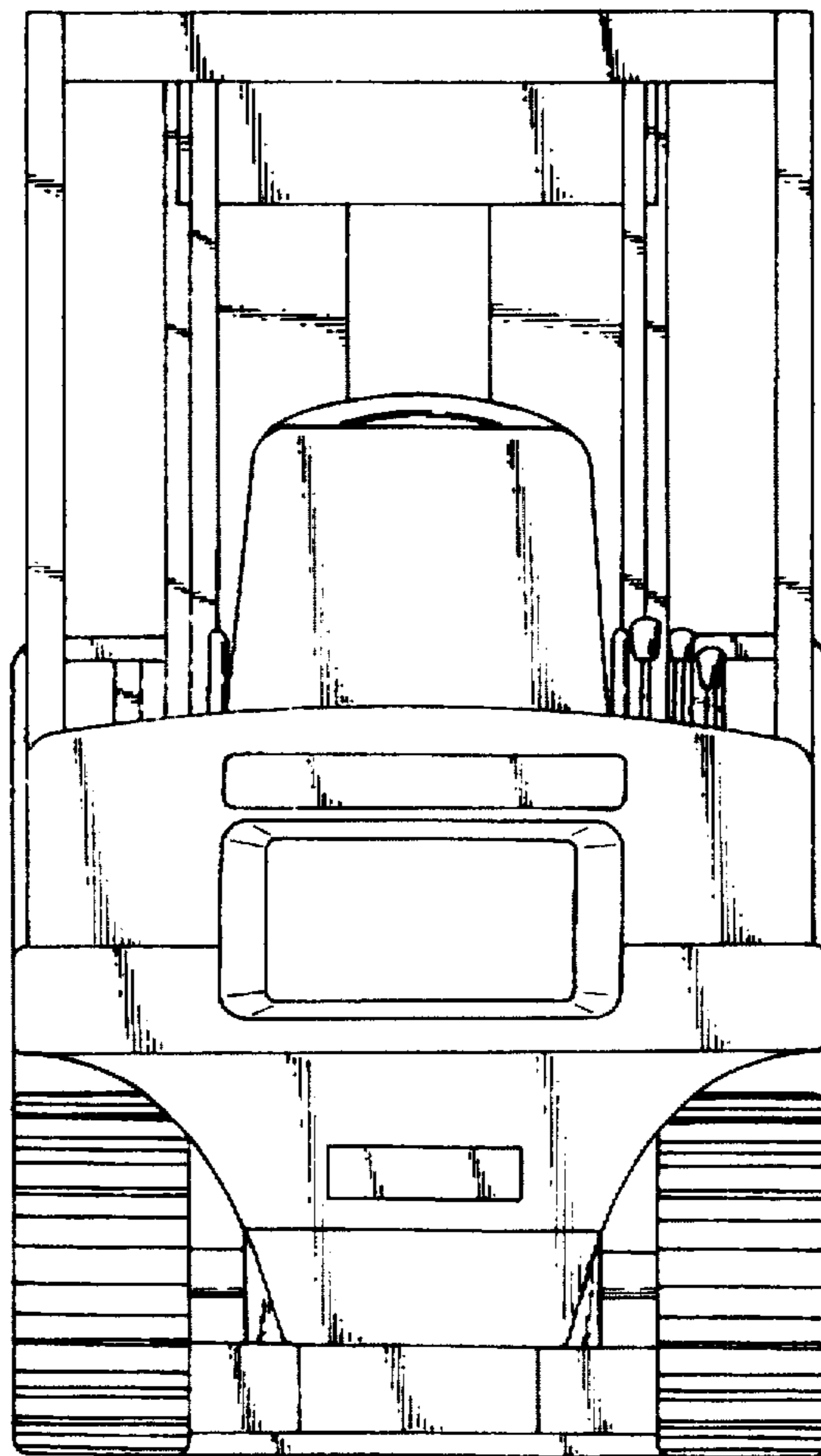


FIG. 4

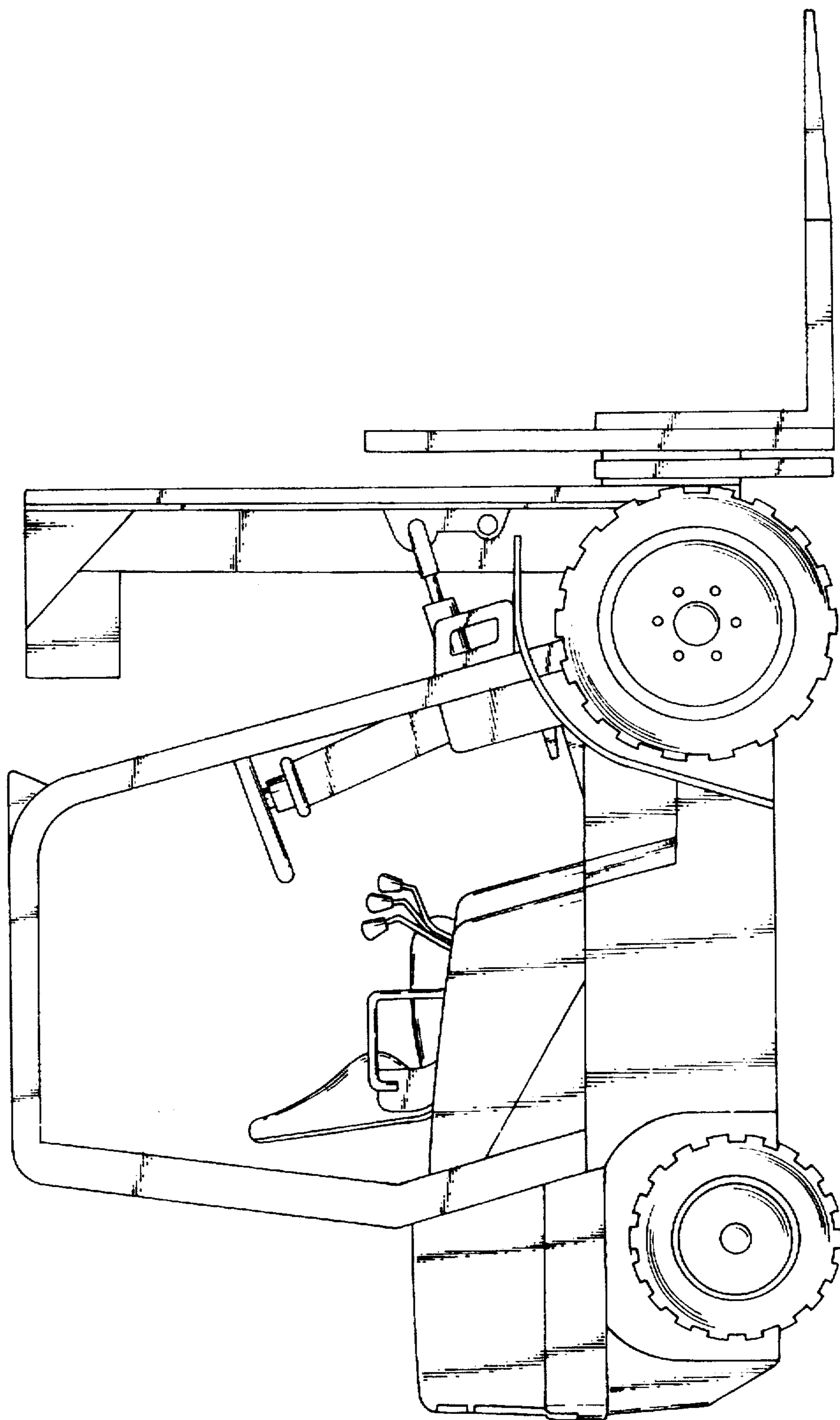


FIG. 5

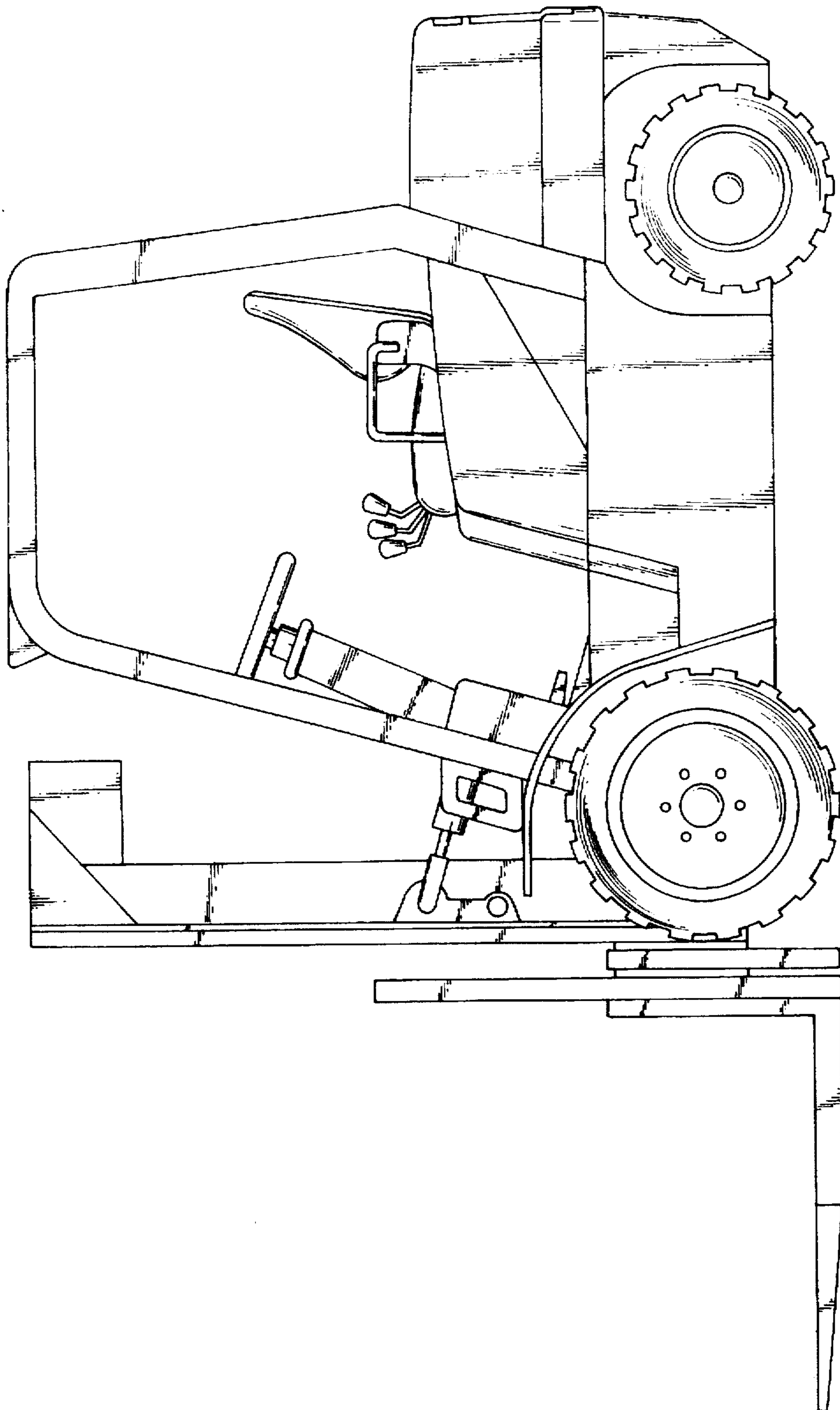


FIG. 6

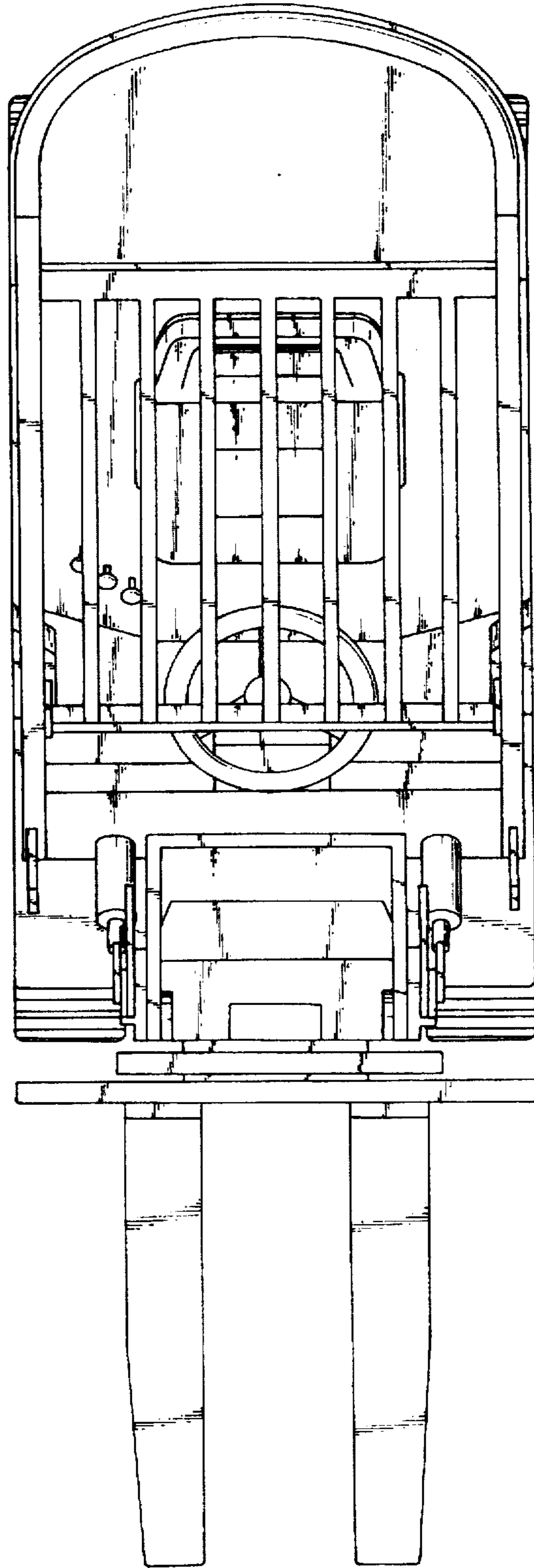


FIG. 7

