



US00D393132S

United States Patent [19] Baker

[11] Patent Number: Des. 393,132
[45] Date of Patent: **Mar. 31, 1998

[54] **ADJUSTABLE COOLER CADDIE**
[76] Inventor: **Tom L. Baker**, 103 S. King St., E. Flat Rock, N.C. 28726
[**] Term: **14 Years**
[21] Appl. No.: **64,985**
[22] Filed: **Jan. 16, 1997**
[51] LOC (6) Cl. **12-02**
[52] U.S. Cl. **D34/27; D8/370**
[58] Field of Search **D34/27; 280/DIG. 6, 280/304.5; 248/213, 121, 218.4, 227.1, 227.3, 219.1, 301, 303, 304, 311.2, 339, 914; 224/274, 42.18; D8/380; 211/81, 113, 116**

5,193,842 3/1993 Fontenot 280/645
5,409,154 4/1995 Blount 224/274
5,419,478 5/1995 Mauro et al. 224/276
5,433,361 7/1995 O'Malley 224/274

Primary Examiner—Susan J. Lucas
Assistant Examiner—Cynthia E. Ramirez
Attorney, Agent, or Firm—Adams Law Firm, P.A.

[57] CLAIM

The ornamental design for a adjustable cooler caddie, as shown and described.

DESCRIPTION

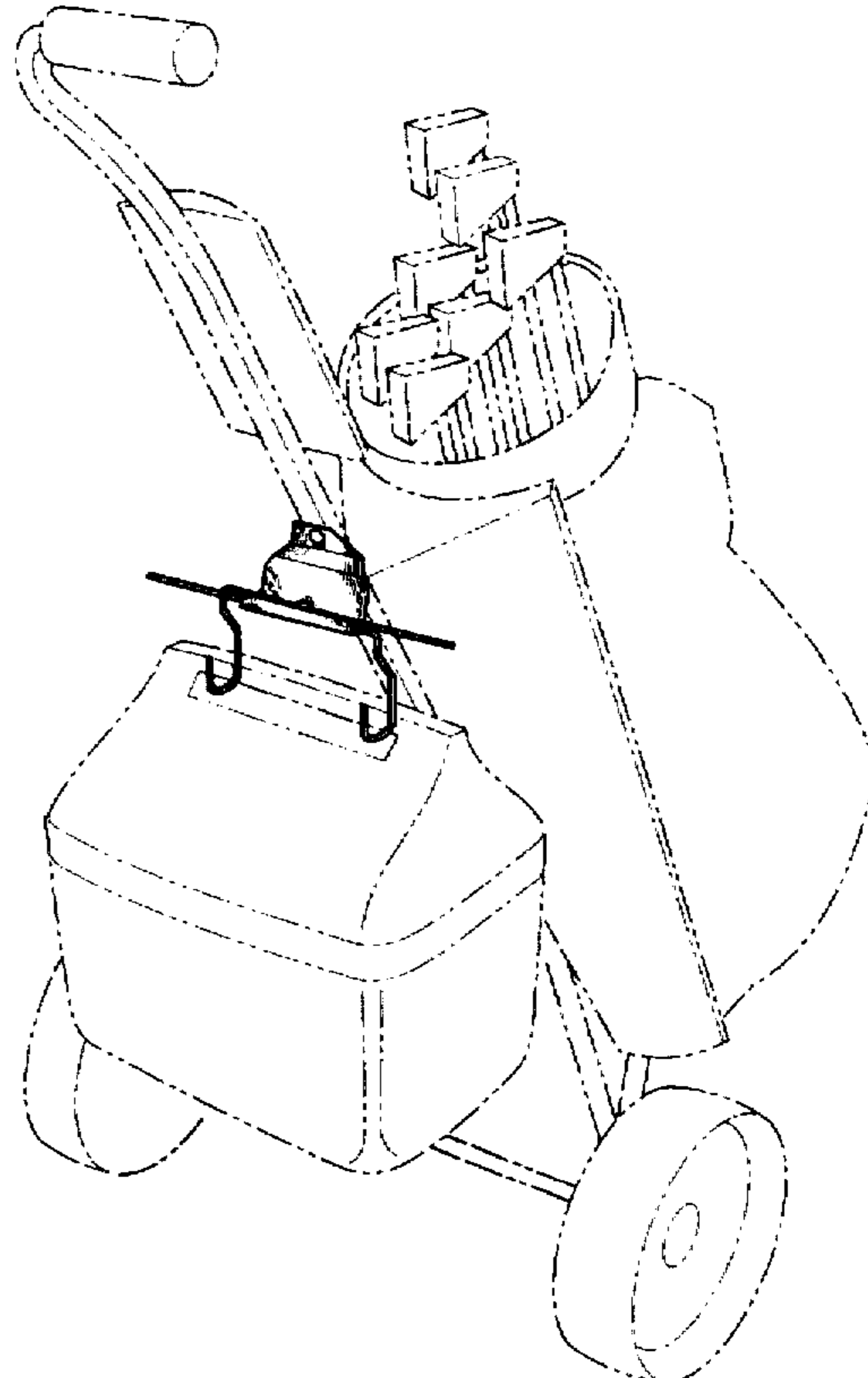
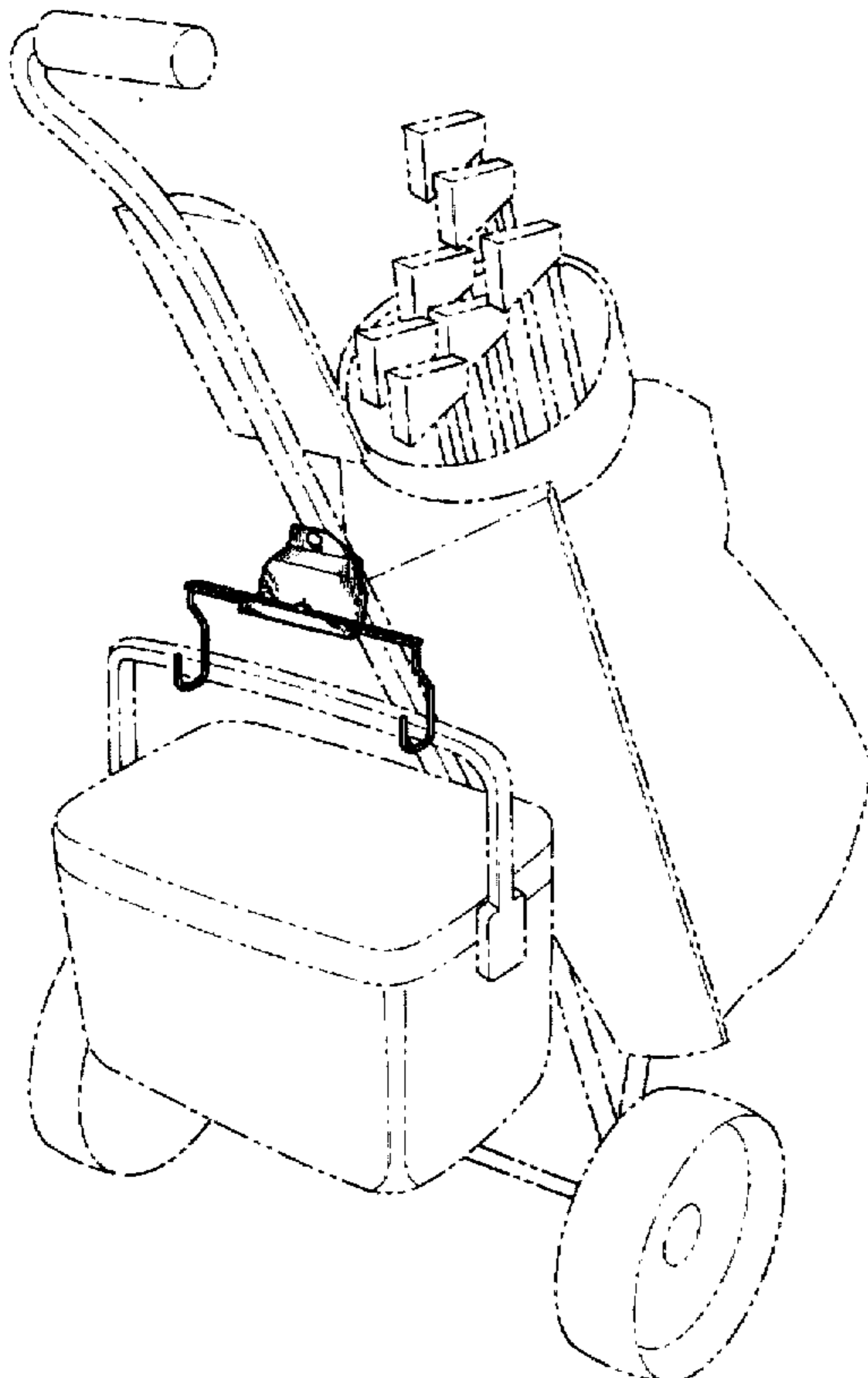
FIG. 1 is an environmental perspective view of the adjustable cooler caddie secured to a pull-type golf cart and carrying a relatively large cooler, the golf cart and cooler forming no part of the claimed design;
FIG. 2 is a second environmental perspective view of the adjustable cooler caddie in an alternate position secured to a pull-type golf cart and carrying a relatively small cooler, the golf cart and cooler forming no part of the claimed design;
FIG. 3 is a front elevational view of the adjustable cooler caddie;
FIG. 4 is a rear elevational view thereof;
FIG. 5 is a left side elevational view thereof;
FIG. 6 is a right side elevational view thereof;
FIG. 7 is a top plan view thereof; and,
FIG. 8 is a bottom plan view thereof.

[56] References Cited

U.S. PATENT DOCUMENTS

D. 205,775	9/1966	Gingher	D8/370 X
D. 286,931	11/1986	Conklin	D34/27
D. 293,204	12/1987	Trubiano	D8/380
D. 310,593	9/1990	Lamarche	D34/27
D. 344,868	3/1994	Martinell	D6/552
790,337	5/1905	Adams	.	
1,376,546	5/1921	Jeep	248/304
1,559,783	11/1925	Rose et al.	.	
4,101,107	7/1978	Antoszewski	248/218.4
4,550,930	11/1985	Proffit	280/655
4,889,267	12/1989	Bolton	224/274
4,989,767	2/1991	Buschbom	224/274

1 Claim, 5 Drawing Sheets



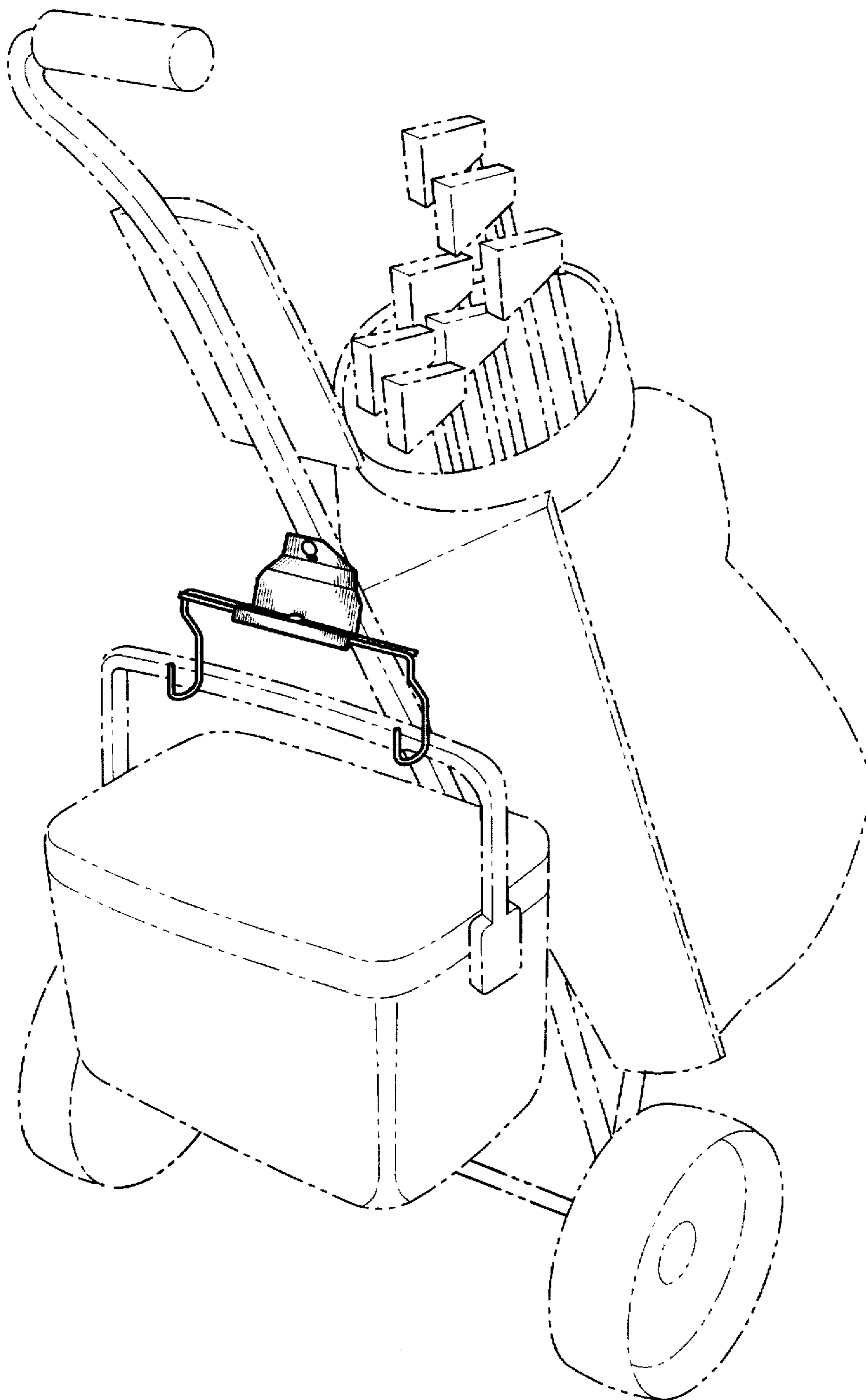


Fig. 1

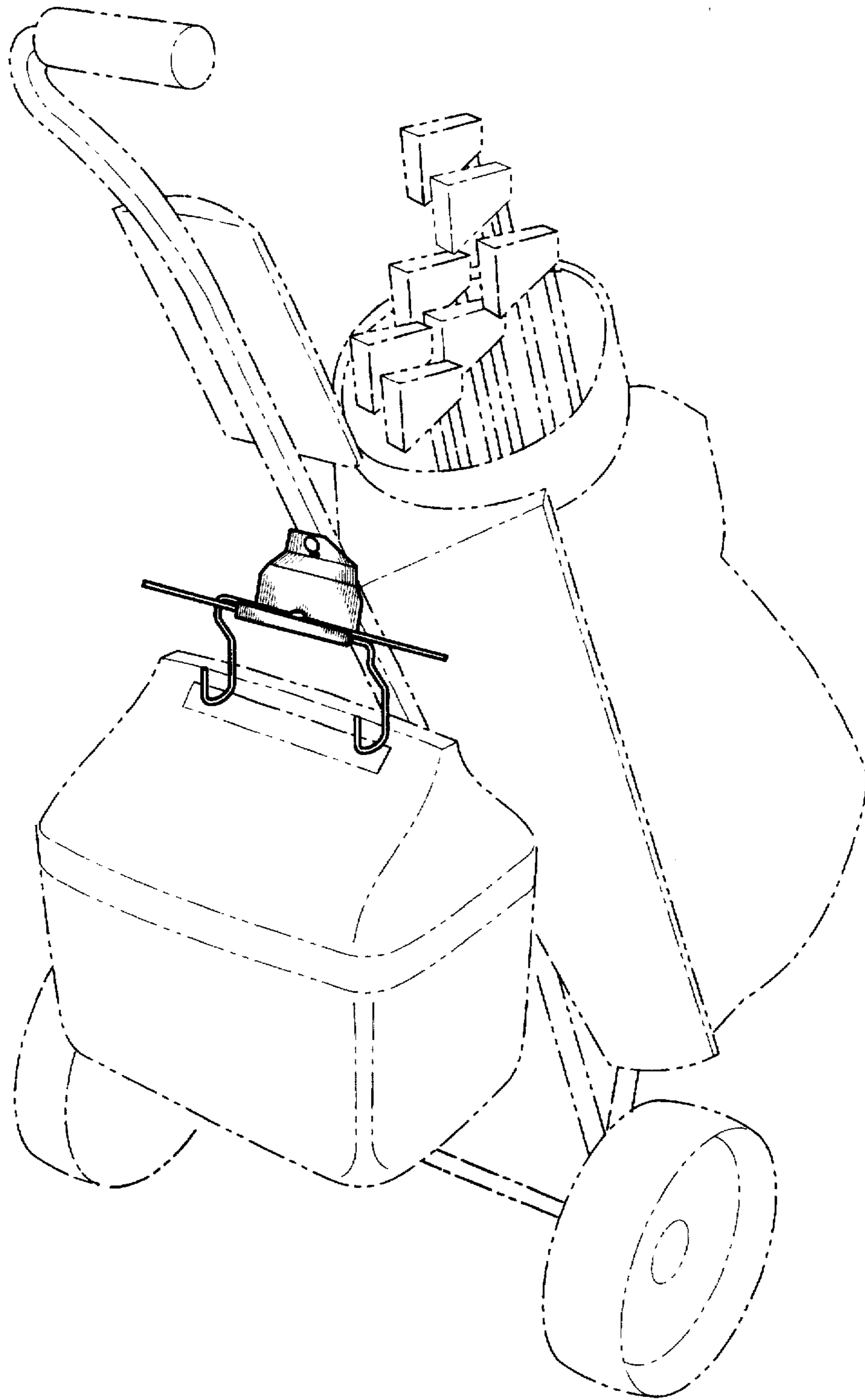


Fig. 2

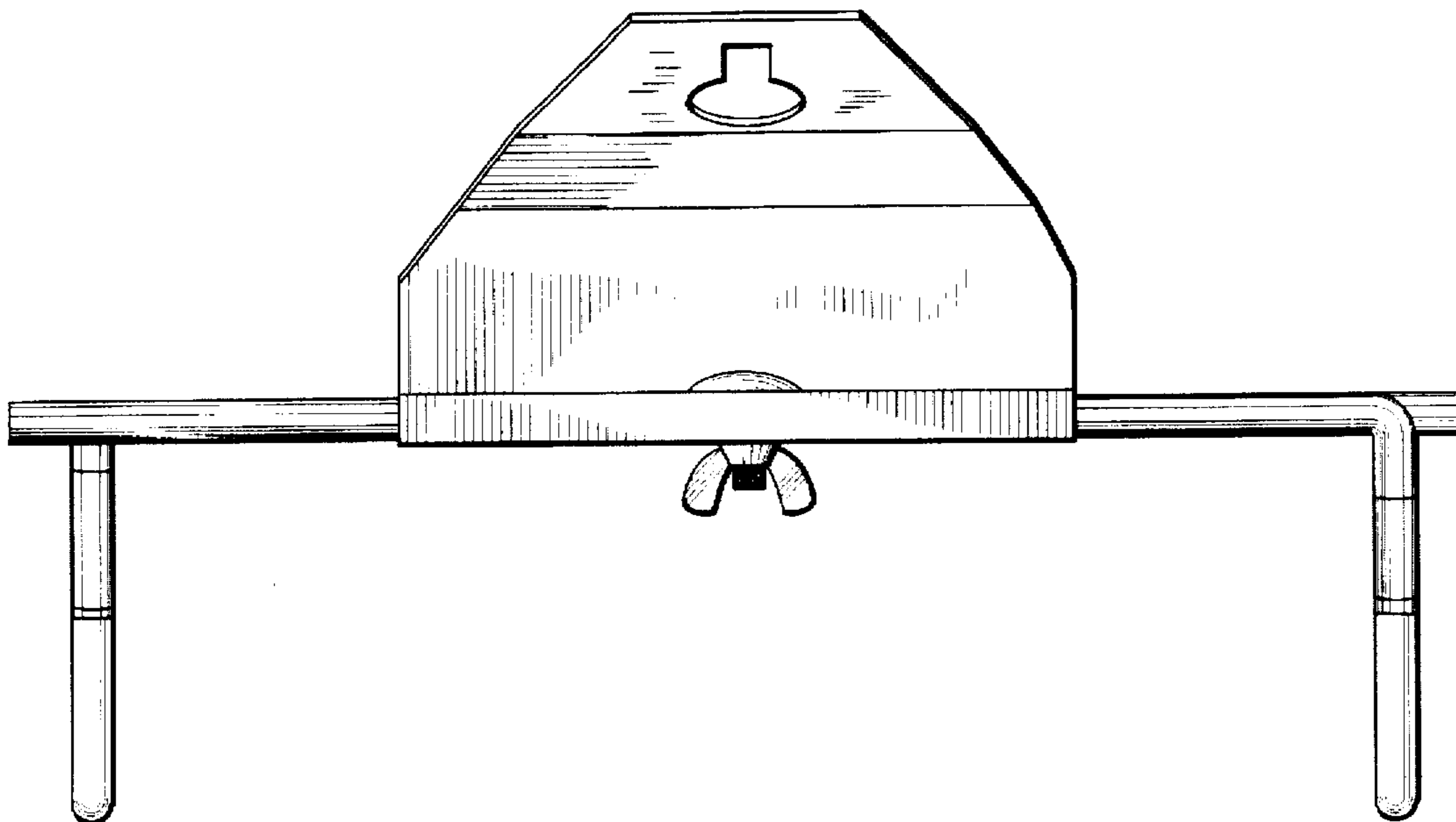


Fig. 3

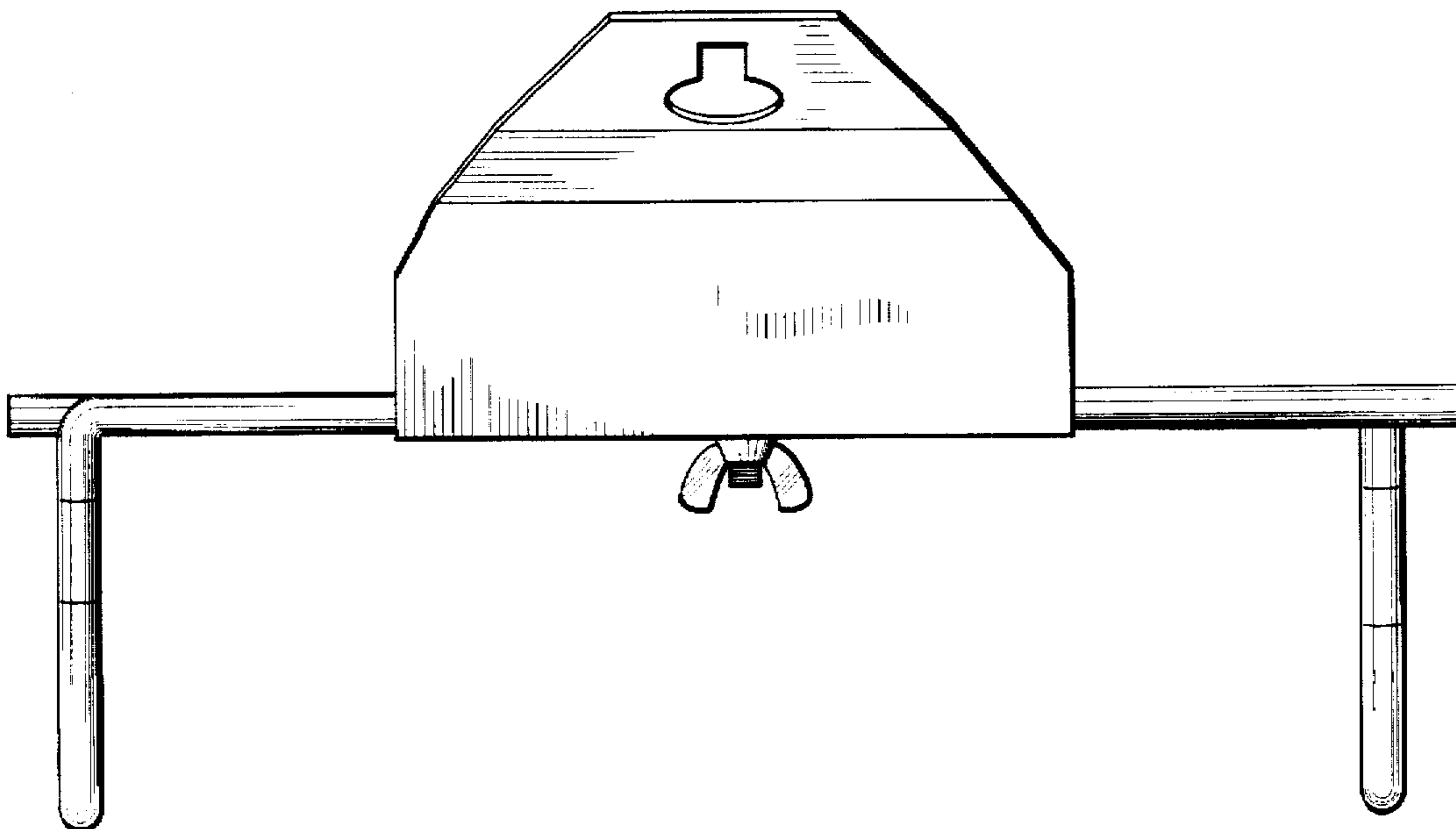


Fig. 4

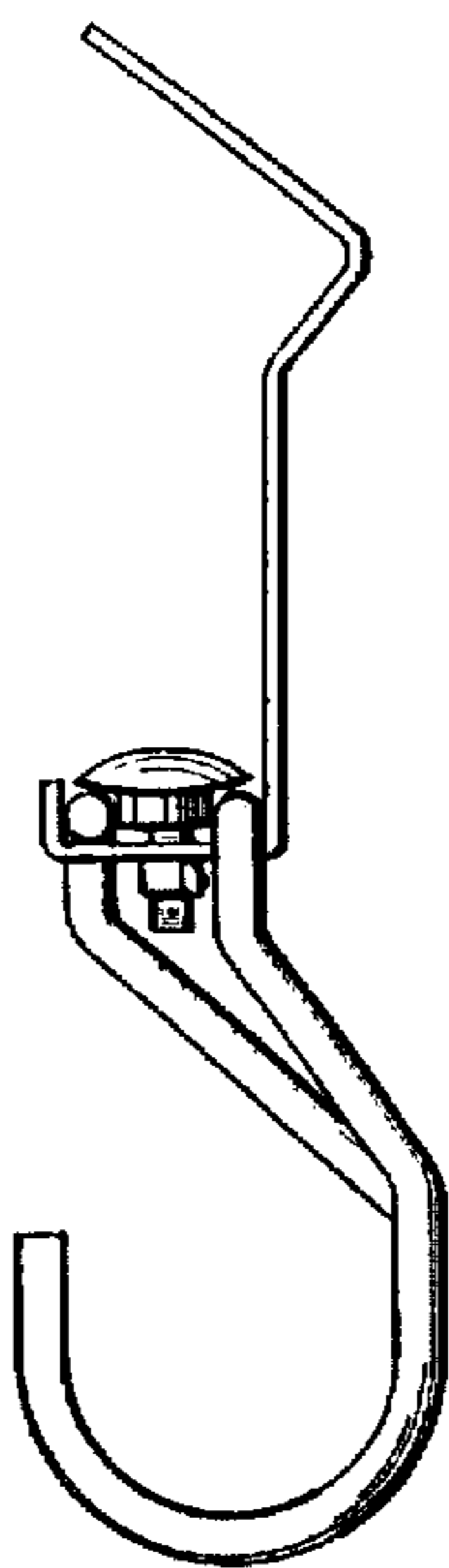


Fig. 5

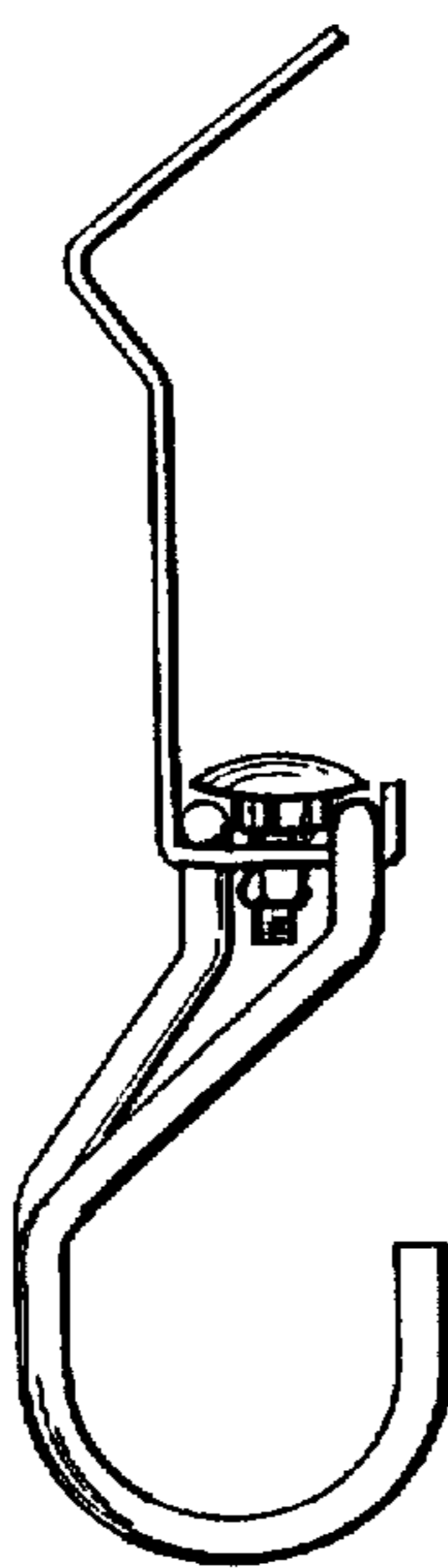


Fig. 6

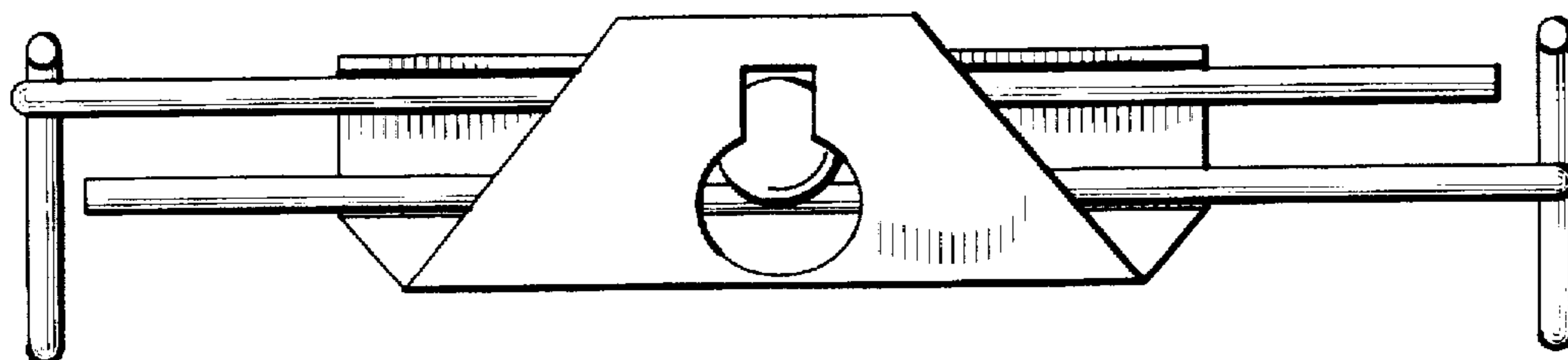


Fig. 7

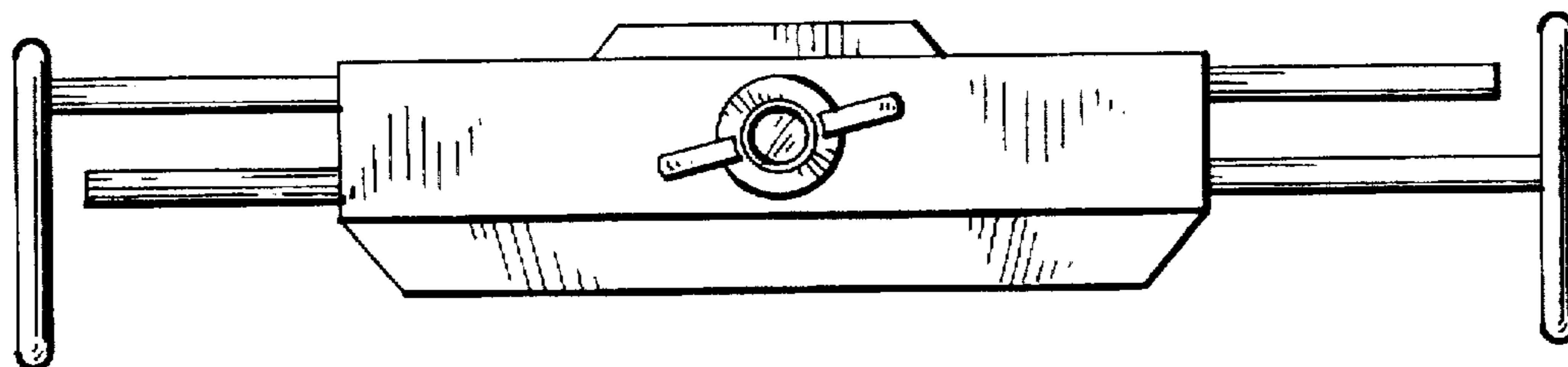


Fig. 8