

US00D393131S

United States Patent [19]
Scandalis

[11] **Patent Number:** **Des. 393,131**
[45] **Date of Patent:** ****Mar. 31, 1998**

[54] **GARDEN TOOL CADDY**

[76] **Inventor:** **William Steven Scandalis**, 1809
Hampton, Grosse Pointe Woods, Mich.
48236

[**] **Term:** **14 Years**

[21] **Appl. No.:** **68,127**

[22] **Filed:** **Apr. 15, 1997**

[51] **LOC (6) Cl.** **12-02**

[52] **U.S. Cl.** **D34/24; 280/47.26**

[58] **Field of Search** **D34/24, 12, 5-6,**
D34/7, 26; 280/47.24, 47.26, 47.33, 63;
248/95, 97, 98, 99, 907, 129, 133

[56] **References Cited**

U.S. PATENT DOCUMENTS

D. 208,299	8/1967	Clark et al.	D34/24
D. 271,718	12/1983	Johno, Jr. et al.	D34/24
318,336	5/1885	Weidner .	
D. 328,811	8/1992	Streeter	D34/24
2,704,673	3/1955	Bower .	
2,778,654	1/1957	Gotlieb .	
2,865,647	12/1958	Wilson .	
3,531,136	9/1970	Mobley	280/30
3,731,333	5/1973	Davis	15/257
4,350,366	9/1982	Helms	280/655
5,318,315	6/1994	White et al.	280/47.26
5,354,023	10/1994	Meeks	248/129
5,390,944	2/1995	Sherwin	280/47.35

Primary Examiner—Susan J. Lucas
Assistant Examiner—Cynthia E. Ramirez
Attorney, Agent, or Firm—Brooks & Kushman P.C.

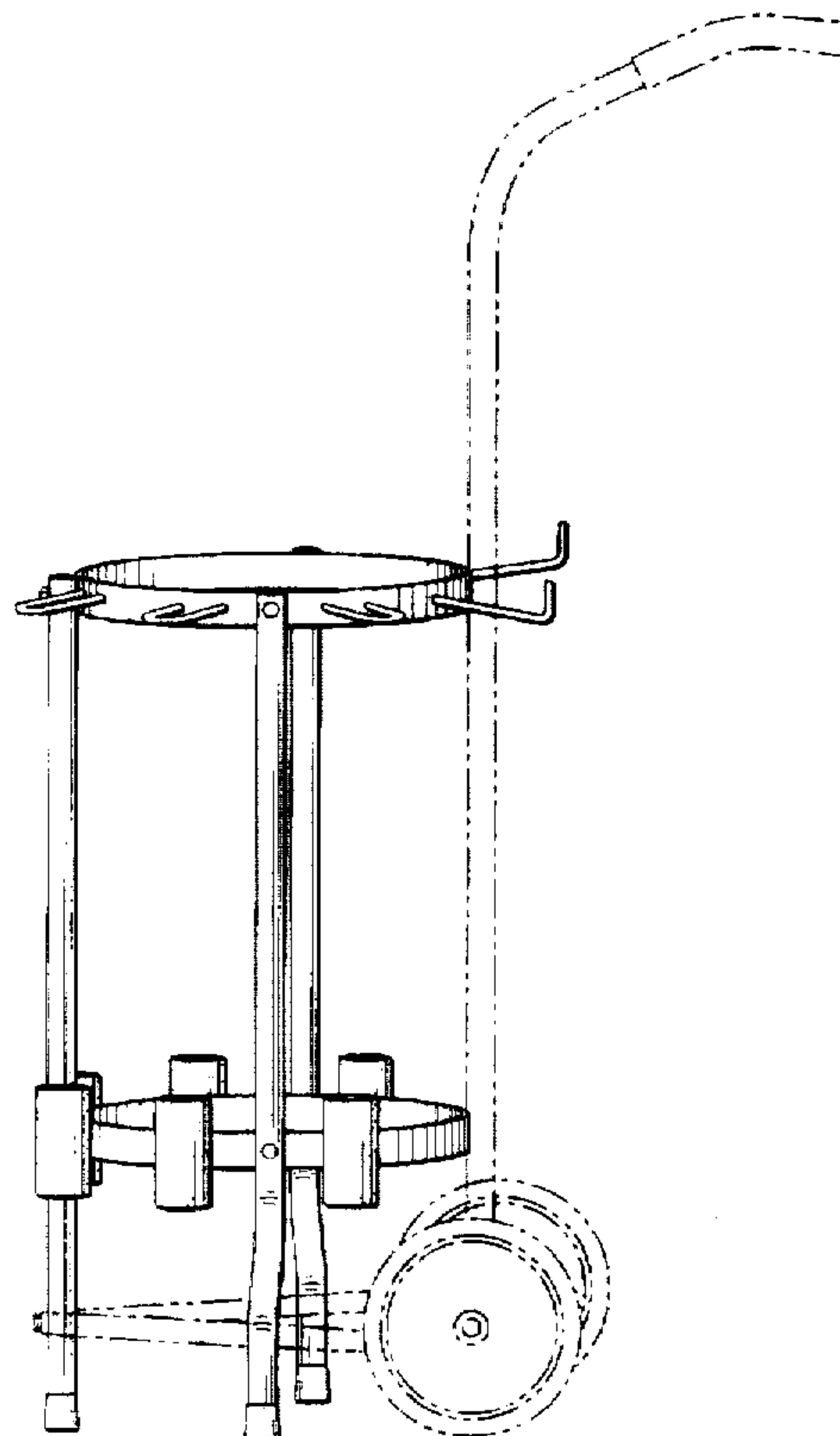
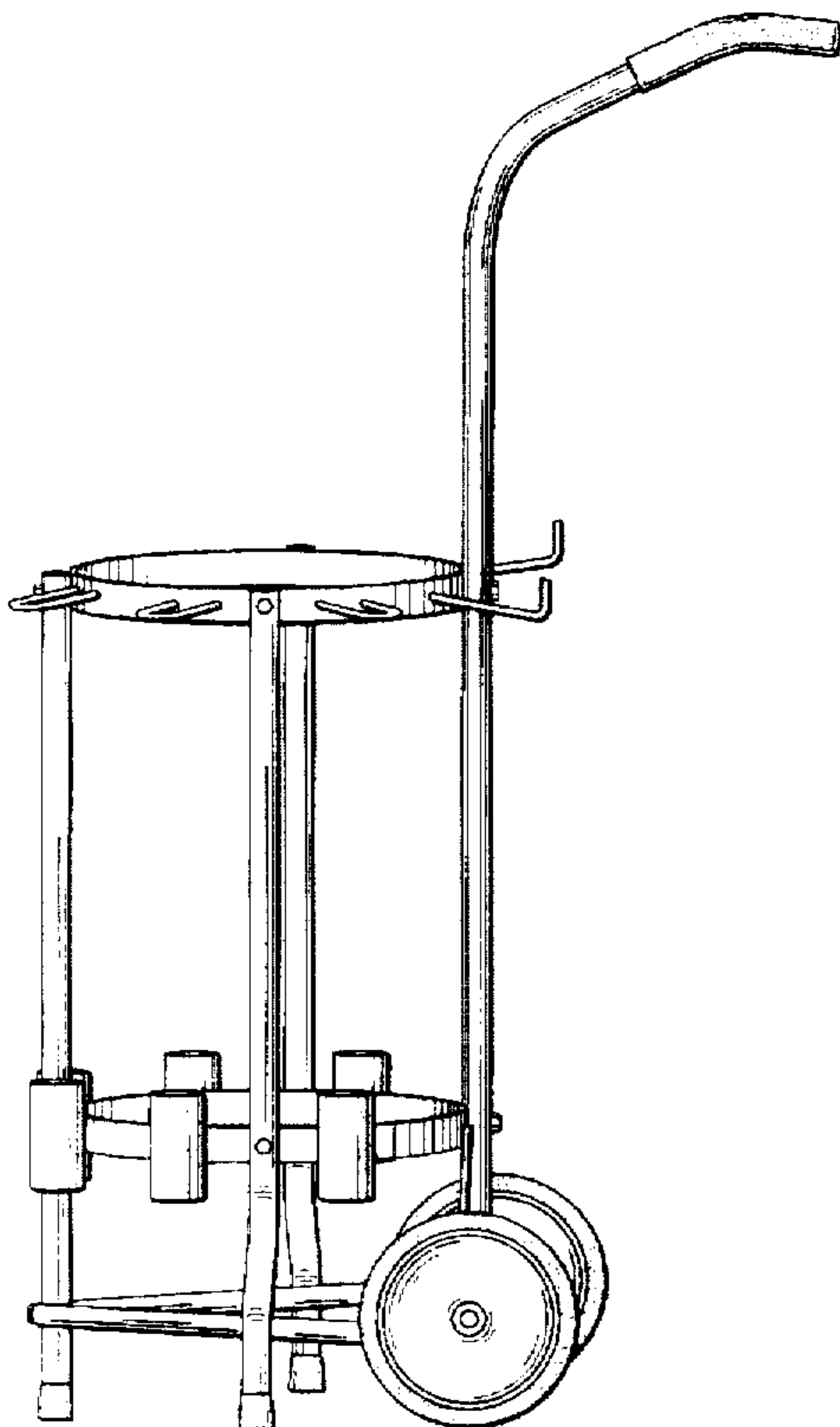
[57] **CLAIM**

The ornamental design for a garden tool caddy, as shown and described.

DESCRIPTION

FIG. 1 is a perspective view of a first embodiment of my new design;
FIG. 2 is a rear elevational view of the first embodiment;
FIG. 3 is a top plan view of the first embodiment;
FIG. 4 is a left side elevational view of the first embodiment, the right side being a mirror image thereof;
FIG. 5 is a bottom plan view of the first embodiment;
FIG. 6 is a front elevational view of the first embodiment;
FIG. 7 is a perspective view of a second embodiment of my new design;
FIG. 8 is a rear elevational view of the second embodiment;
FIG. 9 is a top plan view of the second embodiment;
FIG. 10 is a left side elevational view of the second embodiment, the right side being a mirror image thereof;
FIG. 11 is a bottom plan view of the second embodiment; and,
FIG. 12 is a front elevational view of the second embodiment.
The broken line showing of the handle and wheels in FIGS. 7-12 is for illustrative purposes only and forms no part of the claimed design.

1 Claim, 6 Drawing Sheets



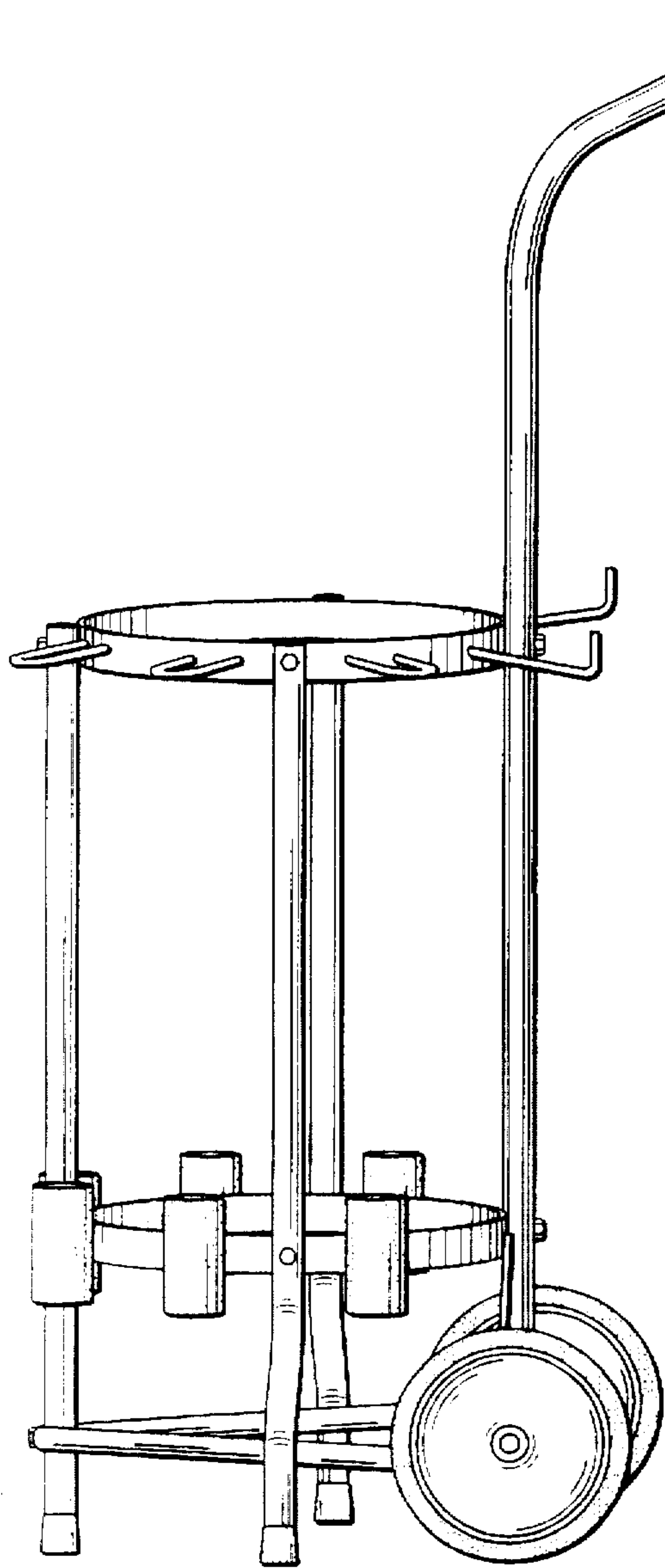


Fig. 1

Fig. 2

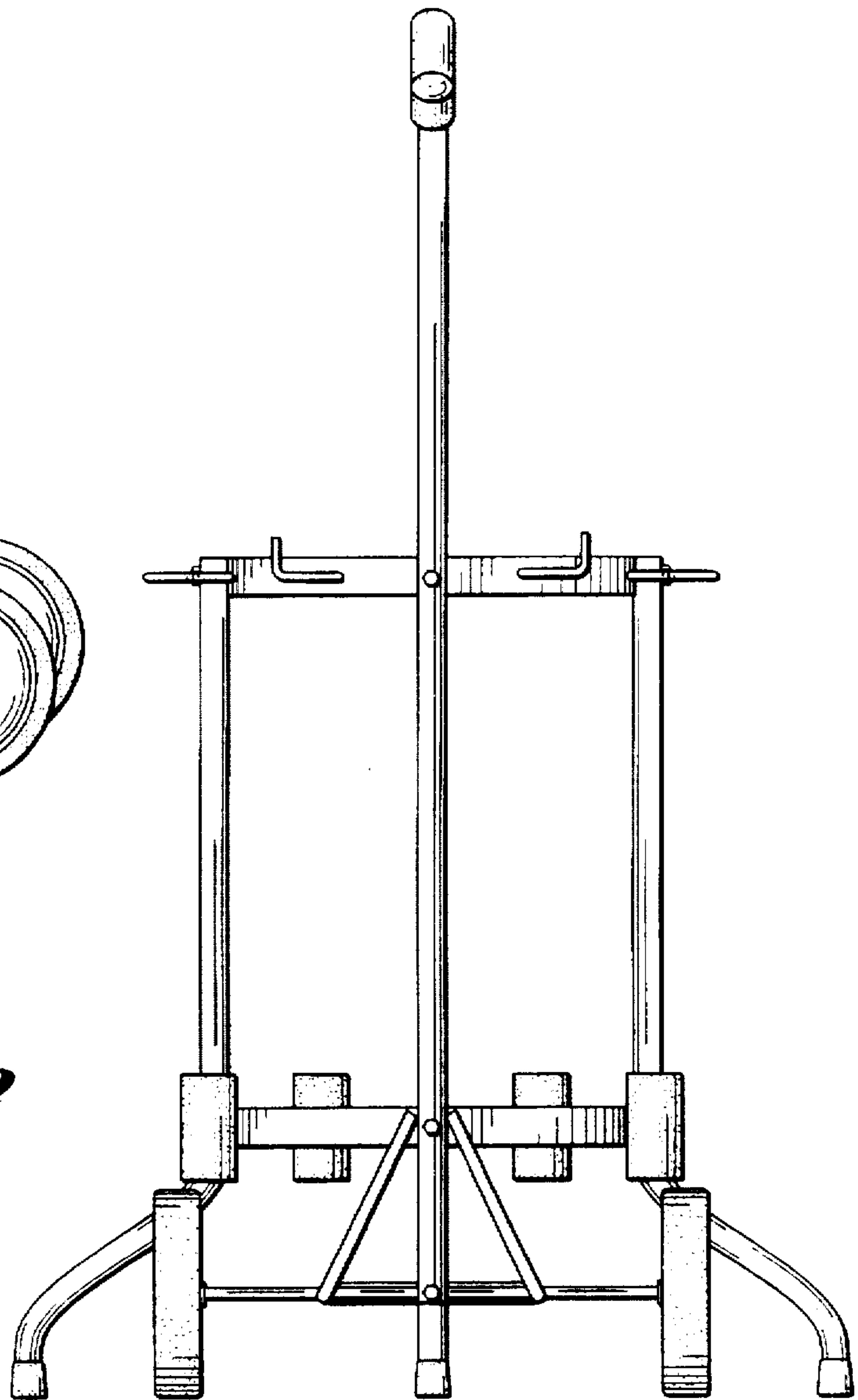


Fig. 3

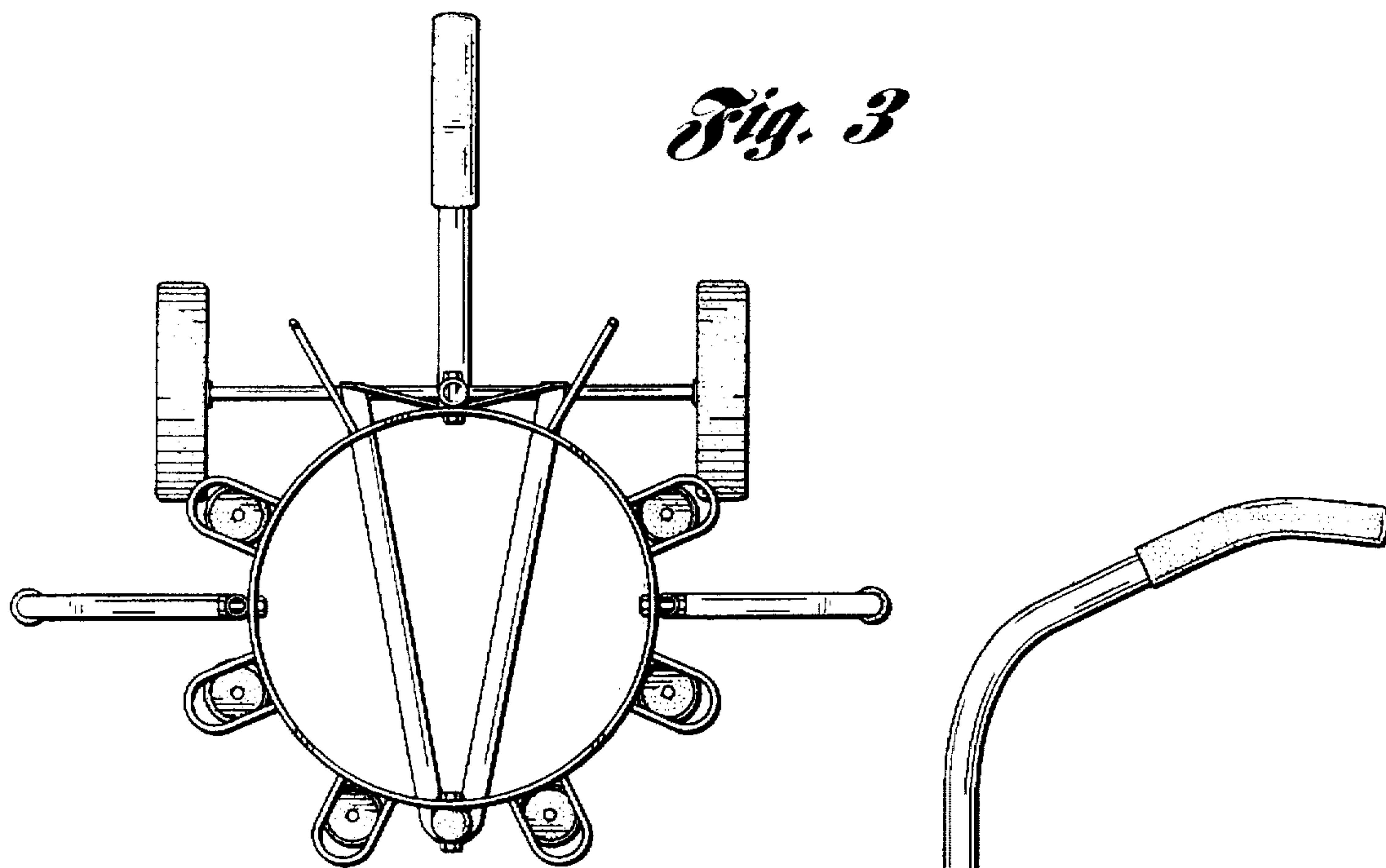
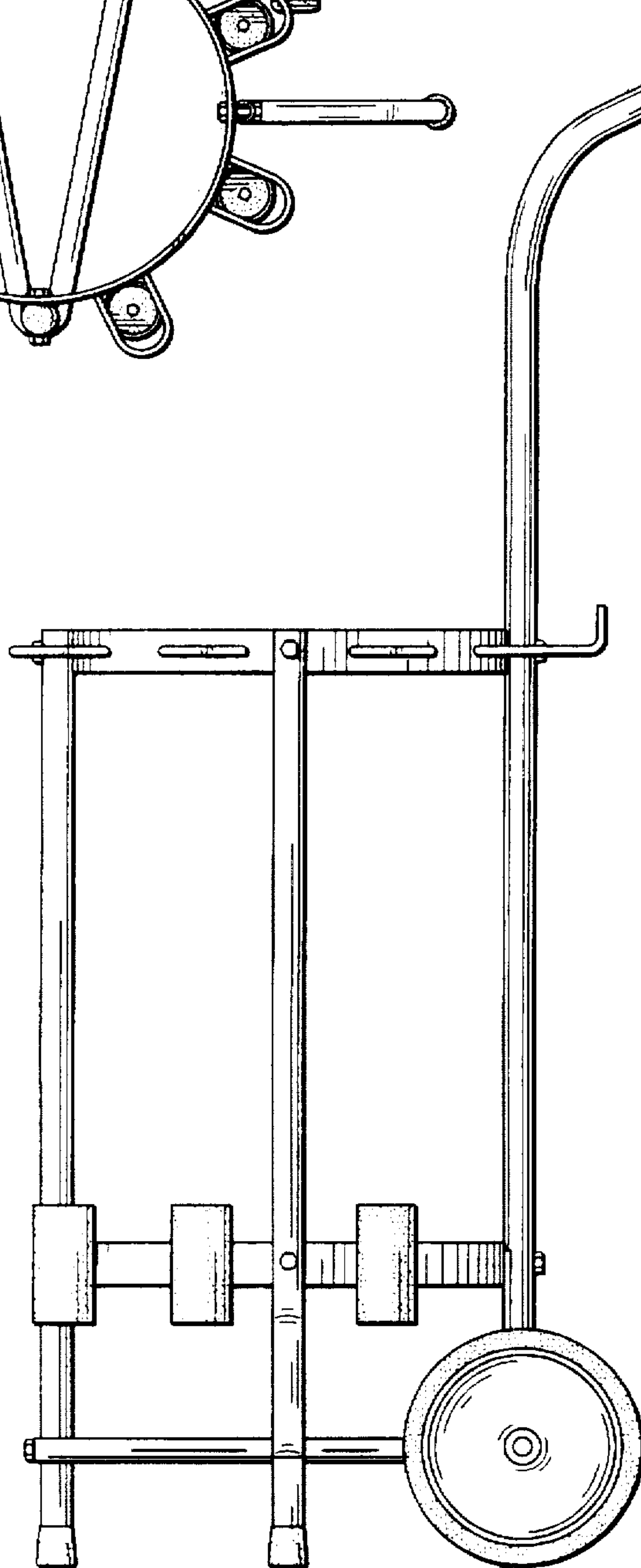


Fig. 4



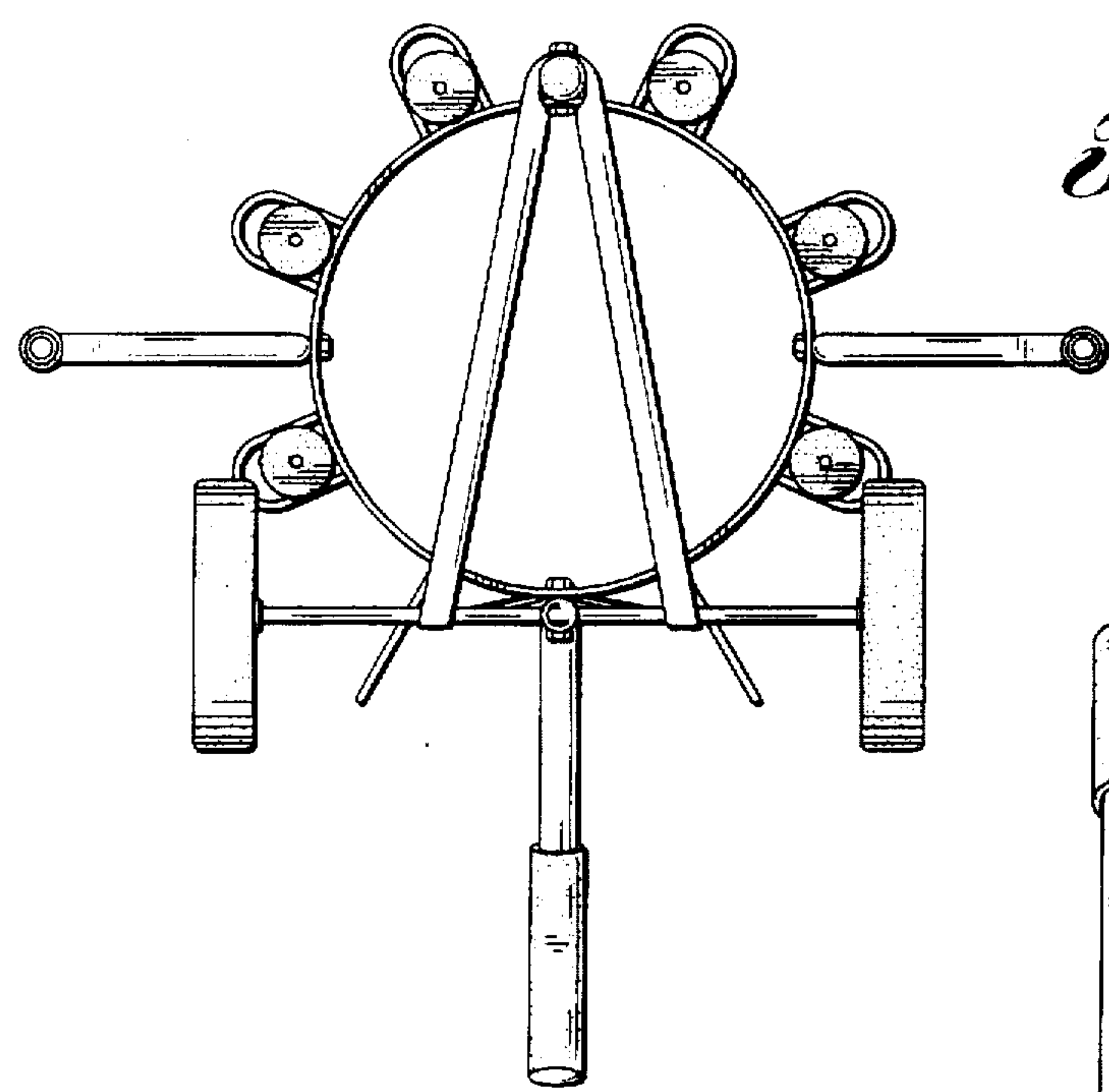
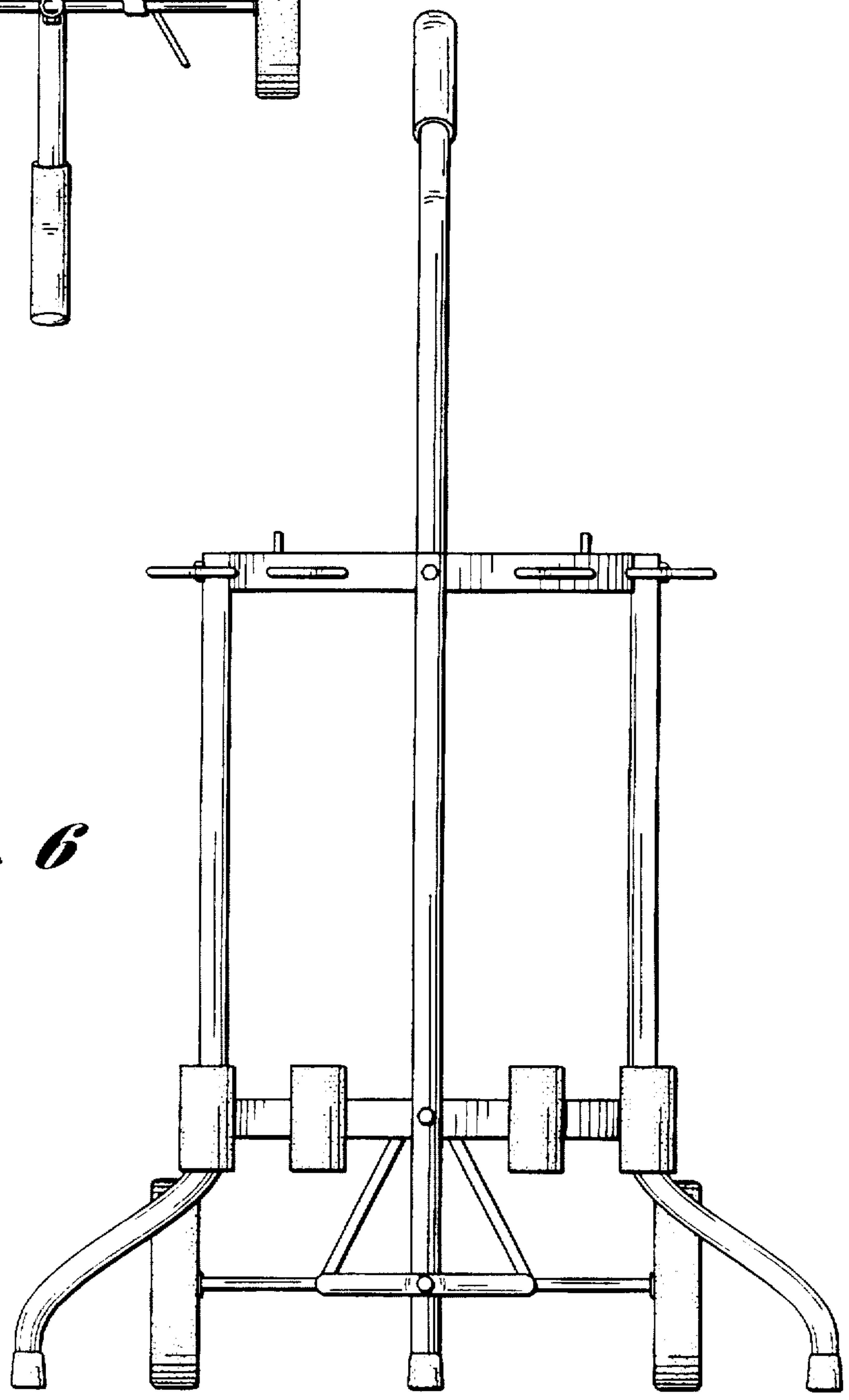


Fig. 5

Fig. 6



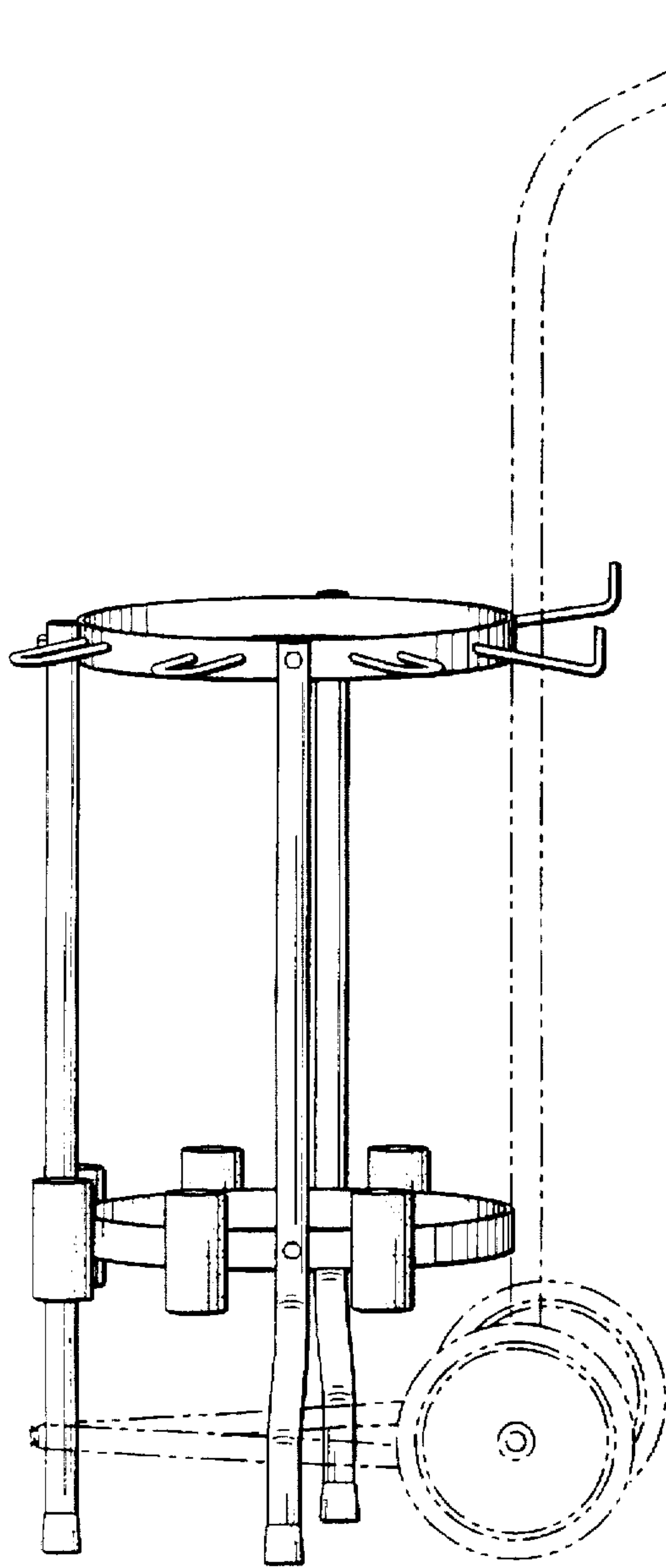


Fig. 7

Fig. 8

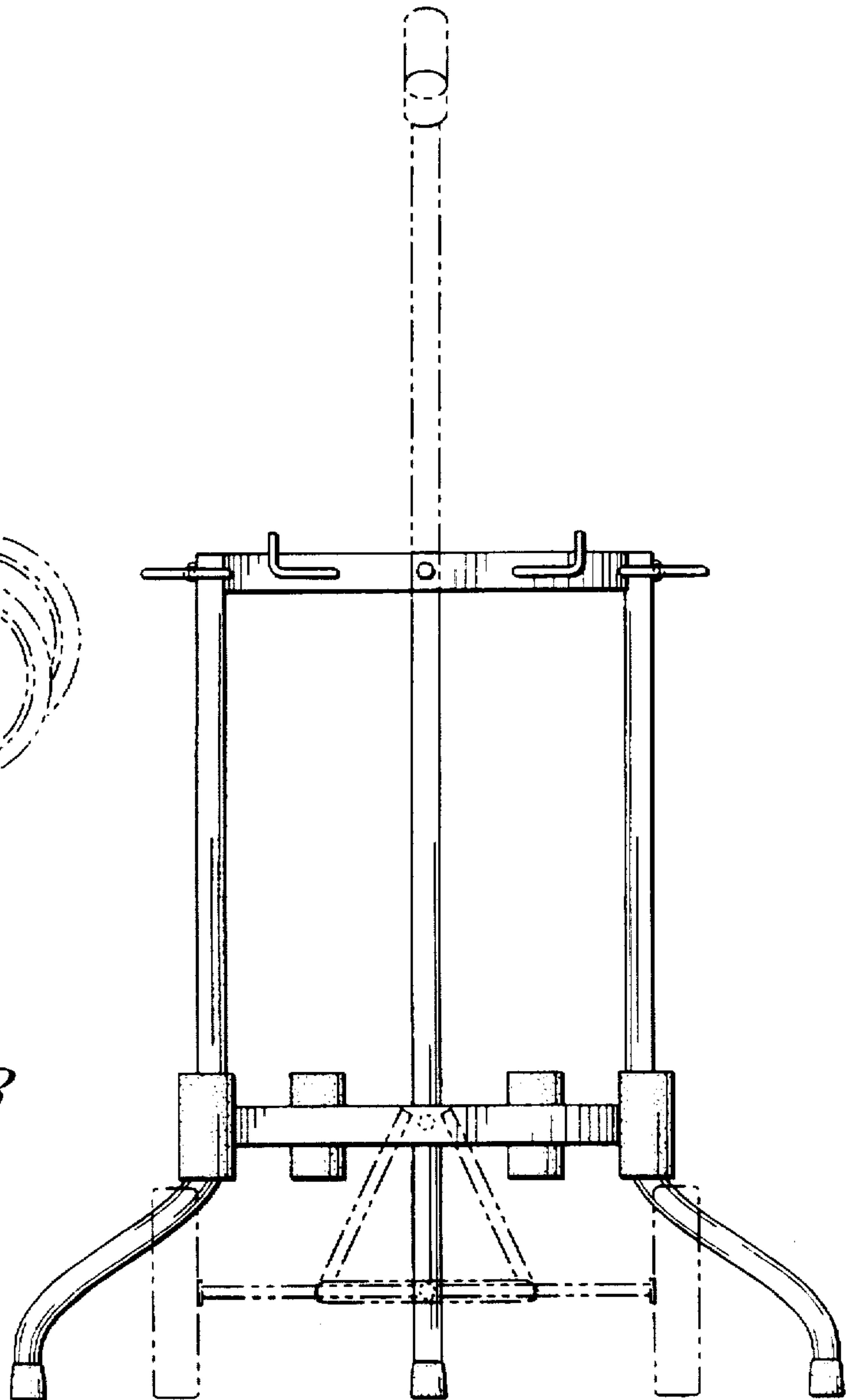


Fig. 9

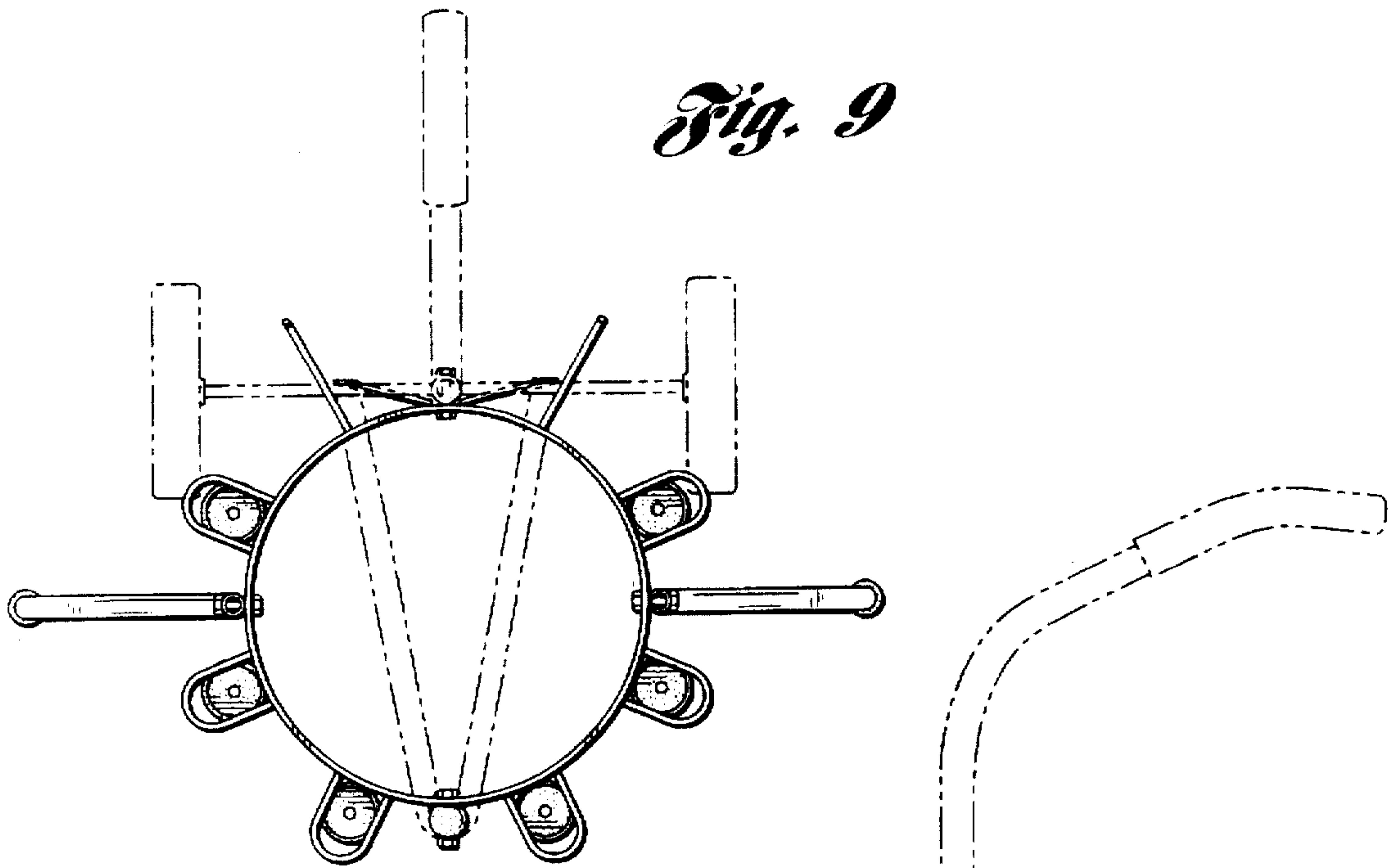
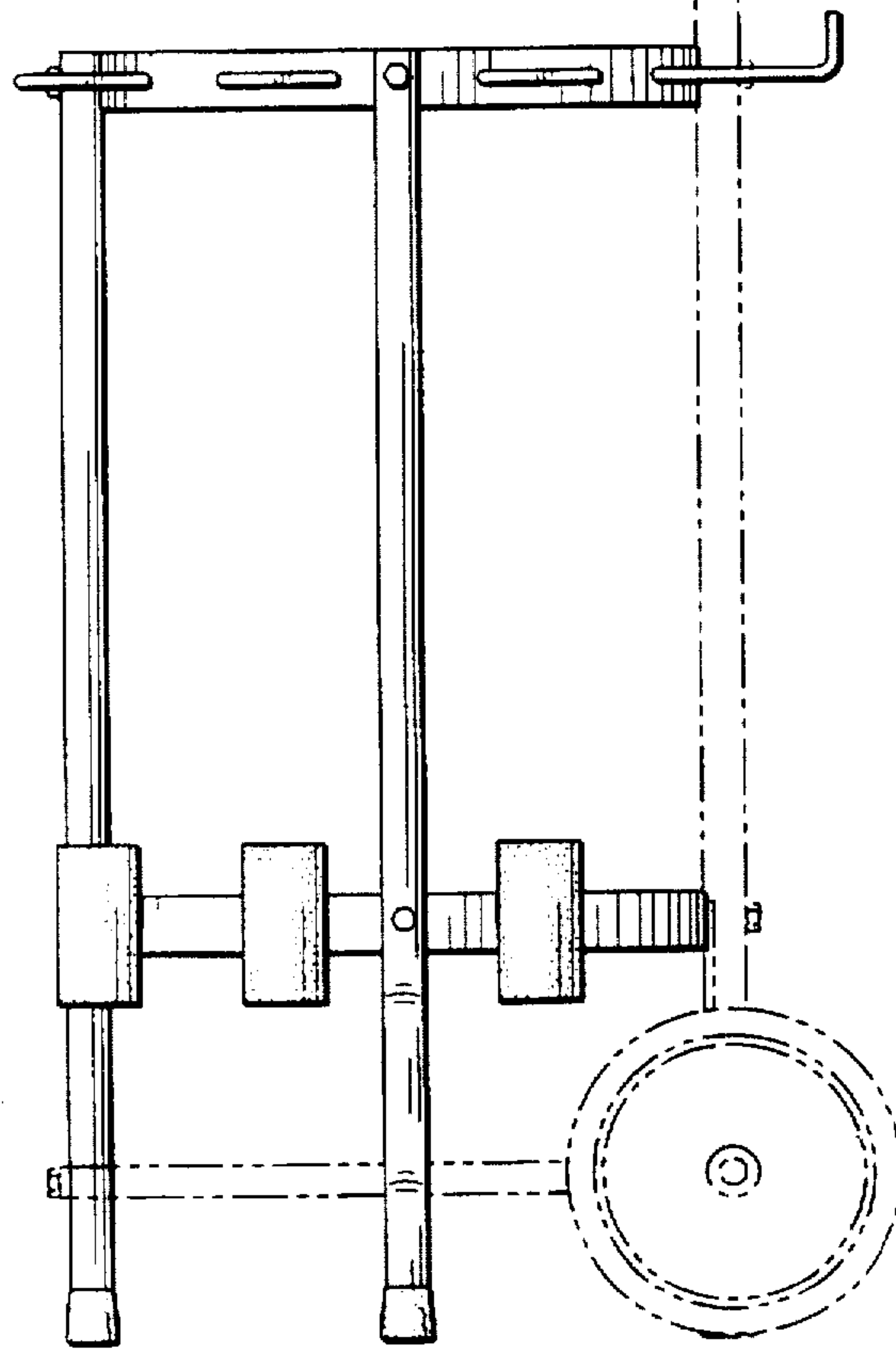


Fig. 10



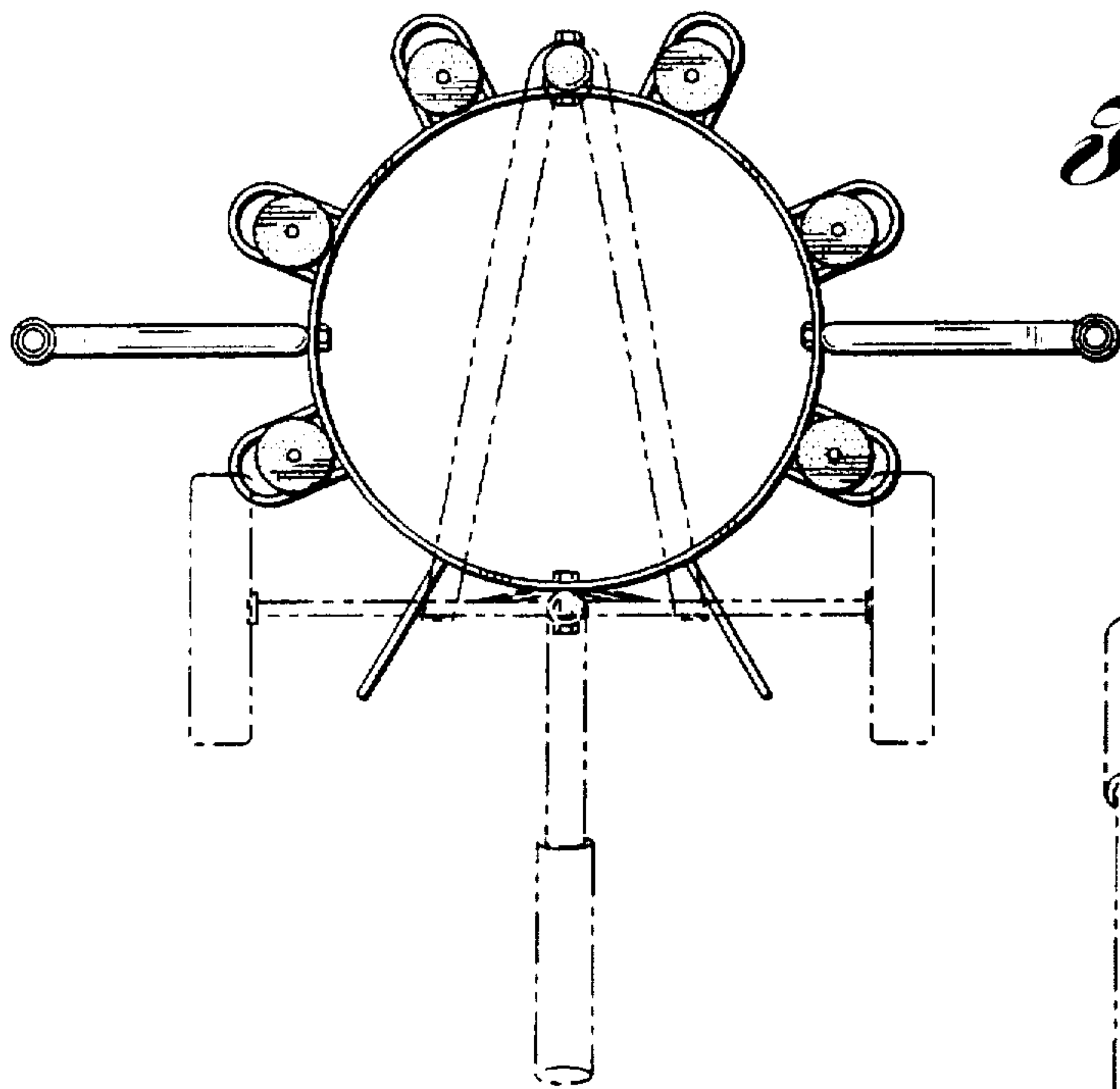


Fig. 11

Fig. 12

