



US00D393130S

**United States Patent** [19]  
**Murphy**

[11] **Patent Number: Des. 393,130**  
[45] **Date of Patent: \*\*Mar. 31, 1998**

[54] **SCRAPER DEVICE**

[76] **Inventor: John David Murphy, Wirihana Road, Hawera, New Zealand**

[\*\*] **Term: 14 Years**

[21] **Appl. No.: 55,457**

[22] **Filed: Jun. 5, 1996**

[51] **LOC (6) Cl. .... 12-02**

[52] **U.S. Cl. .... D34/24; D32/41; D32/51; D32/42**

[58] **Field of Search .... D34/24, 12, 27; D32/35, 40, 46, 49; 280/47.24, 47.27; D8/1, 10; 15/245, 246, 160, 228**

[56] **References Cited**

**U.S. PATENT DOCUMENTS**

- D. 174,307 3/1955 Anderson .
- D. 271,369 11/1983 Gesner ..... D8/10
- D. 285,015 8/1986 DiAmico ..... D32/49
- D. 314,318 2/1991 Uimonen ..... D8/10
- D. 336,709 6/1993 Walkley et al. .... D8/10 X

- 2,921,798 1/1960 Cislak .
- 4,458,123 7/1984 Richards ..... 280/47.24 X
- 4,709,440 12/1987 Conelly ..... D34/16 X
- 5,117,530 6/1992 Rank ..... 15/245
- 5,487,202 1/1996 Cowan ..... 15/228

*Primary Examiner*—Susan J. Lucas  
*Assistant Examiner*—Cynthia E. Ramirez  
*Attorney, Agent, or Firm*—Blakely Sokoloff Taylor & Zafman

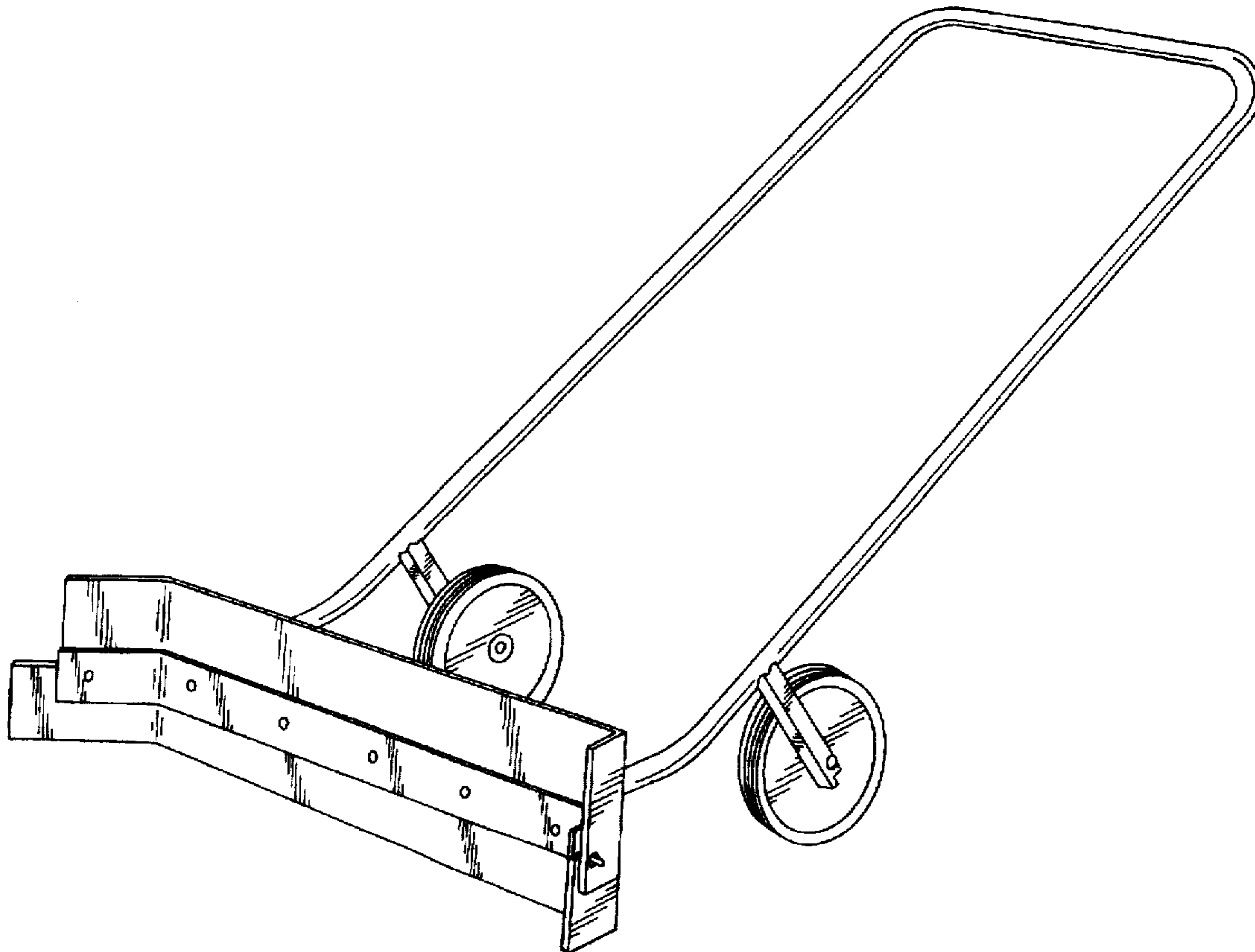
[57] **CLAIM**

The ornamental design for a scraper device, as shown and described.

**DESCRIPTION**

FIG. 1 is a side perspective view showing my new design of a scraper device;  
FIG. 2 is a rear elevation view thereof;  
FIG. 3 is a front perspective view thereof;  
FIG. 4 is a side elevational view thereof, the side opposite being a mirror image of the side shown; and,  
FIG. 5 is a top plan view thereof.

**1 Claim, 5 Drawing Sheets**



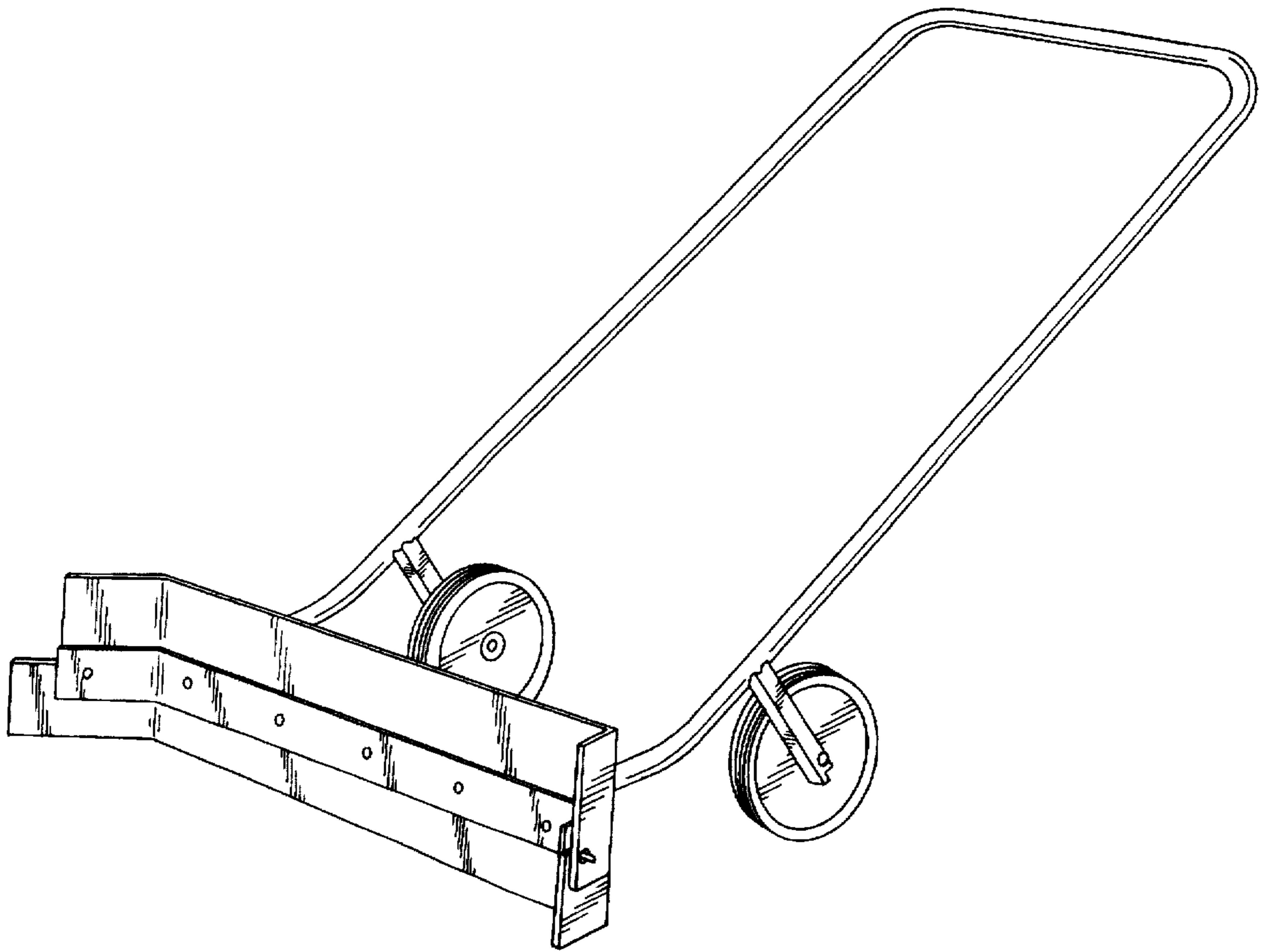


FIG. 1

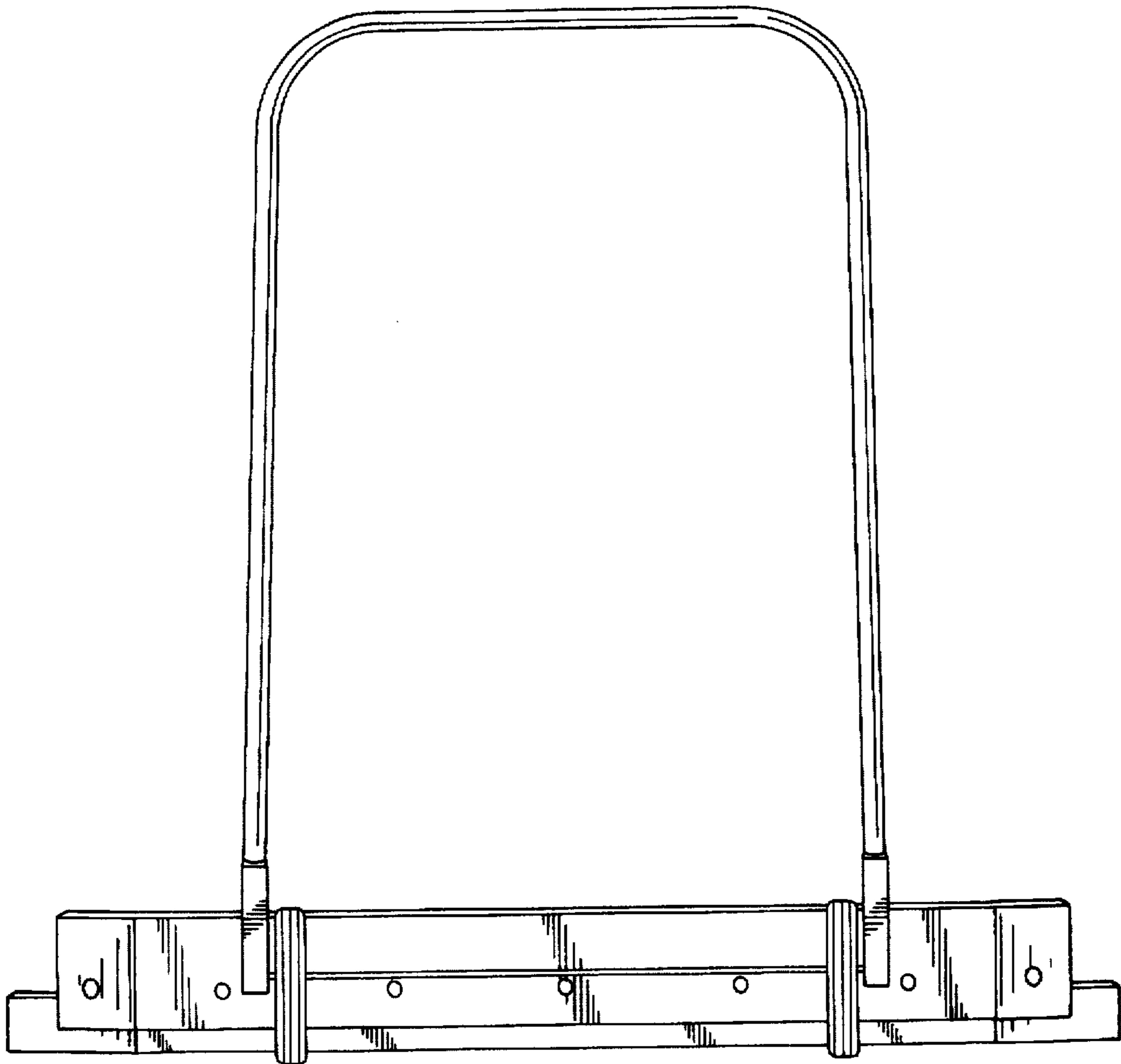


FIG. 2

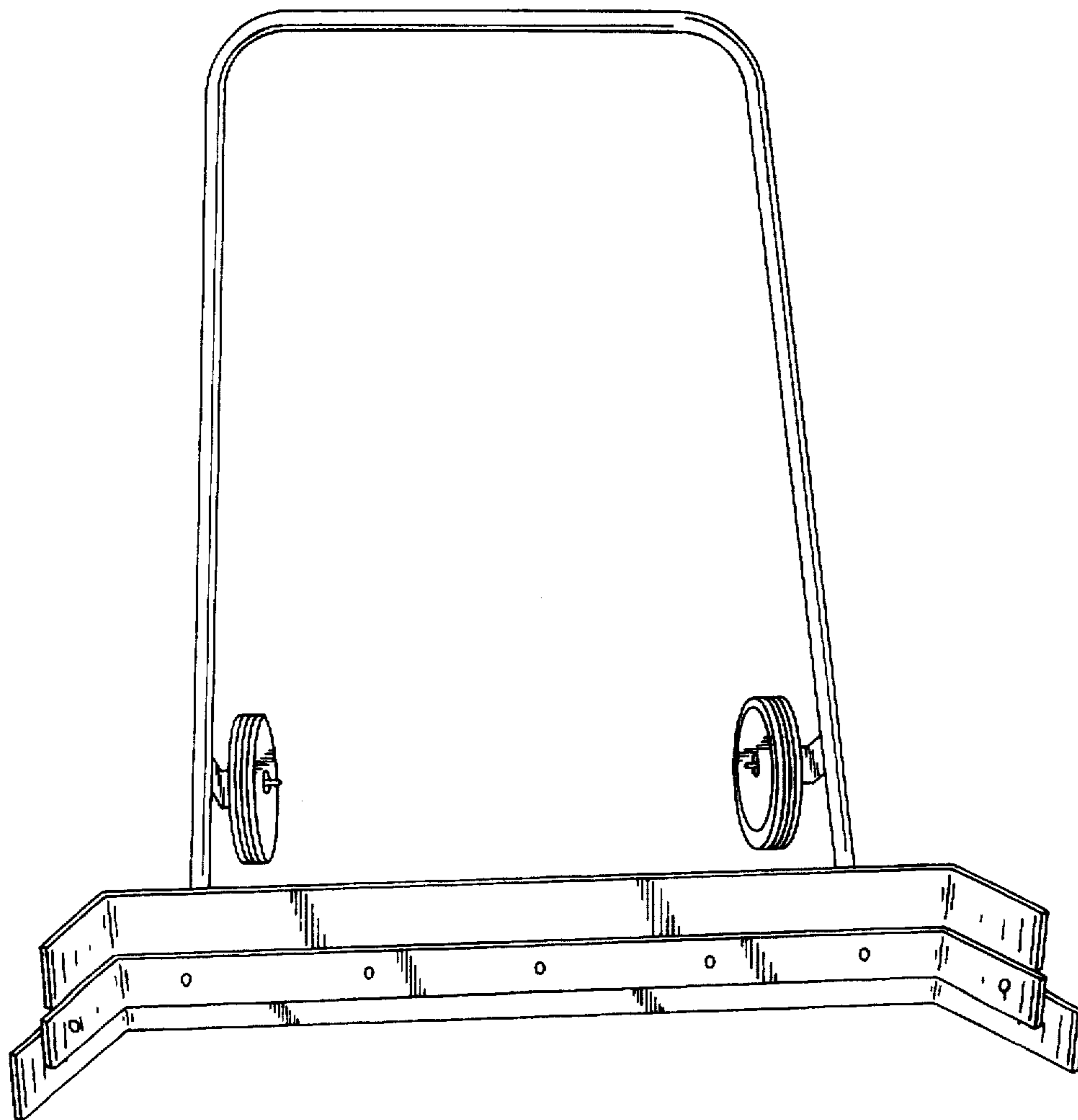


FIG. 3

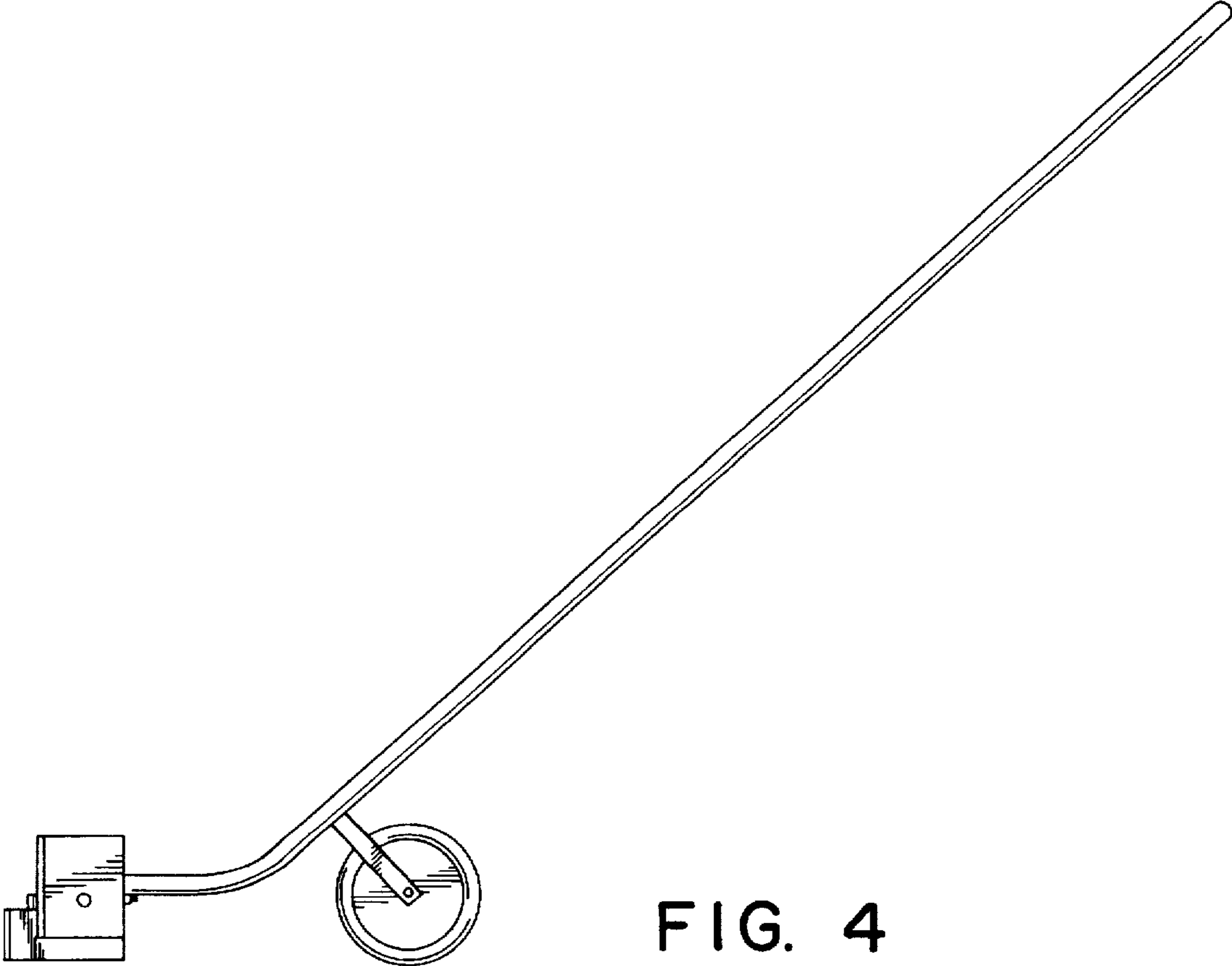


FIG. 4

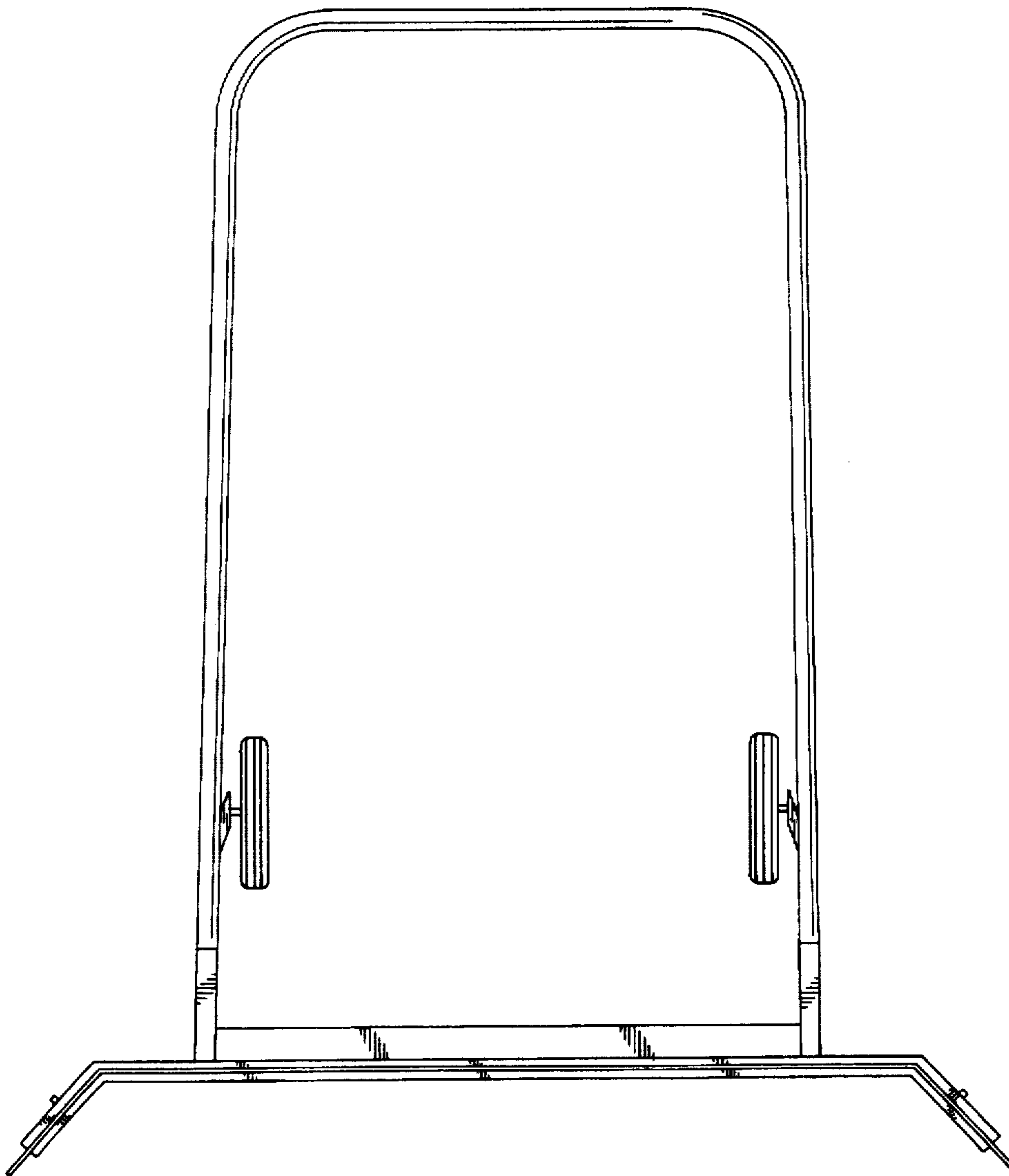


FIG. 5