

US00D393129S

United States Patent [19]

[11] Patent Number: **Des. 393,129**

Yemini

[45] Date of Patent: ****Mar. 31, 1998**

[54] **WHEEL BARROW**

[75] Inventor: **Zvi Yemini**, Tel Aviv, Israel

[73] Assignee: **Zag Ltd.**, Roch Haayin, Israel

[**] Term: **14 Years**

[21] Appl. No.: **65,390**

[22] Filed: **Jan. 27, 1997**

[51] LOC (6) Cl. **12-02**

[52] U.S. Cl. **D34/16**

[58] Field of Search D34/12-27; 280/47.26,
280/47.31, 653, 47.34, 79.11, 47.18, 47.12,
652, 42

[56] **References Cited**

U.S. PATENT DOCUMENTS

D. 327,350	6/1992	Brown et al.	D34/24	X
D. 337,409	7/1993	Maple et al.	D34/16	X
D. 338,306	8/1993	White et al.	D34/24	
D. 355,515	2/1995	Spear et al.	D34/12	X
D. 370,326	5/1996	Chapman et al.	D34/16	
5,615,903	4/1997	Spear et al.	280/47.26	X

Primary Examiner—Susan J. Lucas
Assistant Examiner—Cynthia E. Ramirez
Attorney, Agent, or Firm—Mark M. Friedman

[57] **CLAIM**

The ornamental design for a wheel barrow, as shown and described.

DESCRIPTION

FIG. 1 is a perspective view of a wheel barrow showing my new design;

FIG. 2 is a top view of a wheel barrow showing my new design;

FIG. 3 is a rear view of a wheel barrow showing my new design;

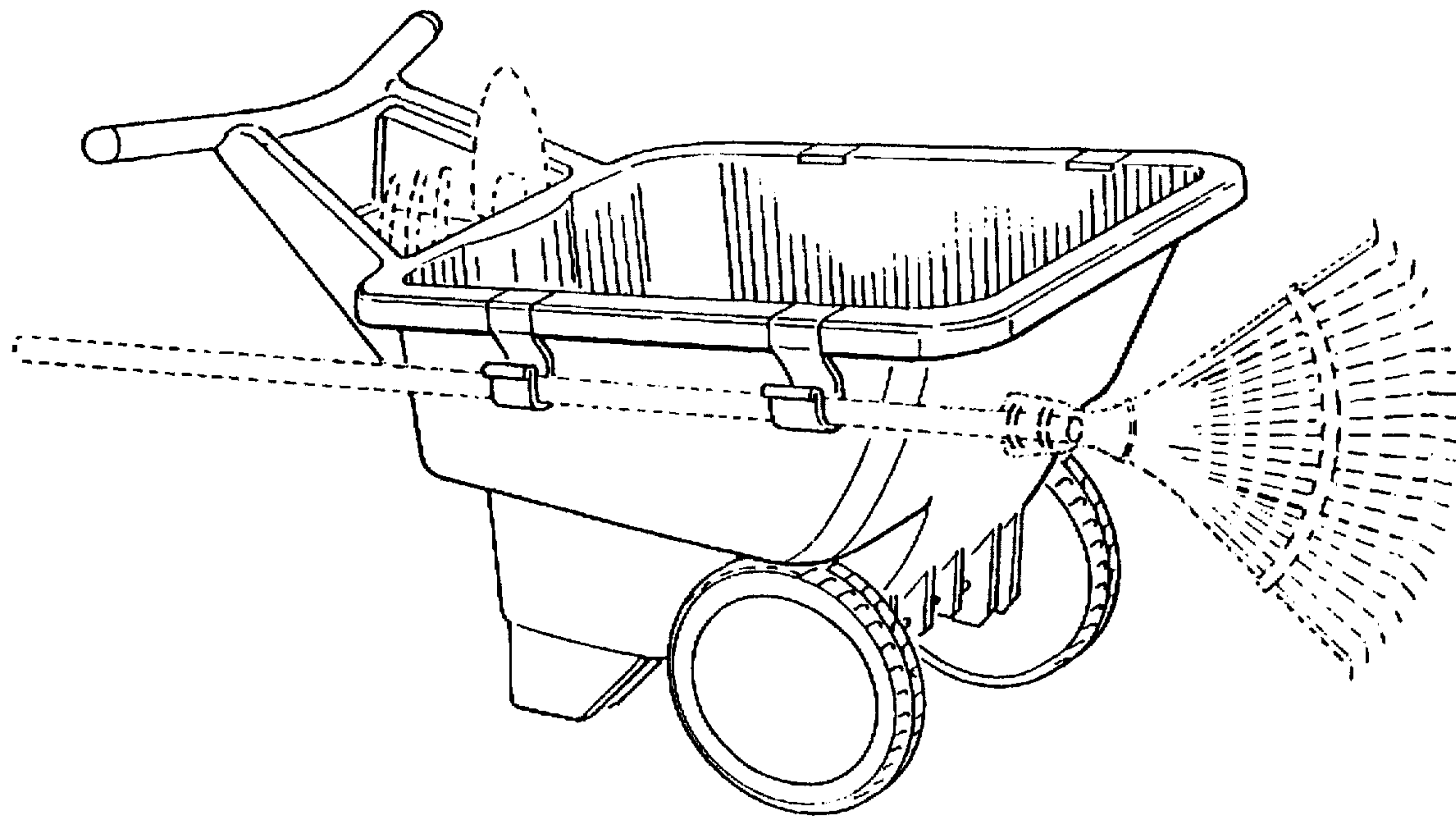
FIG. 4 is a front view of a wheel barrow showing my new design;

FIG. 5 is a bottom view of a wheel barrow showing my new design; and,

FIG. 6 is a side view of a wheel barrow showing my new design.

The broken line showing of the gardening tools in FIG. 1 is for illustrative purposes only and forms no part of the claimed design.

1 Claim, 5 Drawing Sheets



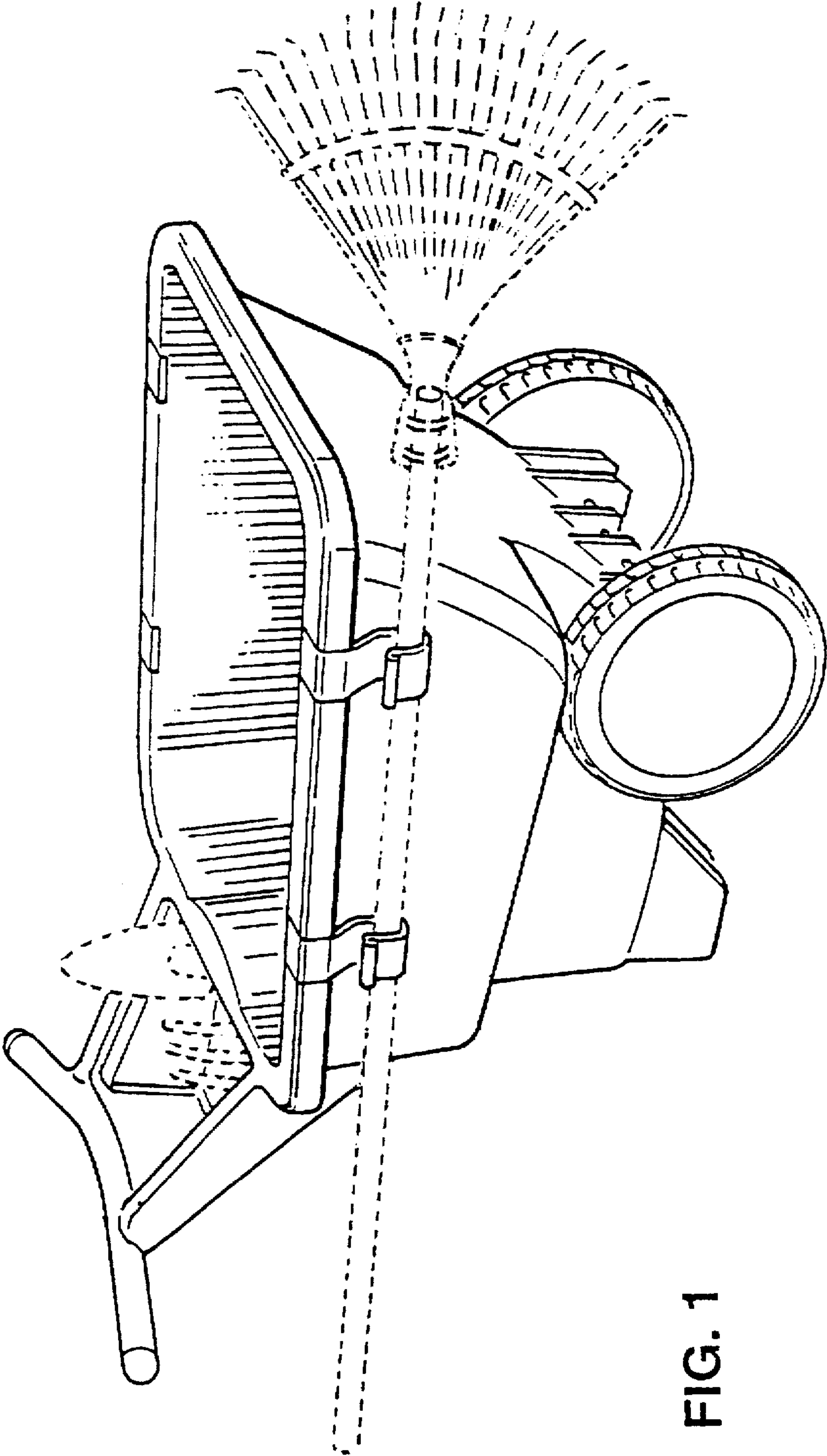
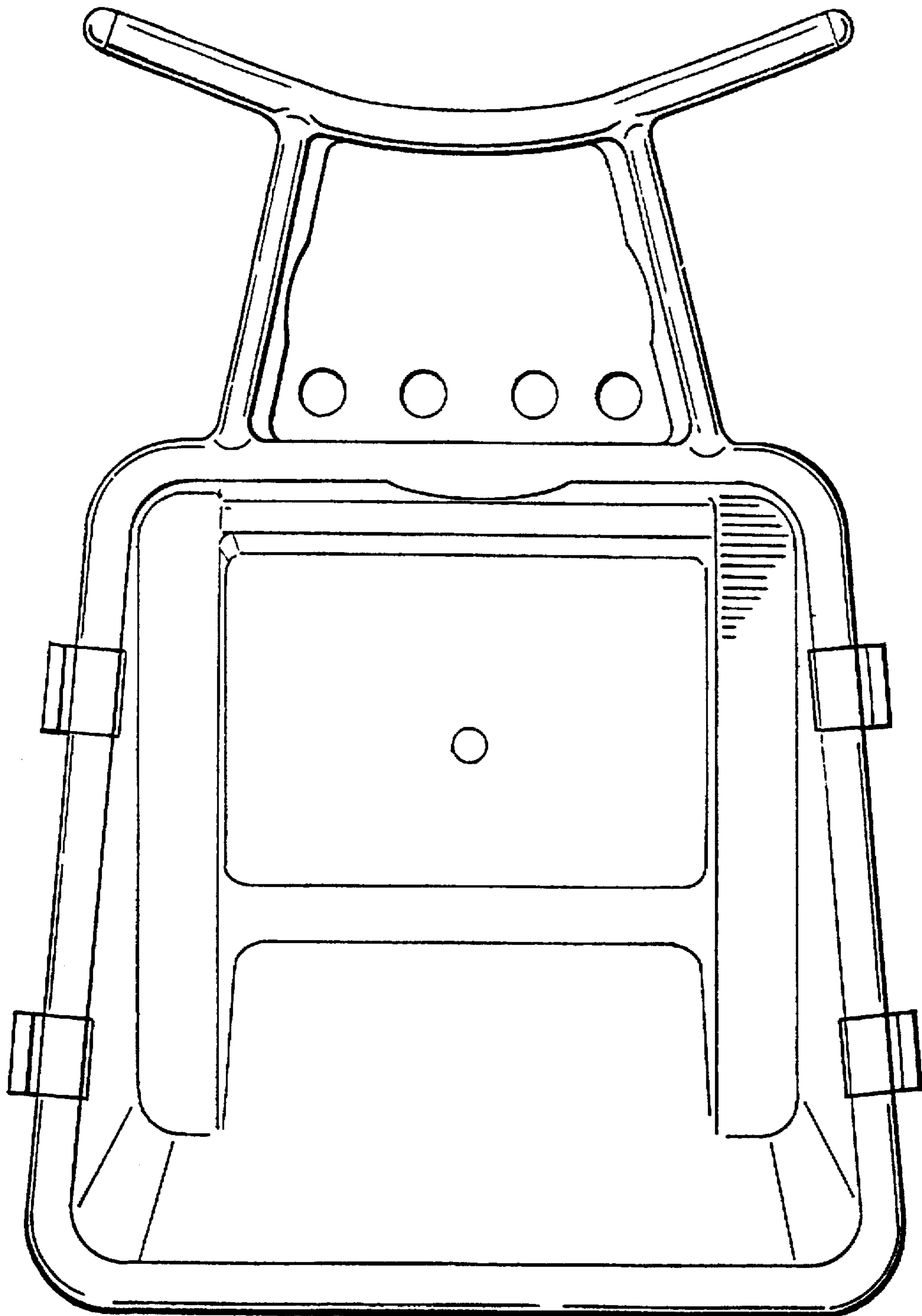


FIG. 1

FIG. 2



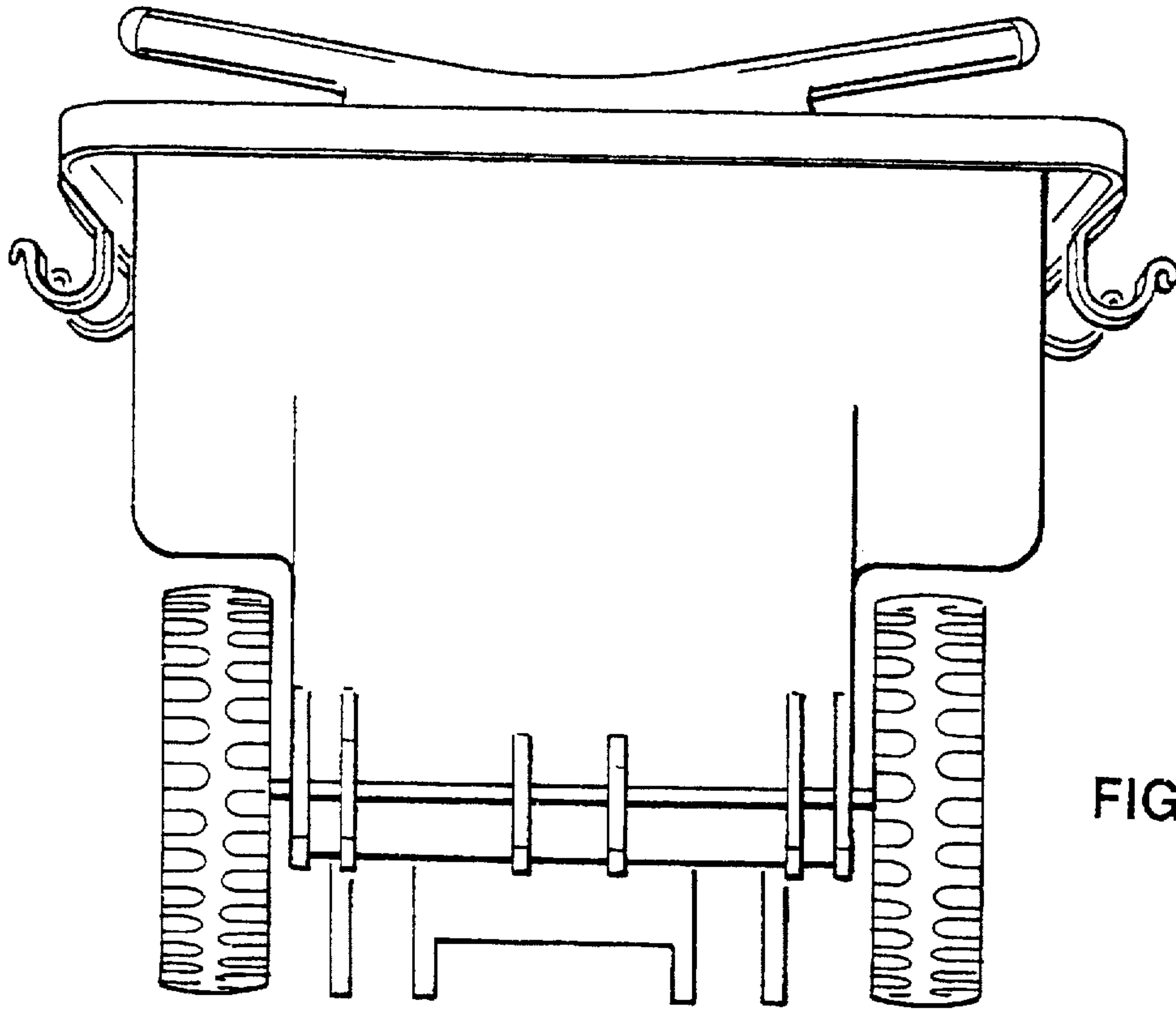


FIG. 3

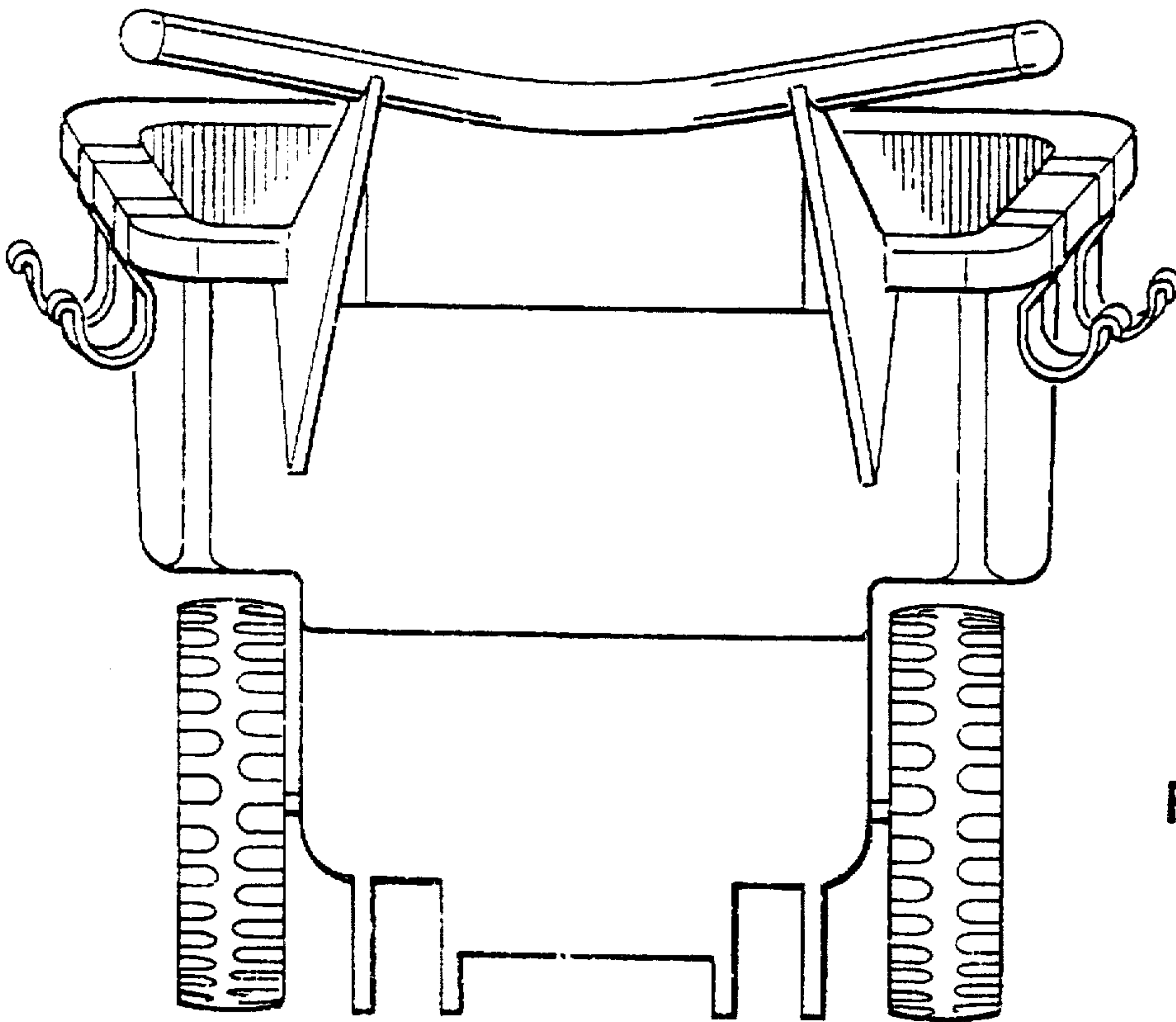
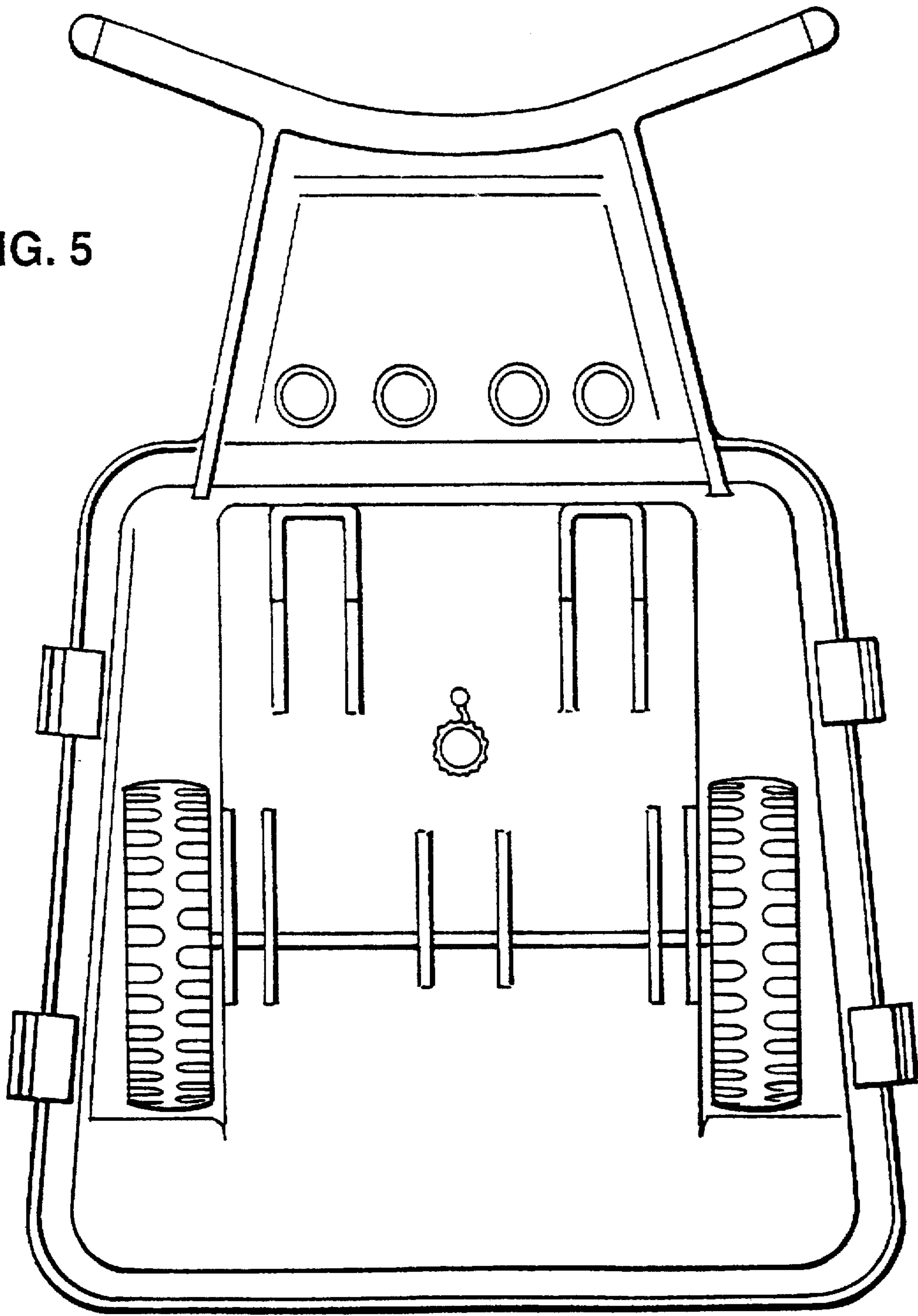


FIG. 4

FIG. 5



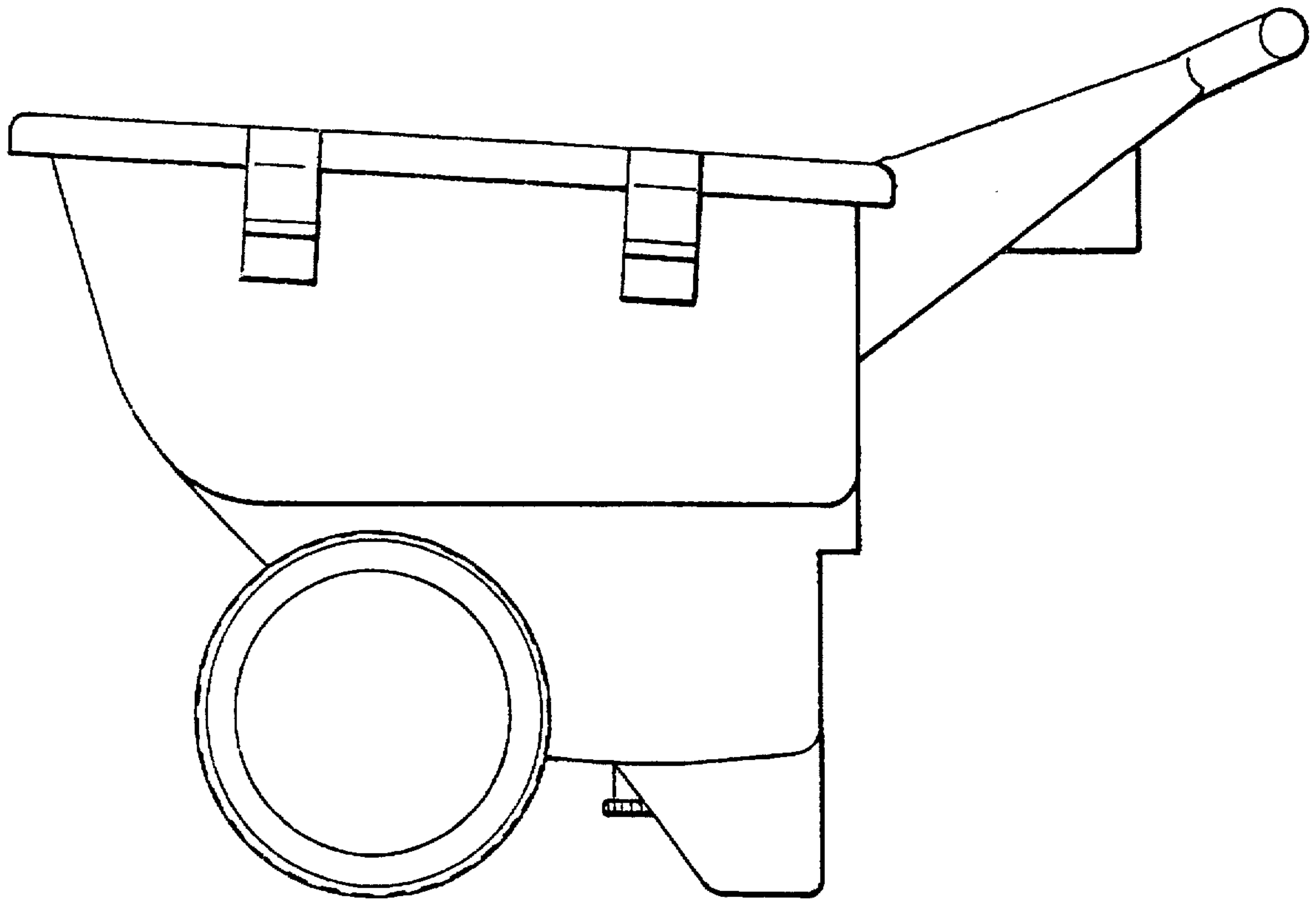


FIG. 6