



US00D393126S

United States Patent [19]

[11] Patent Number: Des. 393,126

Doty

[45] Date of Patent: **Mar. 31, 1998

[54] **ASH RECEPTACLE COVER**

D. 338,758	8/1993	Sexton et al.	D34/1
D. 343,708	1/1994	Doty	D34/6
3,904,070	9/1975	Lisciani et al.	220/908

[75] Inventor: **Thomas C. Doty**, Sycamore, Ill.

[73] Assignee: **Doty & Sons Concrete Products, Inc.**, Sycamore, Ill.

Primary Examiner—Alan P. Douglas
Assistant Examiner—Robin V. Taylor
Attorney, Agent, or Firm—Leydig, Voit & Mayer, Ltd.

[**] Term: **14 Years**

[57] **CLAIM**

[21] Appl. No.: **68,428**

The ornamental design for an ash receptacle cover, as shown and described.

[22] Filed: **Apr. 4, 1997**

DESCRIPTION

[51] LOC (6) Cl. **09-09**

[52] U.S. Cl. **D34/11**

[58] Field of Search D34/1, 5-11; 220/908-911, 220/403, 404; D27/104, 105

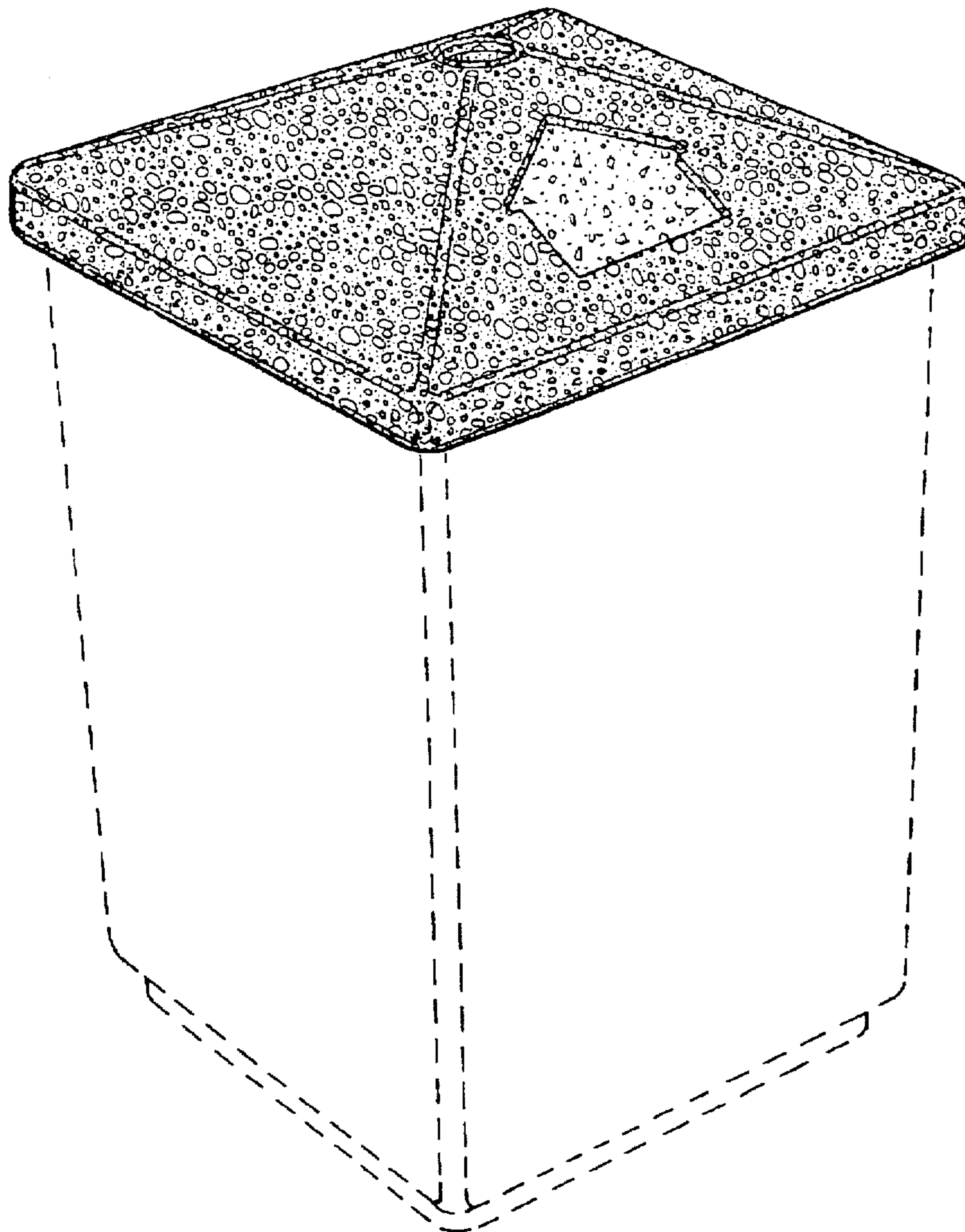
FIG. 1 is a front perspective view of an ash receptacle cover, showing my new design, with an exemplary refuse receptacle shown in broken lines for illustrative purposes only and forming no part of the claimed design; FIG. 2 is a front elevational view thereof; FIG. 3 is a rear side elevational view thereof; FIG. 4 is a top plan view thereof; and, FIG. 5 is a bottom plan view thereof.

[56] **References Cited**

U.S. PATENT DOCUMENTS

D. 199,710	12/1964	Martin et al.	D34/7
D. 253,932	1/1980	Mockler	D34/5
D. 270,200	8/1983	Creske	D34/7

1 Claim, 3 Drawing Sheets



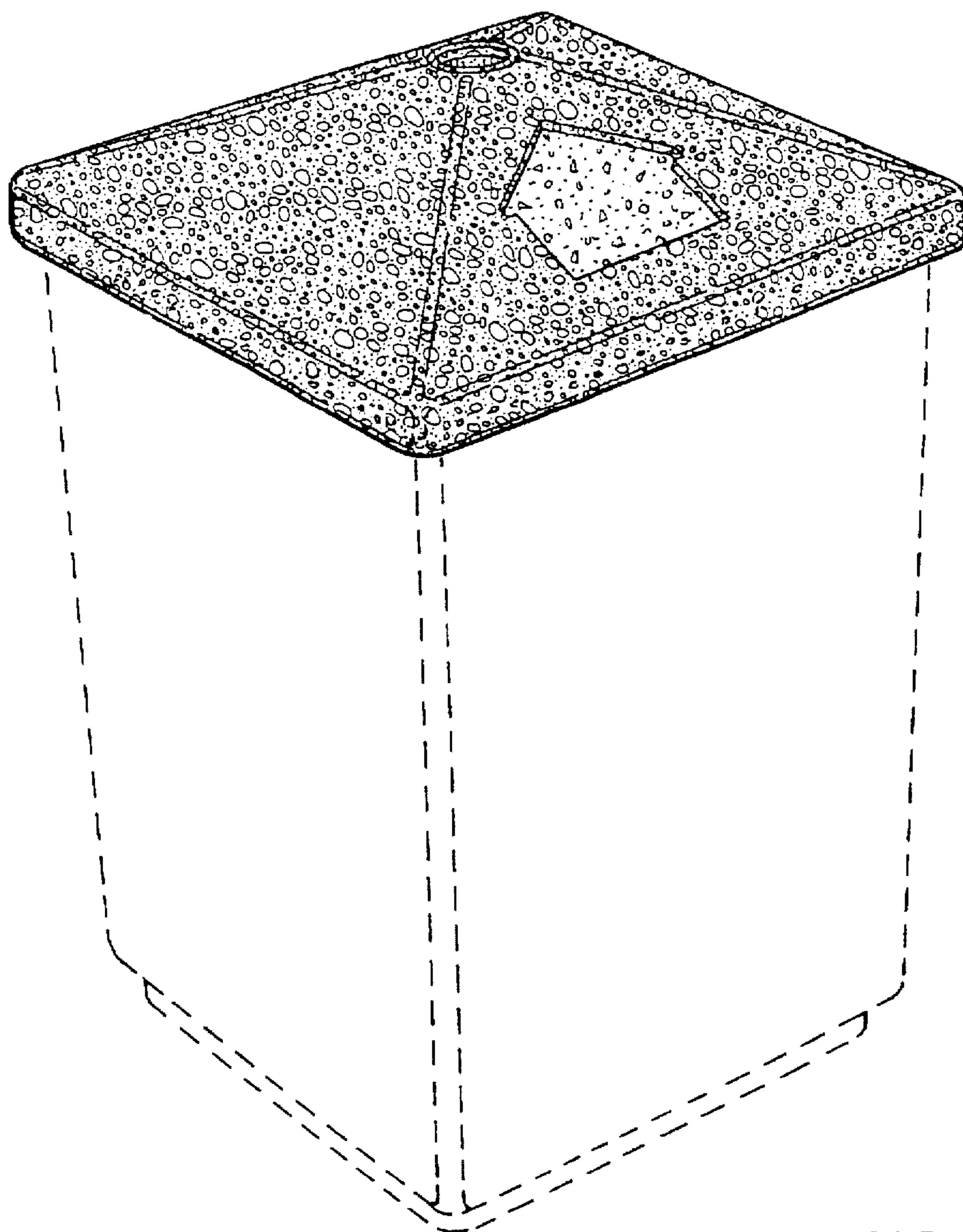


FIG. 1

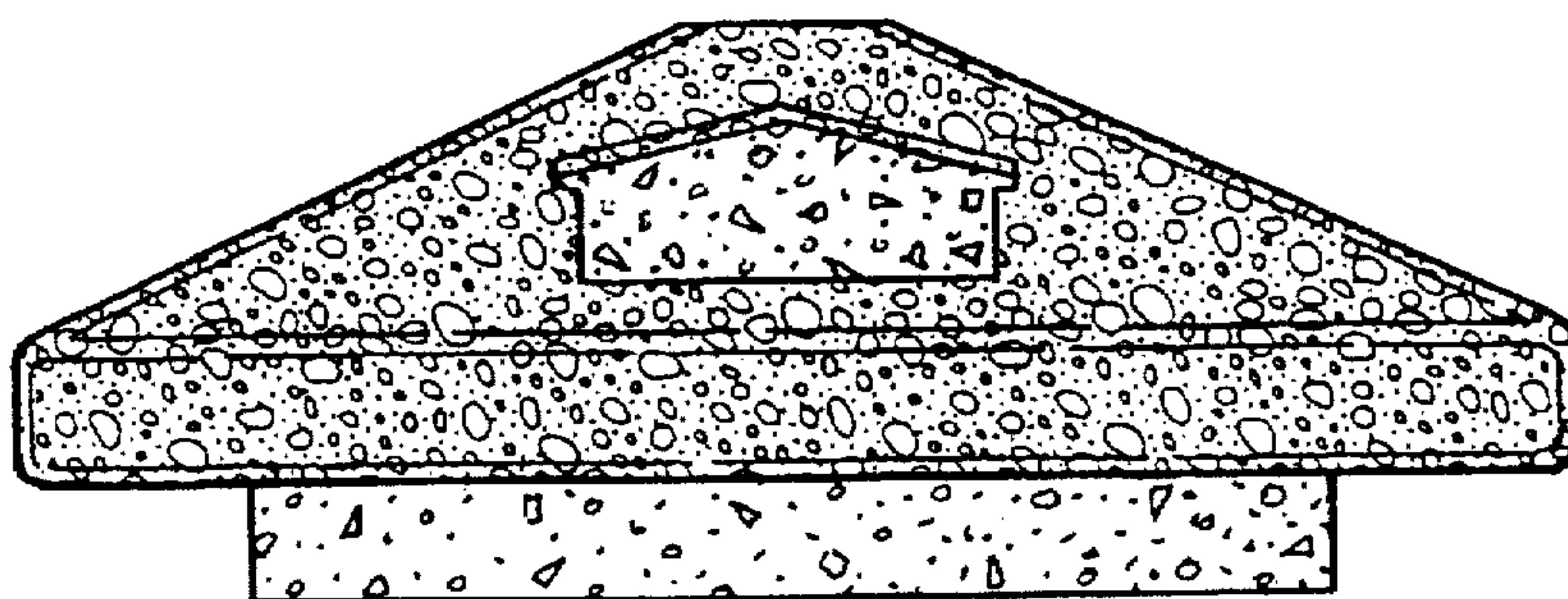


FIG. 2

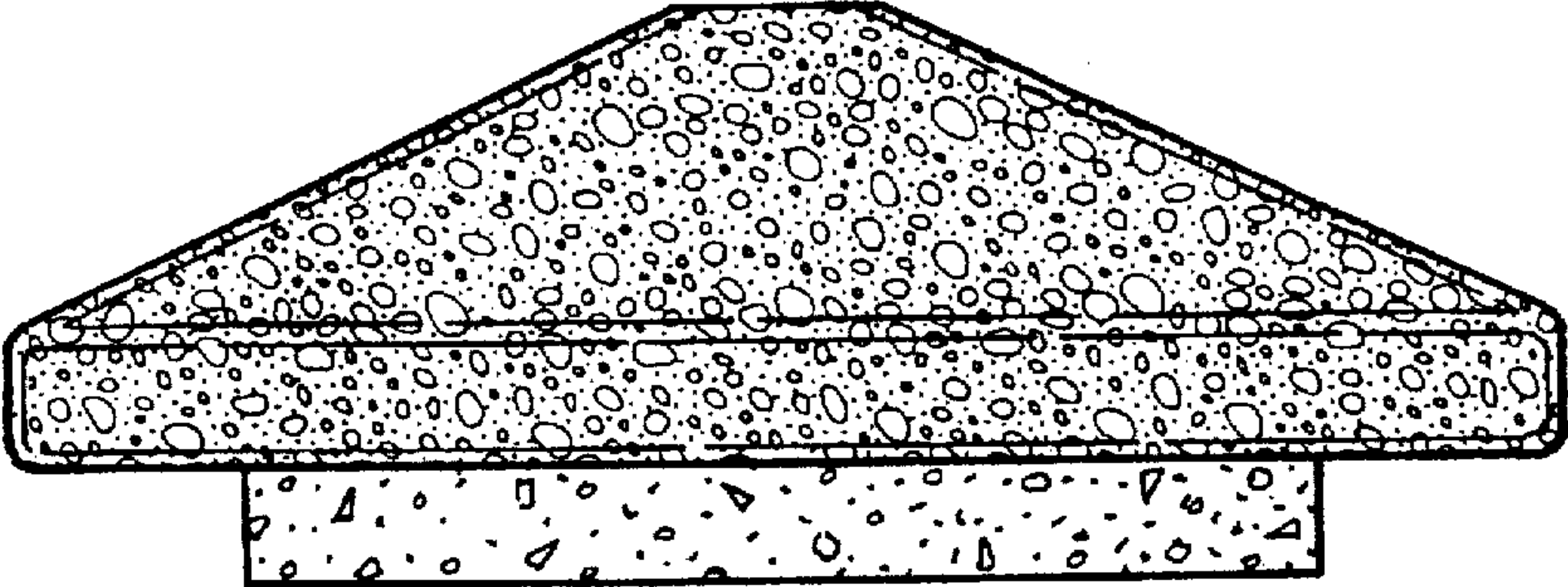


FIG. 3

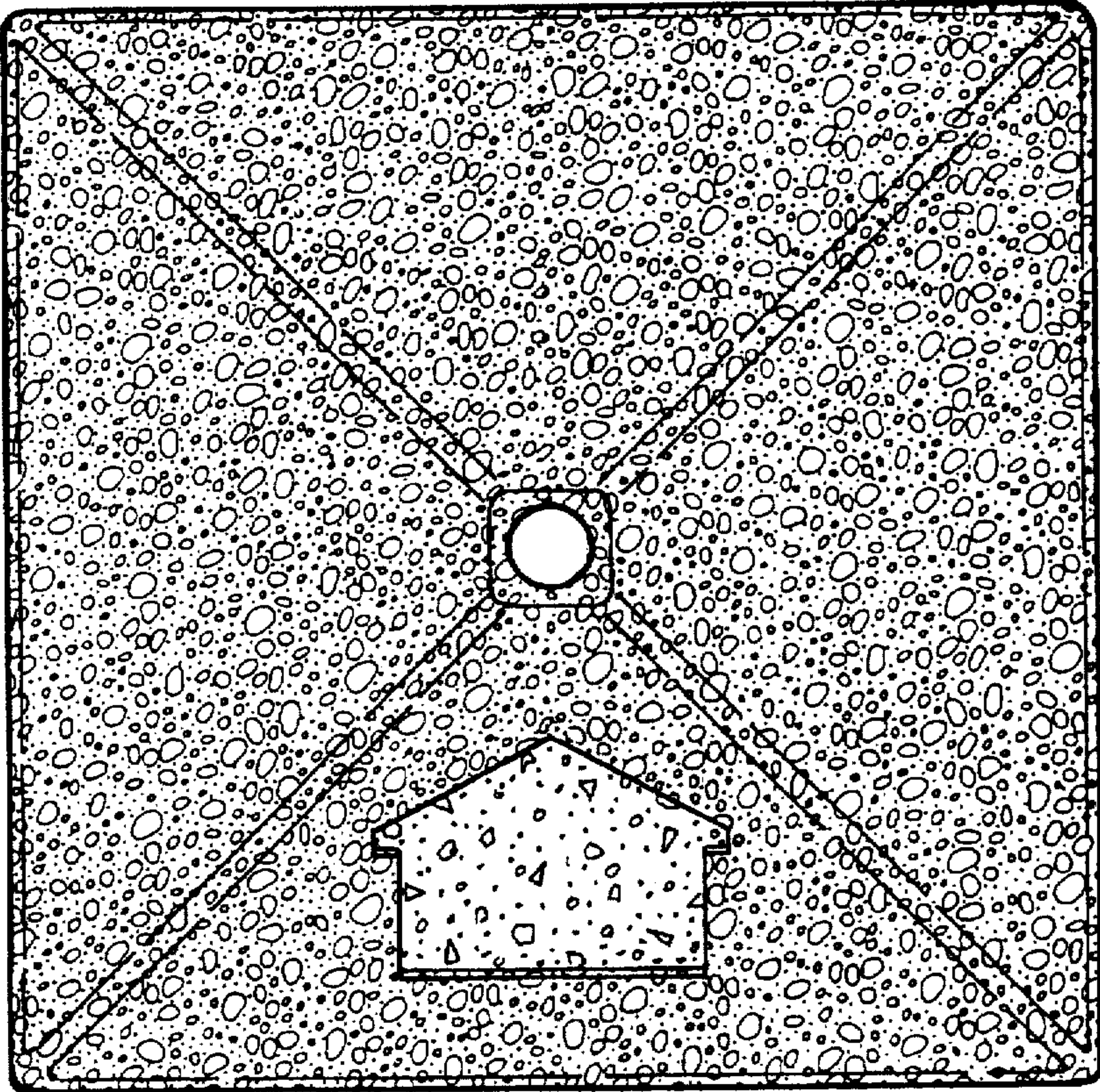


FIG. 4

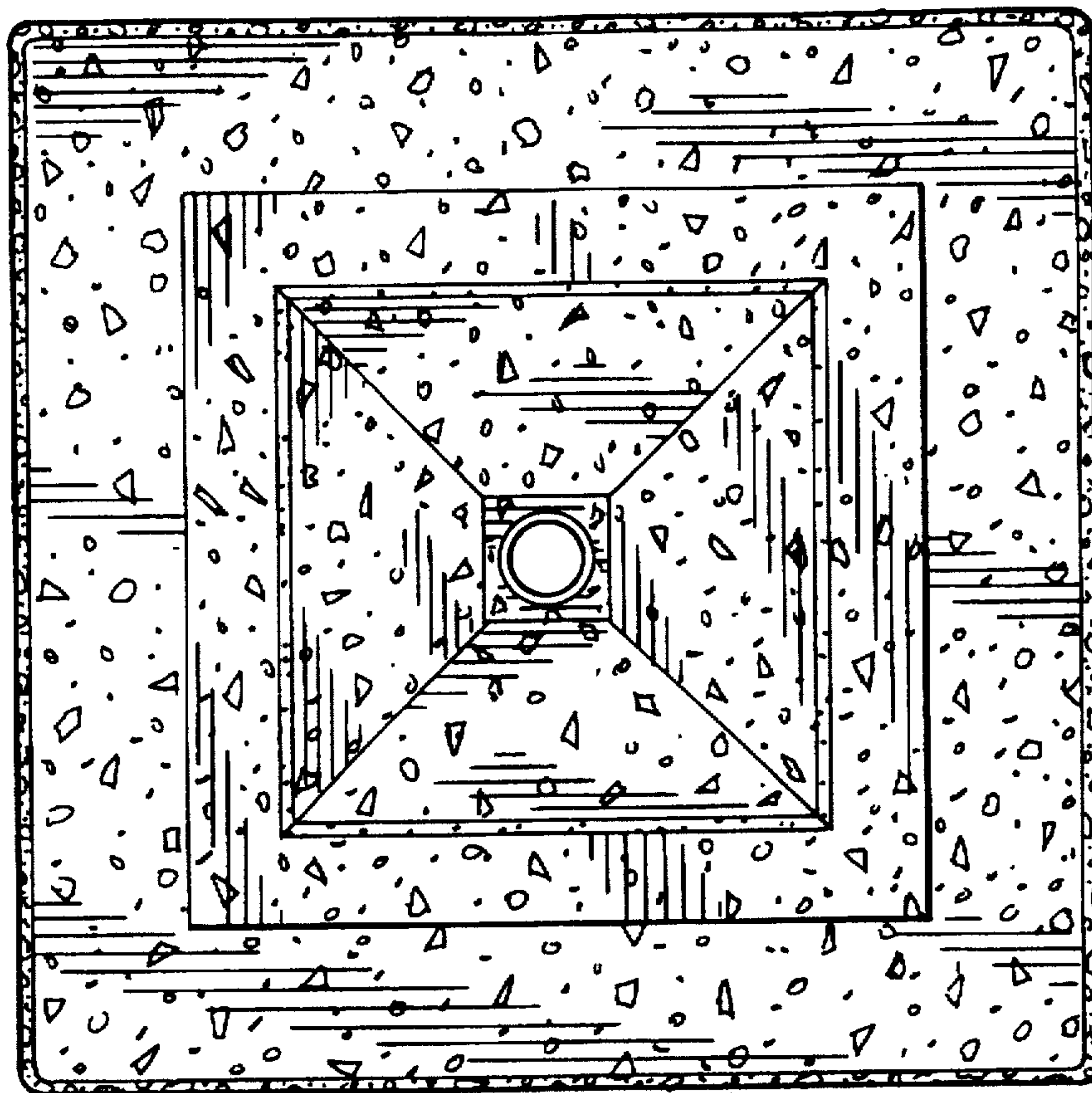


FIG. 5