



US00D393123S

# United States Patent [19]

Doty

[11] Patent Number: Des. 393,123

[45] Date of Patent: \*\*Mar. 31, 1998

[54] COVERED SIDE MOUNT ASH CONTAINER

D. 274,932 7/1984 Goodwin ..... D34/1  
D. 333,369 2/1993 Breen et al. .... D34/10

[75] Inventor: Thomas C. Doty, Sycamore, Ill.

Primary Examiner—Alan P. Douglas  
Assistant Examiner—Robin V. Taylor  
Attorney, Agent, or Firm—Leydig, Voit & Mayer, Ltd.

[73] Assignee: Doty & Sons Concrete Products, Inc., Sycamore, Ill.

[\*\*] Term: 14 Years

[57] CLAIM

[21] Appl. No.: 70,970

The ornamental design for a covered side mount ash container, as shown and described.

[22] Filed: May 20, 1997

DESCRIPTION

[51] LOC (6) Cl. .... 09-09

[52] U.S. Cl. .... D34/10

[58] Field of Search ..... D34/1, 5-11; D27/104, D27/105; D99/29, 31, 33; 220/908-911, 403, 404

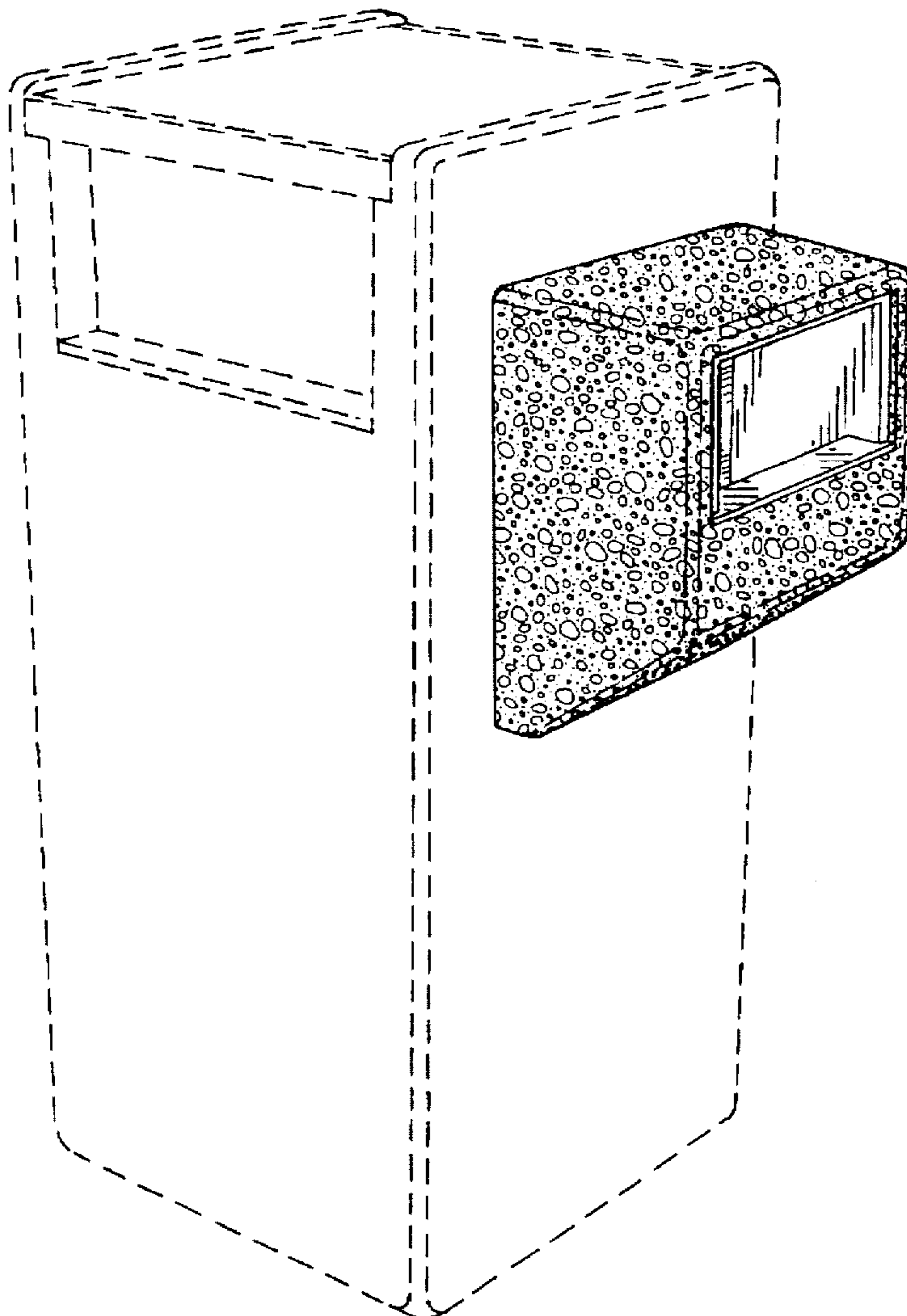
FIG. 1 is a front perspective view of a covered side mount ash container, showing my new design, with an exemplary refuse receptacle shown in broken lines for illustrative purposes only and forming no part of the claimed design; FIG. 2 is a front elevational view thereof; FIG. 3 is a right side elevational view thereof; FIG. 4 is a left side elevational view thereof; FIG. 5 is a top plan view thereof; FIG. 6 is a bottom plan view thereof; and, FIG. 7 is a rear elevational view thereof.

[56] References Cited

U.S. PATENT DOCUMENTS

D. 210,487 3/1968 Reavis ..... D34/8  
D. 257,611 12/1980 Bondeson ..... D34/8

1 Claim, 2 Drawing Sheets



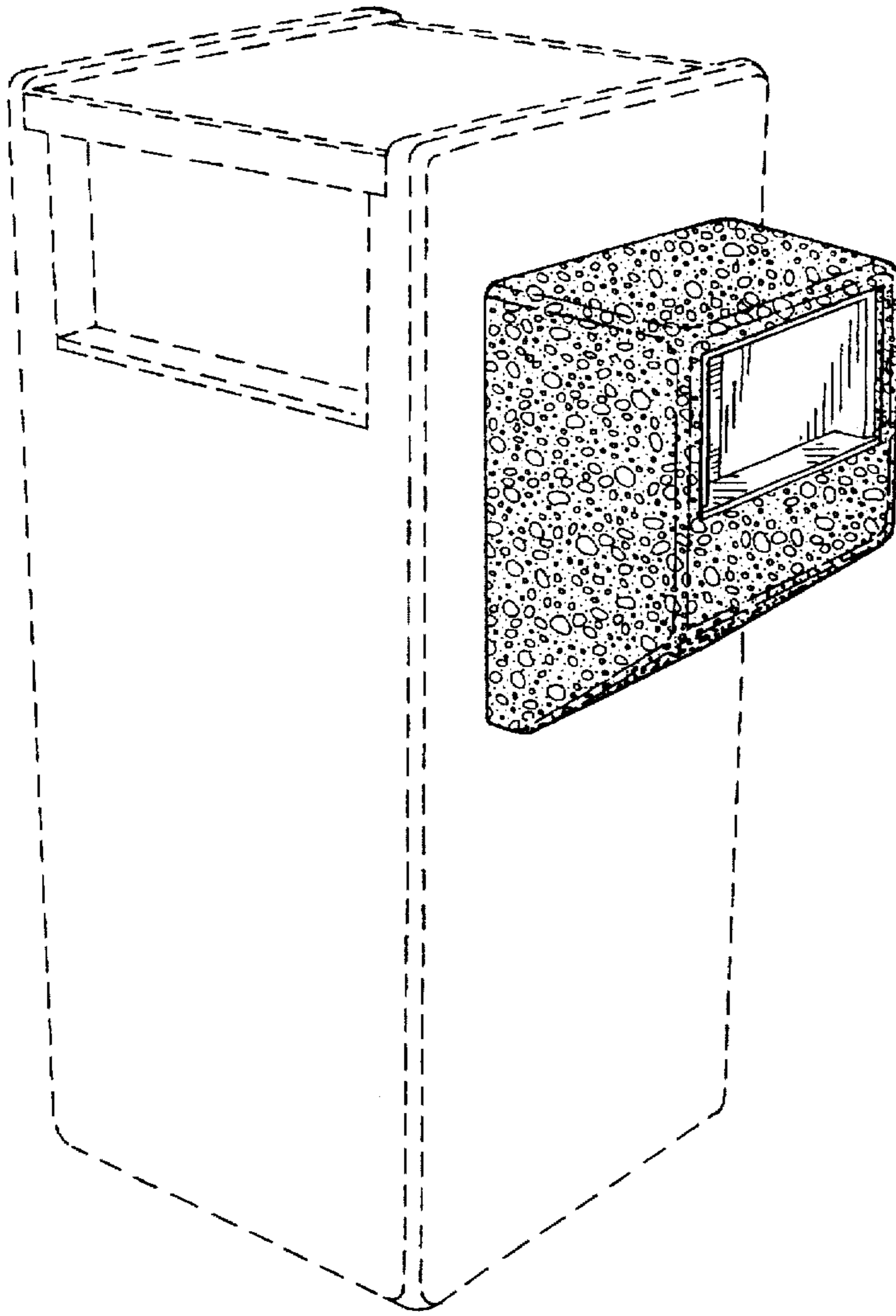


FIG. 1

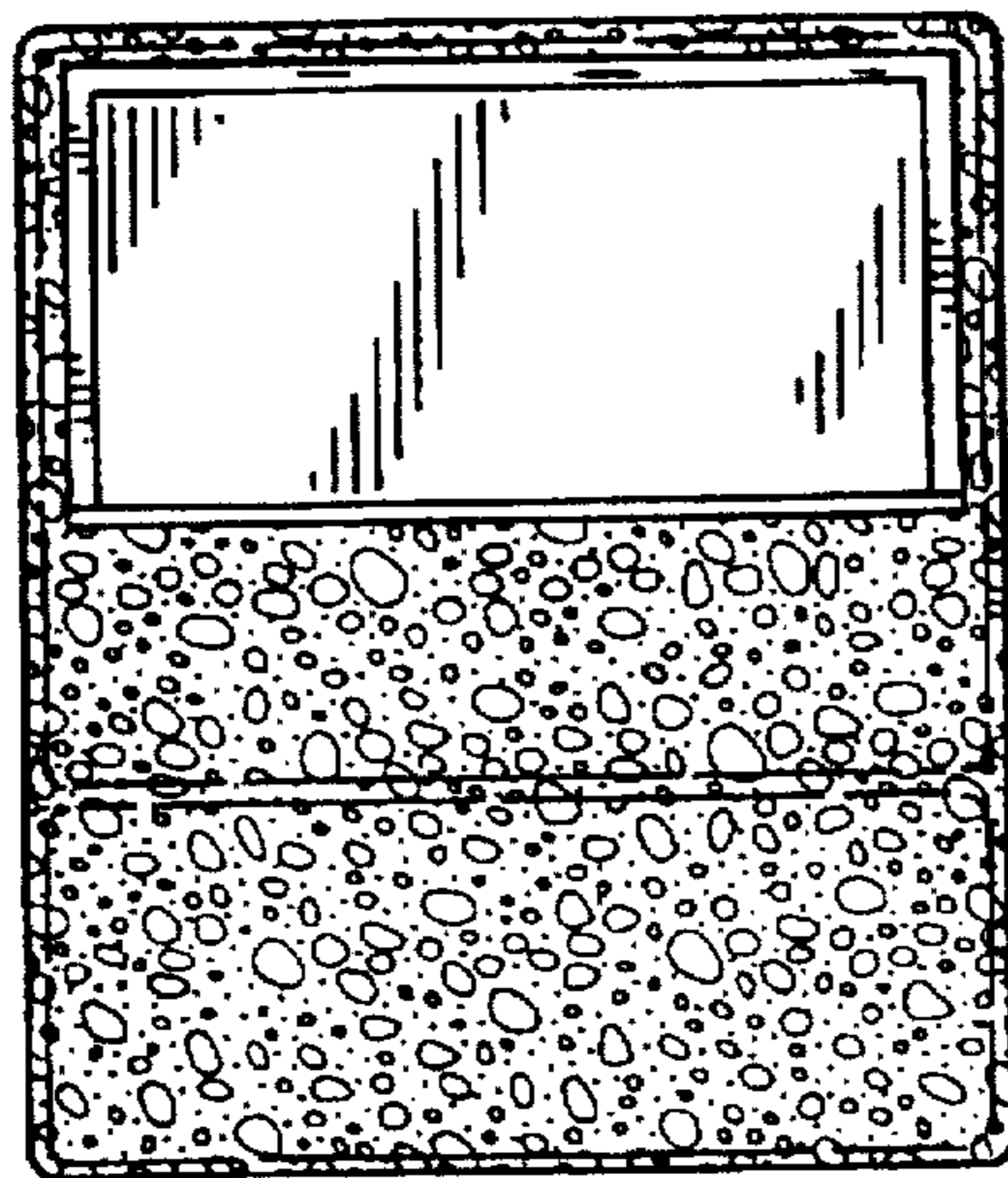


FIG. 2

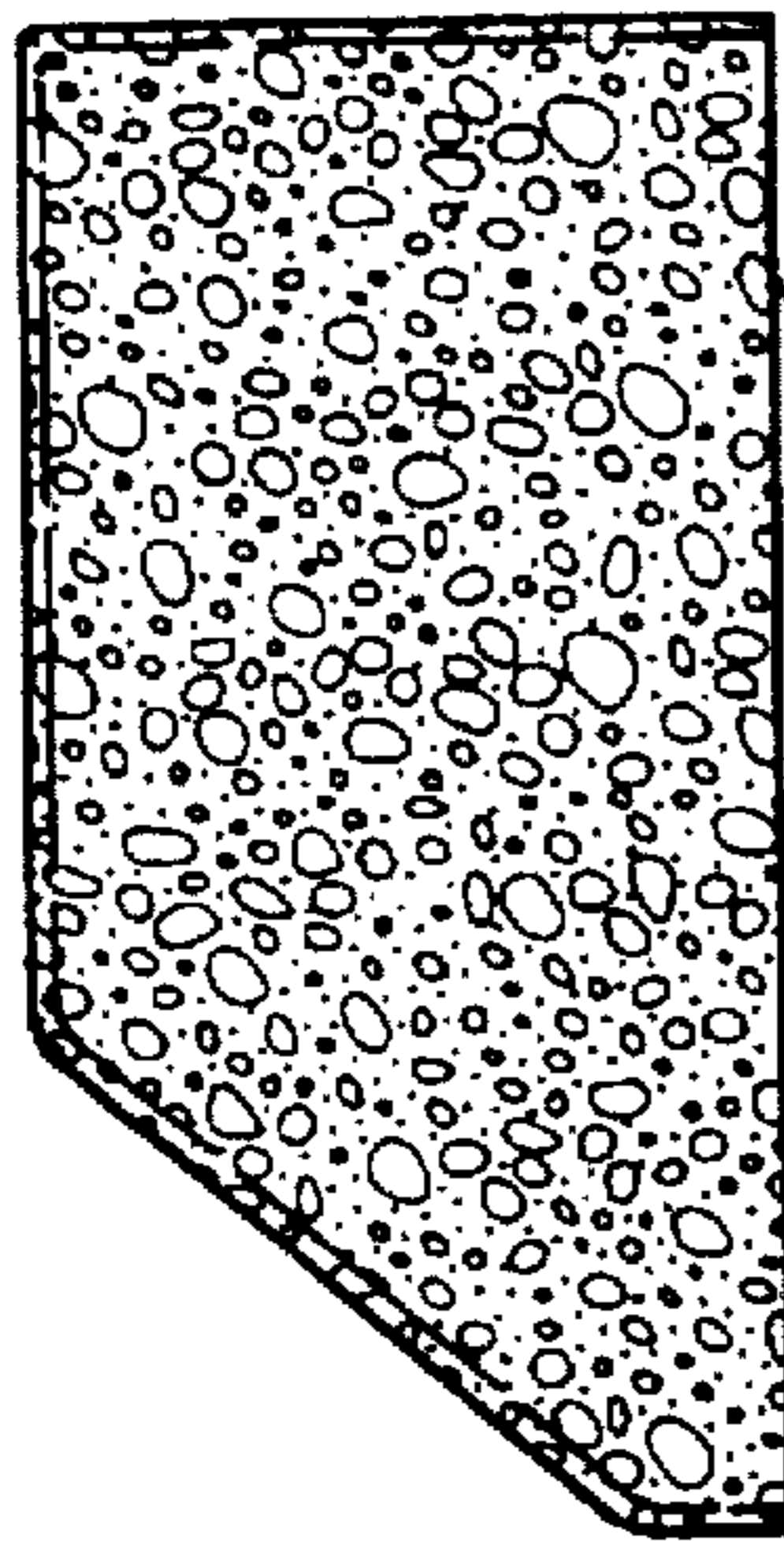


FIG. 3

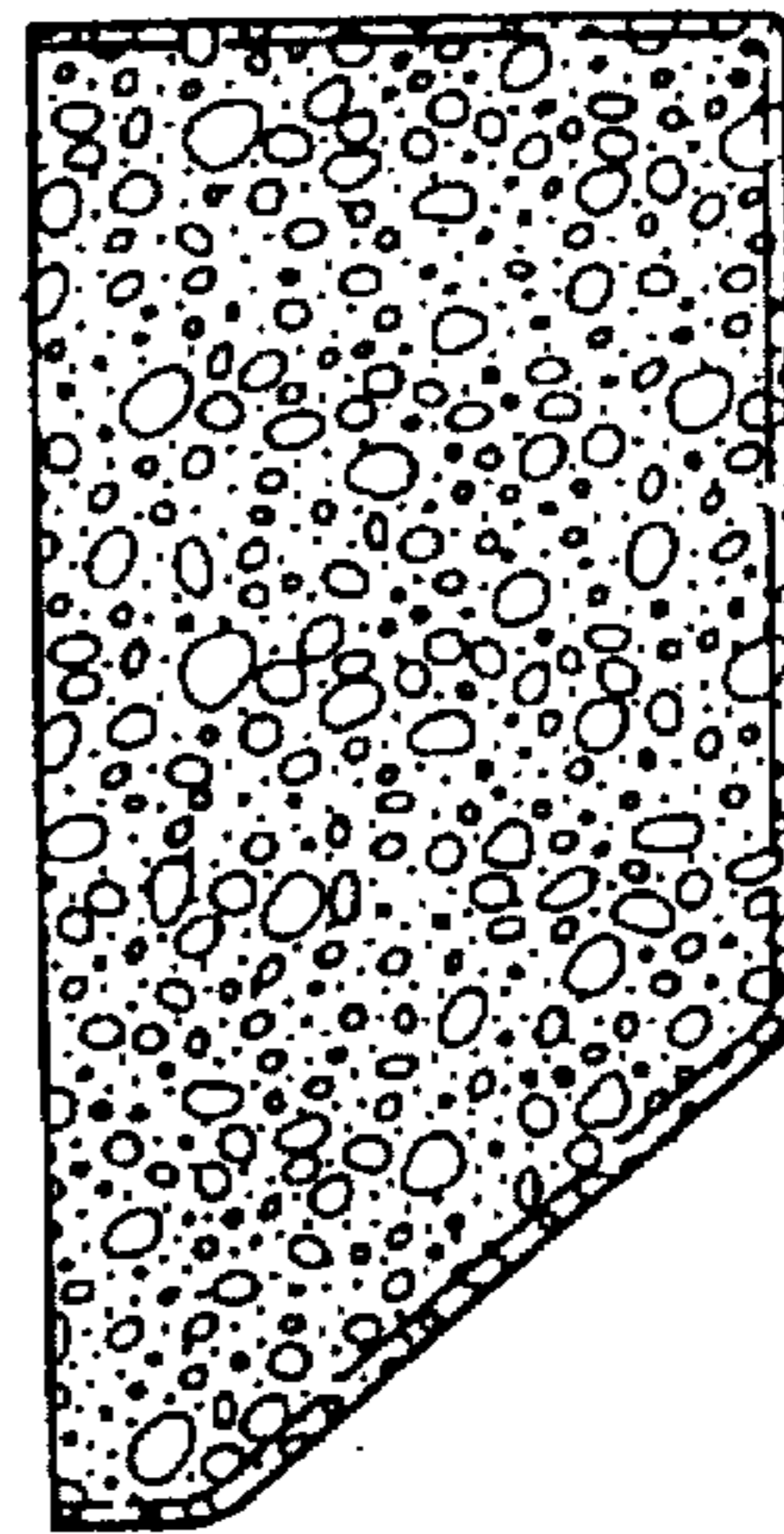


FIG. 4

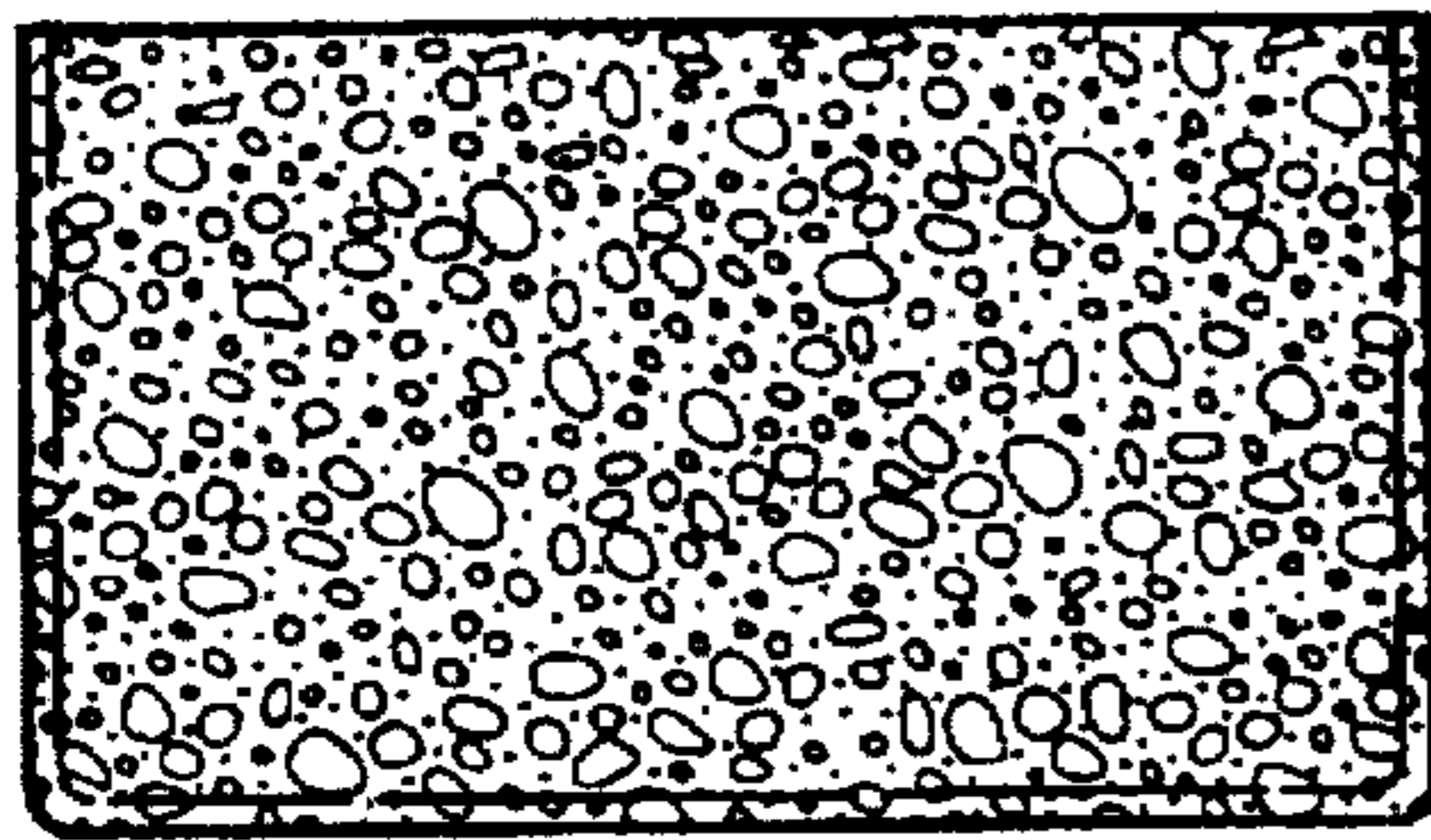


FIG. 5

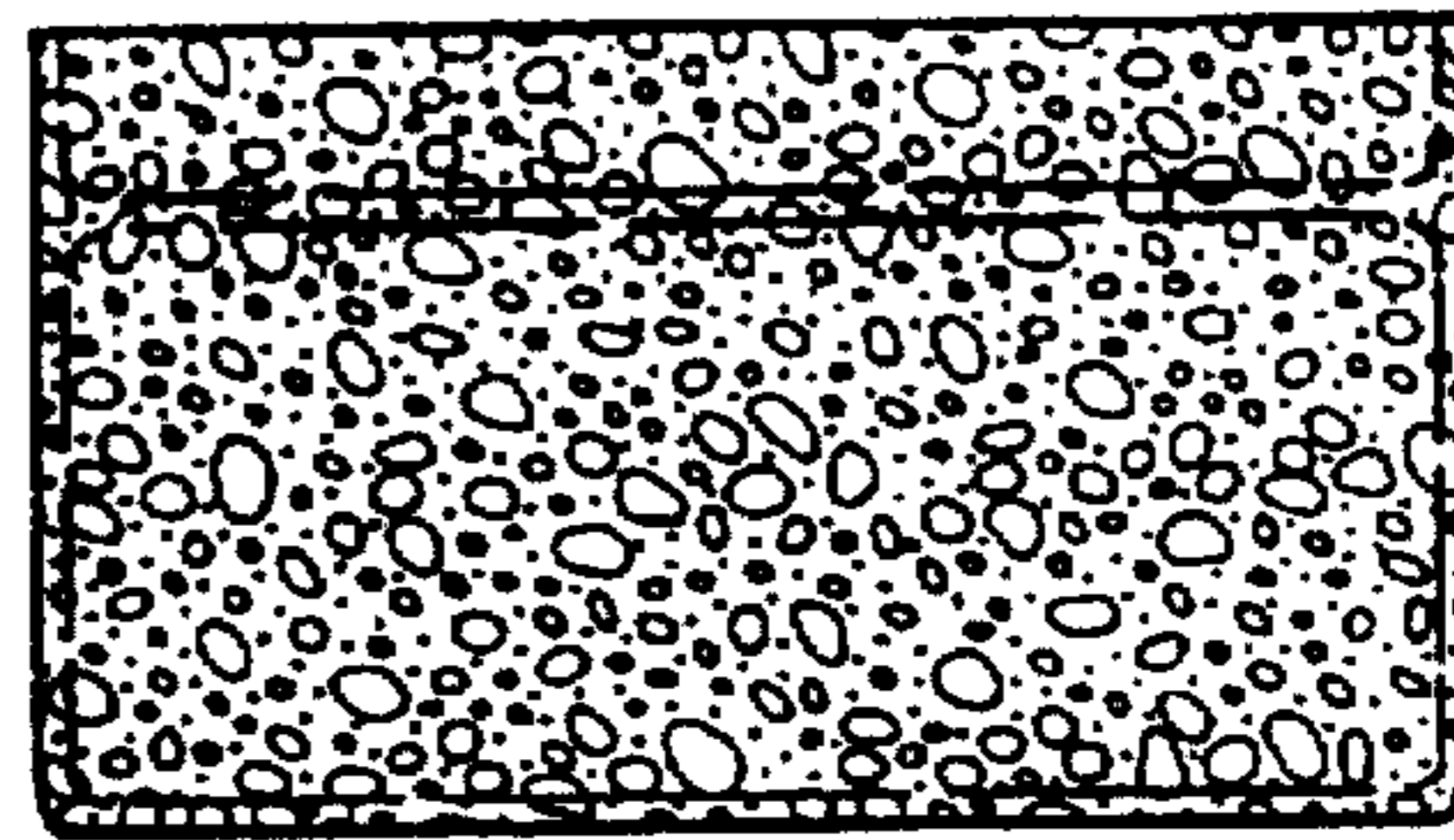


FIG. 6

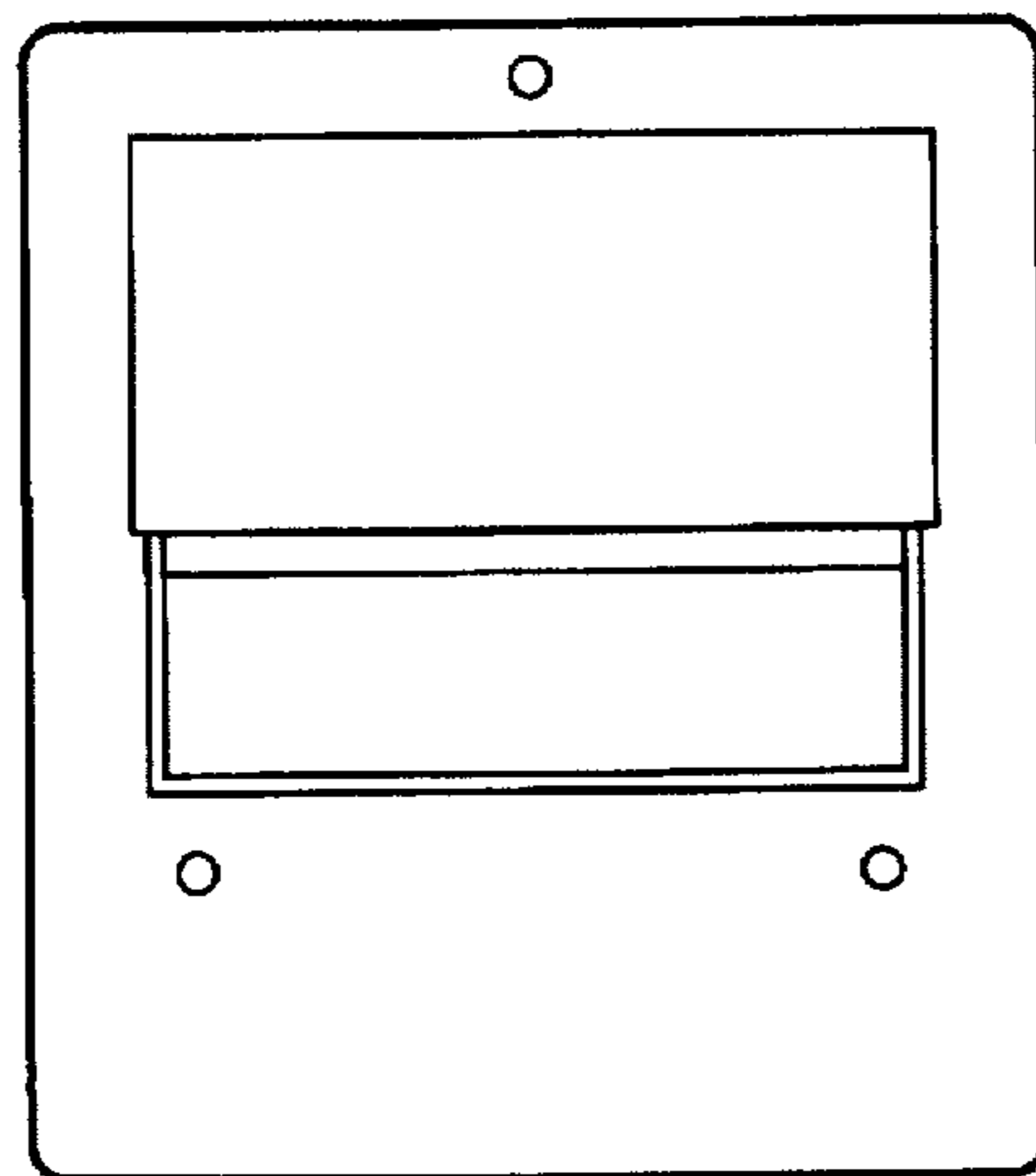


FIG. 7