



US00D393121S

**United States Patent** [19]  
**Doin**

[11] **Patent Number:** **Des. 393,121**  
[45] **Date of Patent:** **\*\*Mar. 31, 1998**

[54] **UNIVERSAL WASTE PAN**

[76] **Inventor:** **Robert B. Doin**, 7 Elmwood Dr., South Glens Falls, N.Y. 12803

[\*\*] **Term:** **14 Years**

[21] **Appl. No.:** **71,962**

[22] **Filed:** **Jun. 10, 1997**

[51] **LOC (6) Cl.** ..... **07-05**

[52] **U.S. Cl.** ..... **D32/74; D8/10**

[58] **Field of Search** ..... **D32/74, 49, 46; 15/257.1, 257.2-257.4, 257.8, 257.9; 294/49, 55, 54.5, 50.5; D8/10**

[56] **References Cited**

**U.S. PATENT DOCUMENTS**

D. 262,686	1/1982	Anderson	.....	D8/10 X
D. 269,129	5/1983	Manfre	.	
D. 280,456	9/1985	Malone	.....	D32/74
D. 325,851	5/1992	Davis	.....	D8/10

D. 335,011	4/1993	Feldman	.....	D32/74
D. 342,358	12/1993	Castro	.....	D32/74
D. 353,978	1/1995	Sargeant	.....	D8/10
2,996,111	8/1961	Mocerino et al.	.	
3,562,840	2/1971	Meszaros	.	
5,365,632	11/1994	Kirchnavy	.....	15/257.3
5,367,737	11/1994	Vosbikian et al.	.....	15/257.2

*Primary Examiner*—Susan J. Lucas  
*Assistant Examiner*—Cynthia E. Ramirez

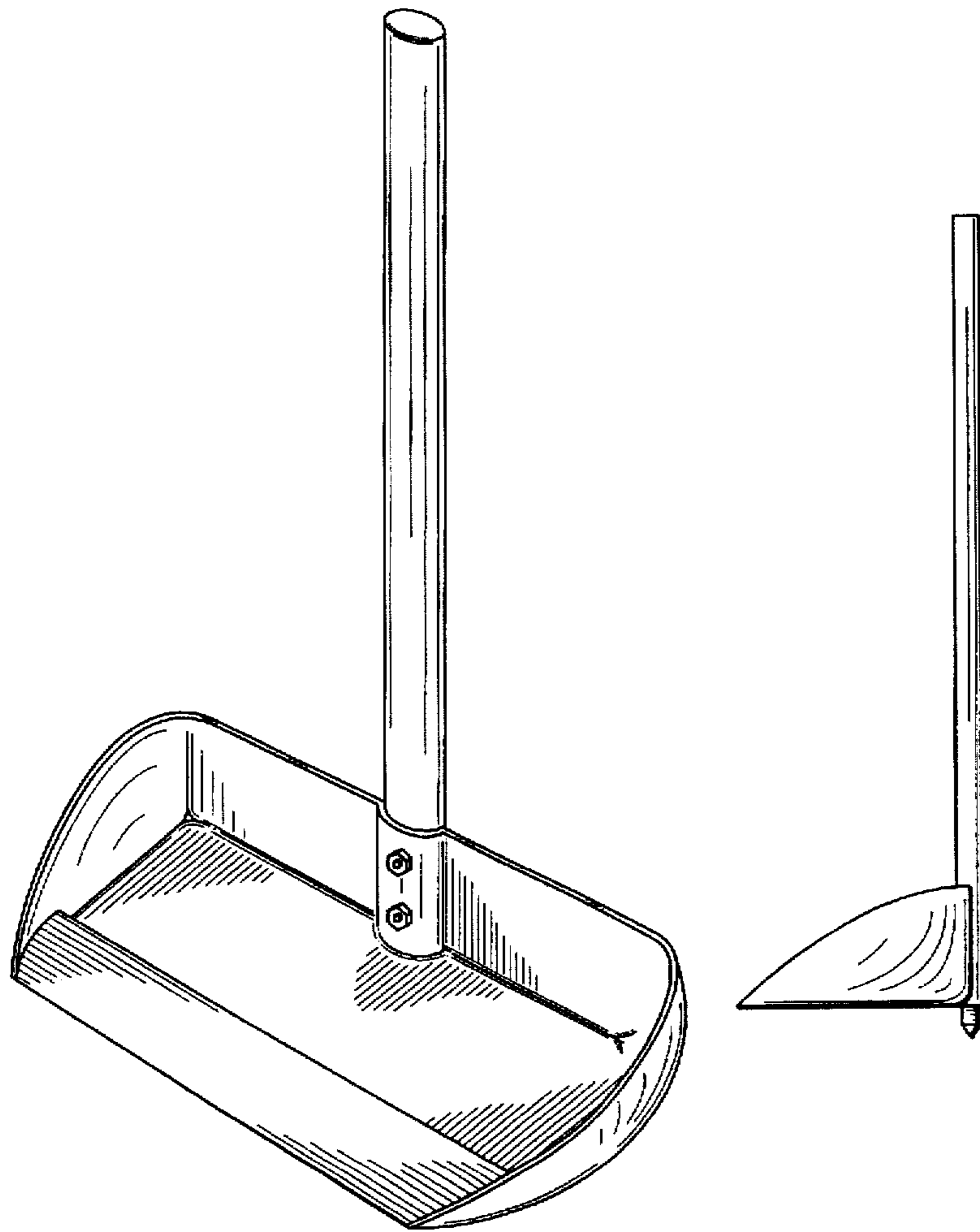
[57] **CLAIM**

The ornamental design for an universal wastepan, as shown.

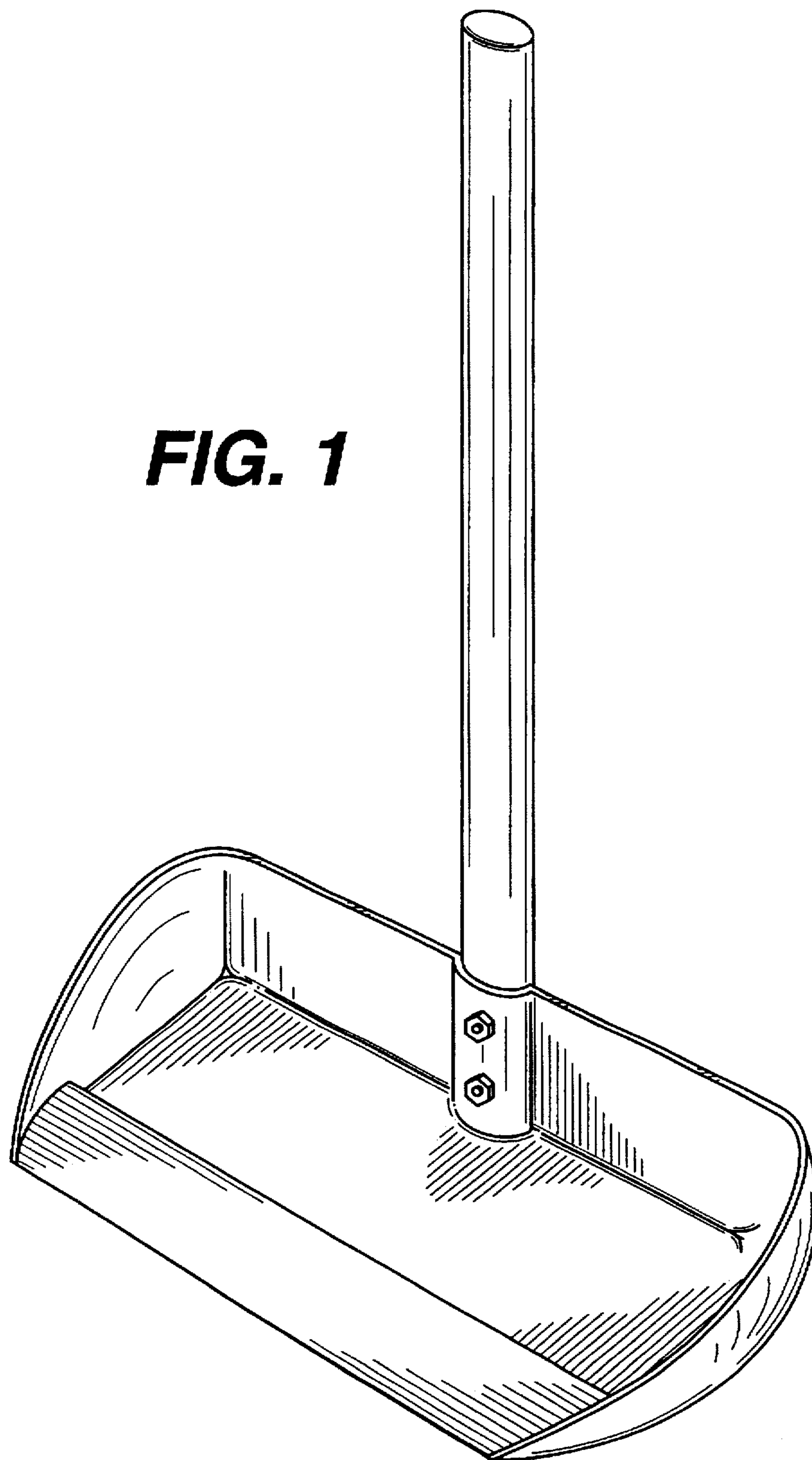
**DESCRIPTION**

FIG. 1 is a frontal perspective view;  
FIG. 2 is a top plan view;  
FIG. 3 is a front elevation view;  
FIG. 4 is a right profile view;  
FIG. 5 is a rear elevation view; and  
FIG. 6 is a bottom plan view.

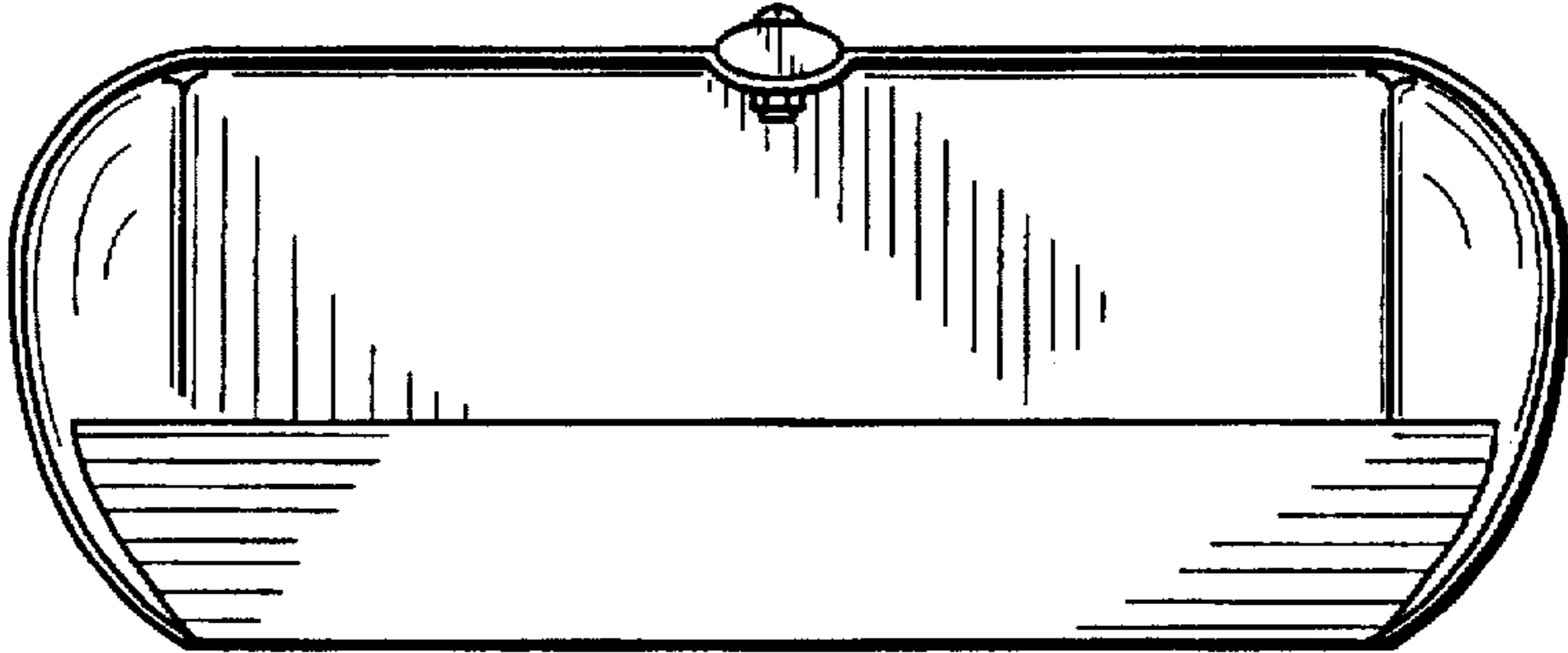
**1 Claim, 4 Drawing Sheets**



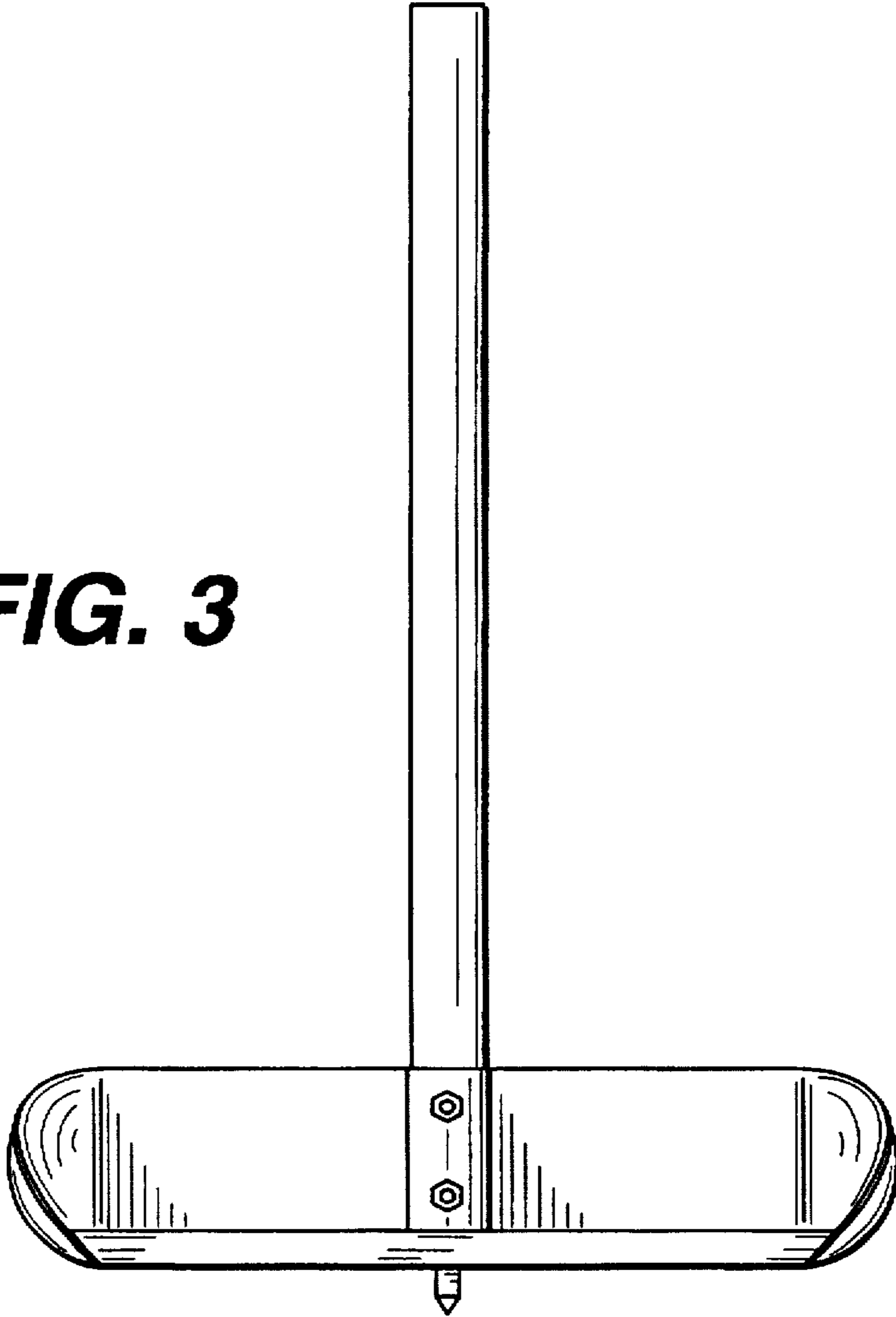
**FIG. 1**



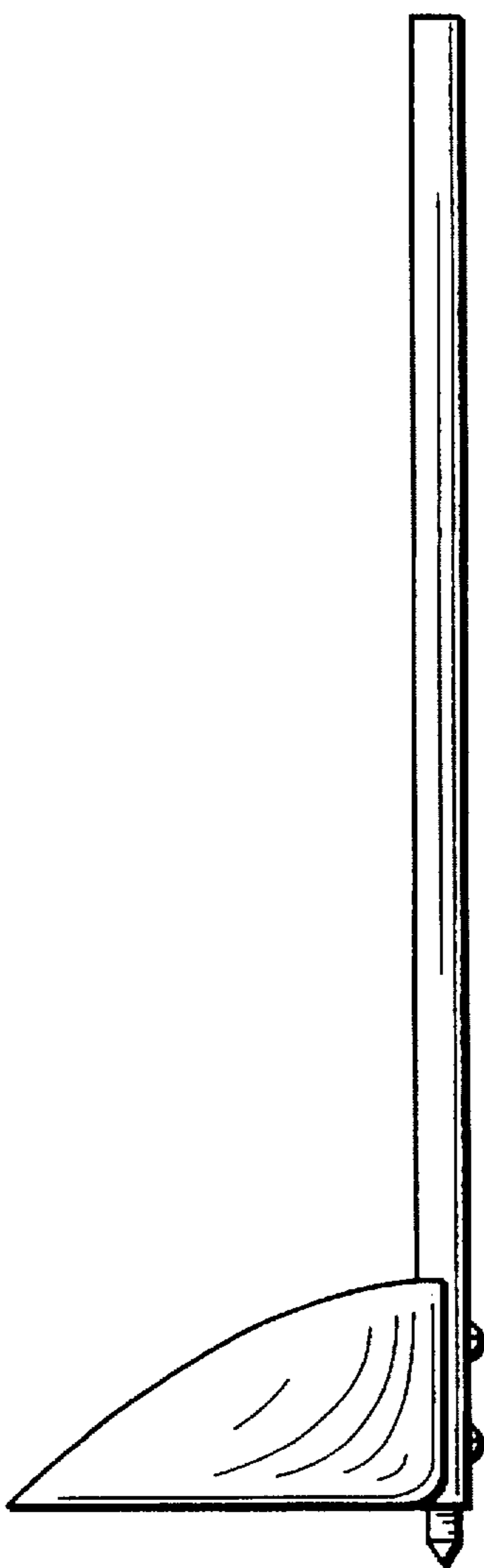
**FIG. 2**

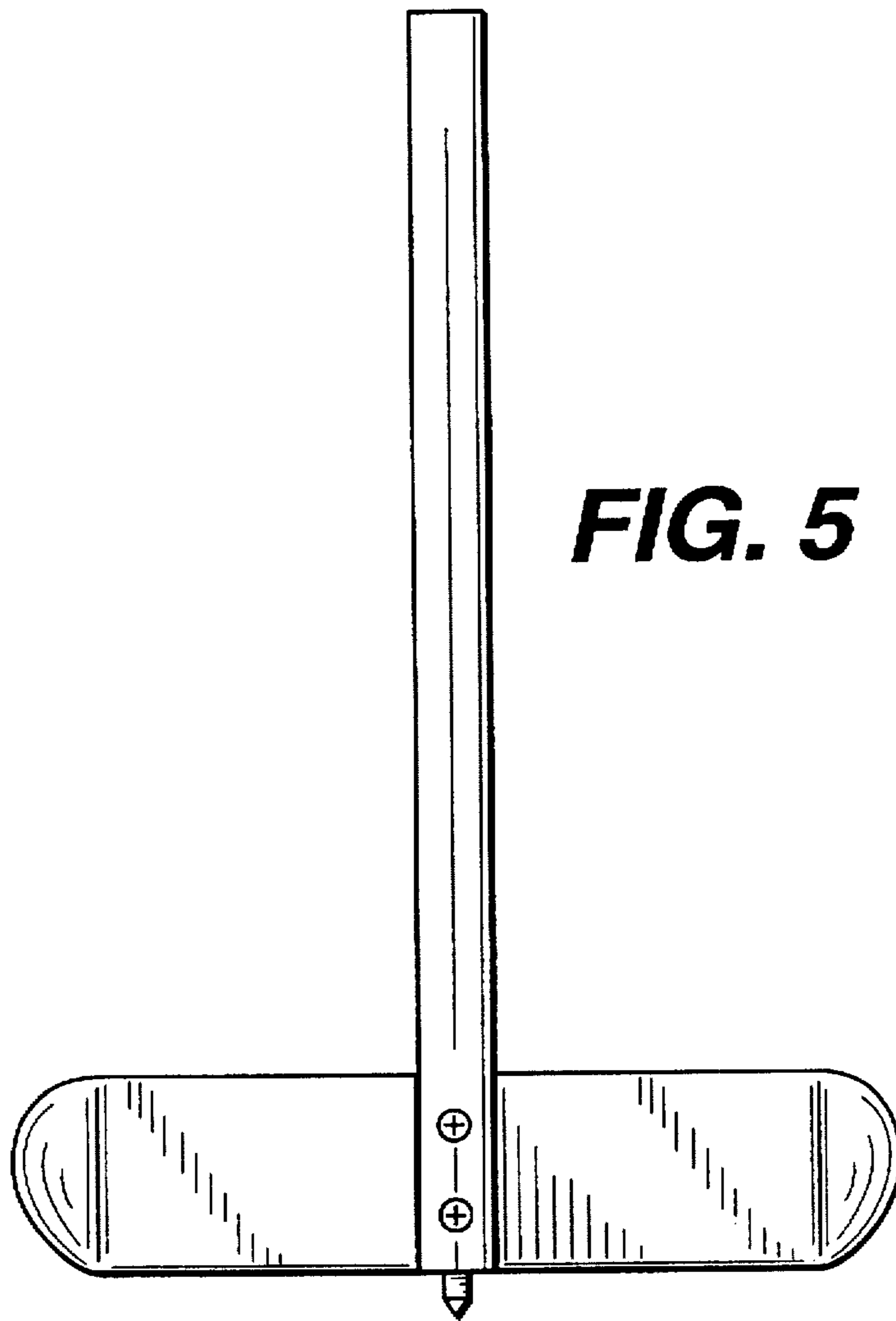


**FIG. 3**

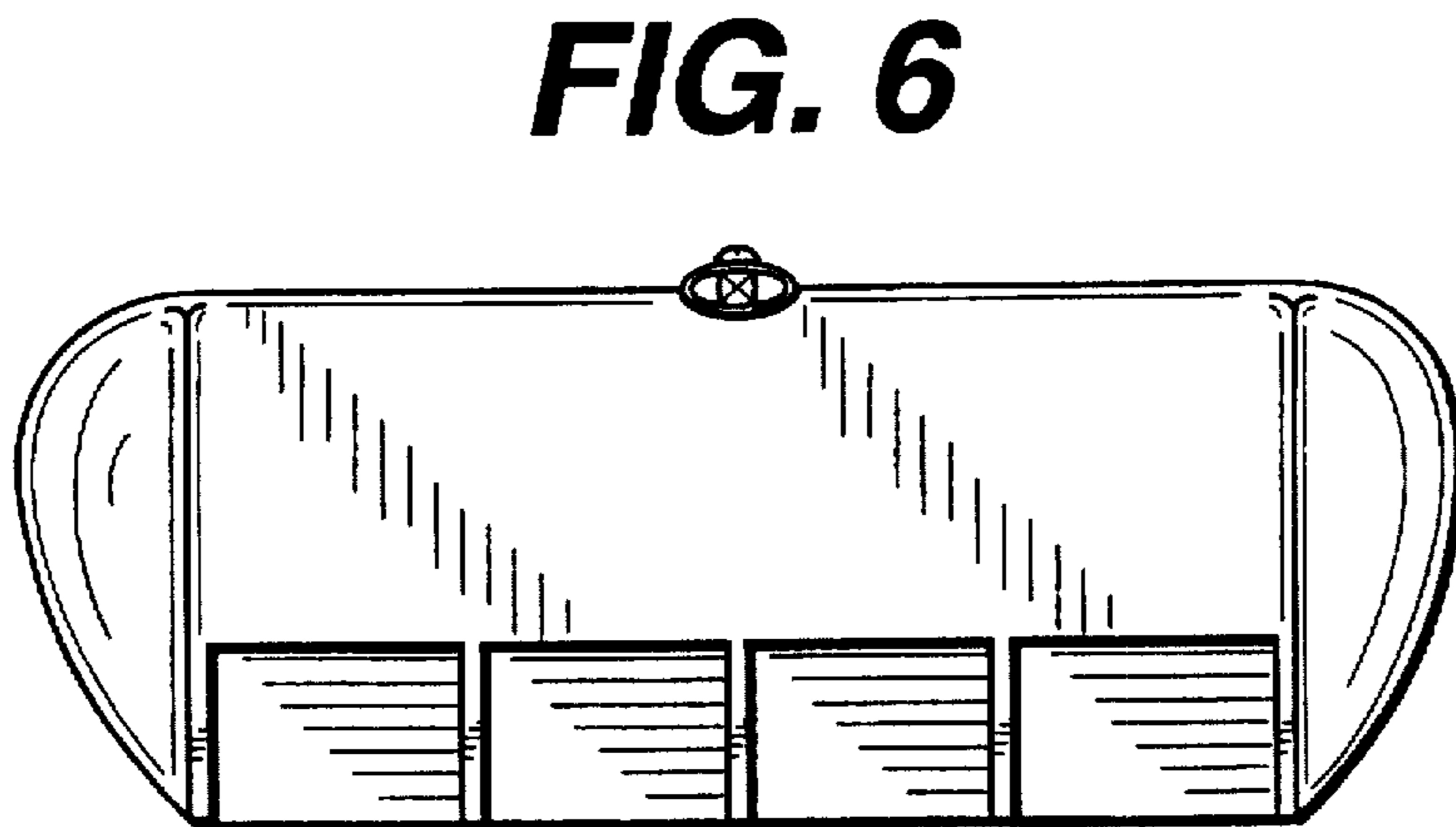


**FIG. 4**





**FIG. 5**



**FIG. 6**