



US00D393120S

United States Patent [19]

[11] Patent Number: Des. 393,120

Leonard et al.

[45] Date of Patent: **Mar. 31, 1998

[54] DUST PAN

[75] Inventors: **Brian Leonard, Durham; Kathryn King McEntee, Beaufort, both of N.C.**

[73] Assignee: **Rubbermaid Incorporated, Wooster, Ohio**

[**] Term: **14 Years**

[21] Appl. No.: **58,110**

[22] Filed: **Aug. 8, 1996**

[51] LOC (6) Cl. **07-05**

[52] U.S. Cl. **D32/74; 15/257.1**

[58] Field of Search **D32/74; 15/257.1, 15/257.4, 257.8, 257.9**

[56] References Cited

U.S. PATENT DOCUMENTS

D. 180,303	5/1957	Timmons	D32/74
D. 194,509	2/1963	Beder	D32/74
D. 254,286	2/1980	Daniel	D32/74
D. 267,592	1/1983	Payne et al.	D32/74
D. 283,062	3/1986	Lordi	D30/99
D. 306,367	2/1990	Vetter	D32/74
D. 323,940	2/1992	Murphy et la.	D4/116
D. 345,238	3/1994	Berti	D32/74
D. 351,705	10/1994	Bird et al.	D34/11
D. 367,745	3/1996	Feldman	D32/74
374,988	12/1887	Mignault .		
1,315,310	9/1919	Kelley .		
1,908,730	5/1933	Caldwell et al. .		
2,255,715	9/1941	Samms	65/62
2,553,727	5/1951	Schultz	65/62
2,651,924	9/1953	Lawrence	D32/74 X
5,012,542	5/1991	Lynn	15/257.4 X
5,172,823	12/1992	Moeteli	220/334
5,190,326	3/1993	Nunn	15/257.4 X
5,367,737	11/1994	Vosbikian	15/257.2

OTHER PUBLICATIONS

Sell sheet, Dustpan; Sterilite Corporation, P. O. Box 524, Townsend, Massachusetts 01469. Published at least as early as May, 1996.

Catalog page, Dustpans; Sterilite Corporation, P. O. Box 524, Townsend, Massachusetts 01469. Published at least as early as May, 1996.

Catalog page, Dustpans; Tucker Housewares, 25 Tucker Drive, Leominster, Massachusetts 01453. Published at least as early as May, 1996.

Catalog page, Dustpan; Tamor Plastics Corp., P. O. Box 1186, Leominster, Massachusetts 01453. Published at least as early as May, 1996.

Catalog page, Dustpan; Viking Brush Ltd., 5317 Drolet Street, Montreal, Quebec, Canada H2T 2H5. Publication date Jan., 1987.

Catalog page, Dustpans; W. E. Kautenberg Co., 1235 South Adams Avenue, P. O. Box 90, Freeport, Illinois 61032. Published at least as early as 1993.

P. 43, Dustpans; W. E. Kautenberg Co., 1235 South Adams Avenue, P. O. Box 90, Freeport, Illinois 61032. Published at least as early as 1993.

Pp. 10, 11, 12 and 13, Dustpans; Empire Brushes, Inc., U.S. Highway 13 North, P.O. Box 1606, Greenville, North Carolina 27835. Publication date May, 1993.

Catalog page, Dustpans; Rubbermaid Incorporated, 1147 Akron Road, Wooster, Ohio 44691. Publication date 1992.

Primary Examiner—Susan J. Lucas

Assistant Examiner—Cynthia E. Ramirez

Attorney, Agent, or Firm—Richard B. O'Planick; Lisa B. Riedesel

[57] CLAIM

The ornamental design for a dust pan, as shown and described.

DESCRIPTION

FIG. 1 is a bottom right front perspective view of a dust pan showing our new design;

FIG. 2 is a bottom plan view thereof;

FIG. 3 is a top plan view thereof;

FIG. 4 is a rear elevational view thereof;

FIG. 5 is a front elevational view thereof;

FIG. 6 is a right side elevational view thereof; the left side elevational being a mirror image;

FIG. 7 is a bottom right front perspective view of an alternate embodiment of a dust pan showing our new design;

FIG. 8 is a bottom plan view of the alternate embodiment;

FIG. 9 is a top plan view of the alternate embodiment;

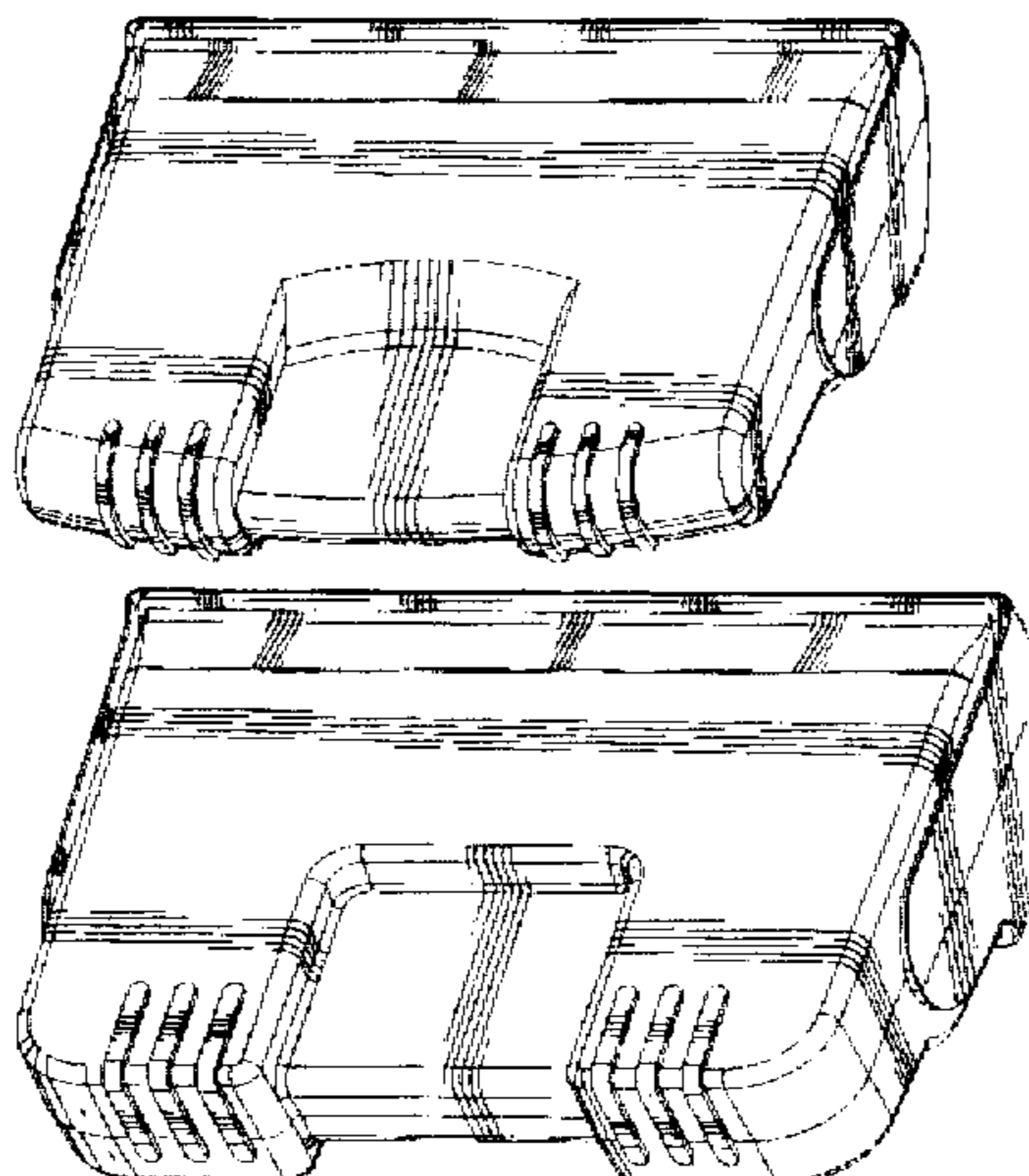


FIG. 10 is a right side elevational view of the alternate embodiment; the left side elevational view being a mirror image;

FIG. 11 is a rear elevational view of the alternate embodiment; and,

FIG. 12 is a front elevational view of the alternate embodiment.

1 Claim, 11 Drawing Sheets

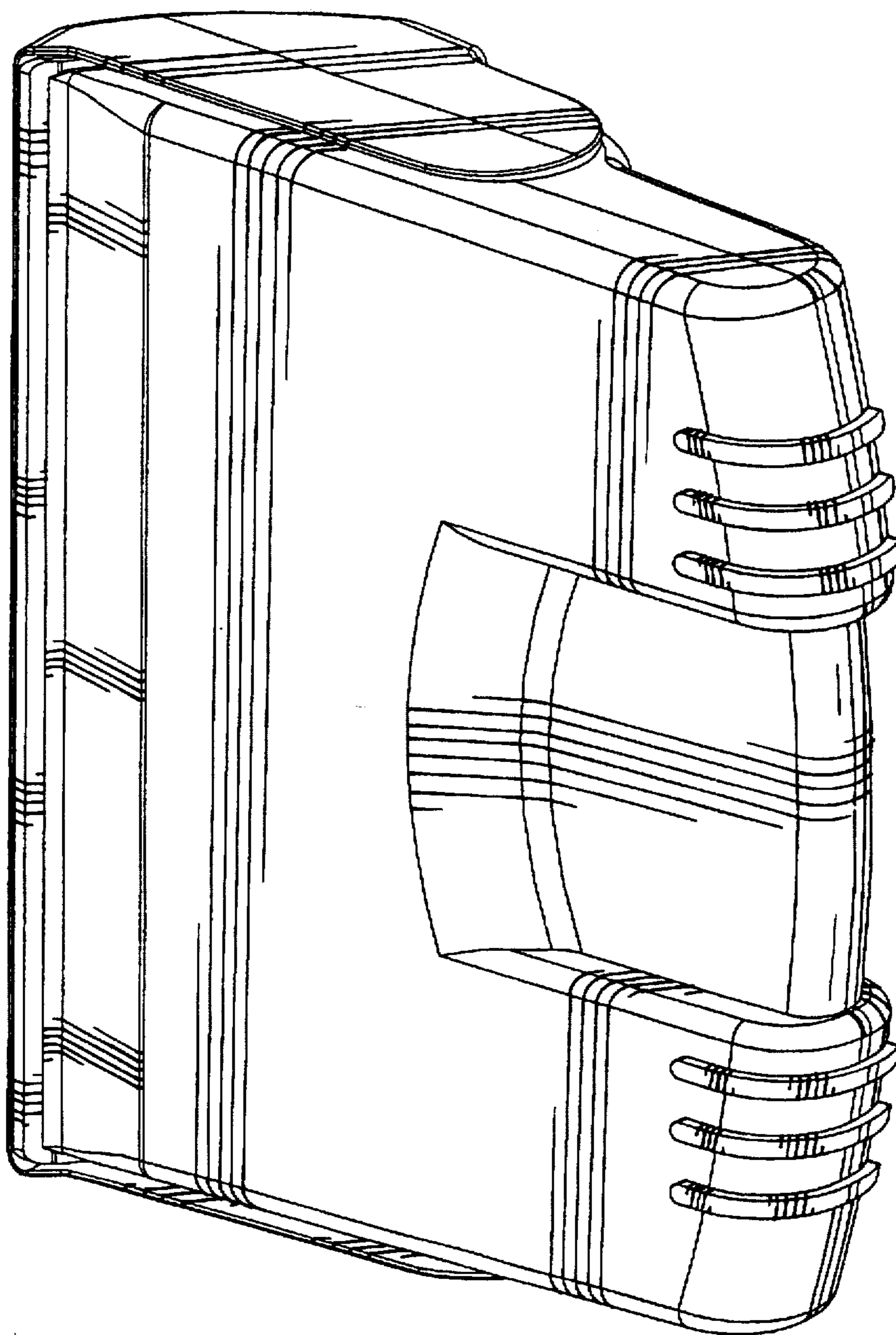


FIG. 1

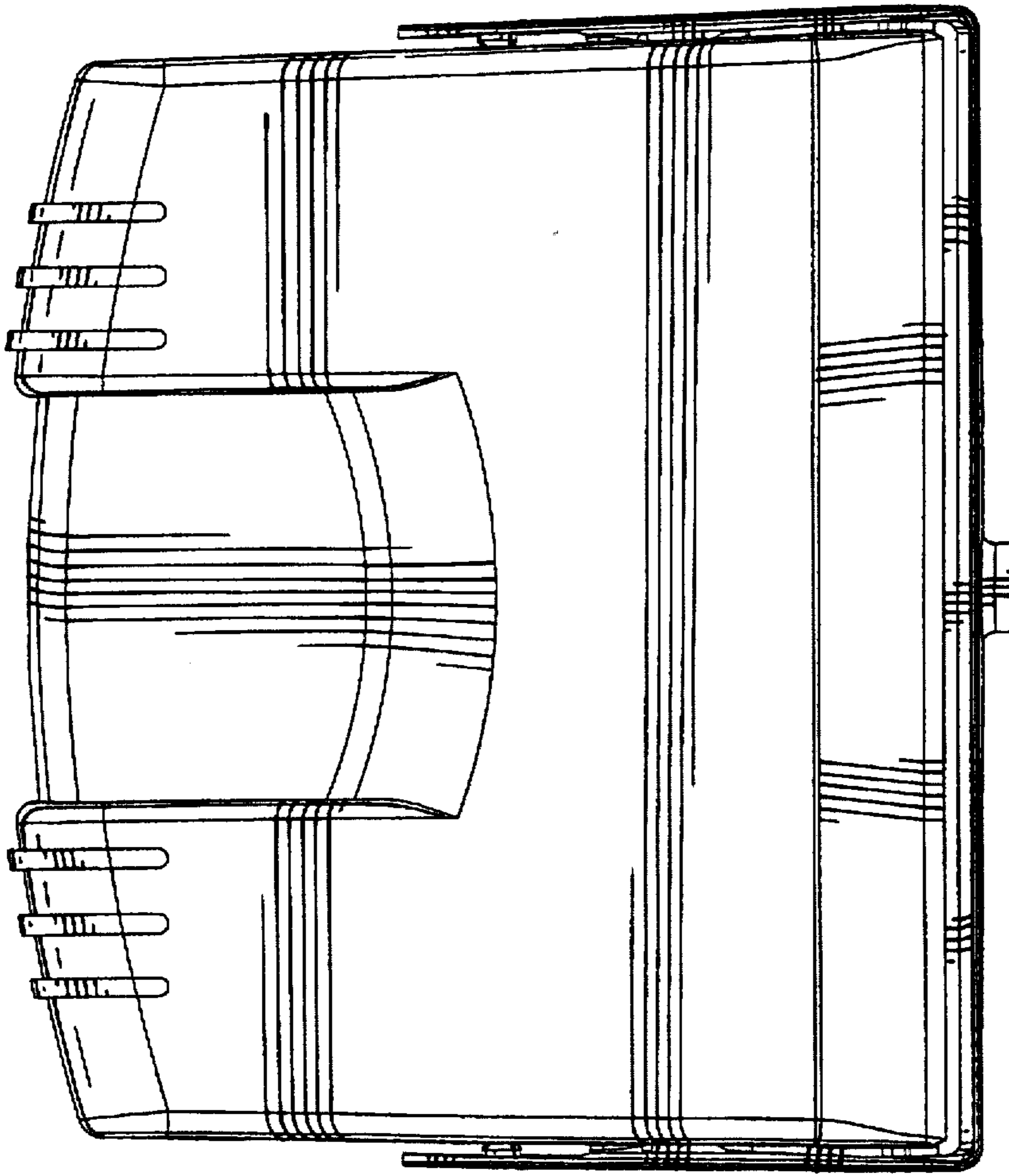


FIG. 2

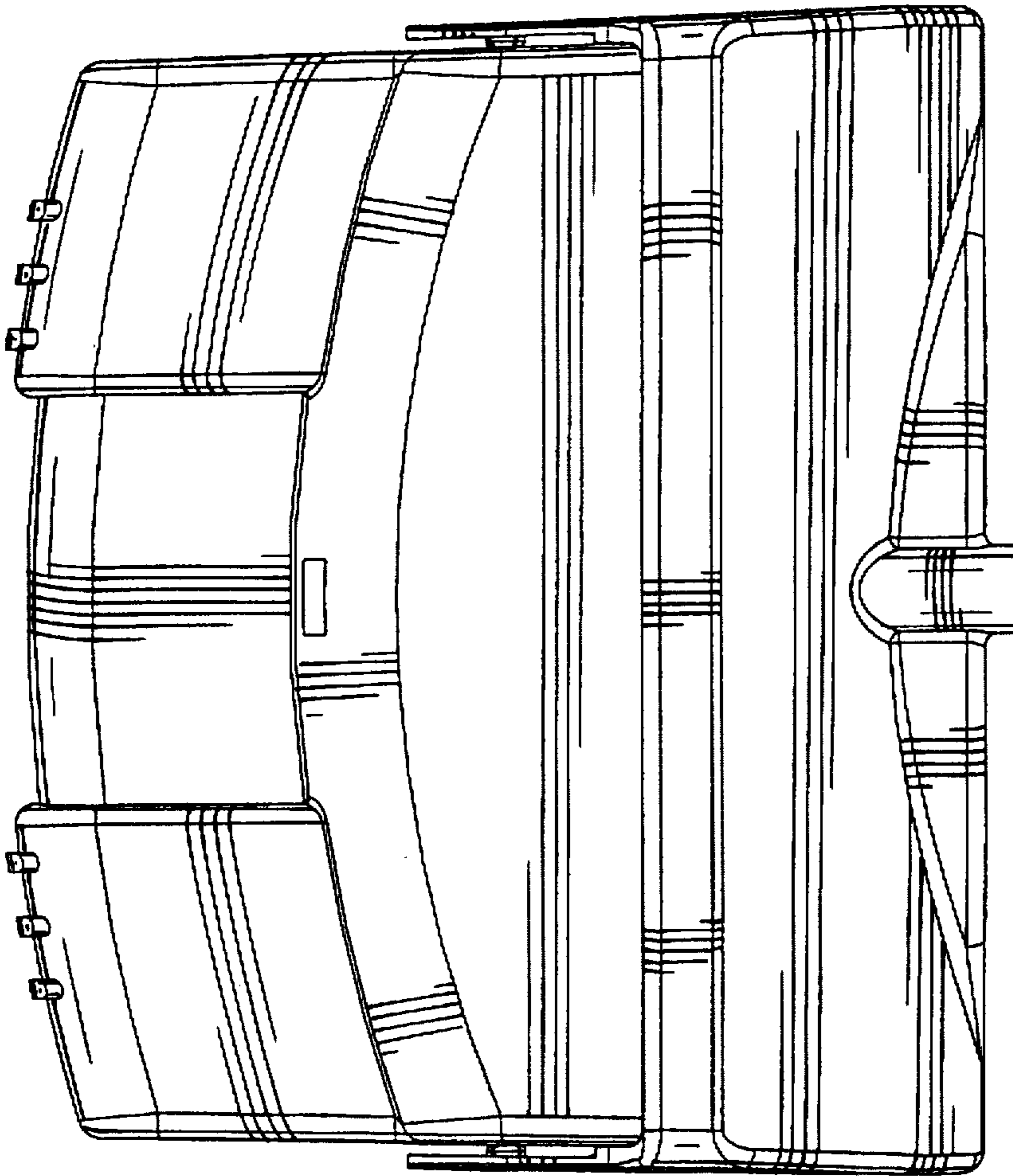


FIG. 3

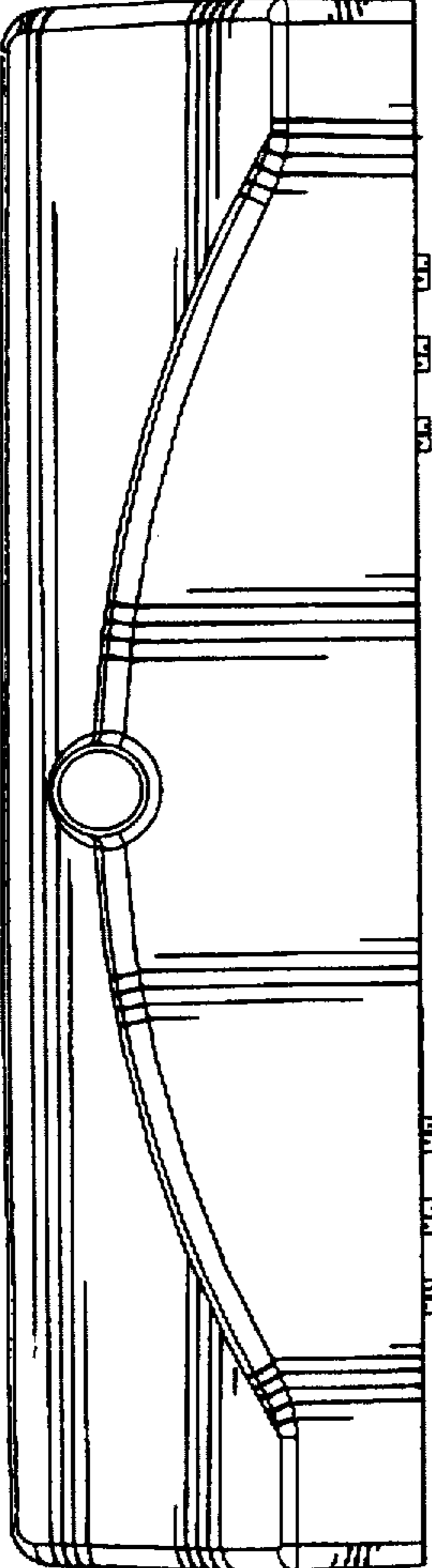


FIG. 4

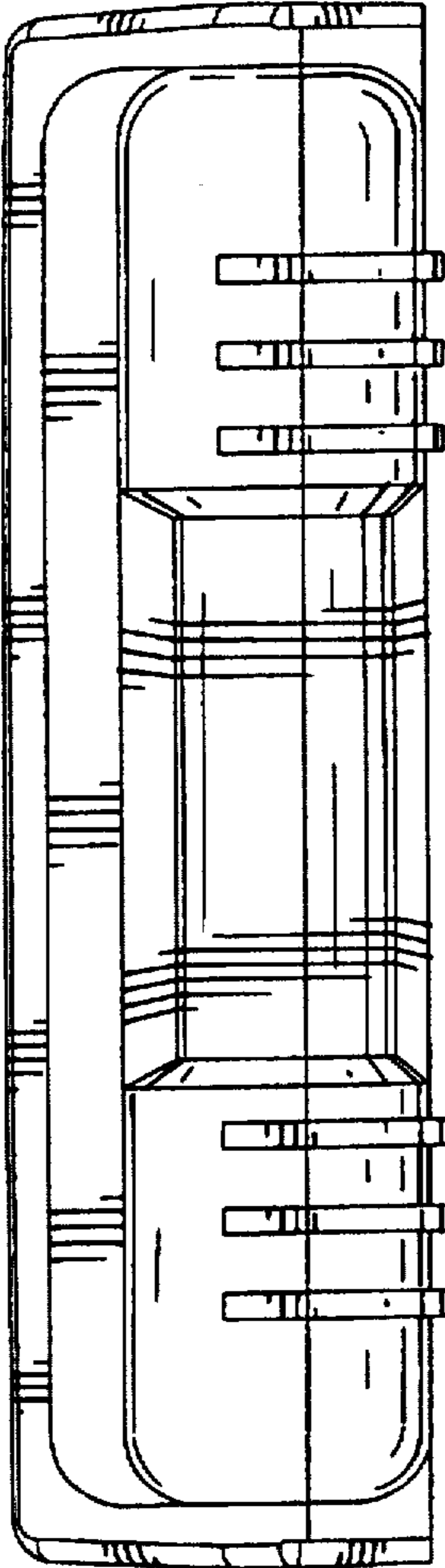


FIG. 5

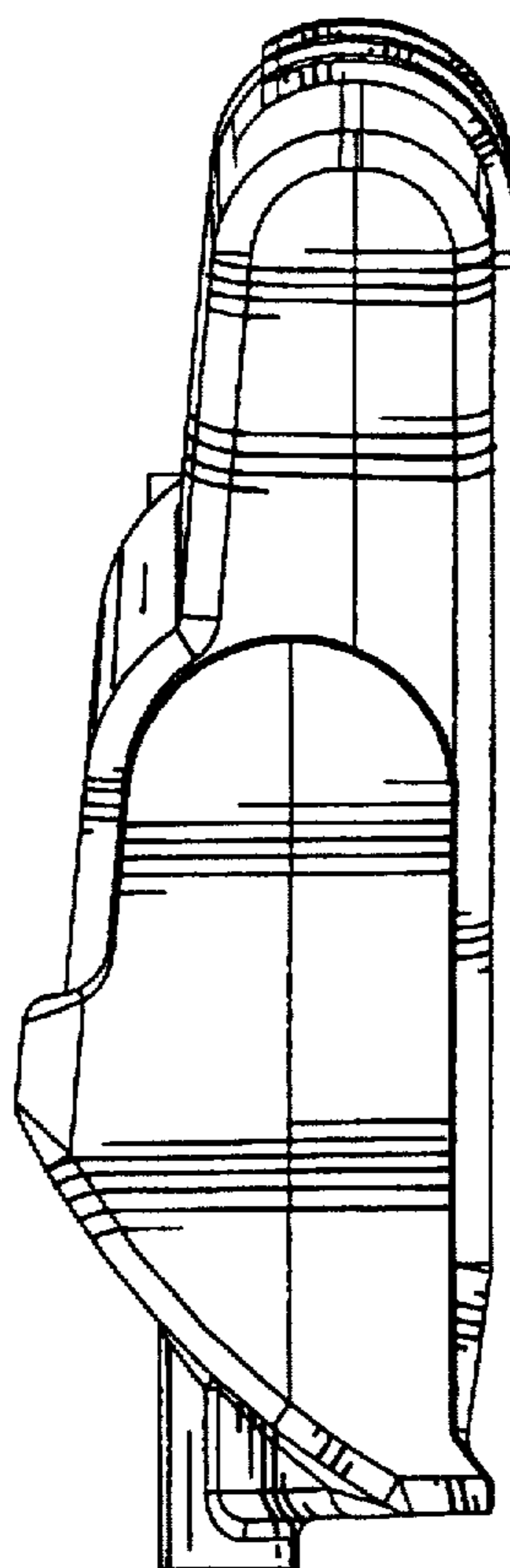


FIG. 6

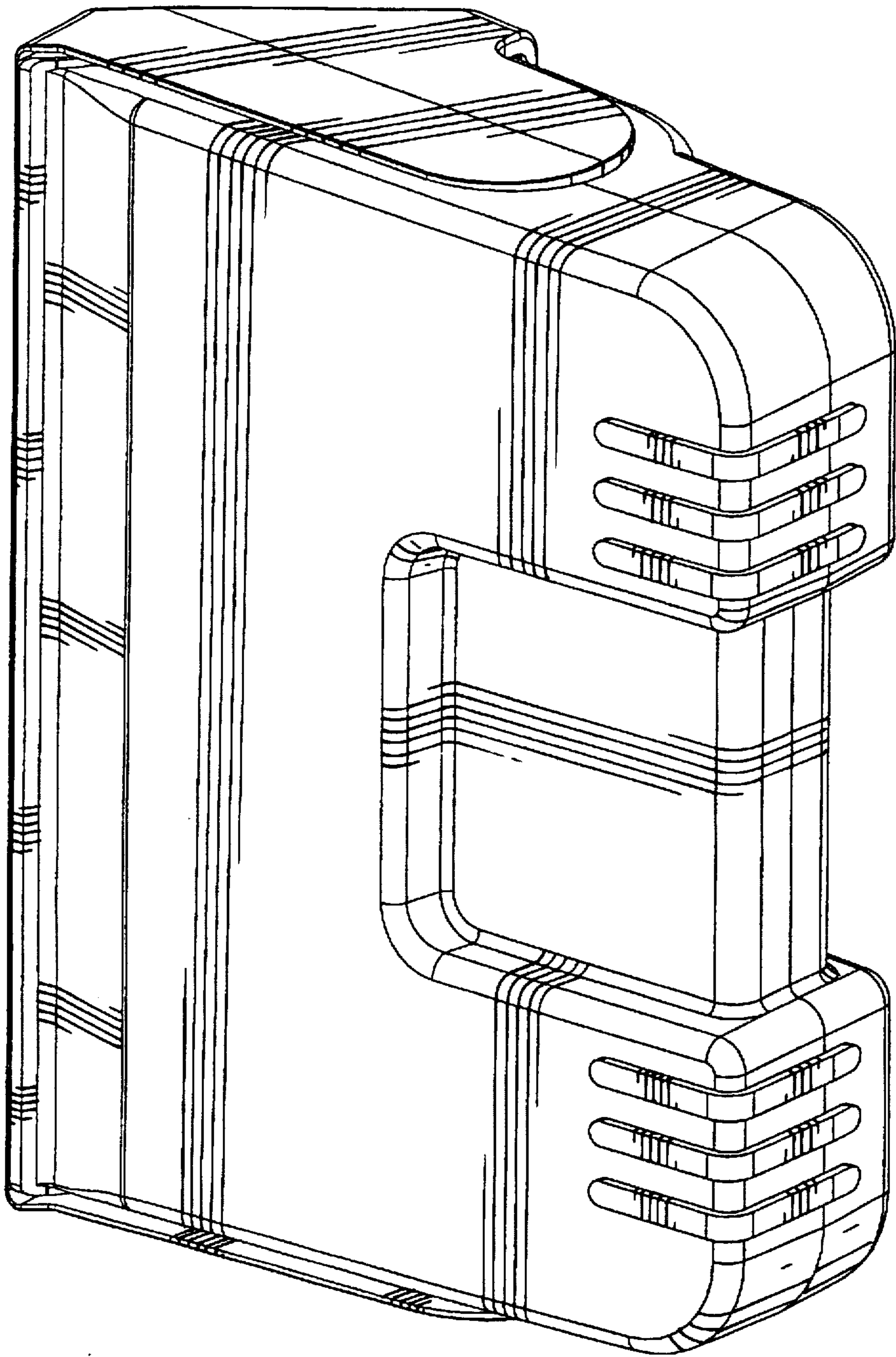


FIG. 7

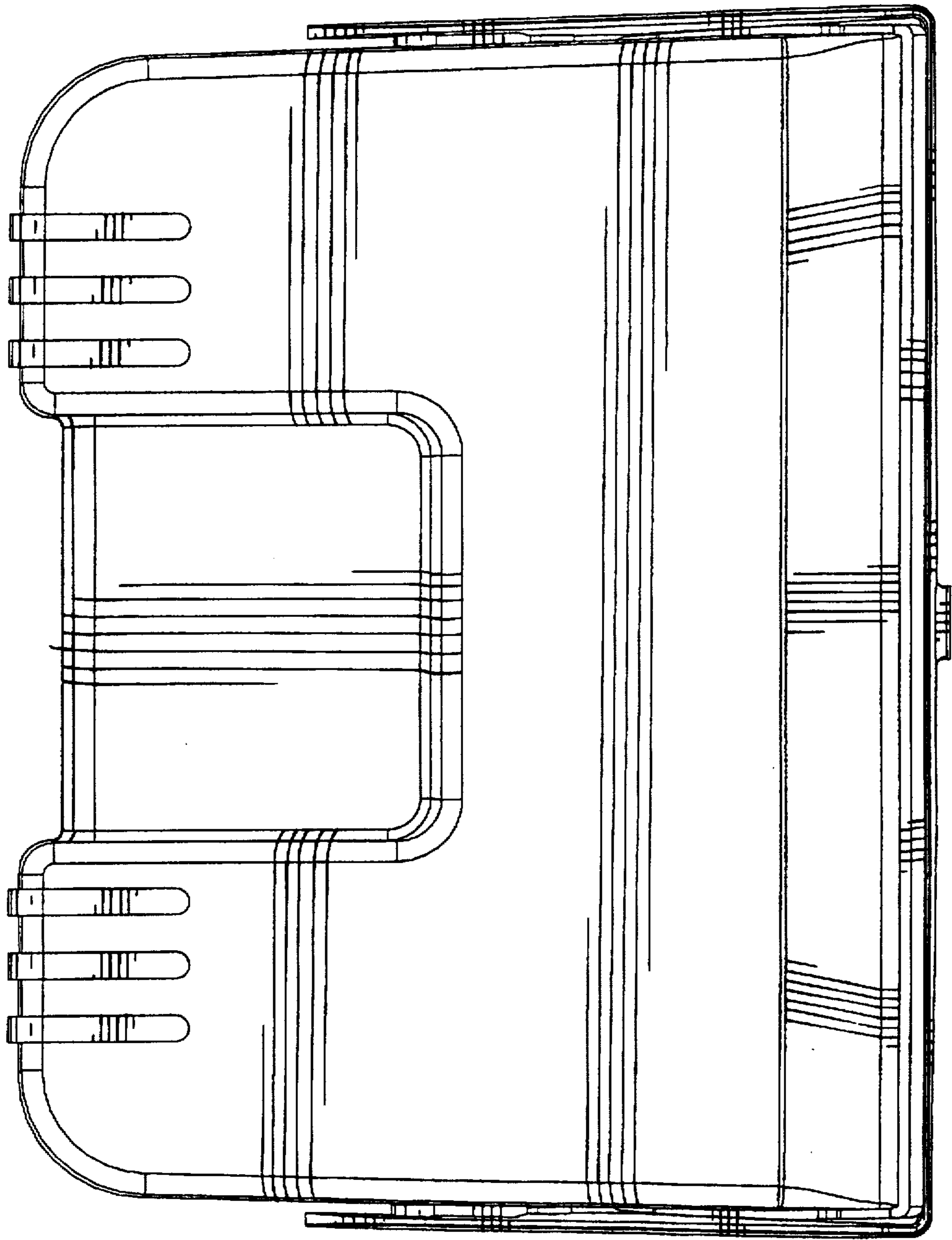


FIG. 8

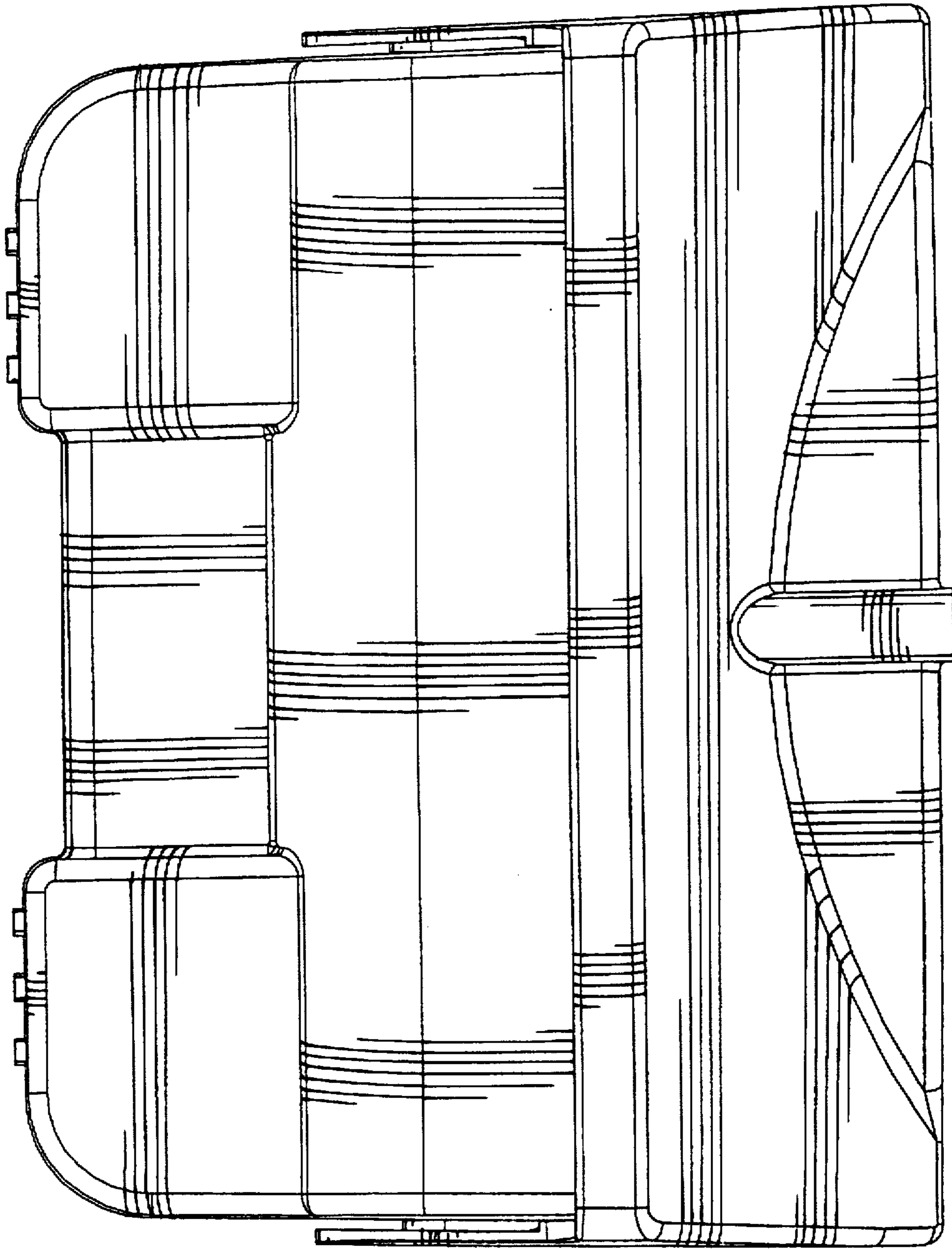


FIG. 9

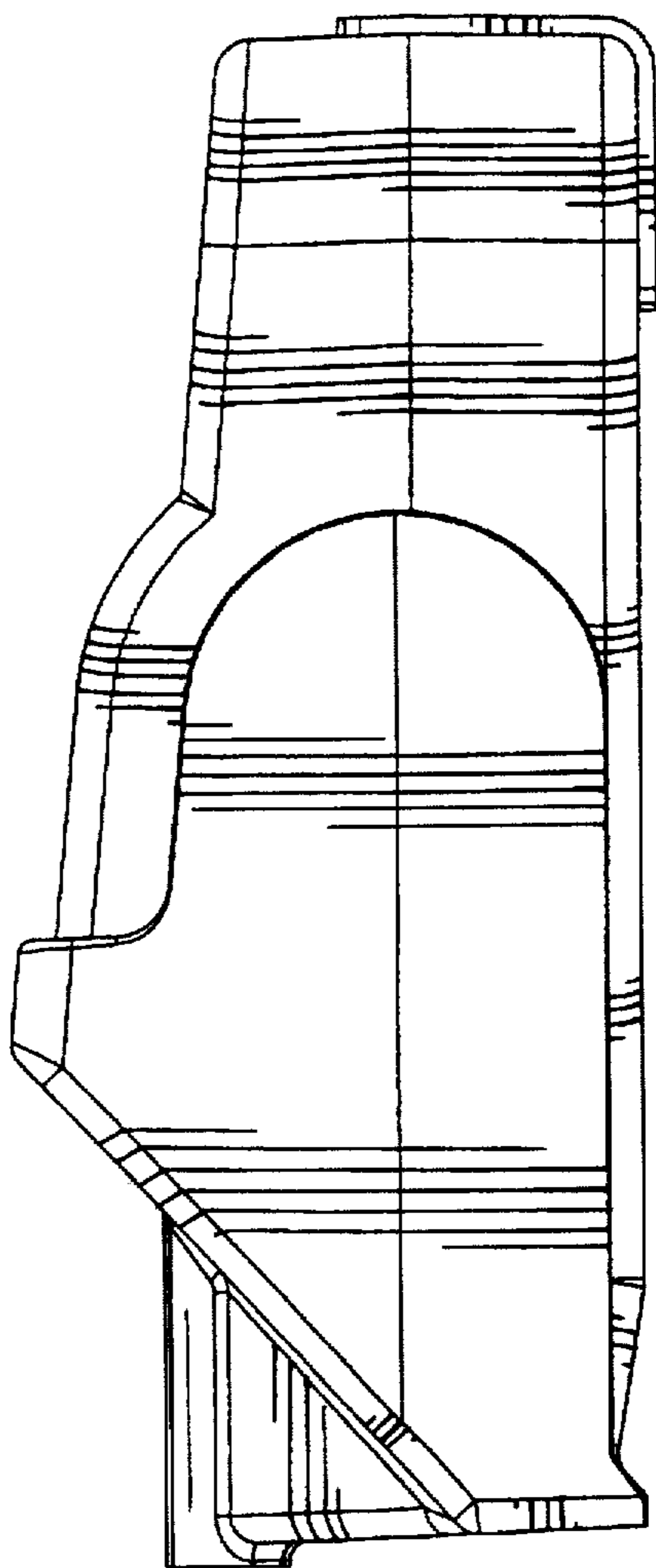


FIG. 10

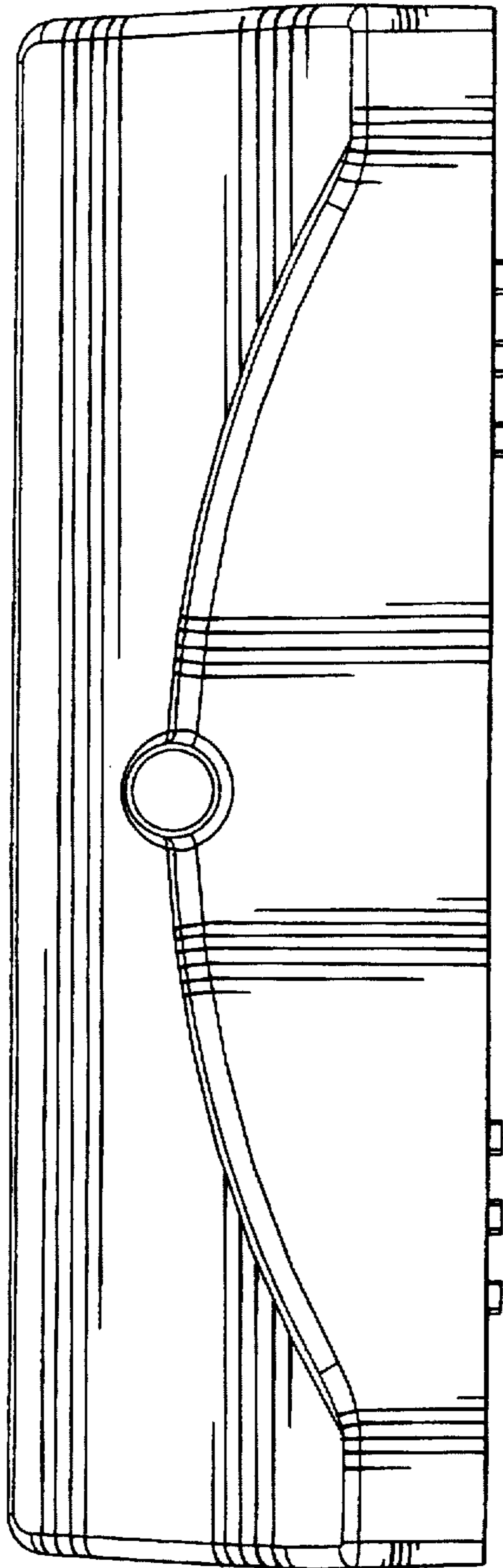


FIG. 11

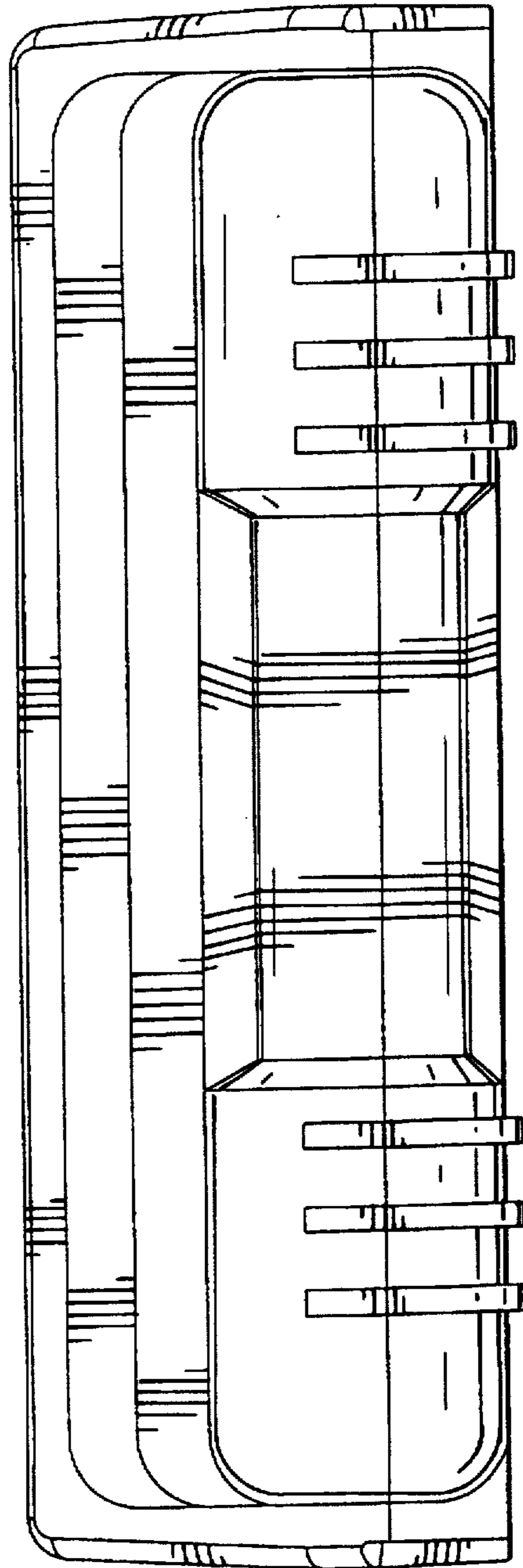


FIG. 12