



US00D393119S

United States Patent [19] Pool

[11] Patent Number: Des. 393,119

[45] Date of Patent: **Mar. 31, 1998

[54] IRON HOLDER

[76] Inventor: Dale R. Pool, 6208 68th Ave. North,
Brooklyn Park, Minn. 55429

[**] Term: 14 Years

[21] Appl. No.: 45,817

[22] Filed: Oct. 31, 1995

Related U.S. Application Data

[63] Continuation-in-part of Ser. No. 29,863, Oct. 18, 1994, Pat.
No. Des. 369,006.

[51] LOC (6) Cl. 07-05

[52] U.S. Cl. D32/73

[58] Field of Search D32/73, 71, 66,
D32/68; 38/94, 96, 103, 104, 106; D8/370;
248/126, 133, 463.1, 112, 107, 153, 175,
218.11, 249, 502

[56] References Cited

U.S. PATENT DOCUMENTS

D. 207,066 2/1967 Nelson D32/73

D. 311,618	10/1990	Mattesky	D32/73
1,523,555	1/1925	Murphy	248/117.6
2,603,438	7/1952	Adams	248/117.1
3,027,129	3/1962	Sordie	248/117.7
3,370,816	2/1968	Michaud	248/117.6

Primary Examiner—Susan J. Lucas
Assistant Examiner—Cynthia Ramirez
Attorney, Agent, or Firm—Hugh D. Jaeger

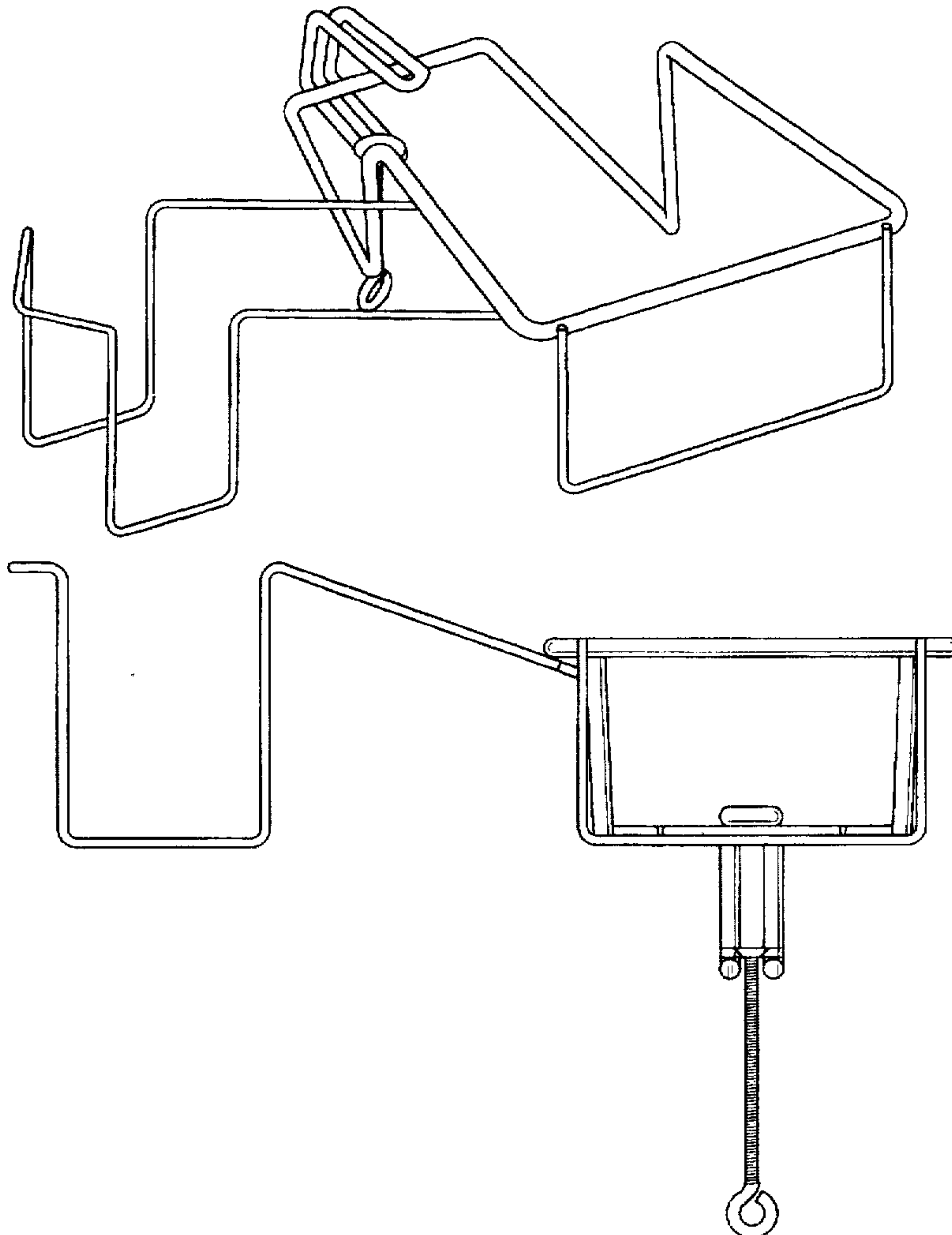
[57] CLAIM

The ornamental design for an iron holder, as shown.

DESCRIPTION

FIG. 1 illustrates a perspective view of an iron holder showing my new design;
FIG. 2 illustrates a front view thereof;
FIG. 3 illustrates a left side view thereof;
FIG. 4 illustrates a right side view thereof;
FIG. 5 illustrates a top view thereof;
FIG. 6 illustrates a rear view thereof; and,
FIG. 7 illustrates a bottom view thereof.

1 Claim, 7 Drawing Sheets



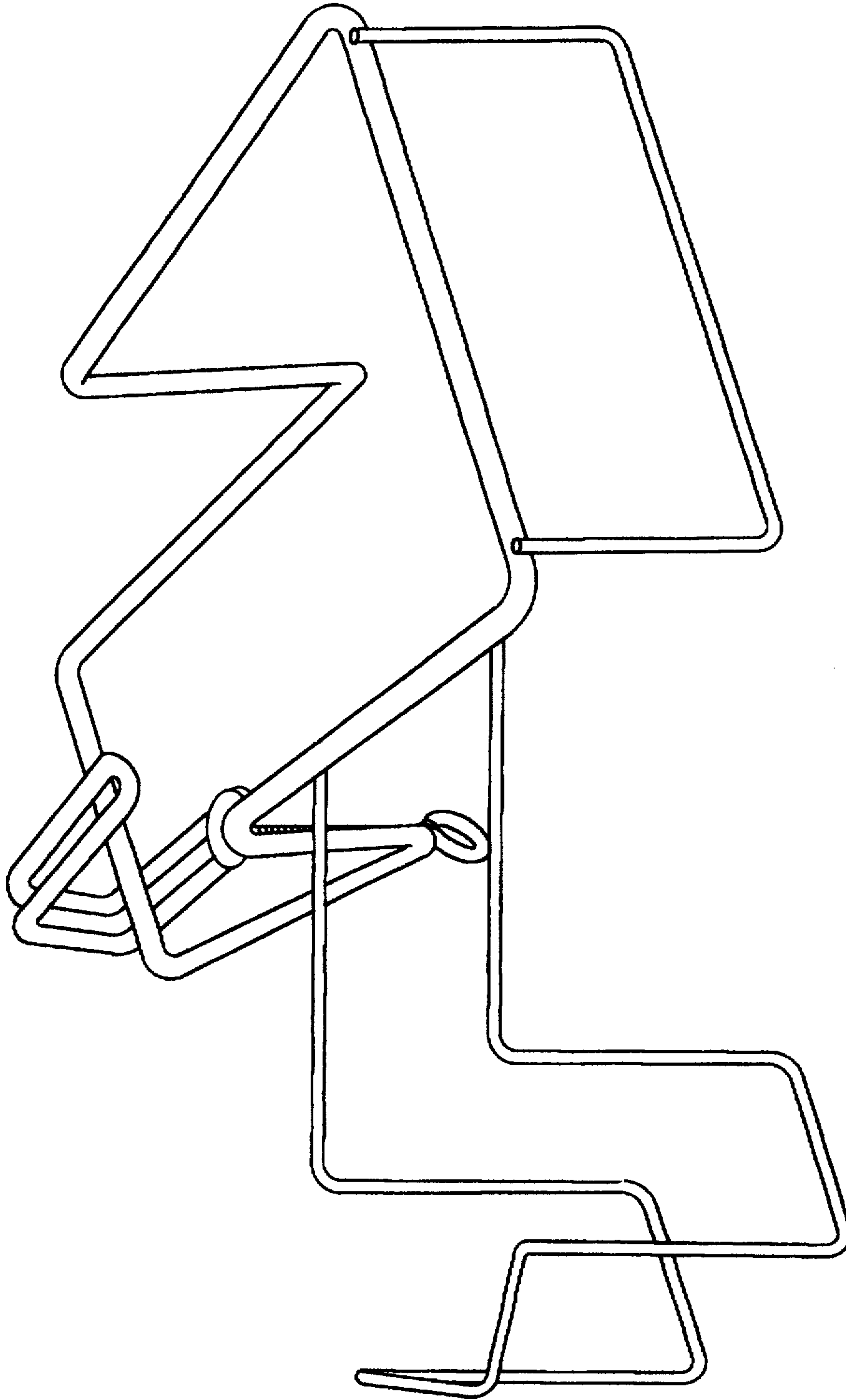


FIG. 1

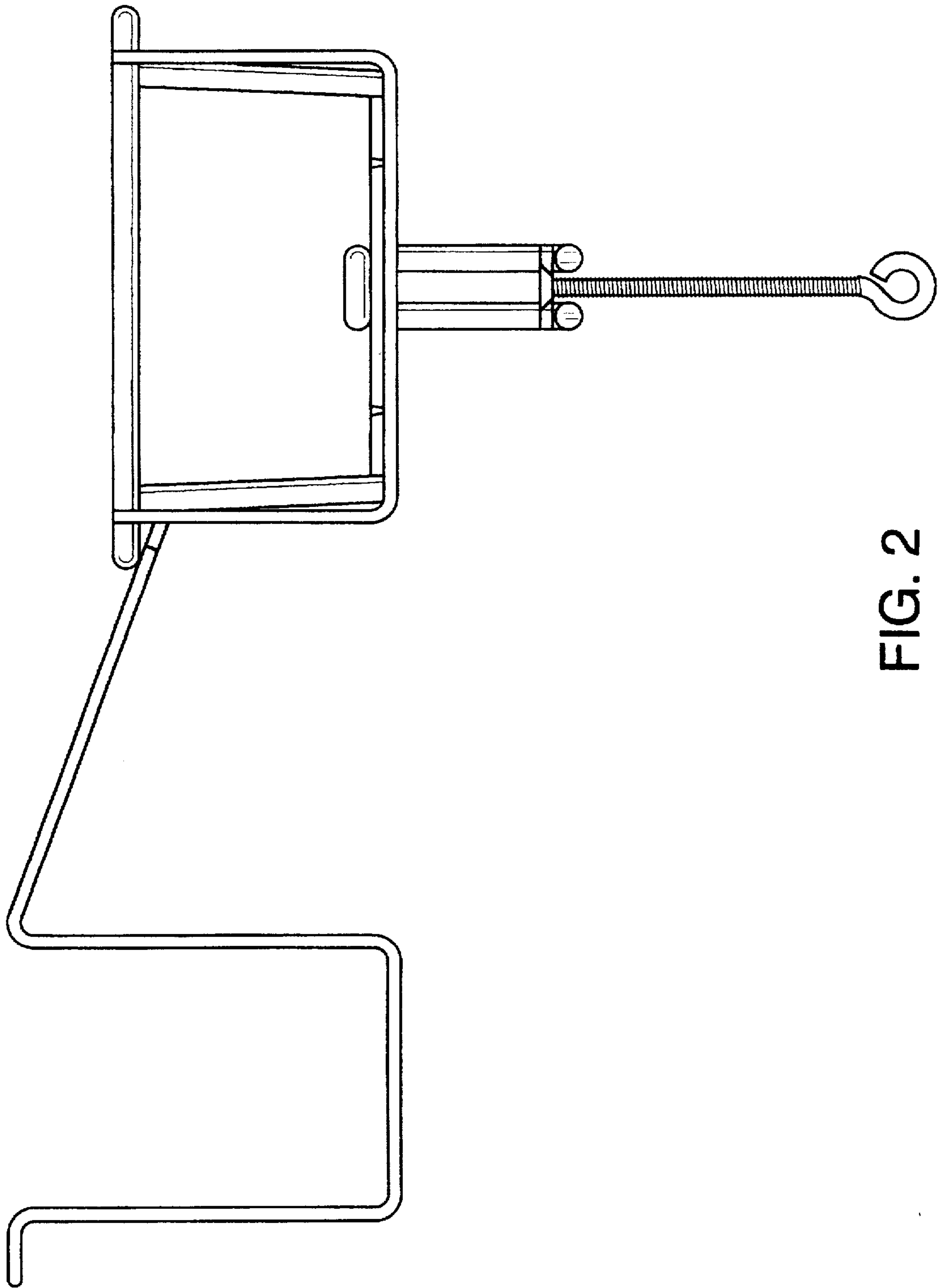


FIG. 2

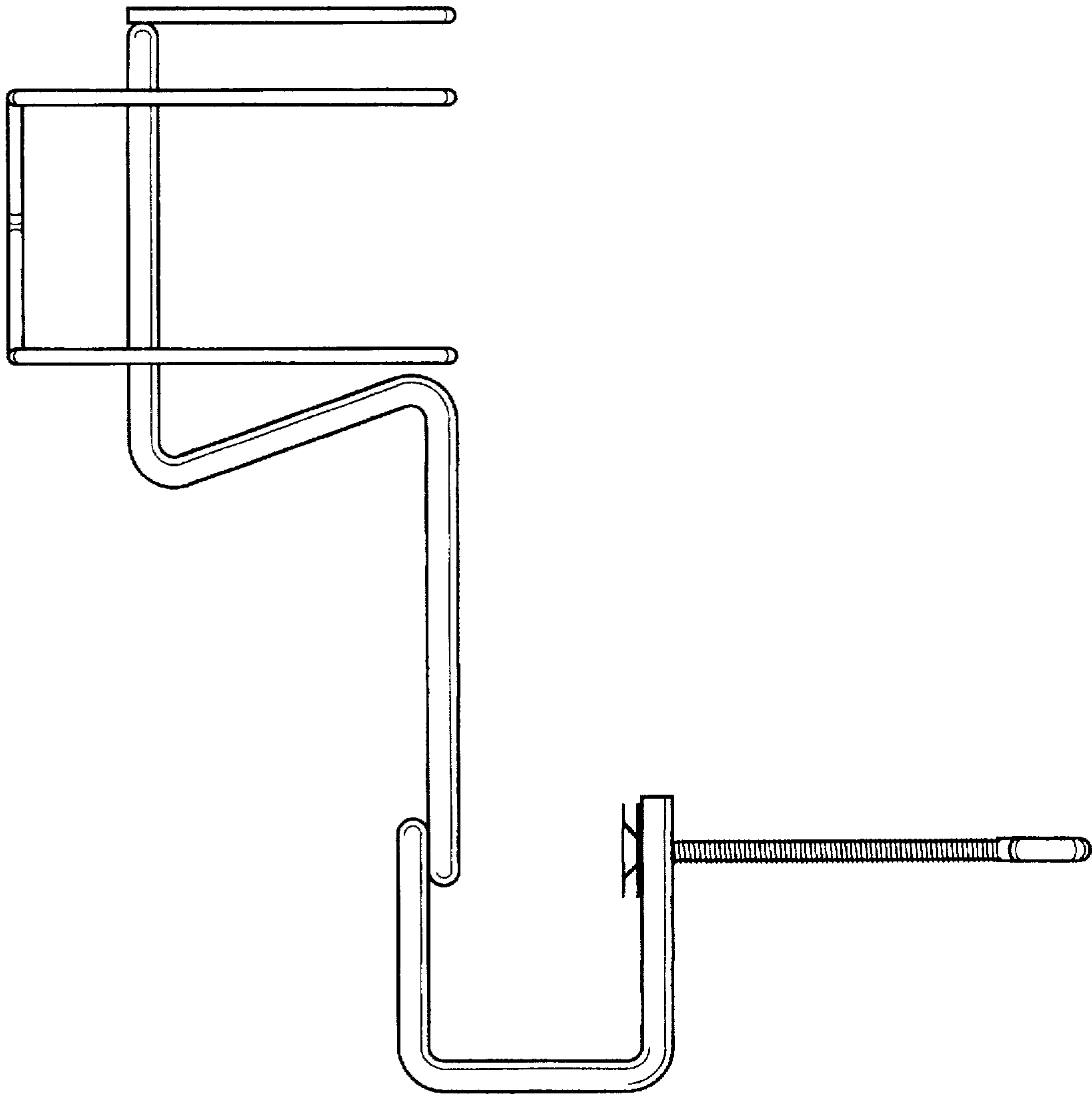


FIG. 3

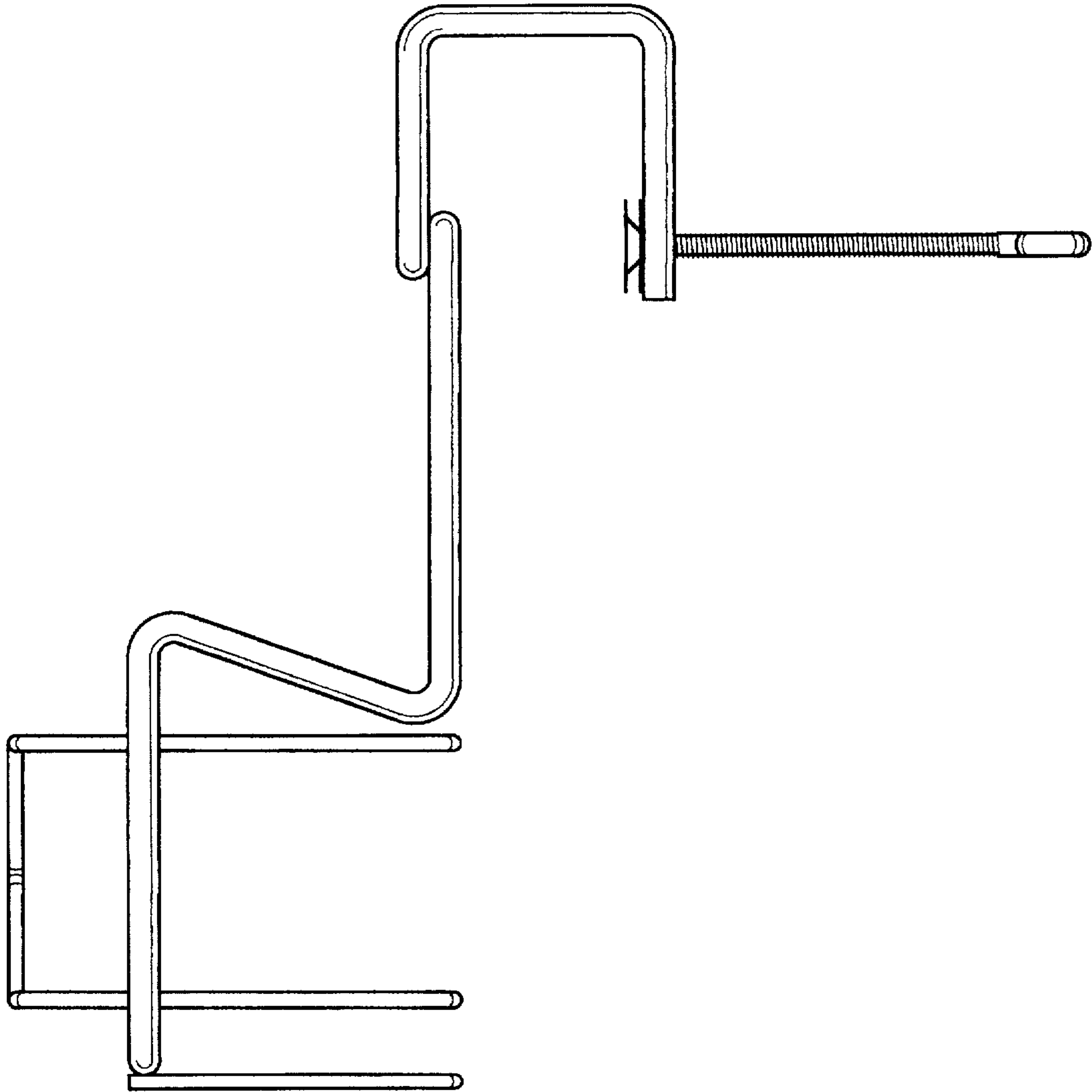


FIG. 4

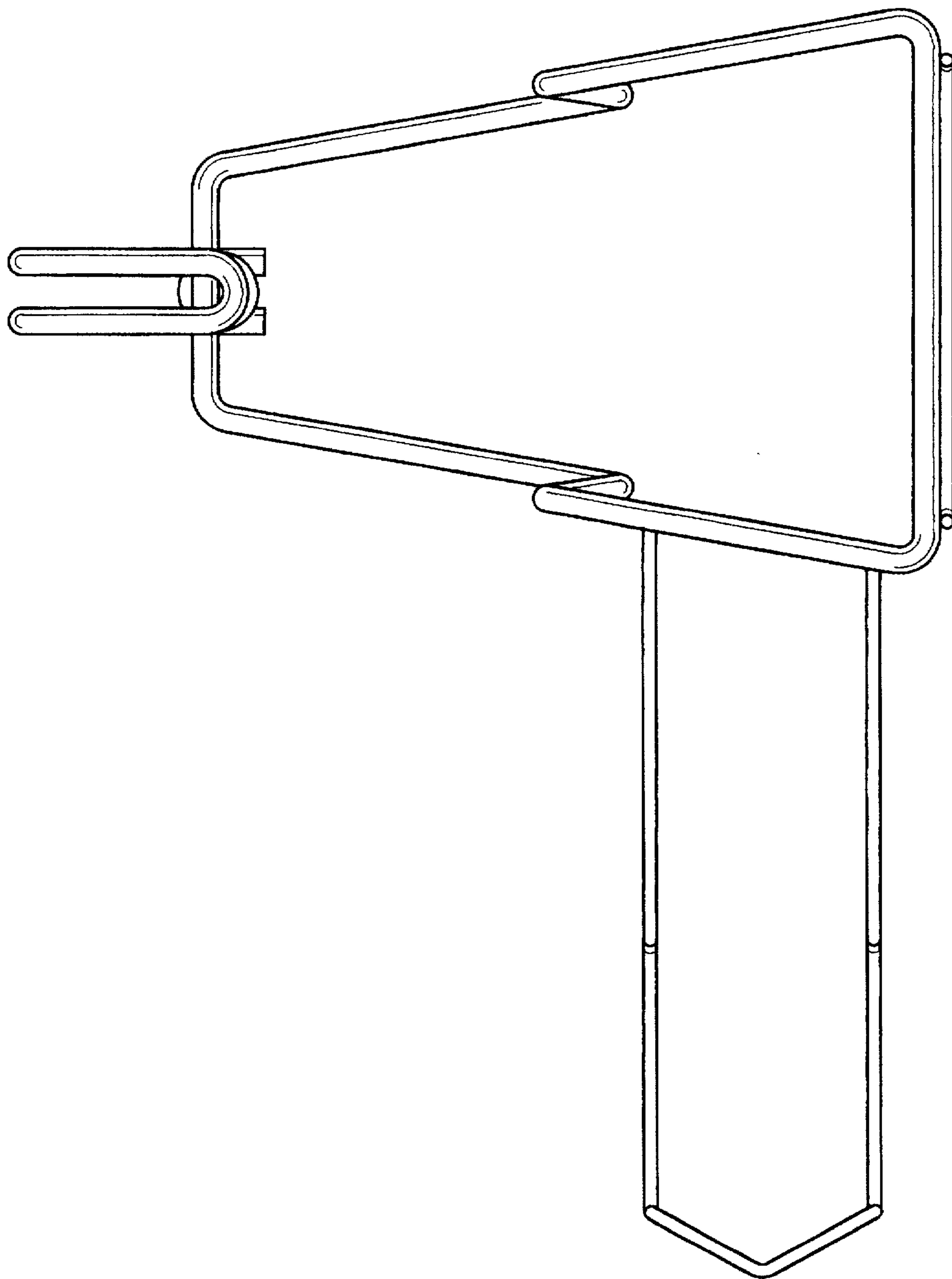


FIG. 5

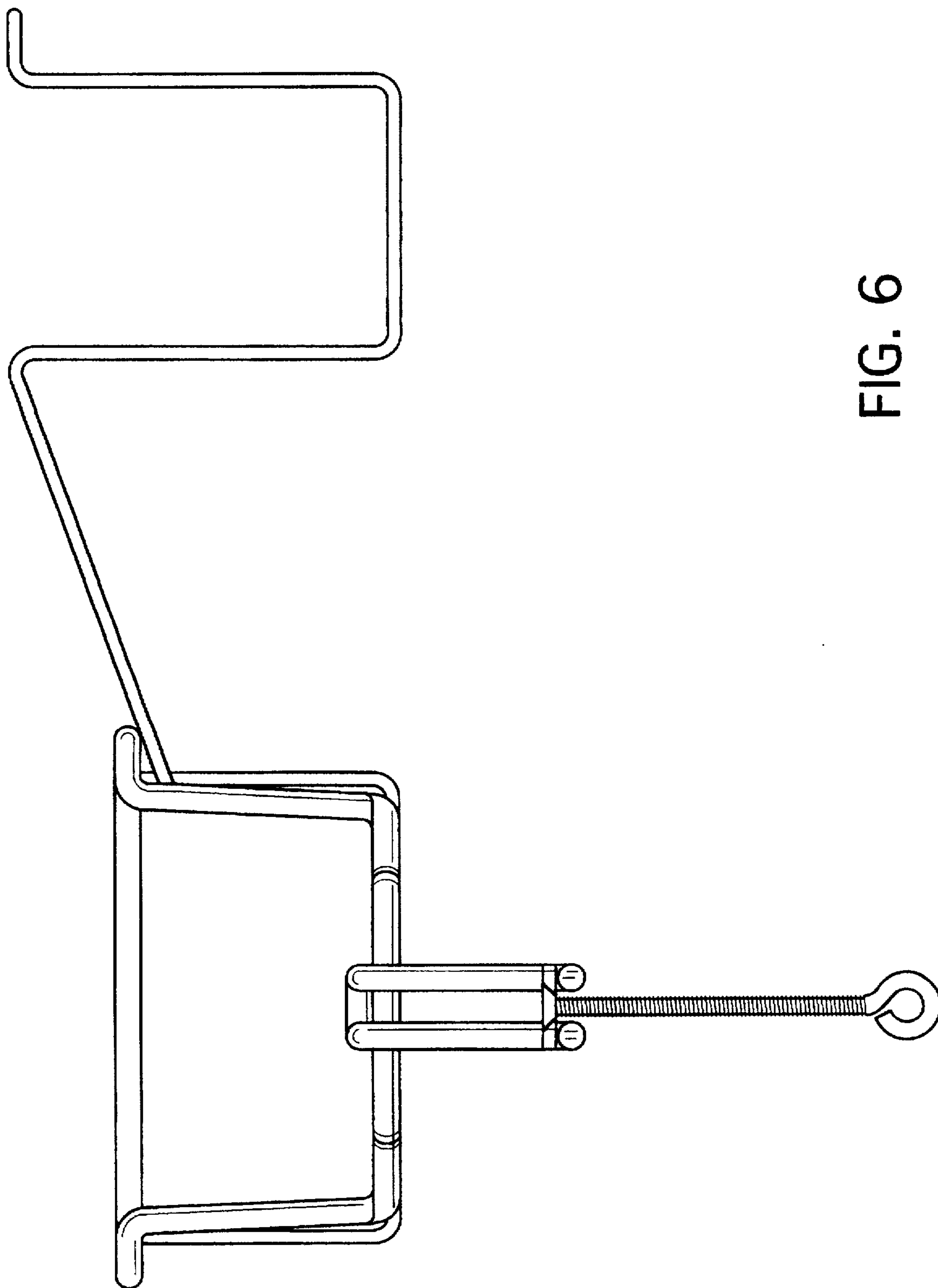


FIG. 6

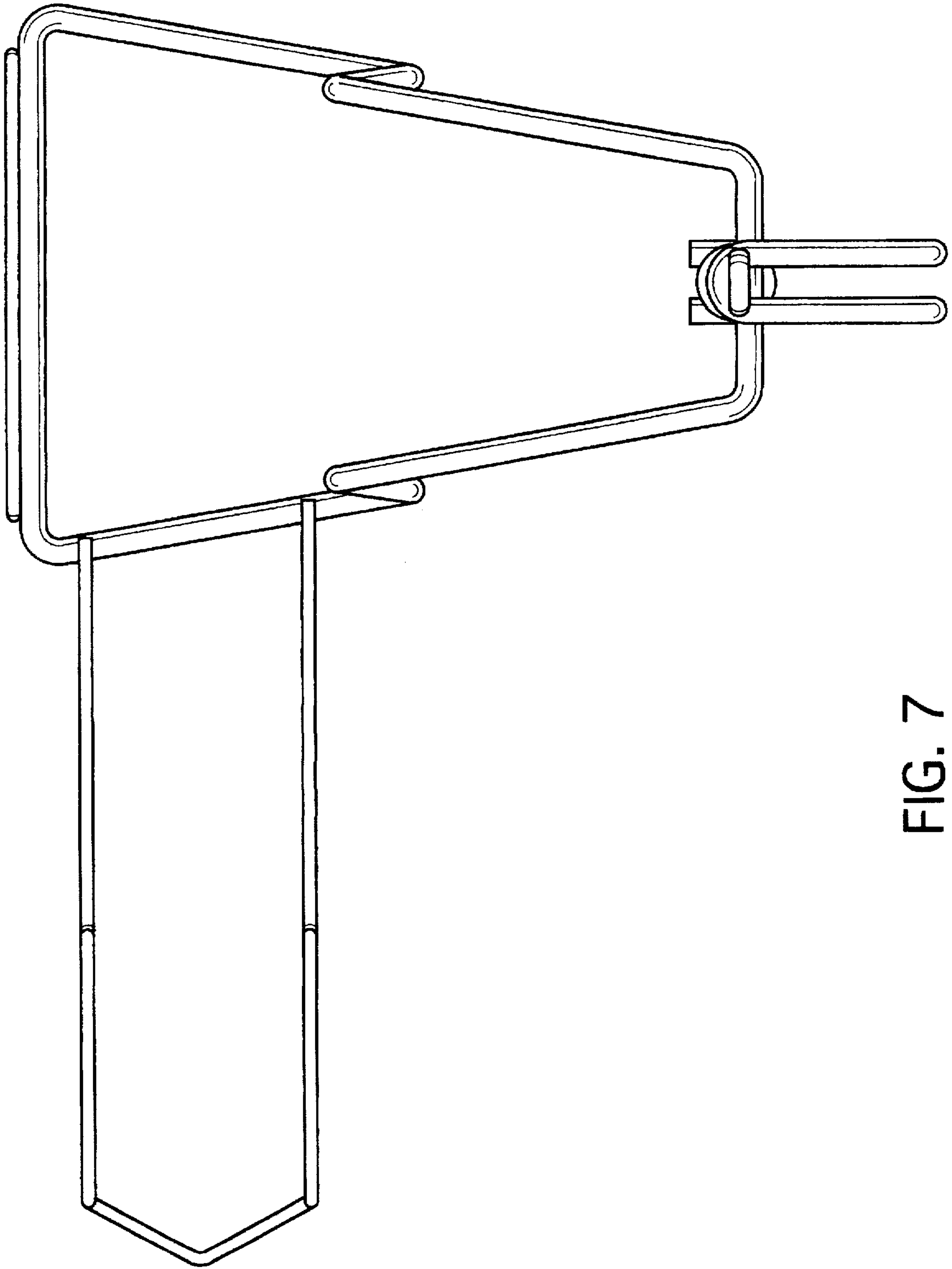


FIG. 7