



US00D393114S

United States Patent [19]
Carroll

[11] **Patent Number: Des. 393,114**
[45] **Date of Patent: **Mar. 31, 1998**

[54] **TUB FOR WASHING A BELLED BRASS MUSICAL INSTRUMENT**

4,967,439 11/1990 La Londe 15/104.1 R
5,060,336 10/1991 La Londe 15/104.1 R

[76] **Inventor: William Joseph Carroll, 359 20th Ave. Apt. #101, San Francisco, Calif. 94121**

Primary Examiner—A Hugo Word
Assistant Examiner—Cynthia E. Ramirez
Attorney, Agent, or Firm—Kevin A. Sambrat

[**] **Term: 14 Years**

[57] **CLAIM**

[21] **Appl. No.: 35,764**

The ornamental design for a tub for washing a belled brass musical instrument, as shown and described.

[22] **Filed: Mar. 6, 1995**

DESCRIPTION

[51] **LOC (6) Cl. 08-99**

[52] **U.S. Cl. D32/35**

[58] **Field of Search** D32/53, 35, 45, D32/53.1, 54, 55, 56; D15/150, 151; D7/589; 15/257.06; 220/DIG. 25; D24/224, 121; 222/489, 571, 185.1; 239/379

FIG. 1 is a top, front and left side perspective view of a tub for washing a belled brass musical instrument showing my new design with an affixed drain cap;

FIG. 2 is a top, front and left side perspective view thereof, with the drain cap removed therefrom;

FIG. 3 is a top plan view thereof;

FIG. 4 is a bottom plan view thereof;

FIG. 5 is a front elevational view thereof;

FIG. 6 is a rear elevational view thereof;

FIG. 7 is a left side elevational view thereof, with the right side constituting a mirror image of the left side; and,

FIG. 8 is a cross-sectional view thereof, taken along the lines 8—8 of FIG. 3.

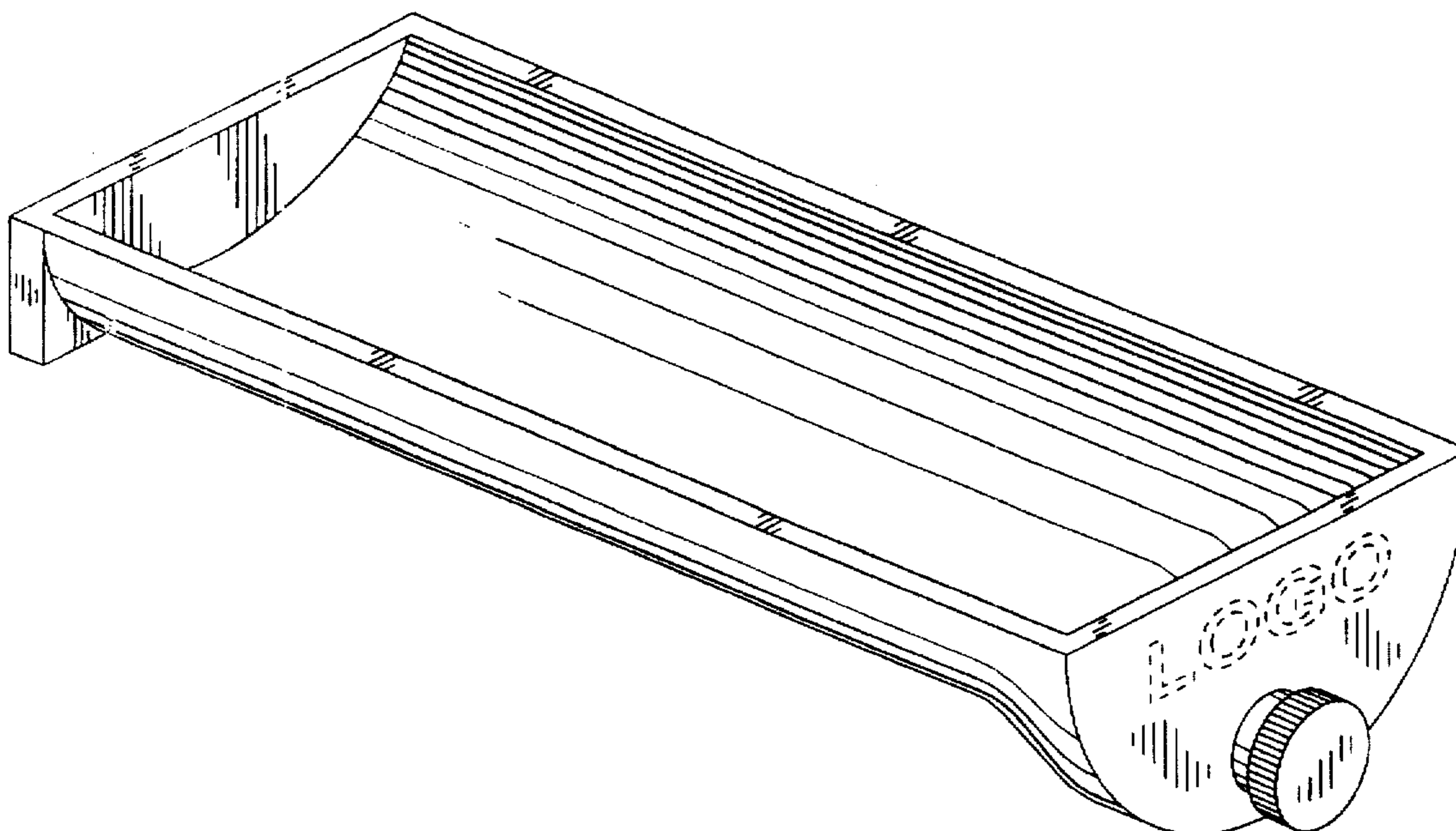
The broken line showing of the word "LOGO" in FIGS. 1, 2, and 5 is for illustrative purposes only and forms no part of the claimed design.

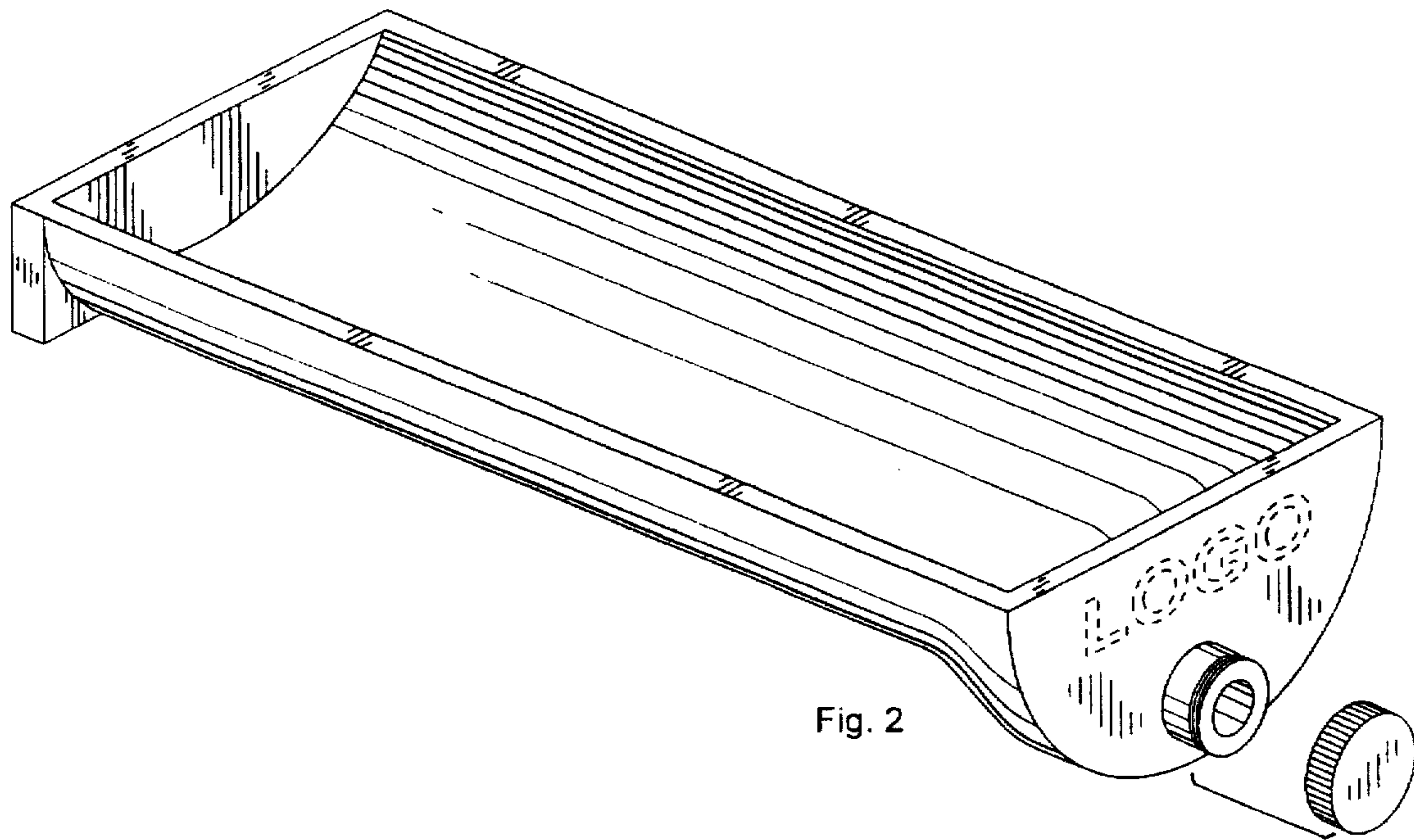
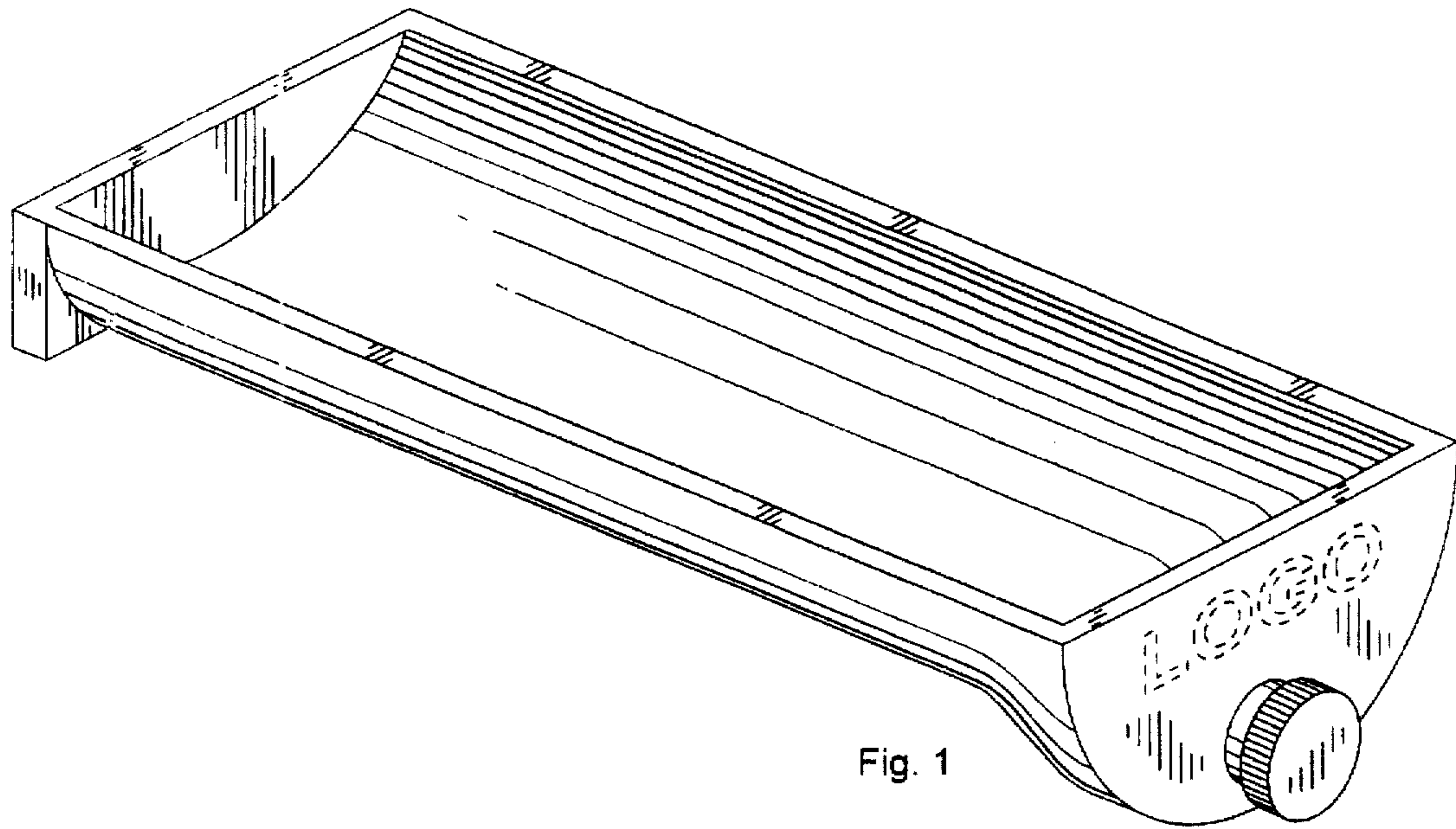
[56] **References Cited**

U.S. PATENT DOCUMENTS

D. 338,296	8/1993	Yarborough	D32/35
D. 340,250	10/1993	Lux, Jr.	D15/150
D. 342,356	12/1993	Gratopp	D32/35
D. 345,637	3/1994	Ohusco	D32/35
D. 351,532	10/1994	Wolfenden	D7/605
D. 358,660	5/1995	Swift	D9/523 X
3,488,790	1/1970	Satoh	15/118
3,732,593	5/1973	Habostad	15/257.06
4,167,348	9/1979	Hawk	15/257.06 X
4,501,220	2/1985	Biasini et al.	118/73

1 Claim, 3 Drawing Sheets





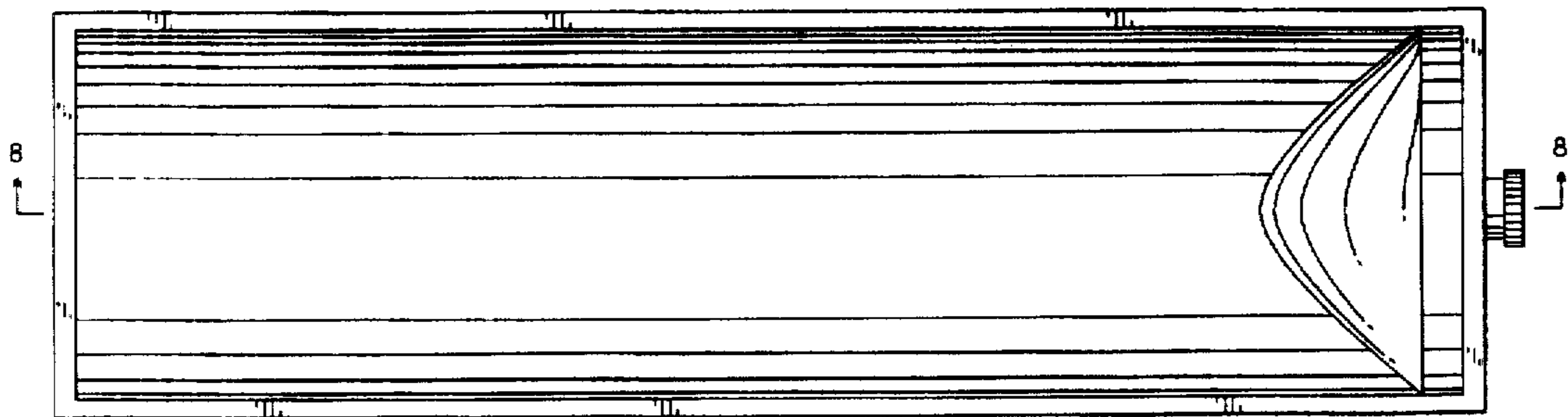


Fig. 3

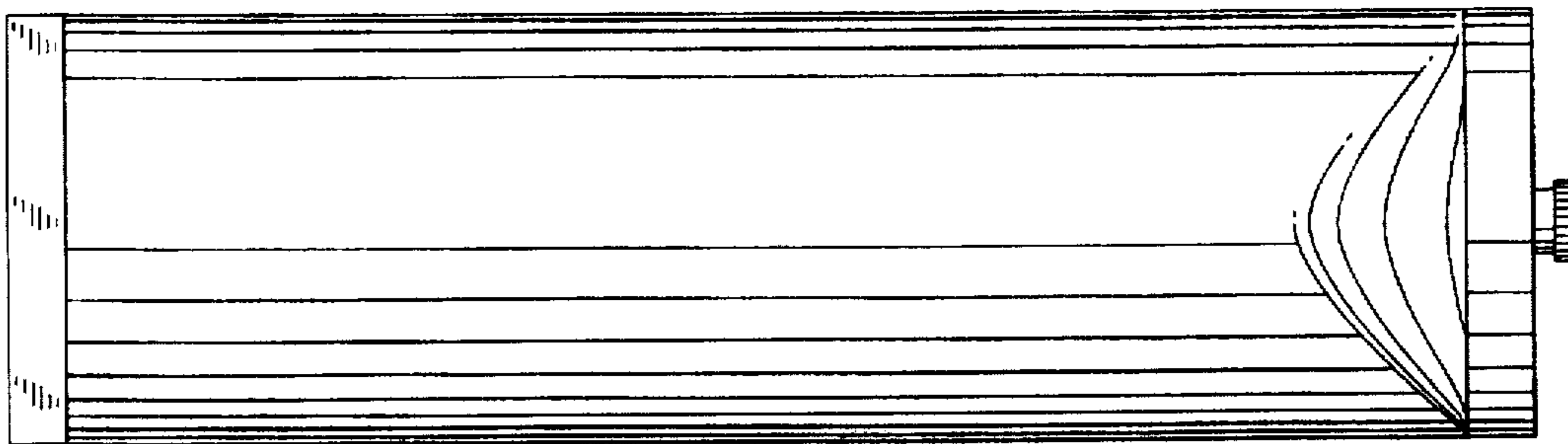


Fig. 4

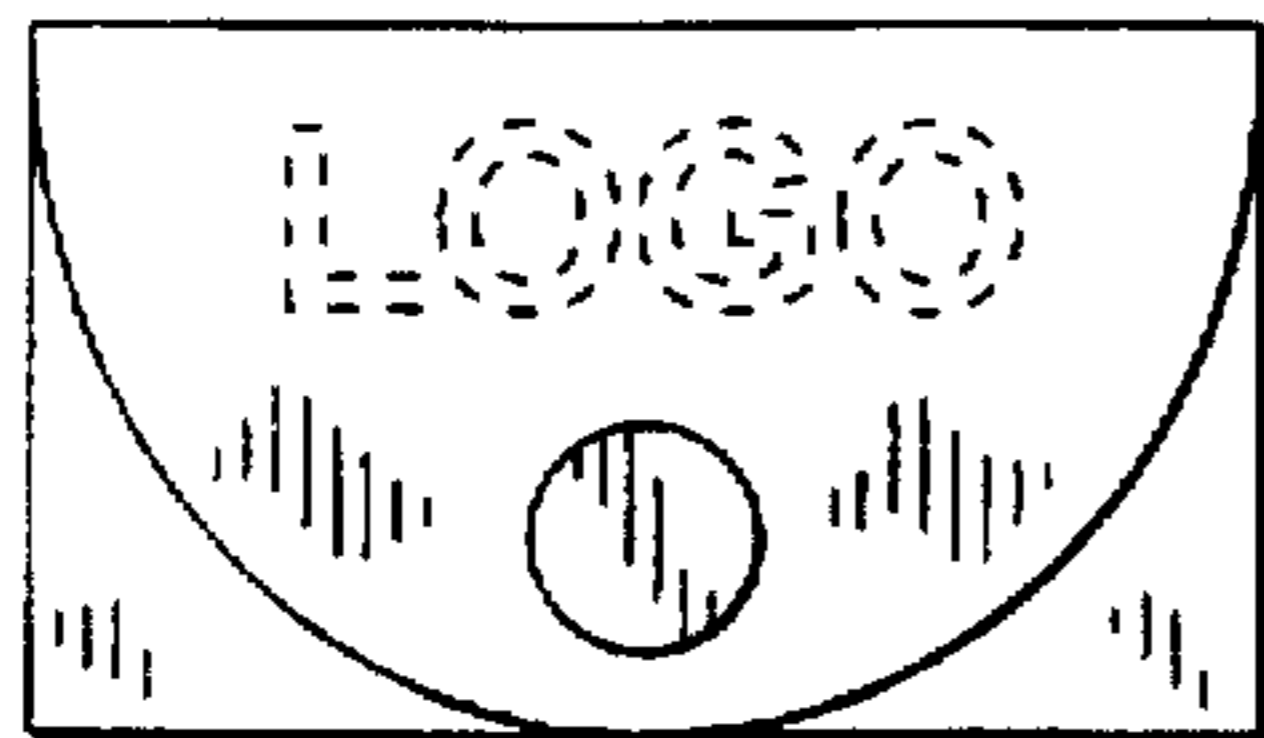


Fig. 5

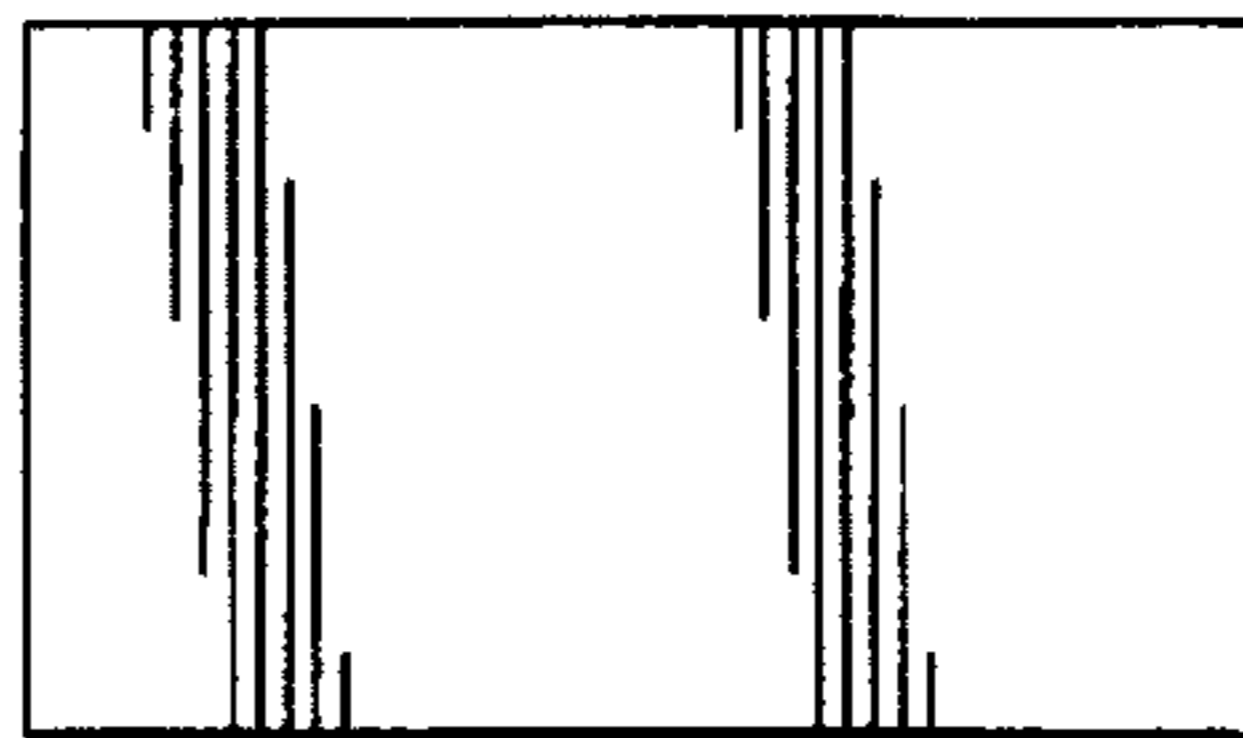


Fig. 6

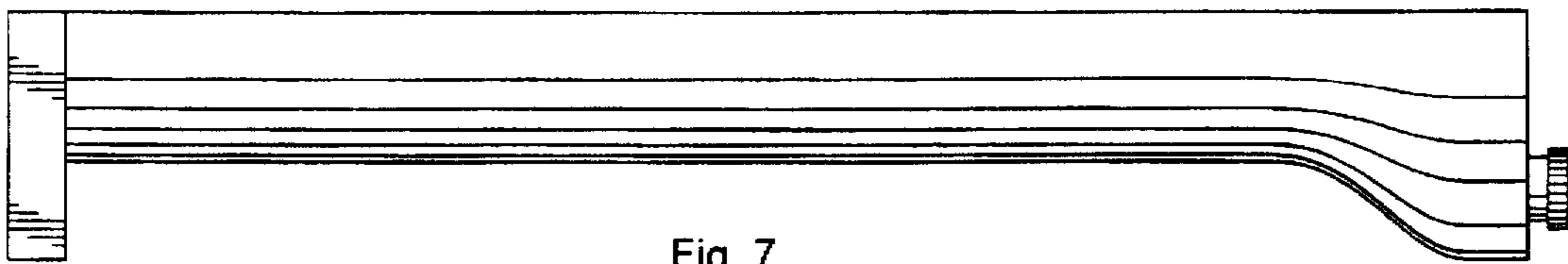


Fig. 7

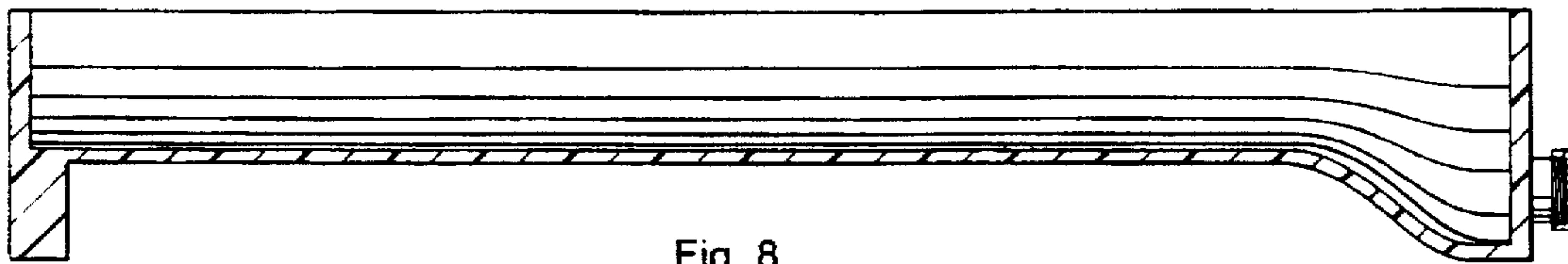


Fig. 8