



US00D393113S

United States Patent [19]

Essex et al.

[11] Patent Number: Des. 393,113

[45] Date of Patent: **Mar. 31, 1998

[54] **TURBINE POWERED EXTRACTOR NOZZLE**

[75] Inventors: **John D. Essex**, North Canton; **Darwin T. McKnight**, Louisville, both of Ohio

[73] Assignee: **The Hoover Company**, North Canton, Ohio

[**] Term: **14 Years**

[21] Appl. No.: **68,955**

[22] Filed: **Apr. 14, 1997**

[51] **LOC (6) Cl.** **15-05**

[52] **U.S. Cl.** **D32/32; D32/31**

[58] **Field of Search** **D32/31, 32, 33-34; 15/415.1-422.1, 410, 412, 414, 322**

[56] **References Cited**

U.S. PATENT DOCUMENTS

D. 42,973	9/1912	Morrow et al. .	
D. 50,946	6/1917	Kirby .	
D. 182,658	4/1958	Guild	D9/2
D. 200,092	1/1965	Polatchek	D32/18
D. 205,994	10/1966	Ota	D32/18
D. 207,632	5/1967	Anderson	D32/17
D. 221,992	9/1971	Bluestein et al.	D32/17
D. 233,209	10/1974	Terraillon	D32/17
D. 242,212	11/1976	Parise et al.	D15/63
D. 257,846	1/1981	Parise et al. .	
D. 259,076	5/1981	Doyel	D32/17
D. 279,626	7/1985	McCloskey	D32/19
D. 289,337	4/1987	Fitzwater	D32/32
D. 290,418	6/1987	Strohmeier	D32/32
D. 290,419	6/1987	Strohmeier	D32/32
D. 306,657	3/1990	Fushiya et al.	D32/17
D. 335,942	5/1993	Furcron	D32/32
D. 347,504	5/1994	Furcron et al.	D32/33

D. 353,236	12/1994	Burkhardt et al.	D32/32
D. 353,918	12/1994	Bruno et al.	D32/32
D. 360,502	7/1995	Hollinger	D32/18
D. 370,097	5/1996	Griffin et al.	D32/33
D. 380,950	7/1997	Gildersleeve et al.	D32/17
983,988	2/1911	Foster et al. .	
2,220,224	5/1940	Faber .	
2,744,272	11/1956	Theis et al. .	
2,967,314	1/1961	Kowalewski .	
4,234,995	11/1980	Parise	15/322
5,008,973	4/1991	Worwag	15/416
5,293,665	3/1994	Worwag	15/387
5,416,948	5/1995	Worwag	15/331

OTHER PUBLICATIONS

Hong Kong Enterprise, vol. 9, 1982, p. 322. "car polisher"—bottom left corner.

Furniture Buffer, Jun. 18, 1964, no page No. "Regina upholstery shampooer".

Primary Examiner—Ruth McInroy

Attorney, Agent, or Firm—A. Burgess Lowe; Bruce P. Watson

[57] **CLAIM**

The ornamental design of a turbine powered extractor nozzle, as shown and described.

DESCRIPTION

FIG. 1 is a top plan view of a turbine powered extractor nozzle showing our new design;

FIG. 2 is a front elevational view thereof;

FIG. 3 is a left side elevational view thereof, the right side being a mirror image thereof;

FIG. 4 is a bottom view thereof; and,

FIG. 5 is a rear elevational view thereof.

1 Claim, 3 Drawing Sheets

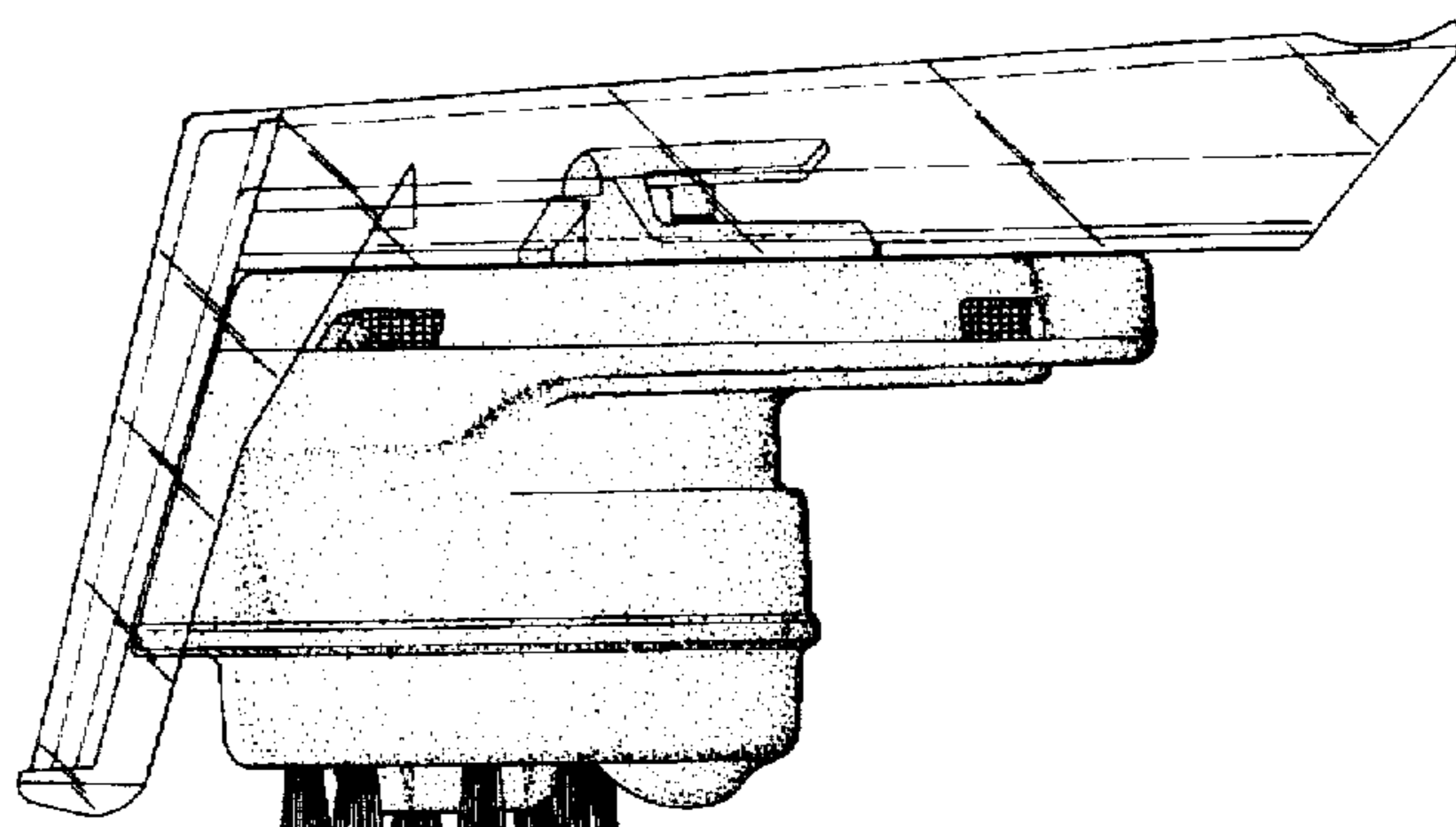
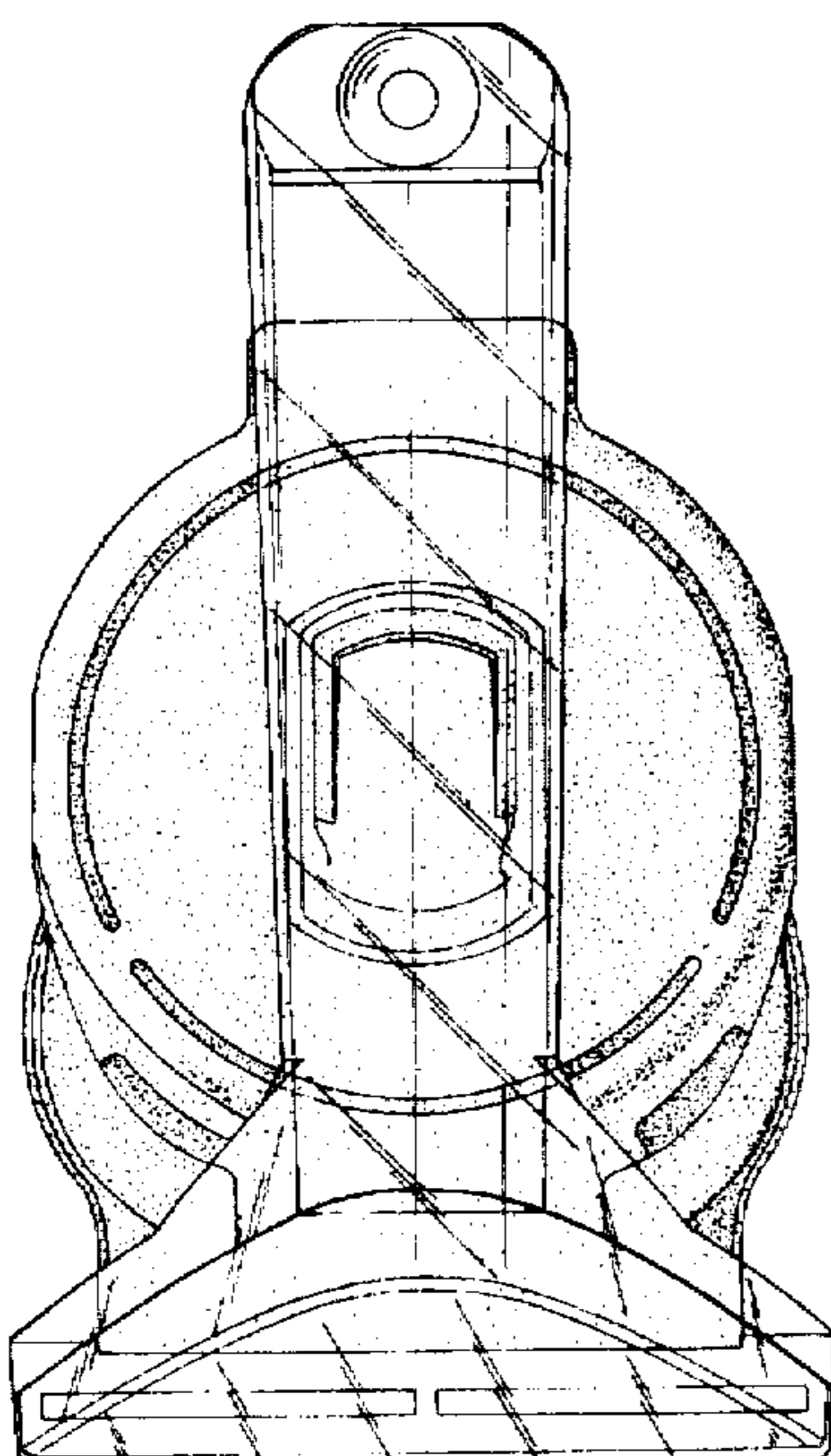


FIG. - 1

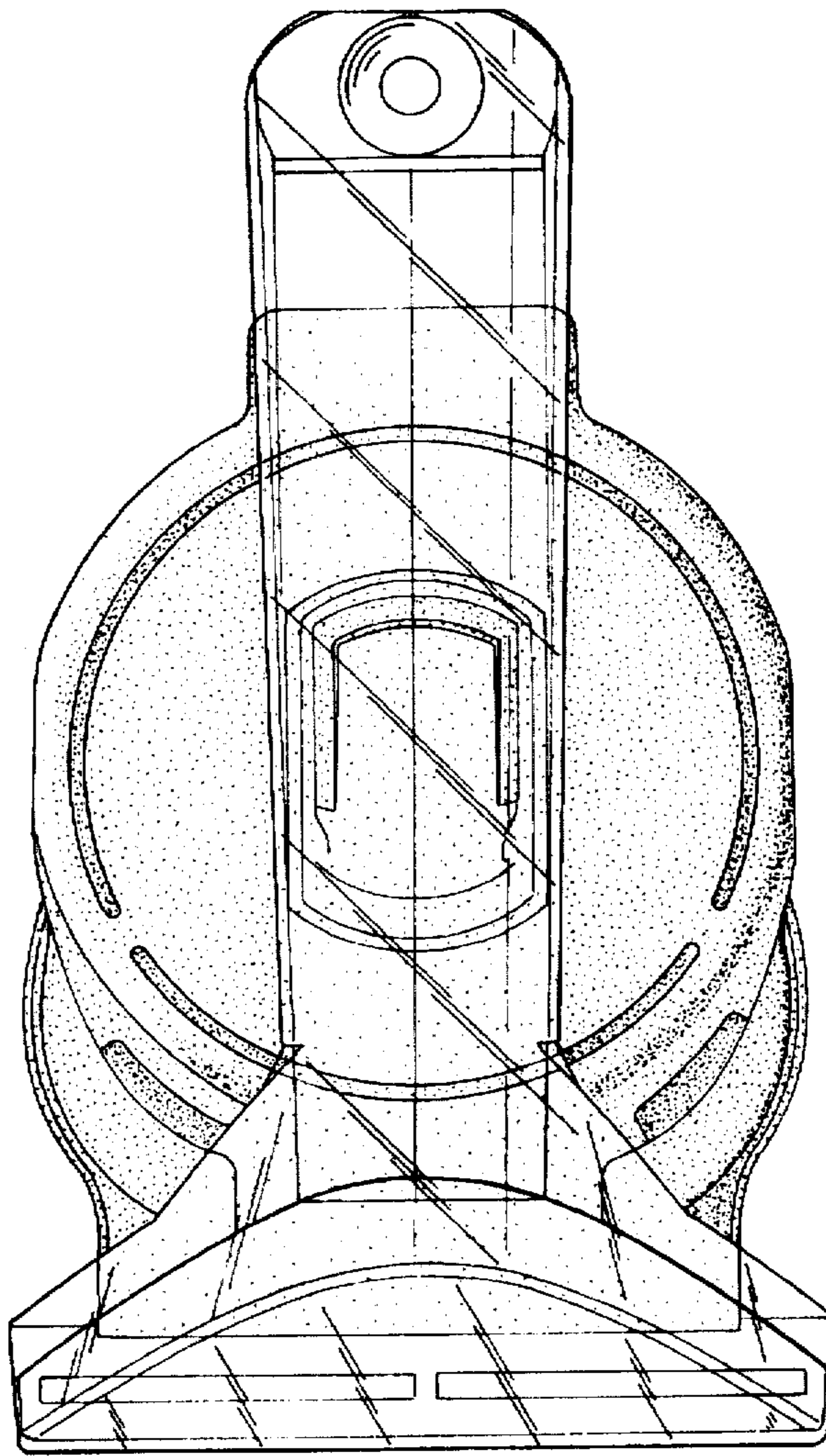
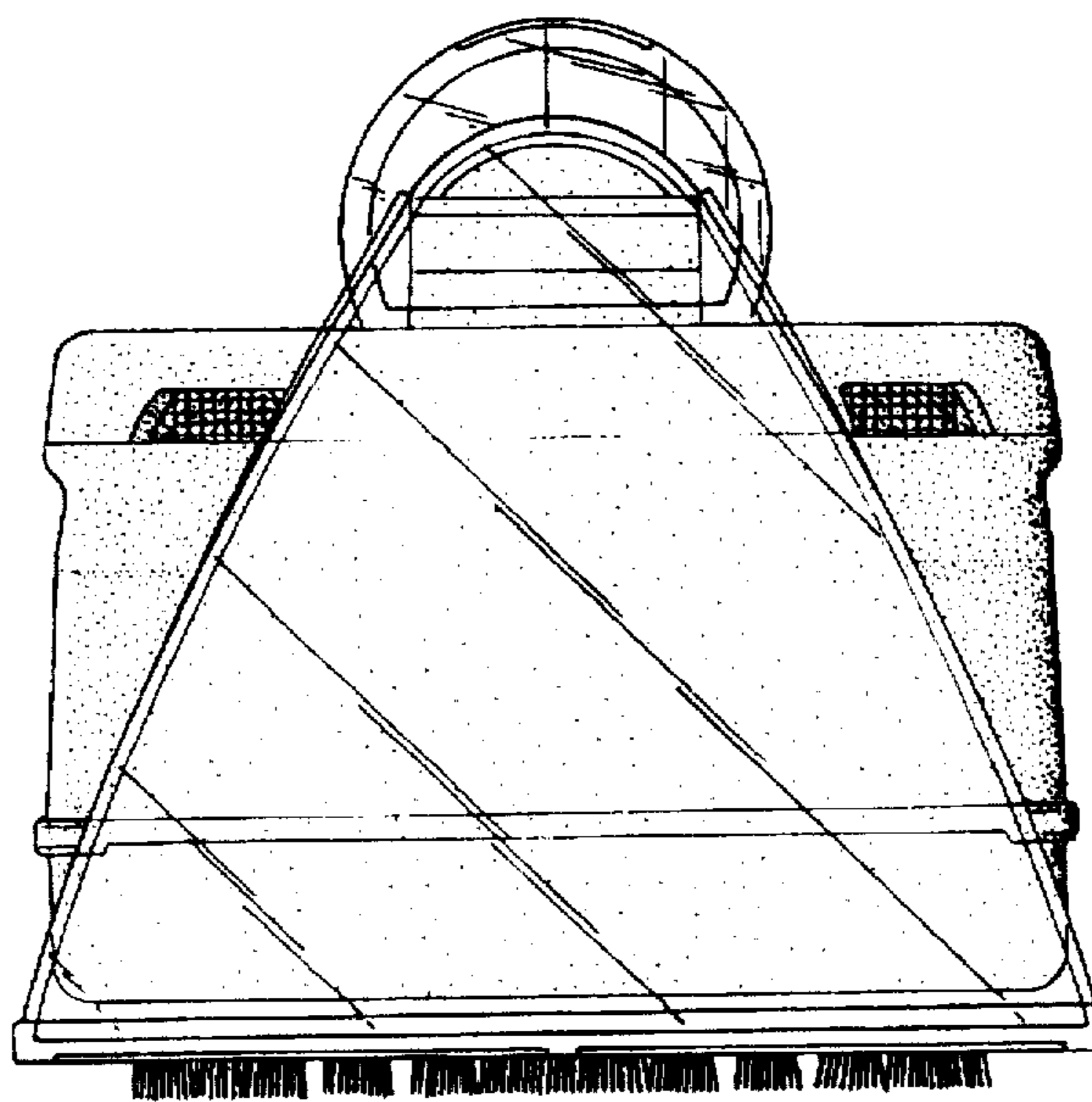


FIG. - 2



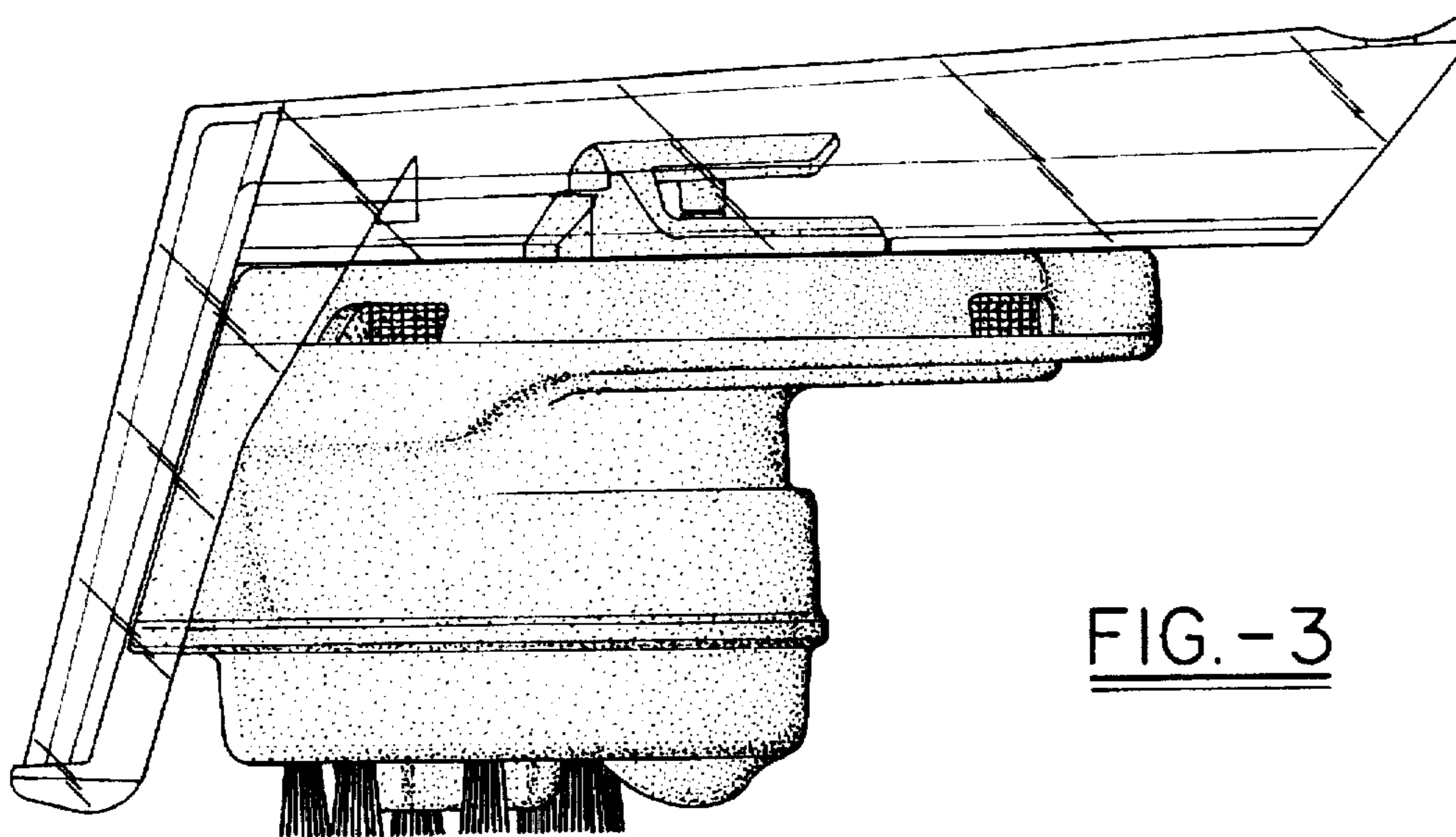


FIG. - 3

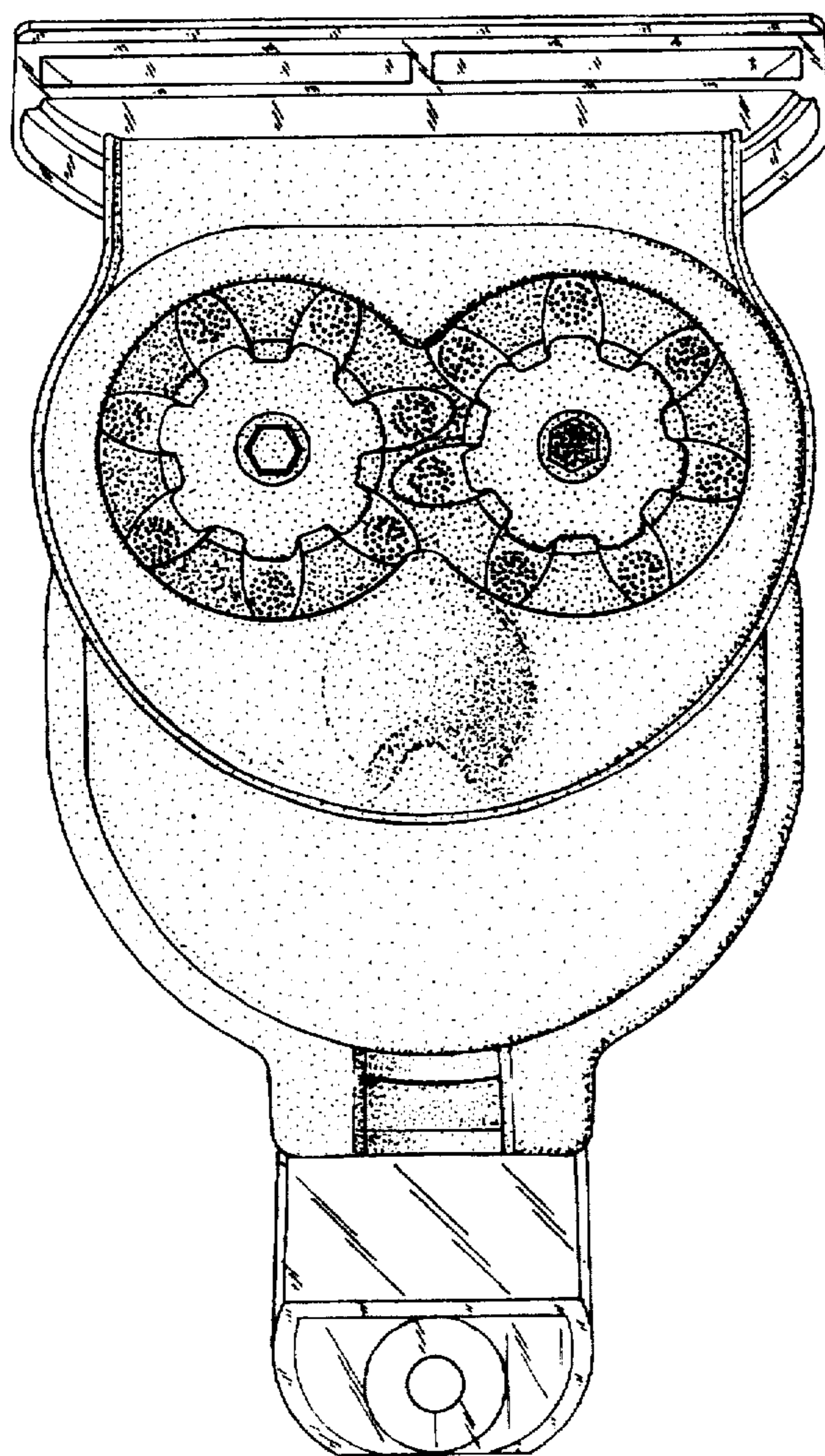


FIG. - 4

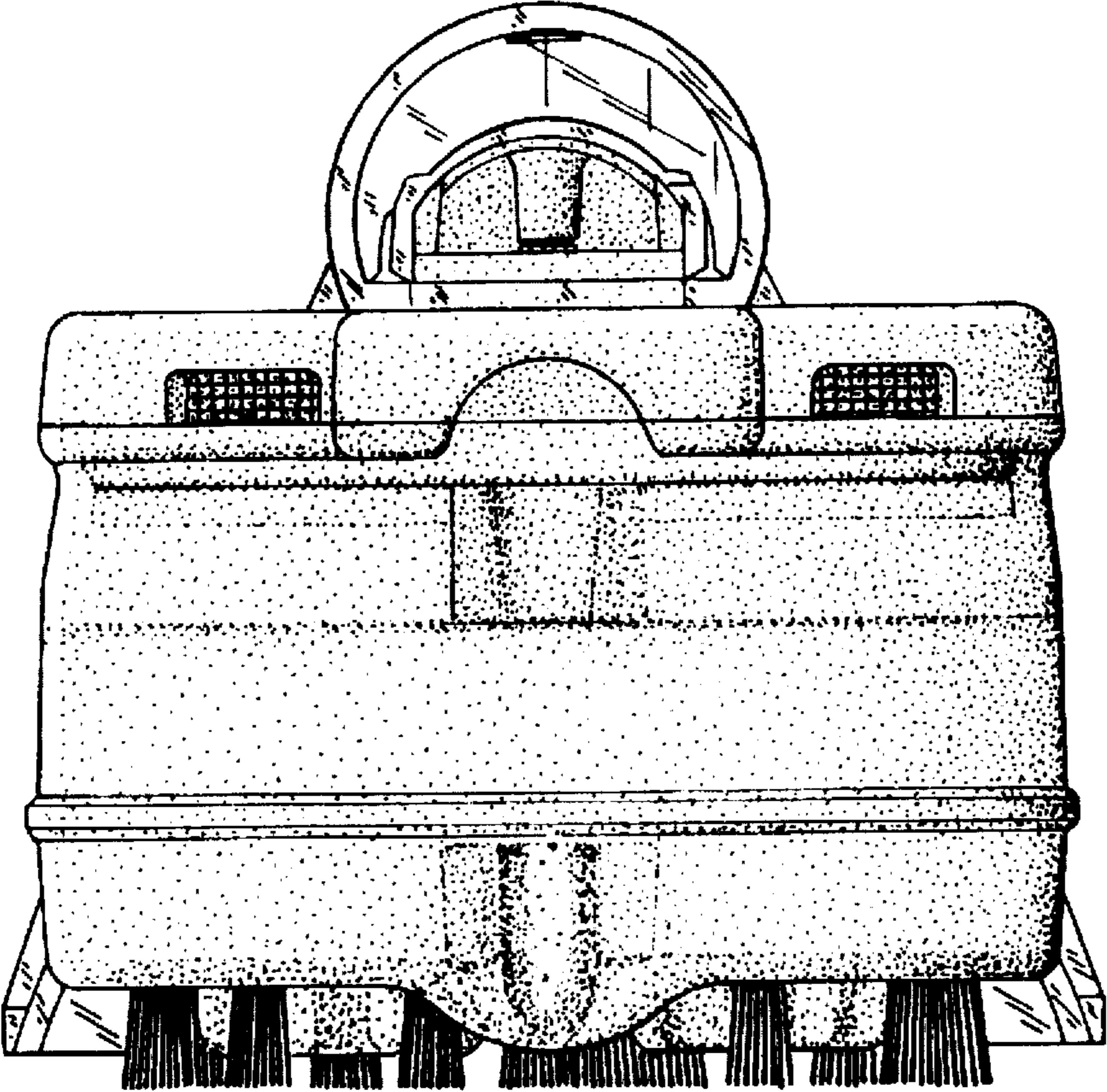


FIG.-5

UNITED STATES PATENT AND TRADEMARK OFFICE
CERTIFICATE OF CORRECTION

PATENT NO. : Des 393,113
DATED : March 31, 1998
INVENTOR(S) : John D. Essex et al.

Page 1 of 1

It is certified that error appears in the above-identified patent and that said Letters Patent is hereby corrected as shown below:

Title page,

Item [75], list the inventors as -- **John D. Essex**, North Canton; **Darwin T. McKnight**, Louisville; **Douglas C. Barker**, North Canton, all of Ohio --.

Signed and Sealed this

Eighteenth Day of June, 2002

Attest:

A handwritten signature in black ink, appearing to read "James E. Rogan", with a horizontal line underneath it.

Attesting Officer

JAMES E. ROGAN
Director of the United States Patent and Trademark Office