



US00D393108S

United States Patent [19]
Atchley

[11] **Patent Number: Des. 393,108**
[45] **Date of Patent: **Mar. 31, 1998**

[54] **COMBINED FOOD HOPPER DISPENSER AND TROUGH FOR SMALL ANIMALS**

[75] **Inventor: Frank Atchley, Napa, Calif.**

[73] **Assignee: Lixit Corporation, Napa, Calif.**

[**] **Term: 14 Years**

[21] **Appl. No.: 62,384**

[22] **Filed: Nov. 4, 1996**

[51] **LOC (6) Cl. 30-07**

[52] **U.S. Cl. D30/121; D30/132; D30/119**

[58] **Field of Search D30/121, 129-133; 119/51.5, 52.1, 52.2, 53, 57.8, 57.9, 59, 60-61, 71, 73-75, 77, 464, 475, 477**

[56] **References Cited**

U.S. PATENT DOCUMENTS

D. 249,566	9/1978	Wilhelm	119/464
D. 294,750	3/1988	Atchley	D30/132
D. 351,689	10/1994	VanSkiver	D30/132
D. 374,516	10/1996	Lillelund et al.	D30/121
3,185,133	5/1965	Bird	119/477
3,720,184	3/1973	Pearce	D30/121
4,706,851	11/1987	Hegedus et al.	119/57.8
4,721,063	1/1988	Atchely	D30/132
4,762,086	8/1988	Atchely	119/477
4,840,143	6/1989	Simon	D30/121
4,895,109	1/1990	DeGroot et al.	119/51.5
5,140,945	8/1992	Barnhart et al.	119/52.2
5,404,838	4/1995	Khan	119/57.8

FOREIGN PATENT DOCUMENTS

349483	5/1905	France	119/464
3840	12/1899	Germany	119/464
449778	7/1936	United Kingdom	119/475

OTHER PUBLICATIONS

Starcrest of California advertisement for Automatic Pet Feeder/Waterer; 7-6446-4 & 7-14120-3, May 1986.

Primary Examiner—Cathy Anne McCormac
Attorney, Agent, or Firm—Harris Zimmerman

[57] **CLAIM**

The ornamental design for a combined food hopper, dispenser and trough for small animals, as shown and described.

DESCRIPTION

FIG. 1 is a perspective view of a combined food hopper, dispenser and trough for small animals of the present invention;

FIG. 2 is a front elevational view;

FIG. 3 is a right hand side view which is a mirror image of a left hand side view;

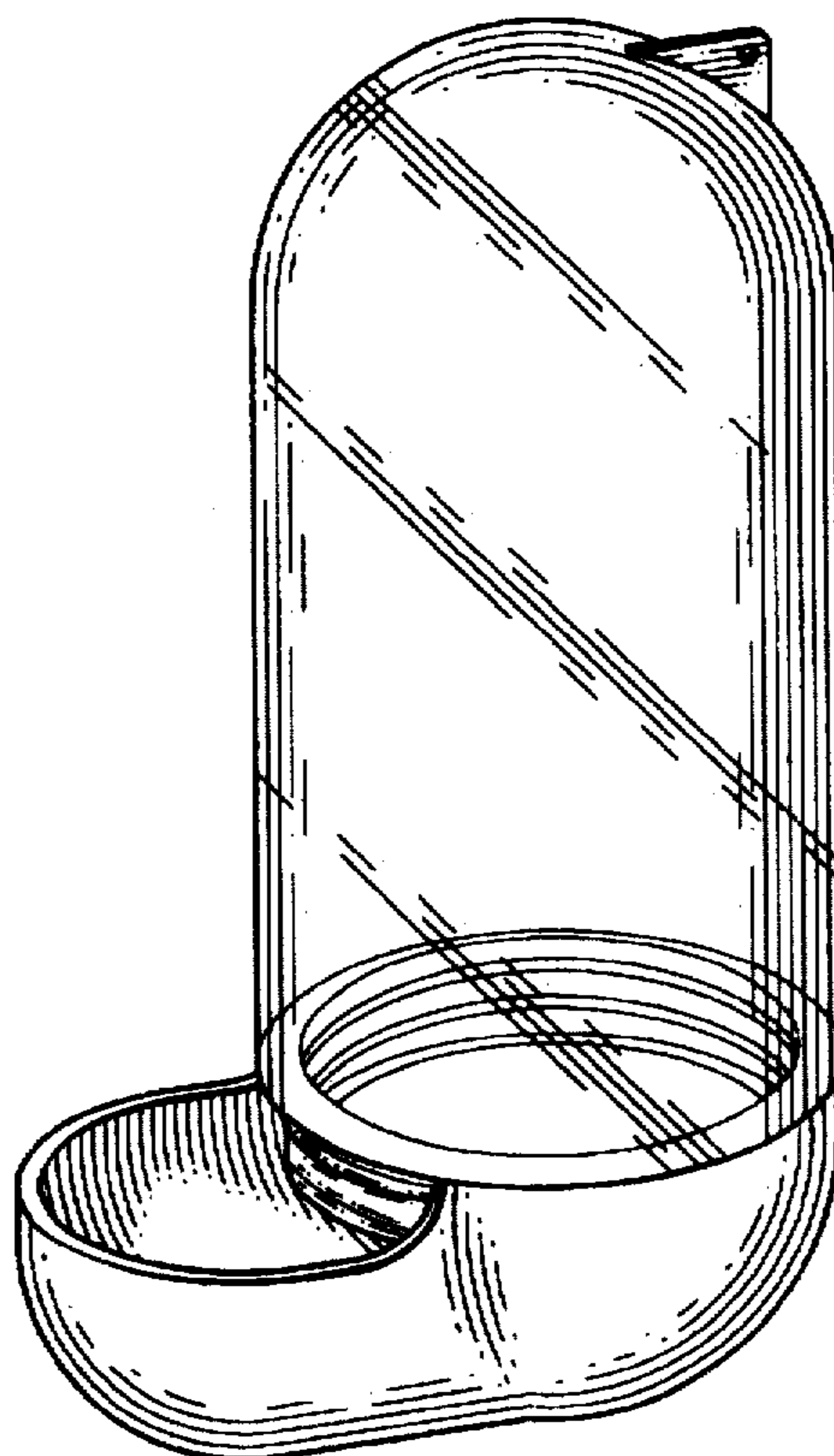
FIG. 4 is a bottom view;

FIG. 5 is a top view;

FIG. 6 is a rear elevational view; and,

FIG. 7 is an exploded perspective view with the parts disassembled.

1 Claim, 2 Drawing Sheets



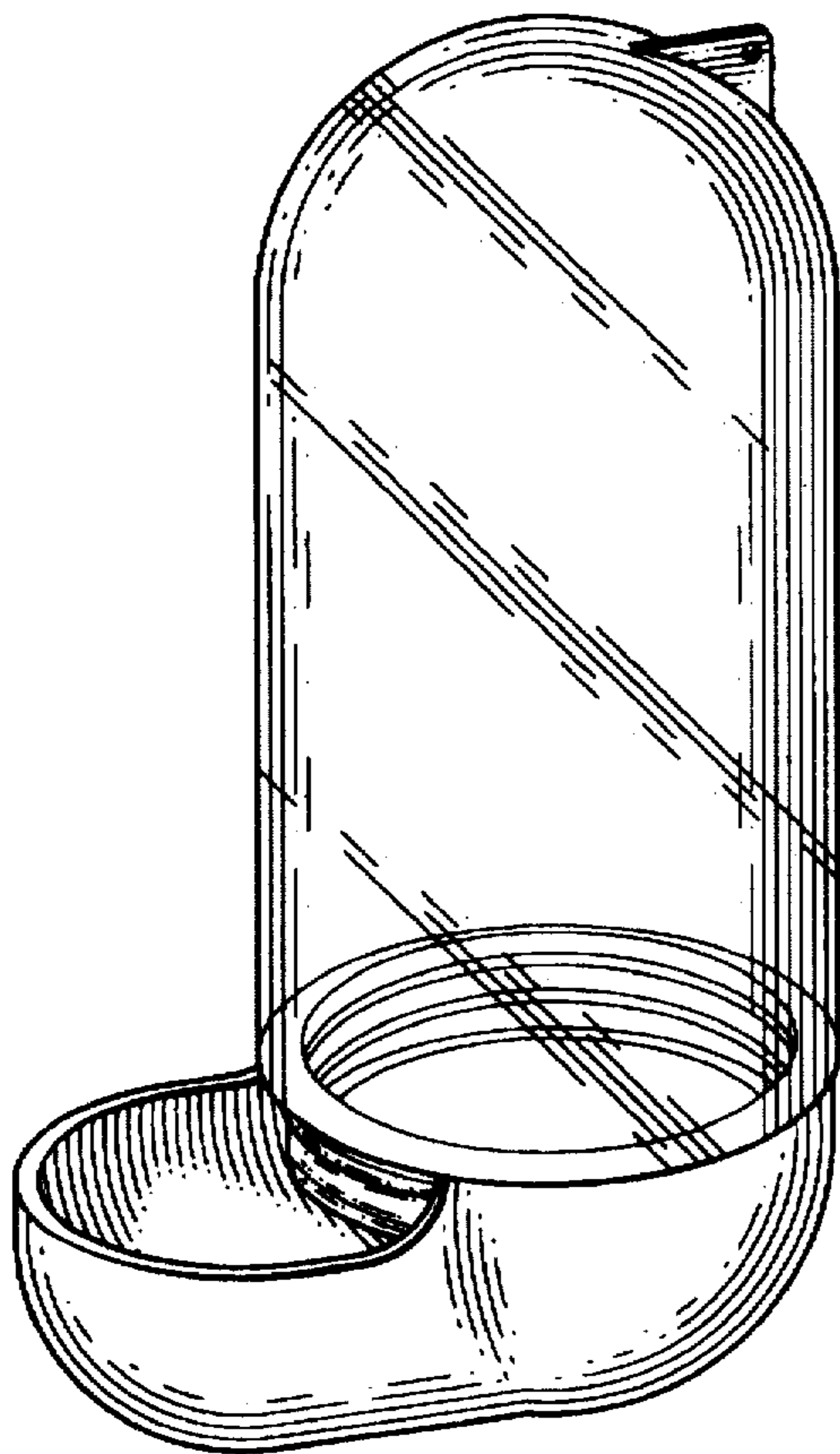


Fig. 1

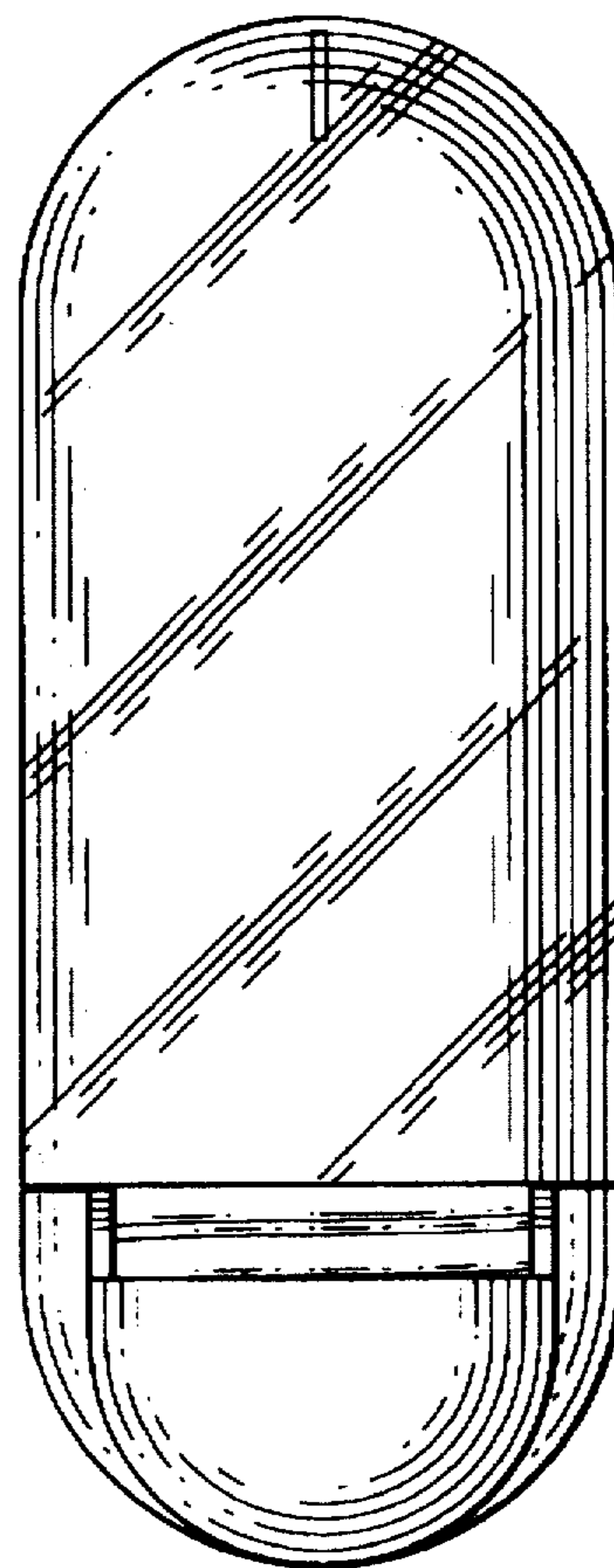


Fig. 2

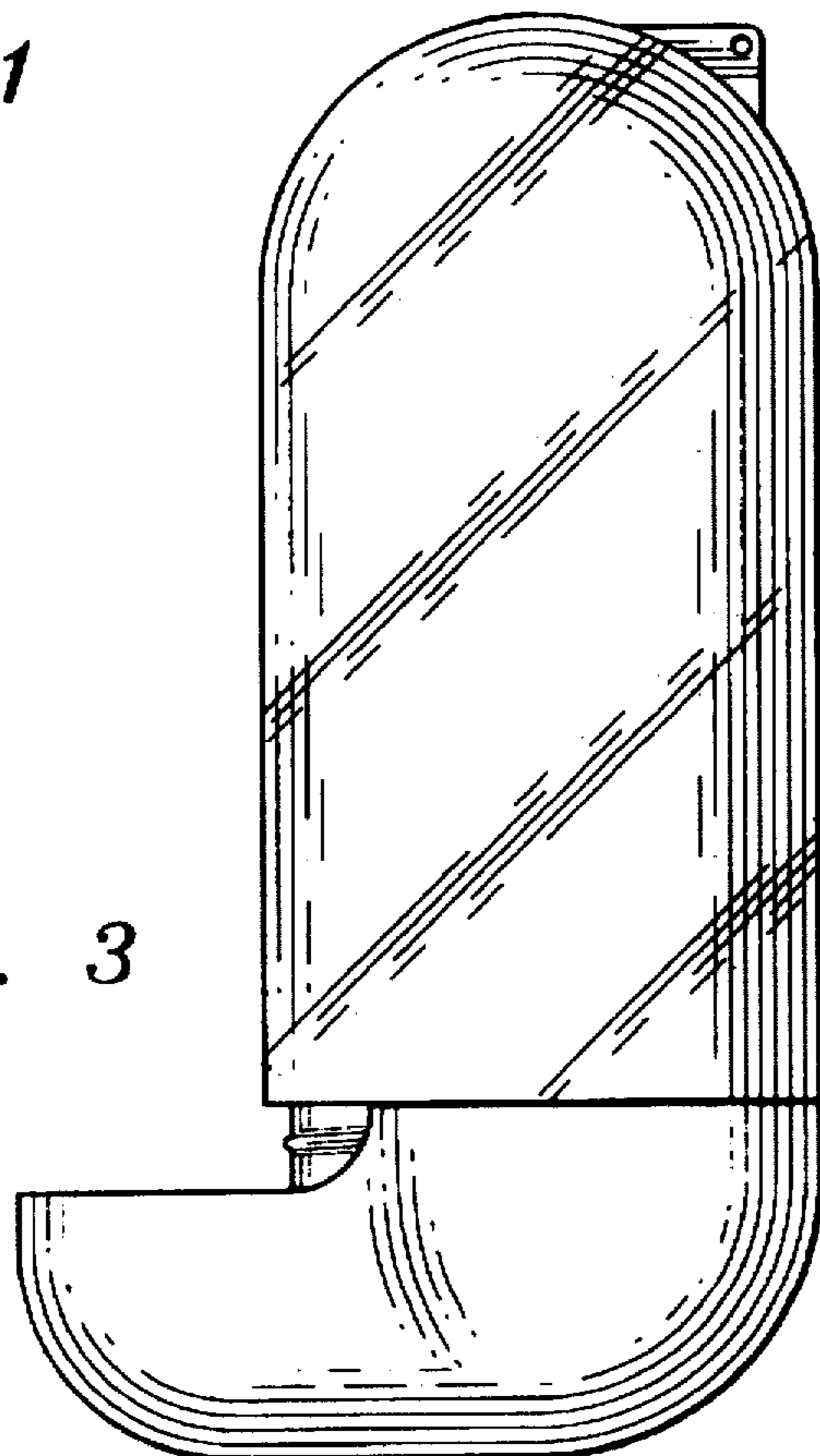


Fig. 3

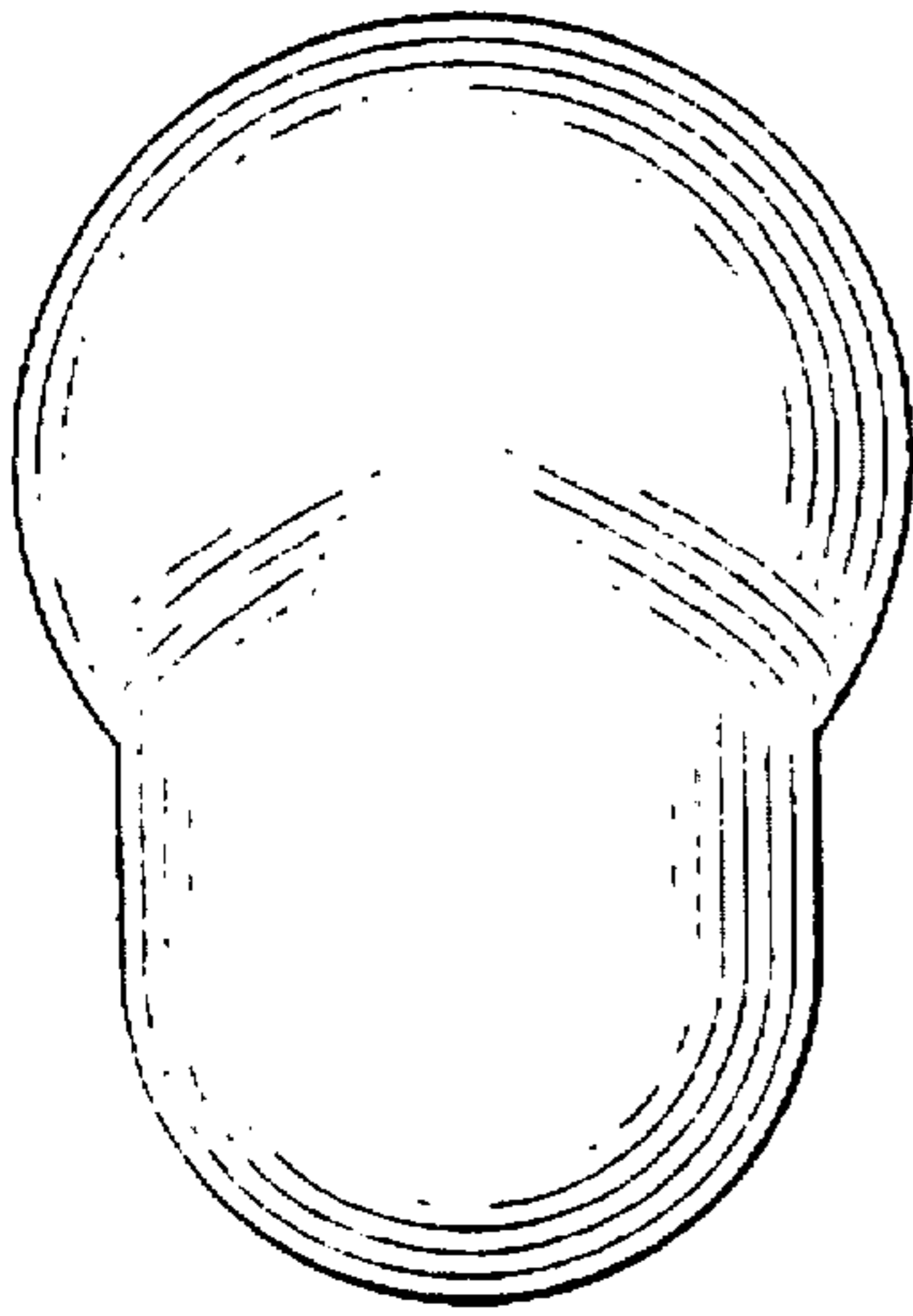


Fig. 4

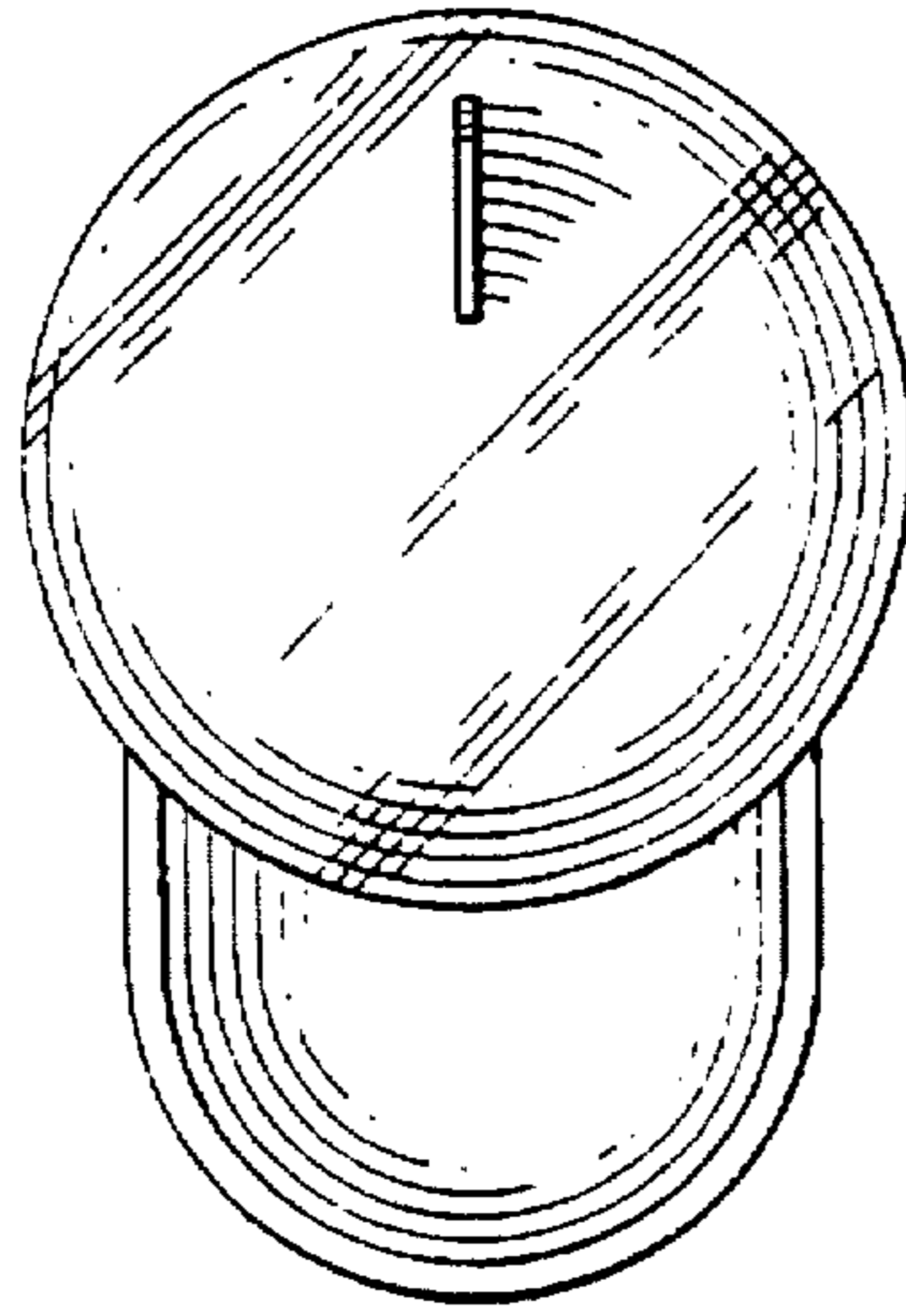


Fig. 5

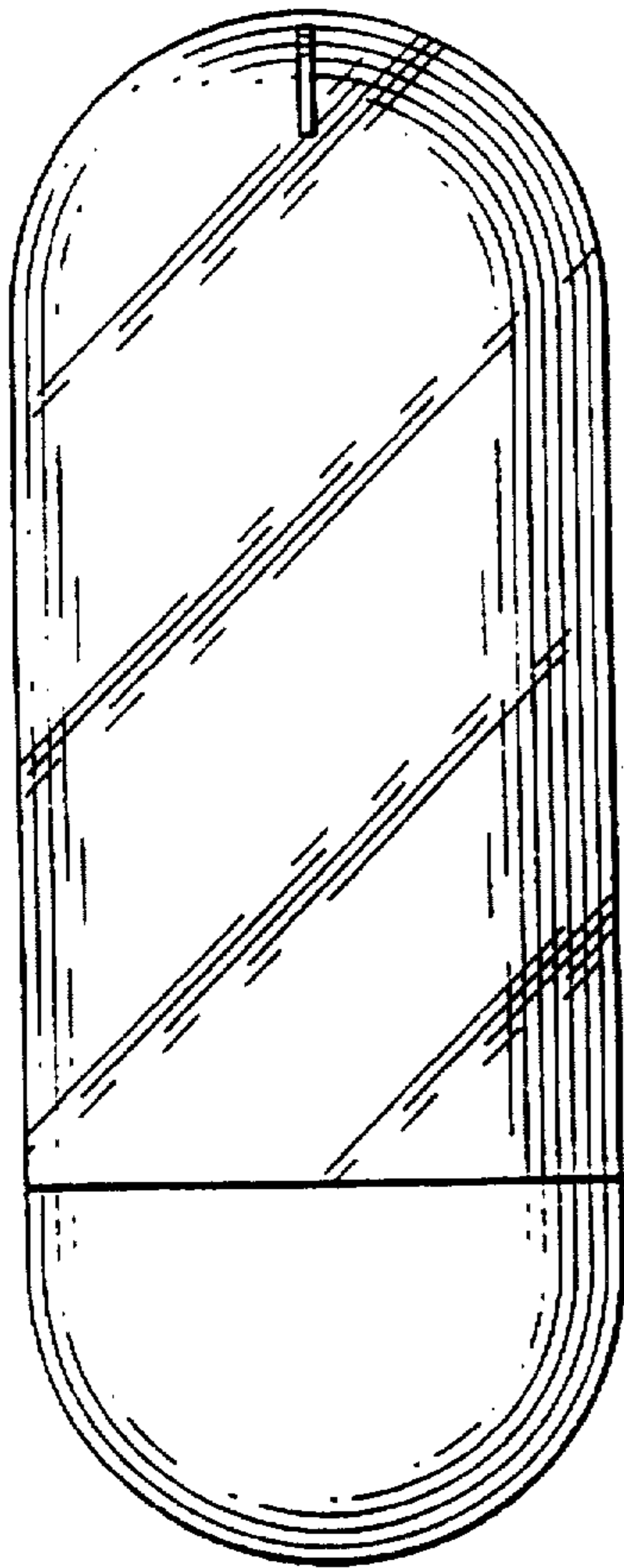


Fig. 6

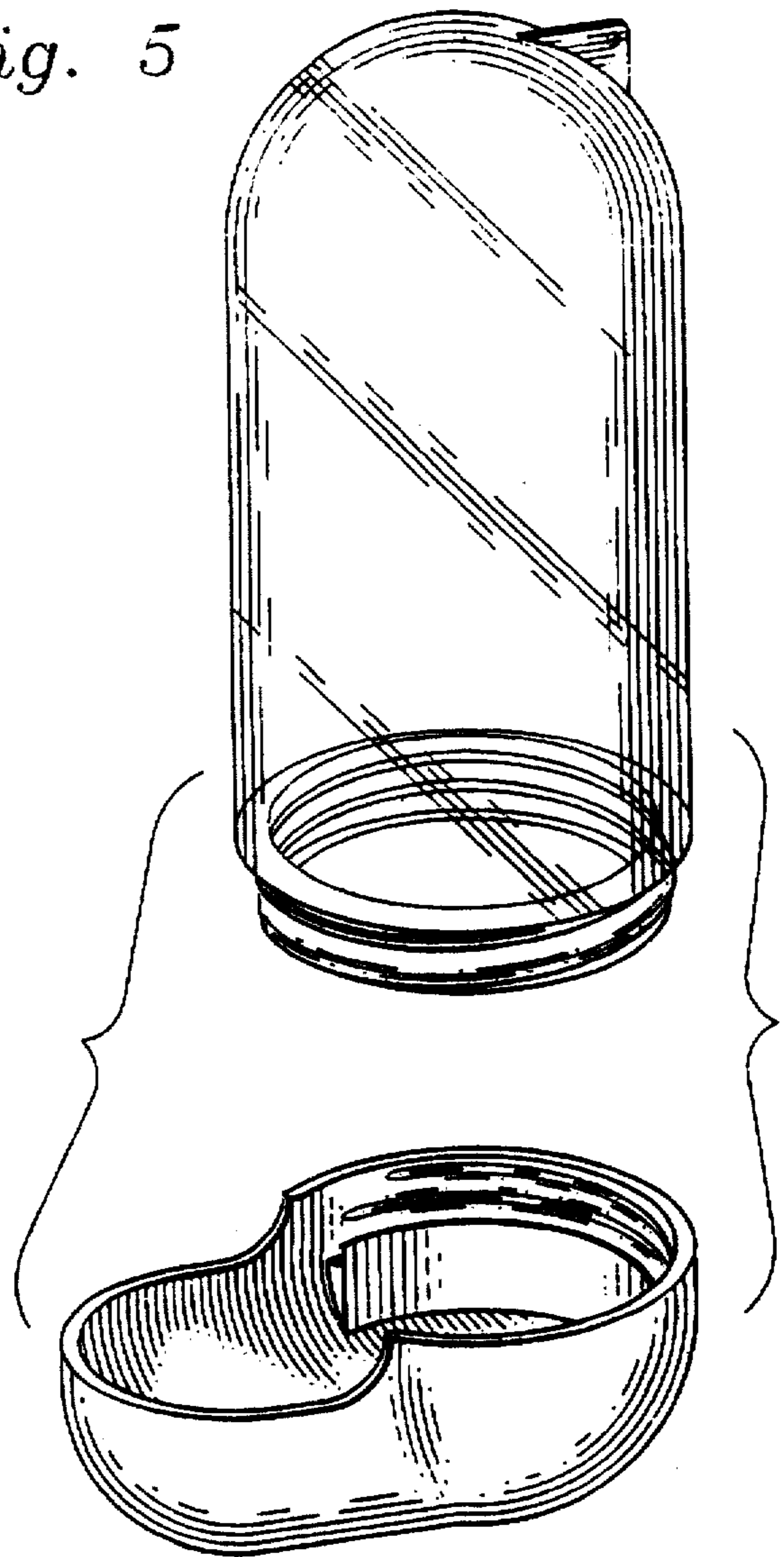


Fig. 7