



US00D393105S

United States Patent [19]

[11] Patent Number: **Des. 393,105**

Wolff

[45] Date of Patent: ****Mar. 31, 1998**

[54] **TRIPLE DISPENSER AND CONTAINER SET**

[76] Inventor: **Stephen H. Wolff, 35 W. 35th St., New York, N.Y. 10001**

[**] Term: **14 Years**

[21] Appl. No.: **56,720**

[22] Filed: **Jul. 8, 1996**

Related U.S. Application Data

[63] Continuation-in-part of Ser. No. 50,788, Feb. 23, 1996, and Ser. No. 54,120, May 7, 1996.

[51] LOC (6) Cl. **28-03**

[52] U.S. Cl. **D28/73**

[58] Field of Search D28/9, 61, 73, D28/77; D9/455, 337, 341, 300, 517, 529, 556, 500-504; D24/230; D6/524, 527, 530, 531, 535; D19/75, 95; D3/205, 274, 304, 313, 314, 901; D7/554, 590, 592, 612, 701, 708; 206/581, 823, 562, 139, 763, 486, 490; 211/71, 74; 248/146; 220/23.2, 23.8, 23.83, 737; 132/286, 314

[56] **References Cited**

U.S. PATENT DOCUMENTS

D. 52,793	12/1918	Hoffman	D9/503
D. 100,521	7/1936	Titus	D9/517
D. 183,379	8/1958	Alley	D3/901 X
D. 216,494	1/1970	Levin	D28/99
D. 231,728	6/1974	Kretz	D9/556
D. 336,845	6/1993	Carroll et al.	D9/300

D. 356,507	3/1995	Lang et al.	D9/556
2,217,644	10/1940	Conner	220/23.4
2,371,448	3/1945	Kendig	D28/91 X
4,151,911	5/1979	Klingaman	206/562 X
5,248,870	9/1993	Redal	211/74 X

OTHER PUBLICATIONS

Hong Kong Enterprise Nov. 1985, p. 206: Container indicated by arrow.

Hong Kong Enterprise Oct. 1990, p. 544: item No. 90313, second row from top on left.

Hong Kong Enterprise Jun. 1994, p. 667: item No. 5101105 at bottom.

Primary Examiner—Ted Shooman

Assistant Examiner—C. Tuttle

Attorney, Agent, or Firm—Lerner, David, Littenberg, Krumholz & Mentlik

[57] **CLAIM**

The ornamental design for a triple dispenser and container set shown and described.

DESCRIPTION

FIG. 1 is a front perspective view of the triple dispenser and container set in accordance with my invention;

FIG. 2 is an exploded perspective view thereof;

FIG. 3 is a front elevational view thereof shown on an enlarged scale;

FIG. 4 is a left side elevational view thereof;

FIG. 5 is a right side elevational view thereof;

FIG. 6 is a top plan view thereof; and,

FIG. 7 is a bottom plan view.

1 Claim, 6 Drawing Sheets

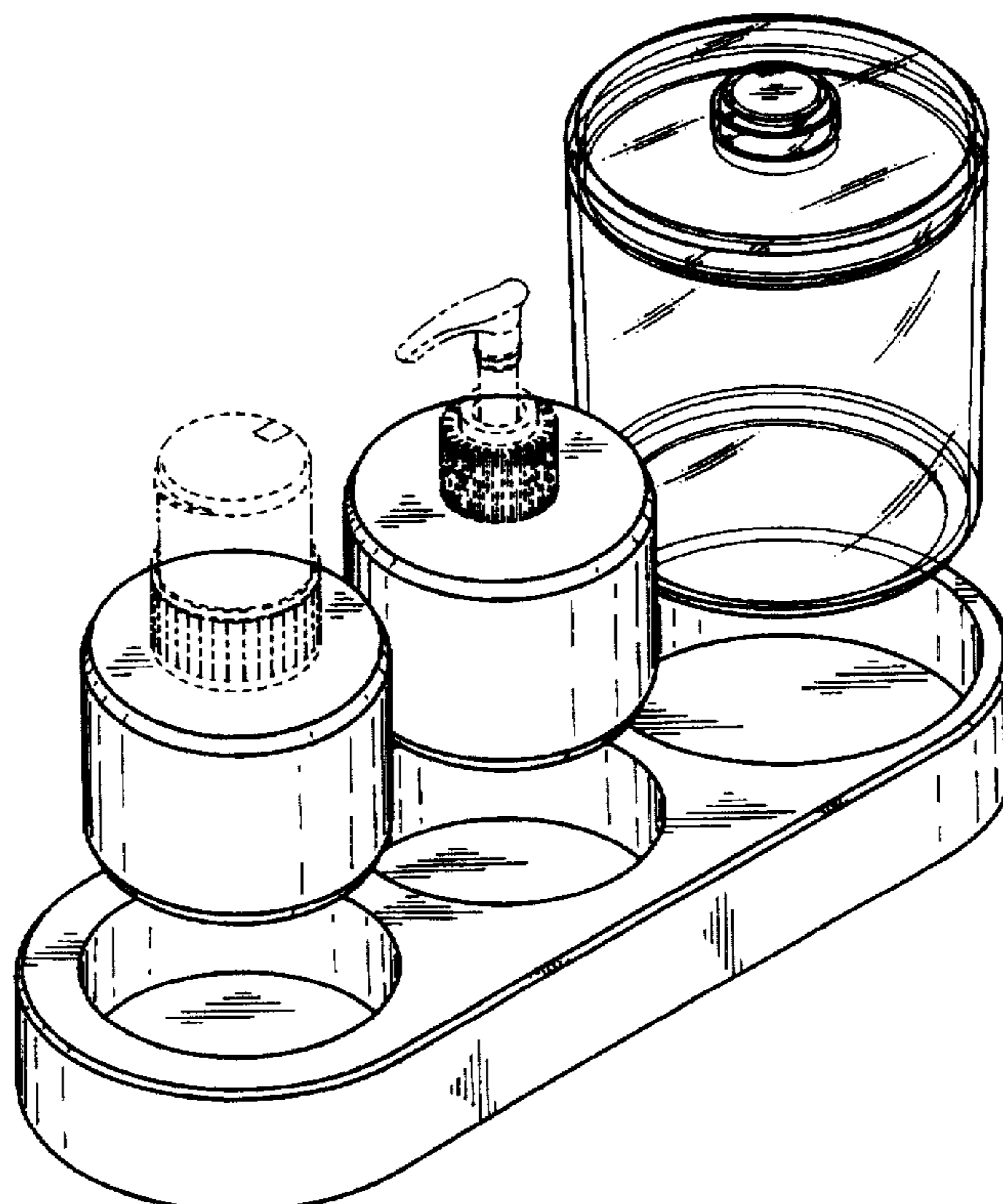


FIG. 1

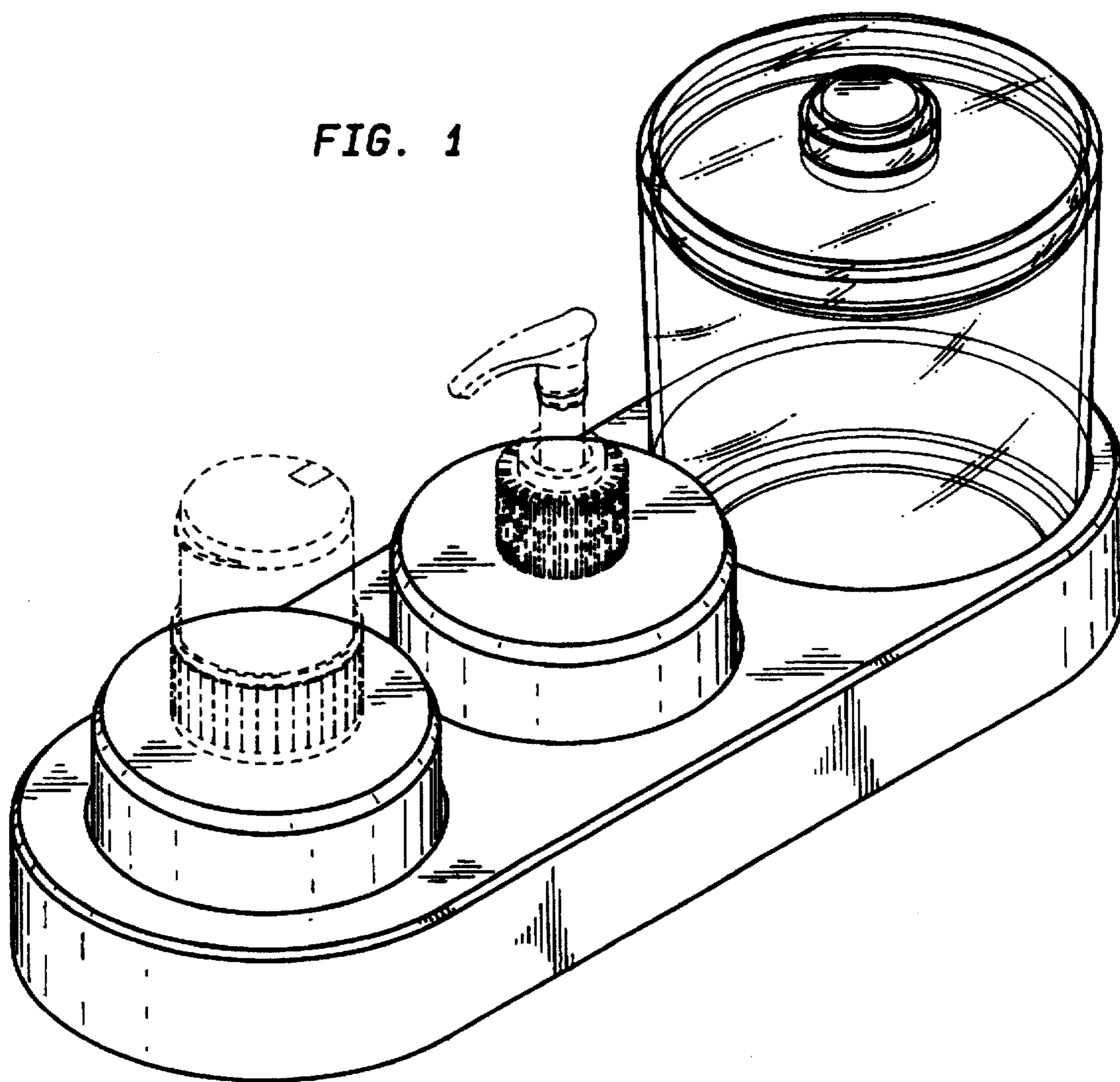


FIG. 2

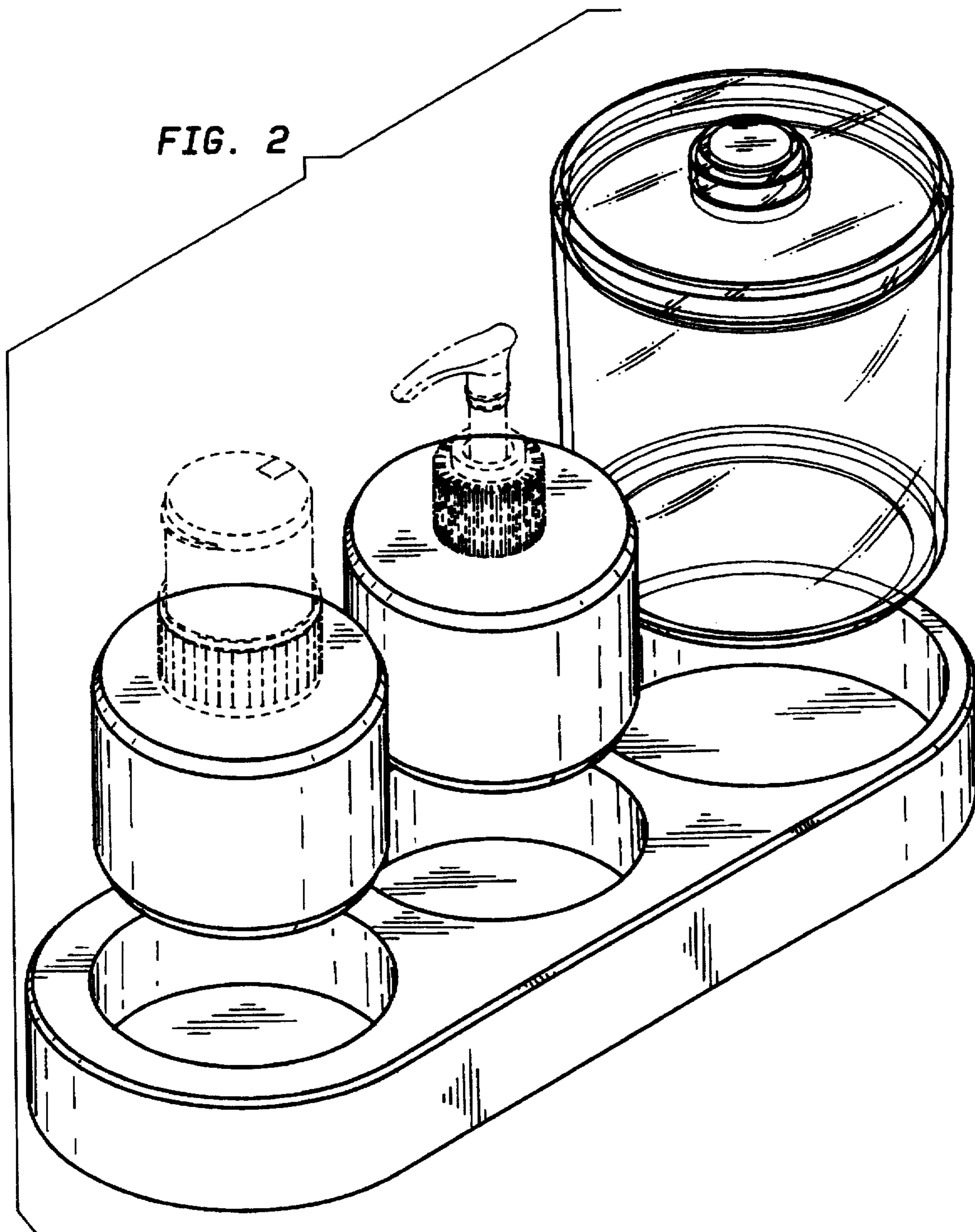


FIG. 3

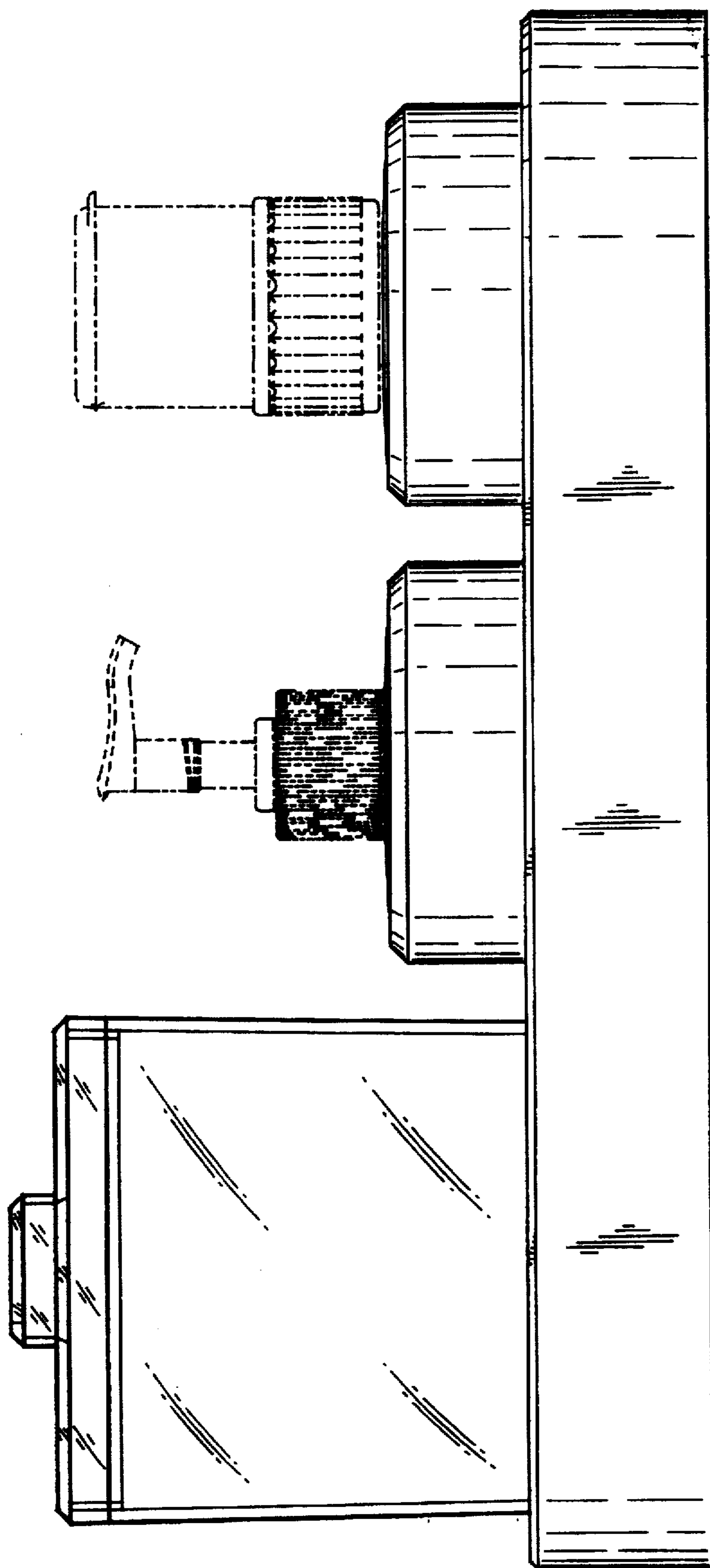


FIG. 5

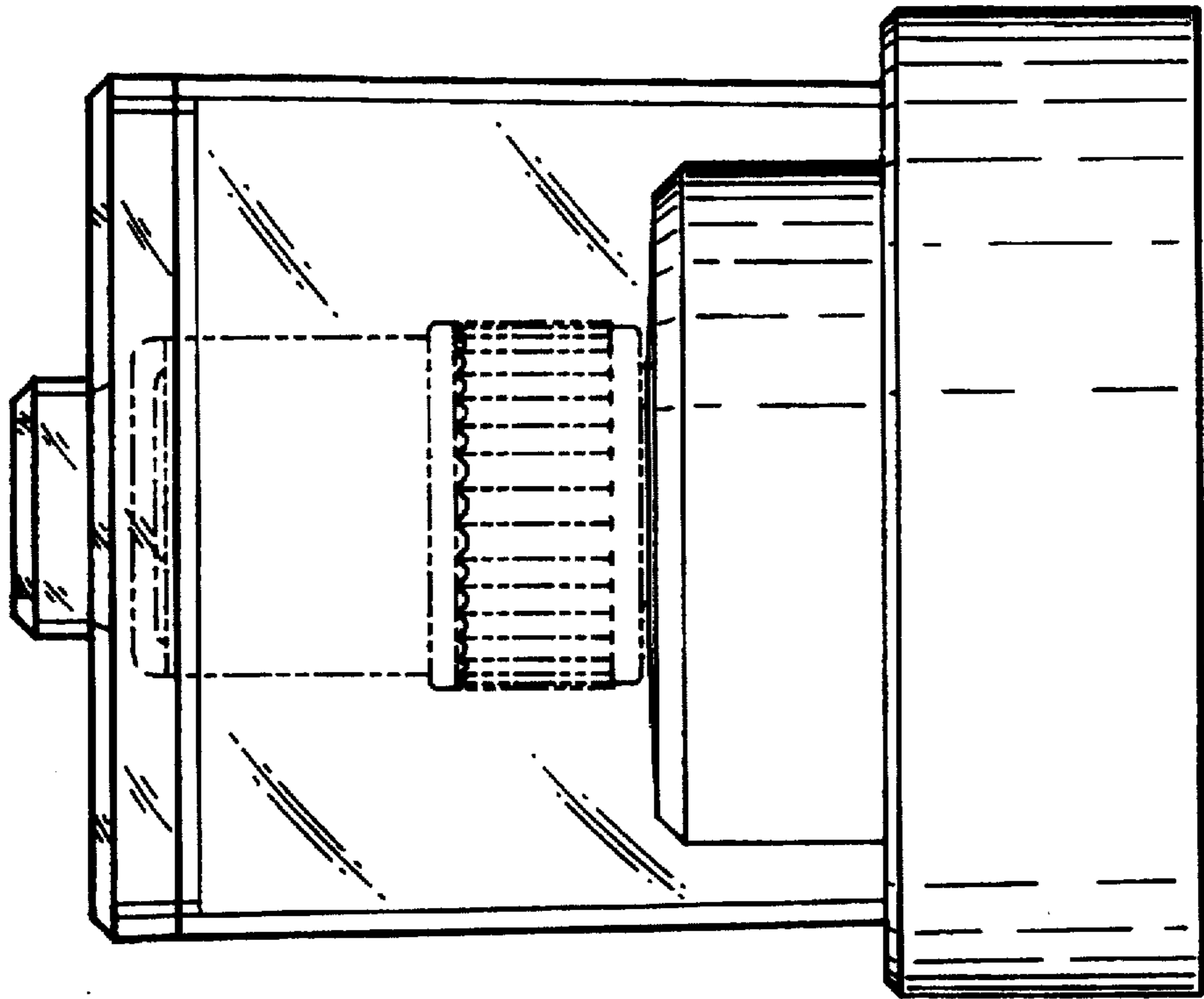


FIG. 4

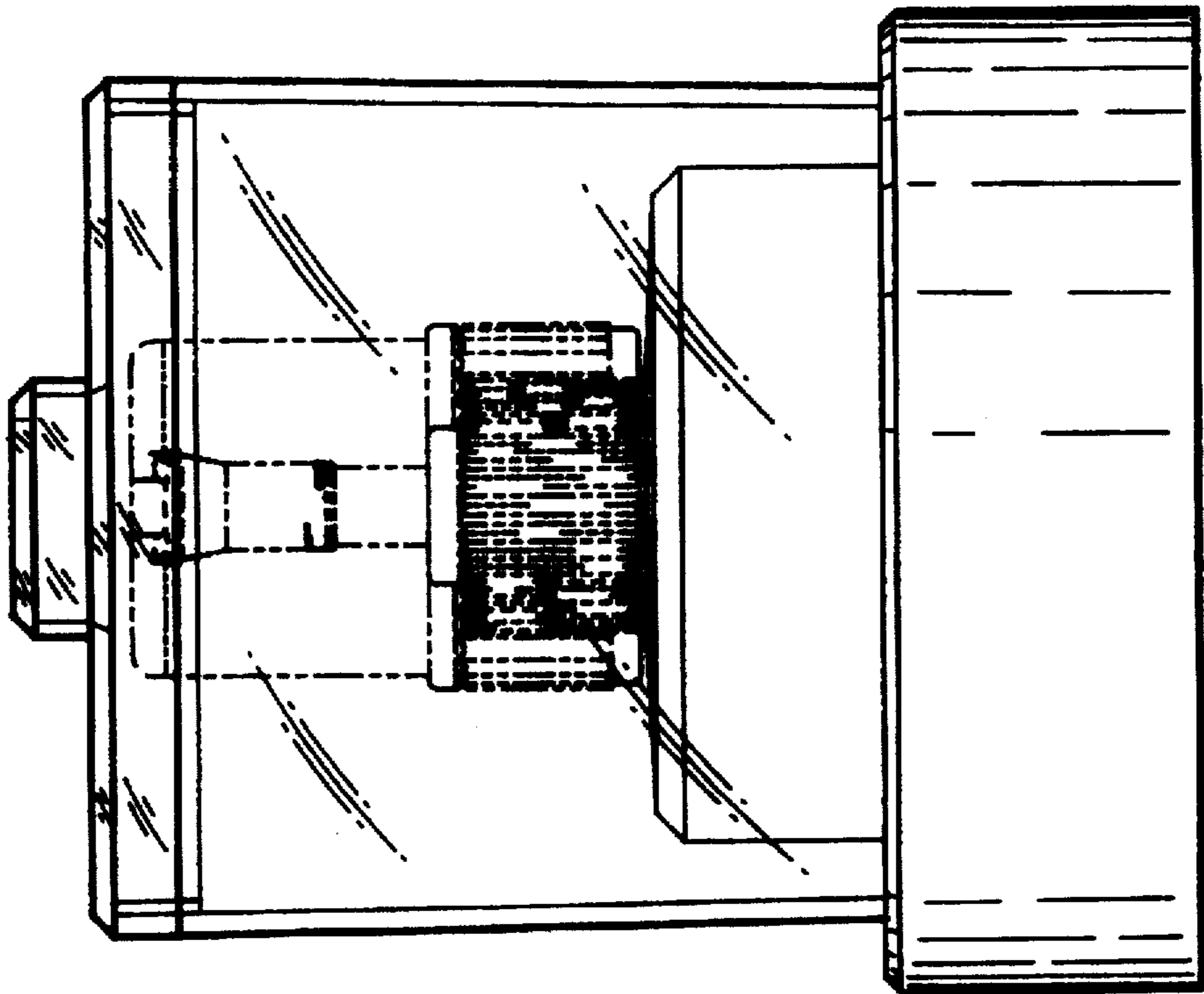


FIG. 6

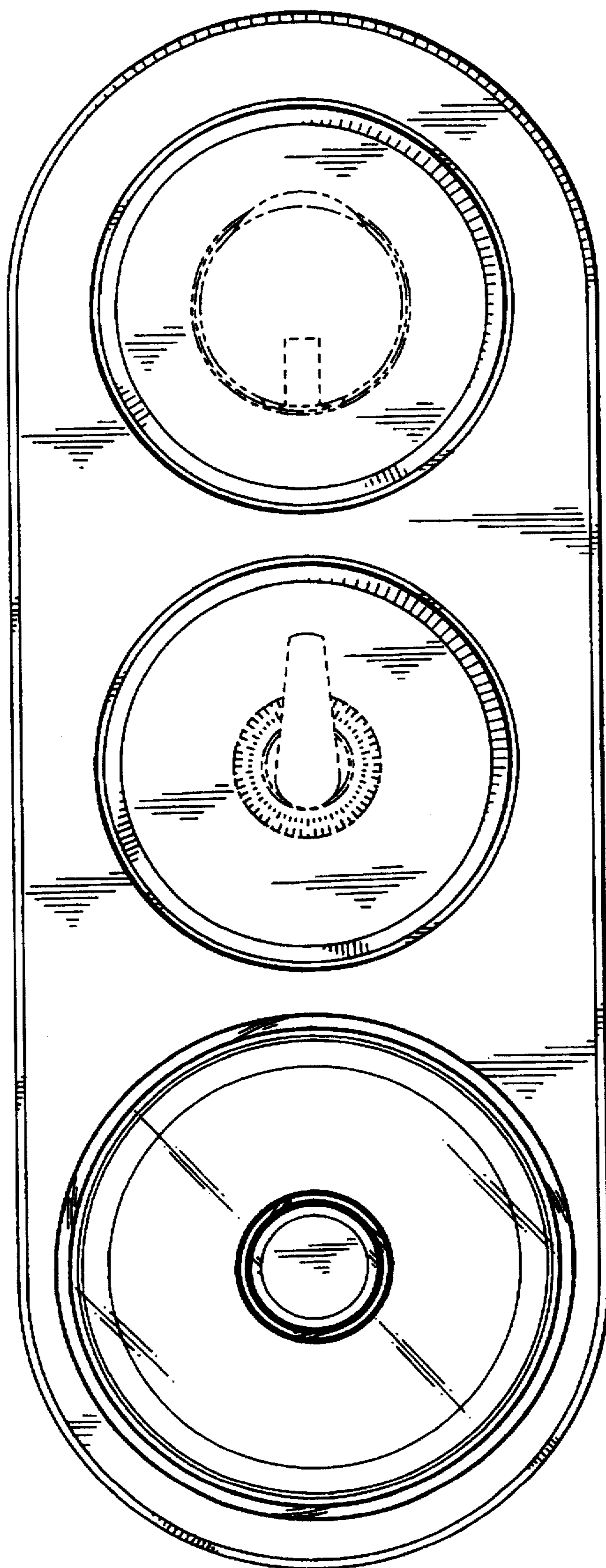
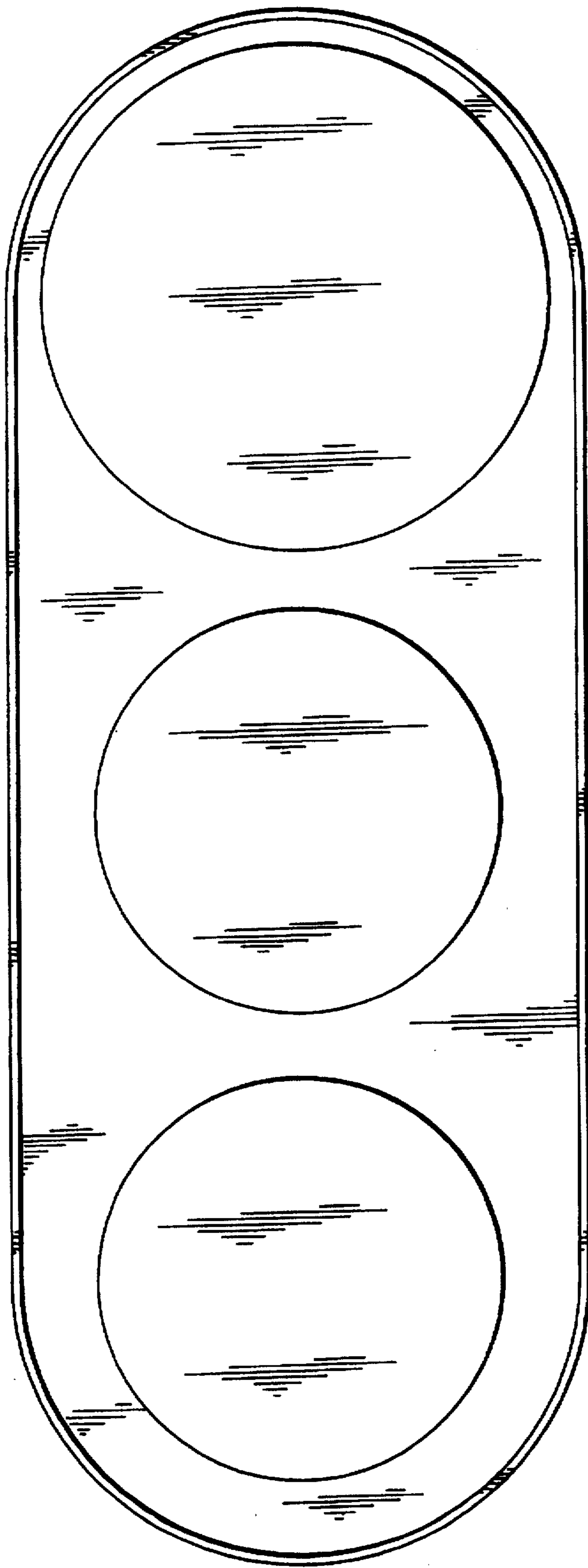


FIG. 7



UNITED STATES PATENT AND TRADEMARK OFFICE
CERTIFICATE OF CORRECTION

PATENT NO. : D393,105

DATED : March 31, 1998

INVENTOR(S) : Wolff

It is certified that error appears in the above-identified patent and that said Letters Patent is hereby corrected as shown below:

On the cover page before the claim insert:

--The undisclosed bottom portions of the containers form no part of the claimed design. The broken lines showing the caps of the smaller containers are for illustrative purposes only and form no part of the claimed design. --

Signed and Sealed this
Twenty-third Day of June, 1998



Attest:

BRUCE LEHMAN

Attesting Officer

Commissioner of Patents and Trademarks