



US00D393104S

**United States Patent** [19]  
**Wolff**

[11] **Patent Number: Des. 393,104**  
[45] **Date of Patent: \*\*Mar. 31, 1998**

[54] **DISPENSER AND CONTAINER SET**

[76] **Inventor: Stephen H. Wolff, 35 W. 35th St., New York, N.Y. 10001**

[\*\*] **Term: 14 Years**

[21] **Appl. No.: 54,120**

[22] **Filed: May 7, 1996**

[51] **LOC (6) Cl. .... 28-03**

[52] **U.S. Cl. .... D28/73**

[58] **Field of Search** ..... D28/9, 61, 73, D28/77; D9/517, 337, 341, 500-504, 455, 556, 429; D6/524, 527, 530, 431, 535; D3/205, 274, 304, 313, 314, 901; D7/554, 590, 592, 612, 701, 708; D24/230; D19/75, 95; 132/286, 314; 206/581, 823, 562, 763, 139, 486, 490; 211/71, 74; 248/146; 220/23.2, 23.8, 23.83, 737

[56] **References Cited**

**U.S. PATENT DOCUMENTS**

D. 52,793	12/1918	Hoffman	.....	D9/503
D. 100,521	7/1936	Titus	.....	D9/517
D. 183,379	8/1958	Alley	.....	D3/901 X
D. 216,494	1/1970	Levin	.....	D28/99
D. 231,728	6/1974	Kretz	.....	D9/556
D. 356,507	3/1995	Lang et al.	.....	D9/556
2,217,644	10/1940	Conner	.....	220/23.4
2,371,448	3/1945	Kendig	.....	D28/91 X
4,151,911	5/1979	Klingaman	.....	206/562 X
5,248,870	9/1993	Redal	.....	211/74 X

**OTHER PUBLICATIONS**

Hong Kong Enterprise Nov. 1985, p. 206: Container indicated by arrow.

Hong Kong Enterprise Oct. 1990 p. 544: item No. 90313. Second row from top on left.

Hong Kong Enterprise Jun. 1994, p. 667: item No. 5101105 at bottom.

*Primary Examiner*—Ted Shooman

*Assistant Examiner*—C. Tuttle

*Attorney, Agent, or Firm*—Lerner, David, Littenberg, Krumholz & Mentlik

[57] **CLAIM**

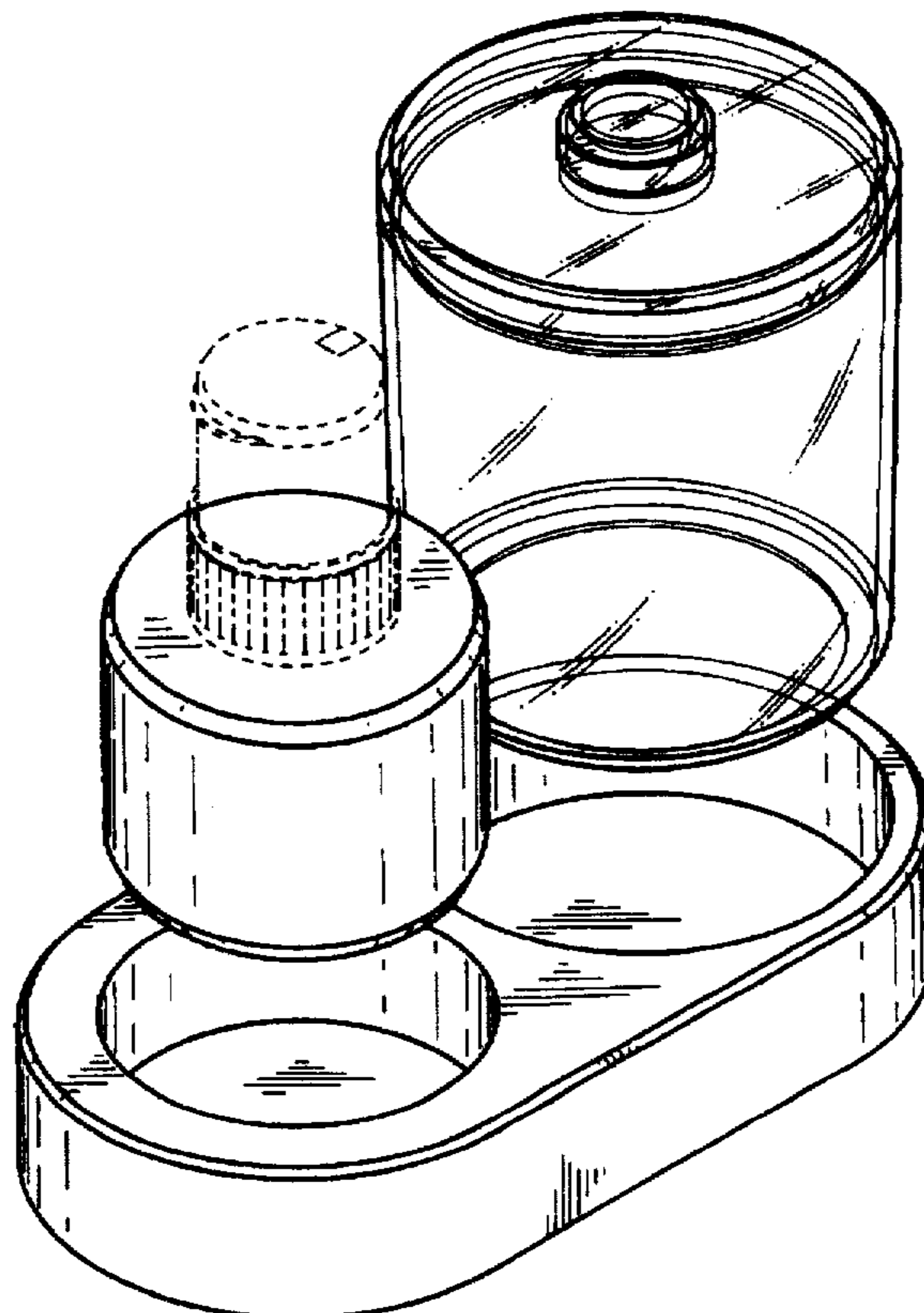
The ornamental design for a dispenser and container set, shown and described.

**DESCRIPTION**

FIG. 1 is a front perspective view of the dispenser and container set in accordance with my invention; FIG. 2 is a front exploded perspective view thereof; FIG. 3 is a rear elevational view shown on an enlarged scale, the front elevational view is a mirror image thereof; FIG. 4 is a right side elevational view thereof; FIG. 5 is a left side elevational view thereof; FIG. 6 is a top plan view thereof; and, FIG. 7 is a bottom plan view shown on a further enlarged scale.

The undisclosed bottom portions of the containers form no part of the claimed design. The broken lines showing the cap of the smaller container are for illustrative purposes only and form no part of the claimed design.

**1 Claim, 6 Drawing Sheets**



**FIG. 1**

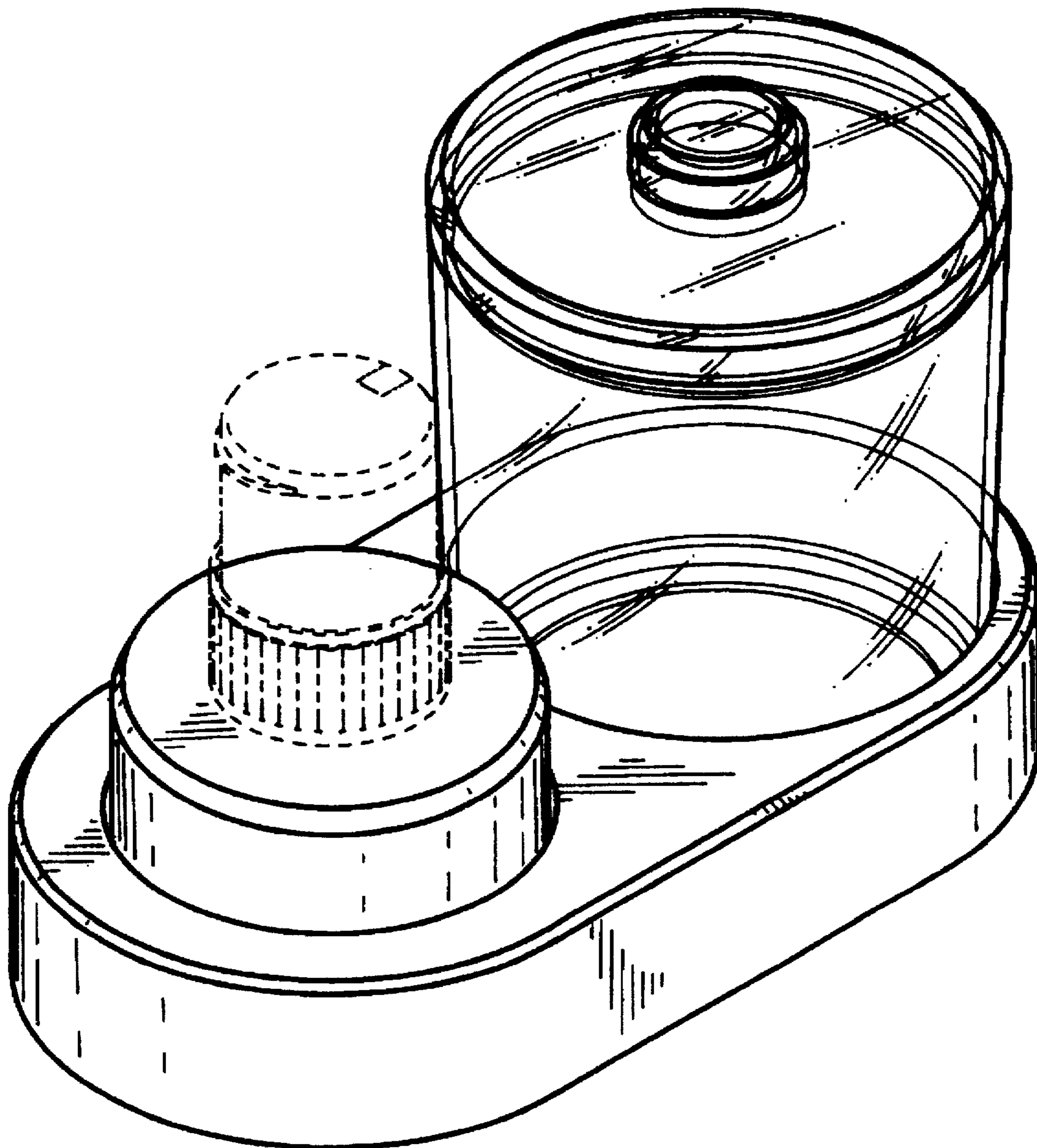


FIG. 2

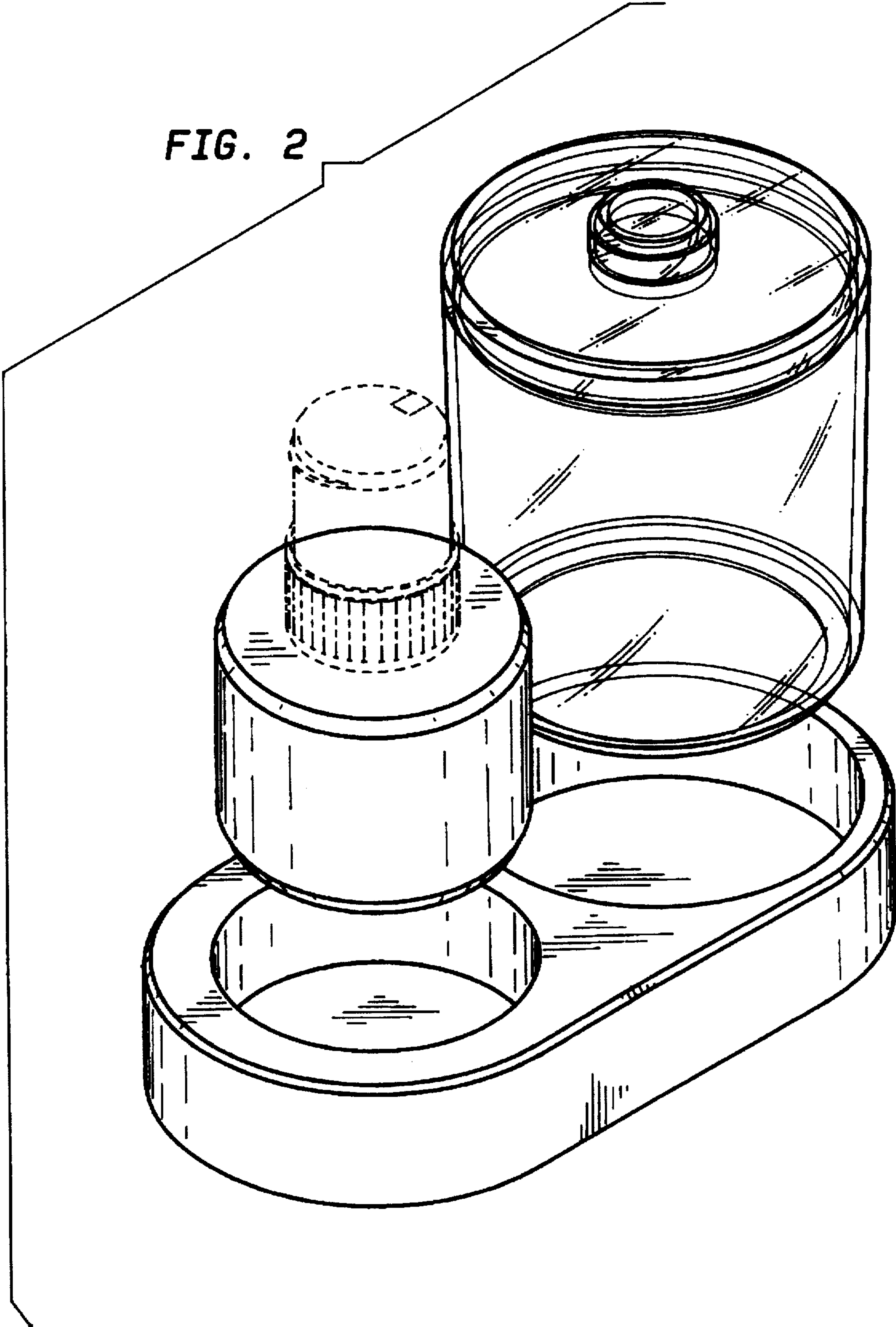


FIG. 3

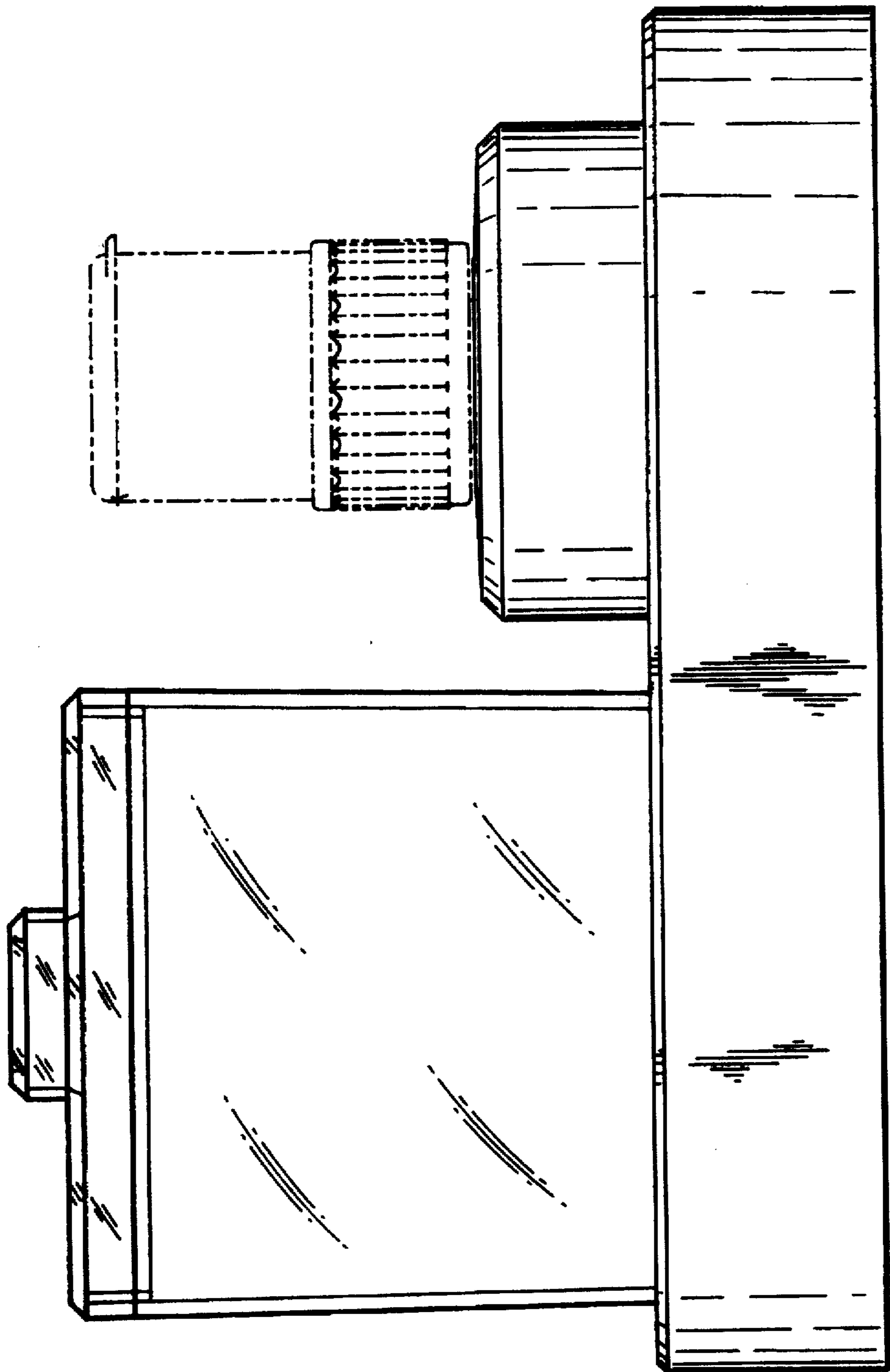


FIG. 5

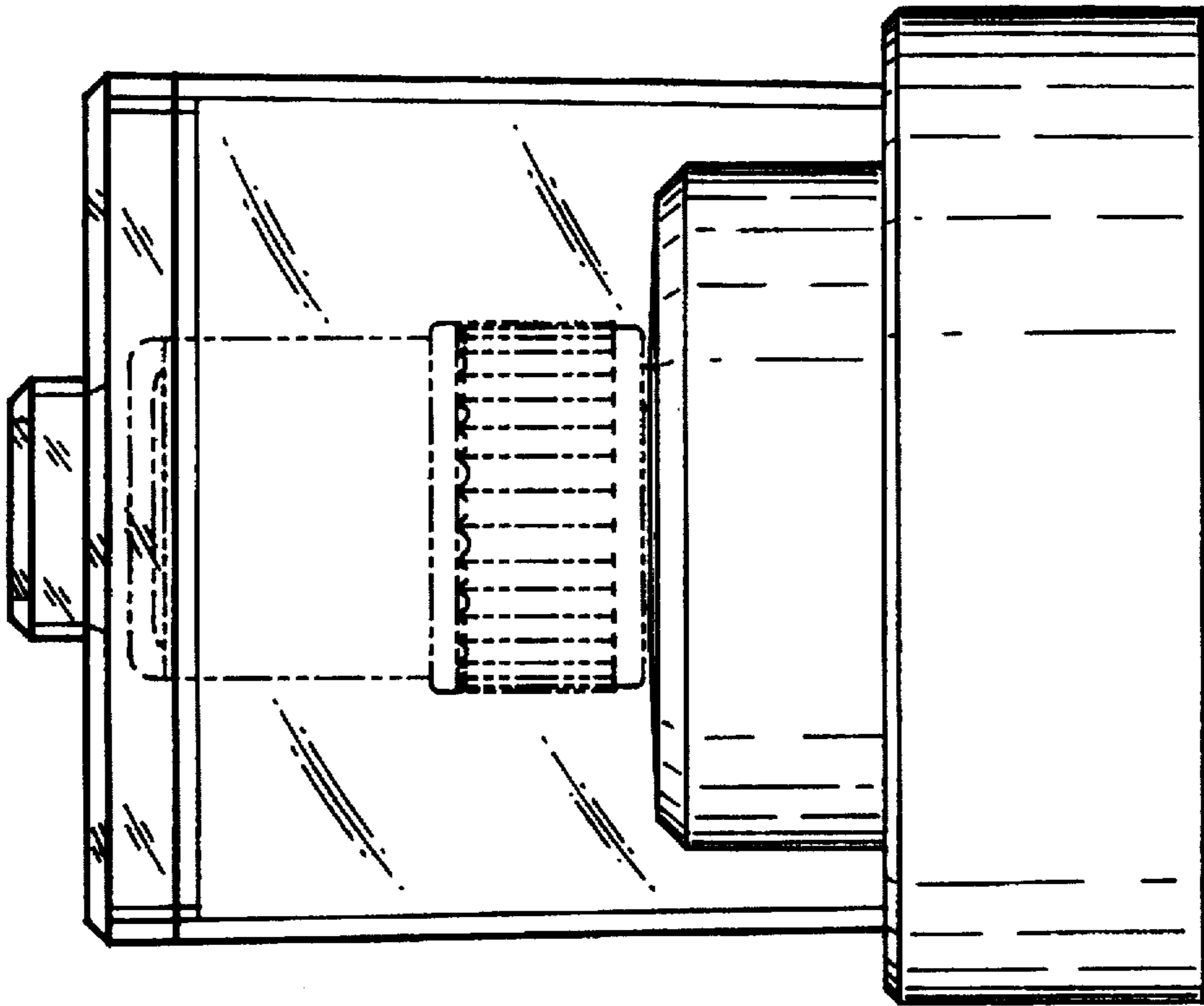


FIG. 4

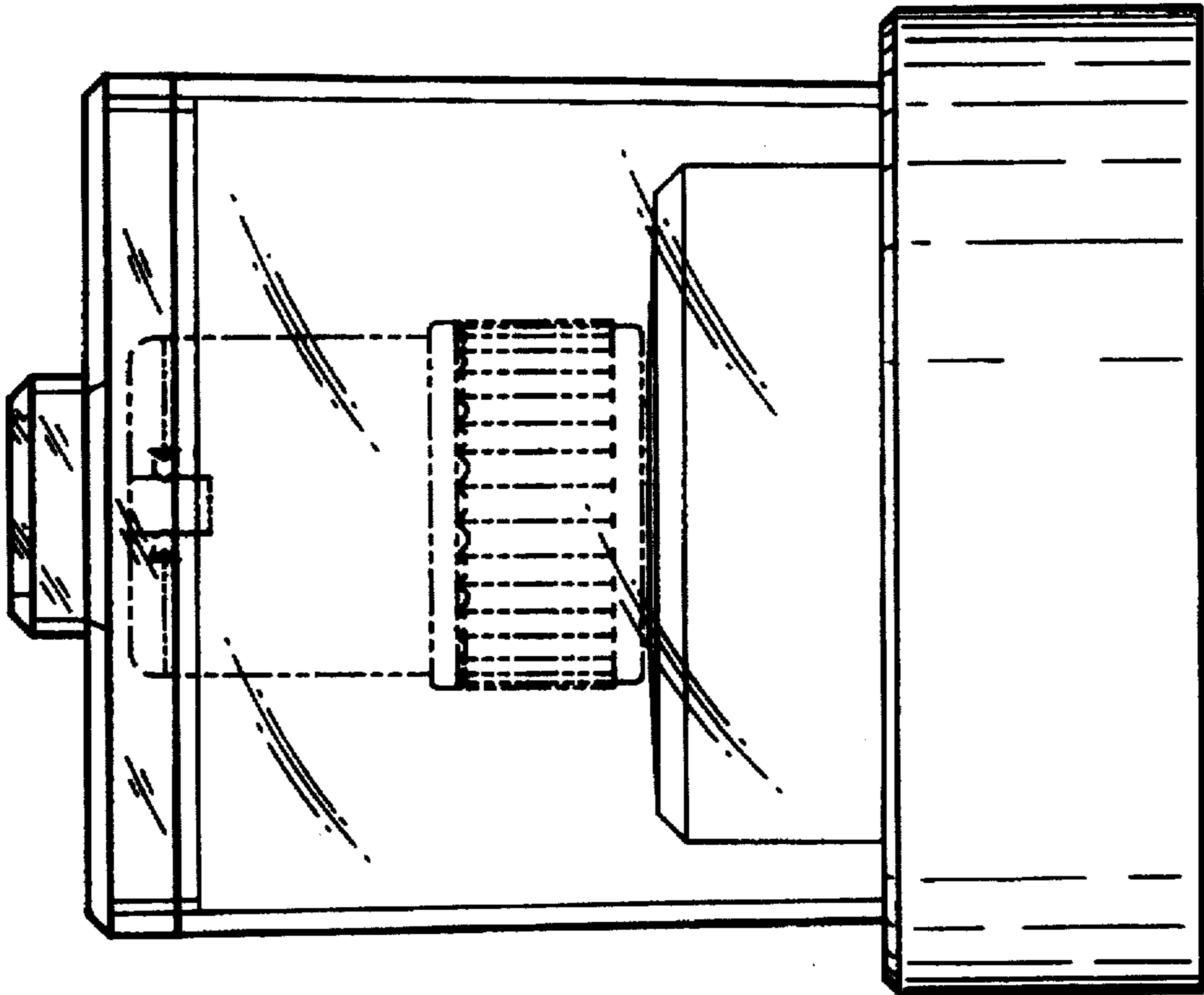


FIG. 6

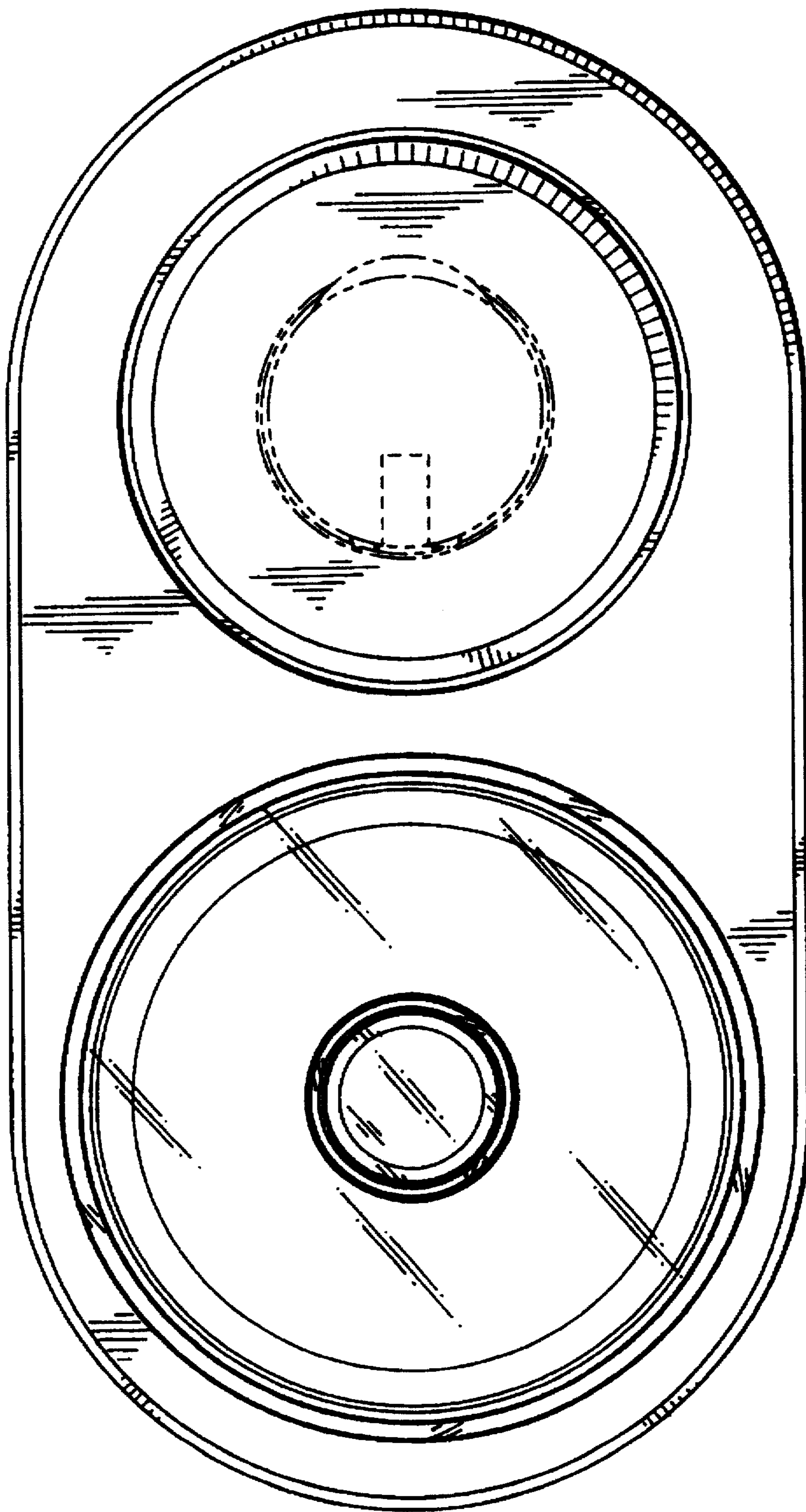


FIG. 7

