



US00D393102S

**United States Patent** [19]  
**Meier**

[11] **Patent Number:** **Des. 393,102**  
[45] **Date of Patent:** **\*\*Mar. 31, 1998**

[54] **LOTION APPLICATOR**  
[75] **Inventor:** **Shiolett B. Meier**, Edmond, Okla.  
[73] **Assignee:** **Useful Products, Inc.**, Edmond, Okla.  
[\*\*] **Term:** **14 Years**  
[21] **Appl. No.:** **52,060**  
[22] **Filed:** **Mar. 22, 1996**  
[51] **LOC (6) Cl.** ..... **28-02**  
[52] **U.S. Cl.** ..... **D28/7; D28/63**  
[58] **Field of Search** ..... **D28/7, 63; D4/116, D4/119-121, 129, 137; D32/40, 52; D24/119; 15/208, 209.1, 210.1, 222, 104.93, 104.94, 244.1, 244.3, 244.4; 601/136-138, 194; 401/6, 8**

5,295,280 3/1994 Hudson et al. .... 15/222  
5,545,451 8/1996 Suida ..... 15/208 X

**FOREIGN PATENT DOCUMENTS**

504234 7/1954 Canada ..... 15/222  
1163541 4/1958 France ..... 15/222  
19125 8/1911 United Kingdom ..... 15/222  
278906 10/1921 United Kingdom ..... 15/222  
2165748 4/1986 United Kingdom ..... 15/222

**OTHER PUBLICATIONS**

Hong Kong Enterprise Jun. 6, 1992, p. 360: item 01 on Far Left.

*Primary Examiner*—Ted Shooman  
*Assistant Examiner*—C. Tuttle  
*Attorney, Agent, or Firm*—Robert D. Treece

[57] **CLAIM**

The ornamental design for a lotion applicator, as shown and described.

**DESCRIPTION**

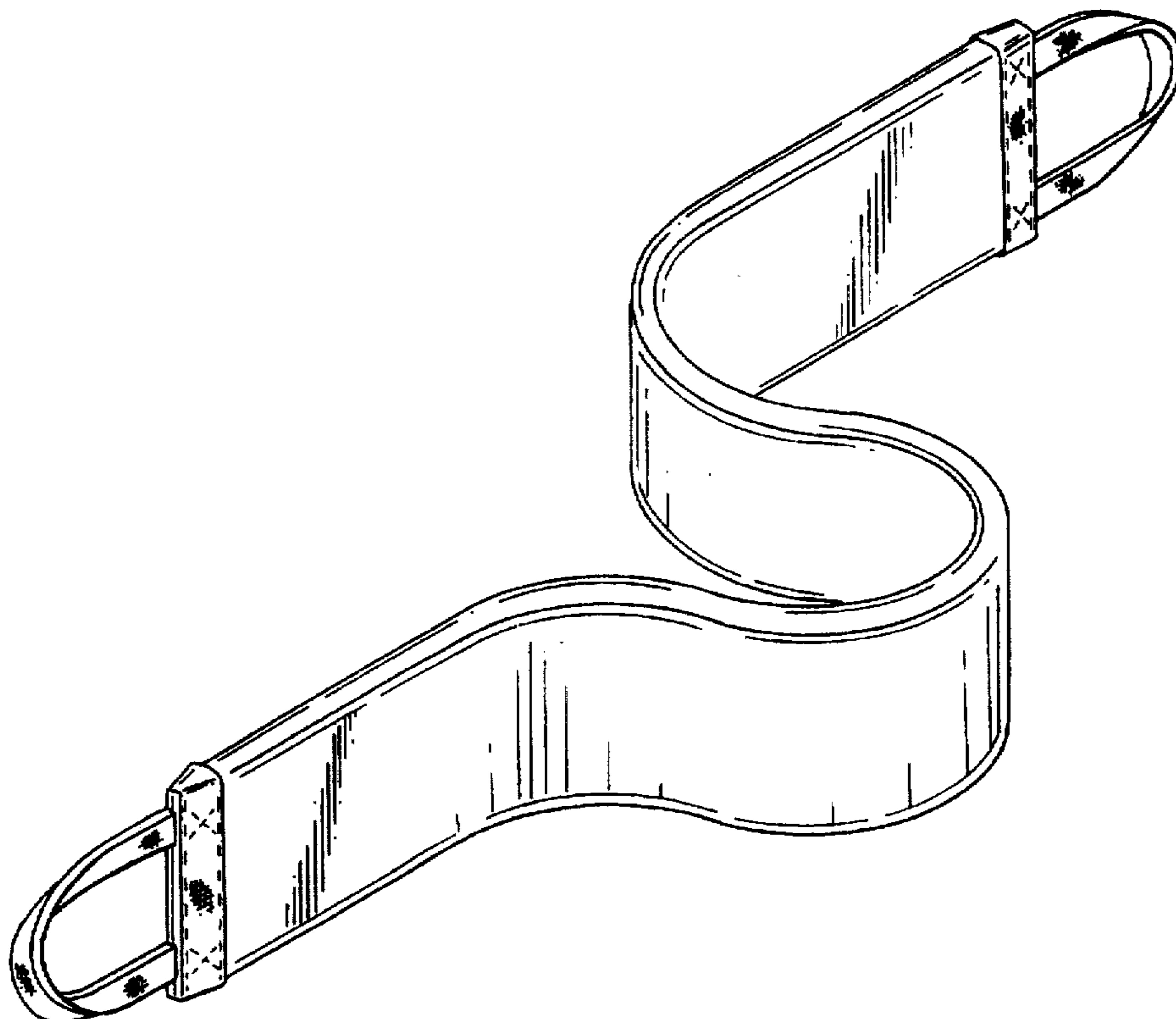
FIG. 1 is a front perspective view of a lotion applicator showing my new design in a partially folded configuration; FIG. 2 is a left end view of the applicator in its fully extended state; FIG. 3 is a right end view thereof; FIG. 4 is a front elevational view thereof; FIG. 5 is a rear elevational view thereof; FIG. 6 is a top plan view thereof; and, FIG. 7 is a bottom plan view thereof.

**1 Claim, 2 Drawing Sheets**

[56] **References Cited**

**U.S. PATENT DOCUMENTS**

1,488,332 3/1924 Foerg ..... 15/244.1  
2,730,745 1/1956 Normhn ..... 132/312  
3,674,374 7/1972 Jennings ..... 401/8  
3,699,980 10/1972 Carpenter .  
3,720,205 3/1973 Liebman ..... 128/67  
3,812,849 5/1974 Guinta ..... 128/67  
3,875,933 4/1975 Schwab ..... 128/67  
4,187,575 2/1980 Collins ..... 15/222  
4,422,205 12/1983 Braxter, Sr. .... 15/222  
4,761,849 8/1988 Taylor ..... 15/222  
5,013,171 5/1991 Almond, II ..... 401/6  
5,251,990 10/1993 Vought et al. .... 401/8



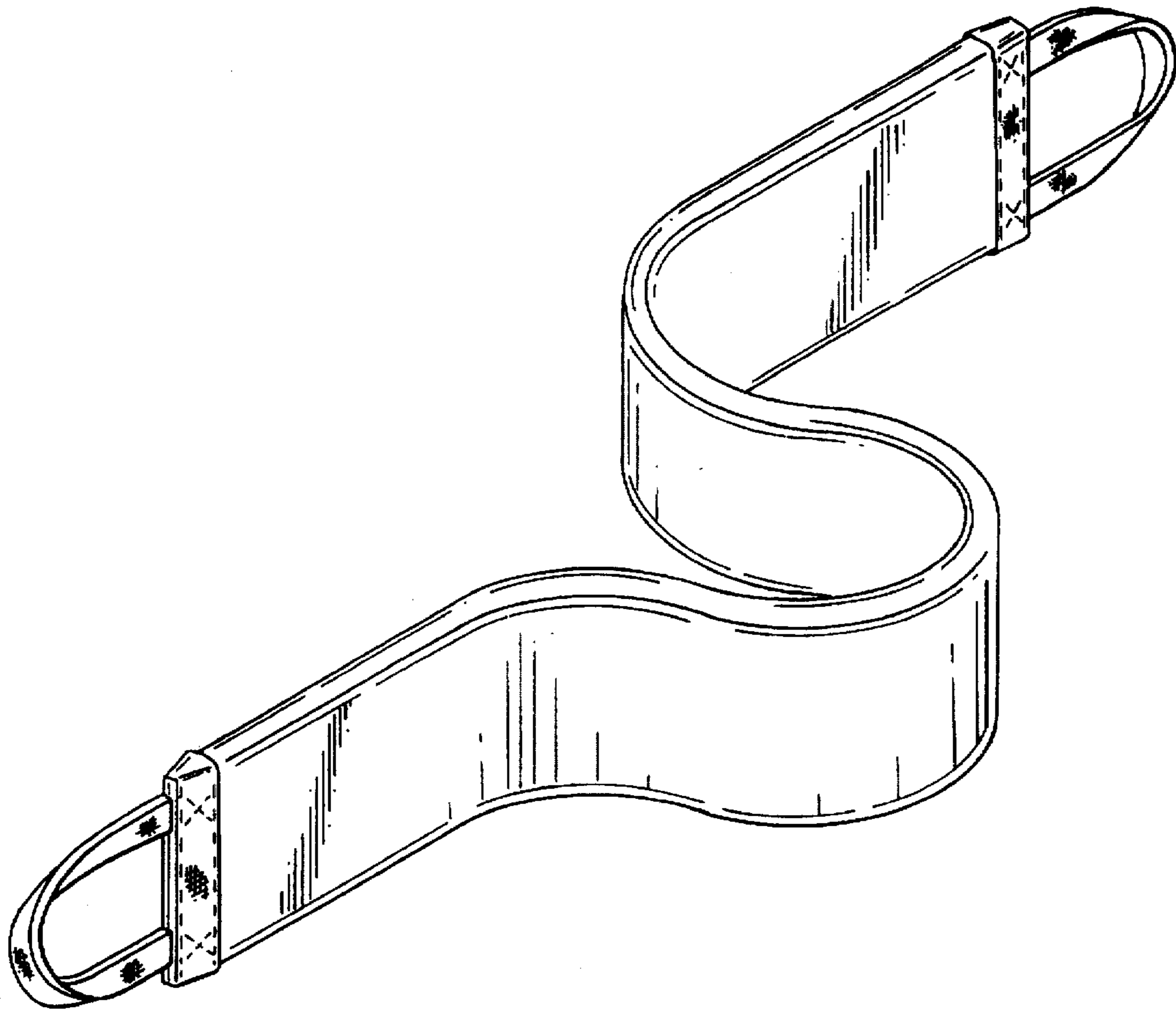


FIG. 1



FIG. 2

FIG. 3

