

US00D393098S

# United States Patent [19]

[11] Patent Number: Des. 393,098

Adams

[45] Date of Patent: \*\*Mar. 31, 1998

[54] WINDOW CANDLE CLAMP

5,110,078 5/1992 Gary ..... 248/206.2  
5,361,195 11/1994 Chen ..... 3612/397

[75] Inventor: William E. Adams, Portersville, Pa.

### FOREIGN PATENT DOCUMENTS

[73] Assignee: Adams Mfg. Corp., Porterville, Pa.

549130 7/1956 Belgium .  
52-32672 of 1977 Japan .  
58-16123 of 1983 Japan .

[\*\*] Term: 14 Years

[21] Appl. No.: 70,735

Primary Examiner—Holly Baynham  
Attorney, Agent, or Firm—Buchanan Ingersoll

[22] Filed: May 14, 1997

### [57] CLAIM

[51] LOC (6) Cl. .... 26-99

[52] U.S. Cl. .... D26/138

[58] Field of Search ..... D8/354, 395; D26/138;  
248/205.5, 206.2, 205.3, 206.5, 205.6, 316.1;  
362/397

The ornamental design for a window candle clamp, as shown and described.

### DESCRIPTION

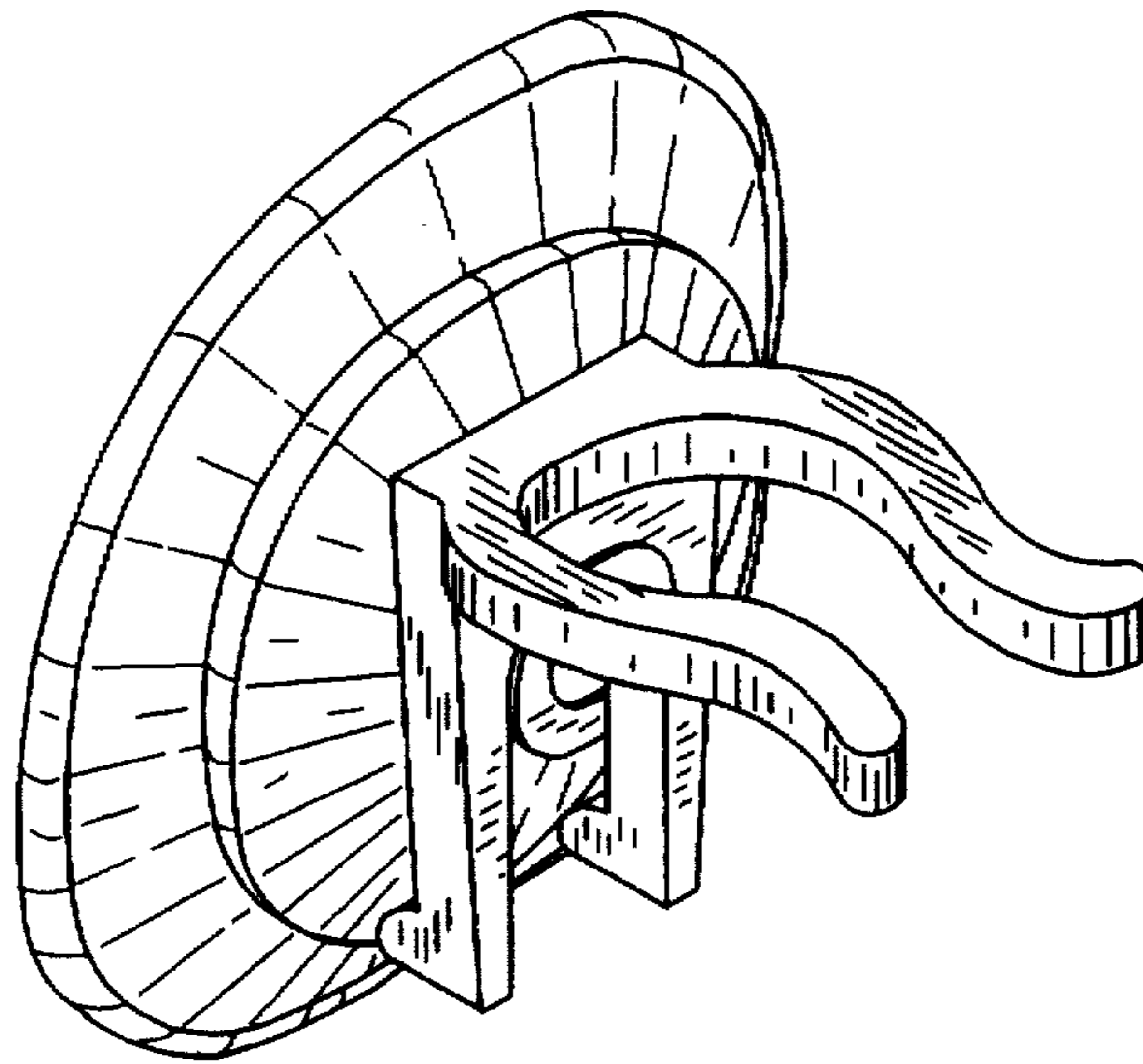
### [56] References Cited

#### U.S. PATENT DOCUMENTS

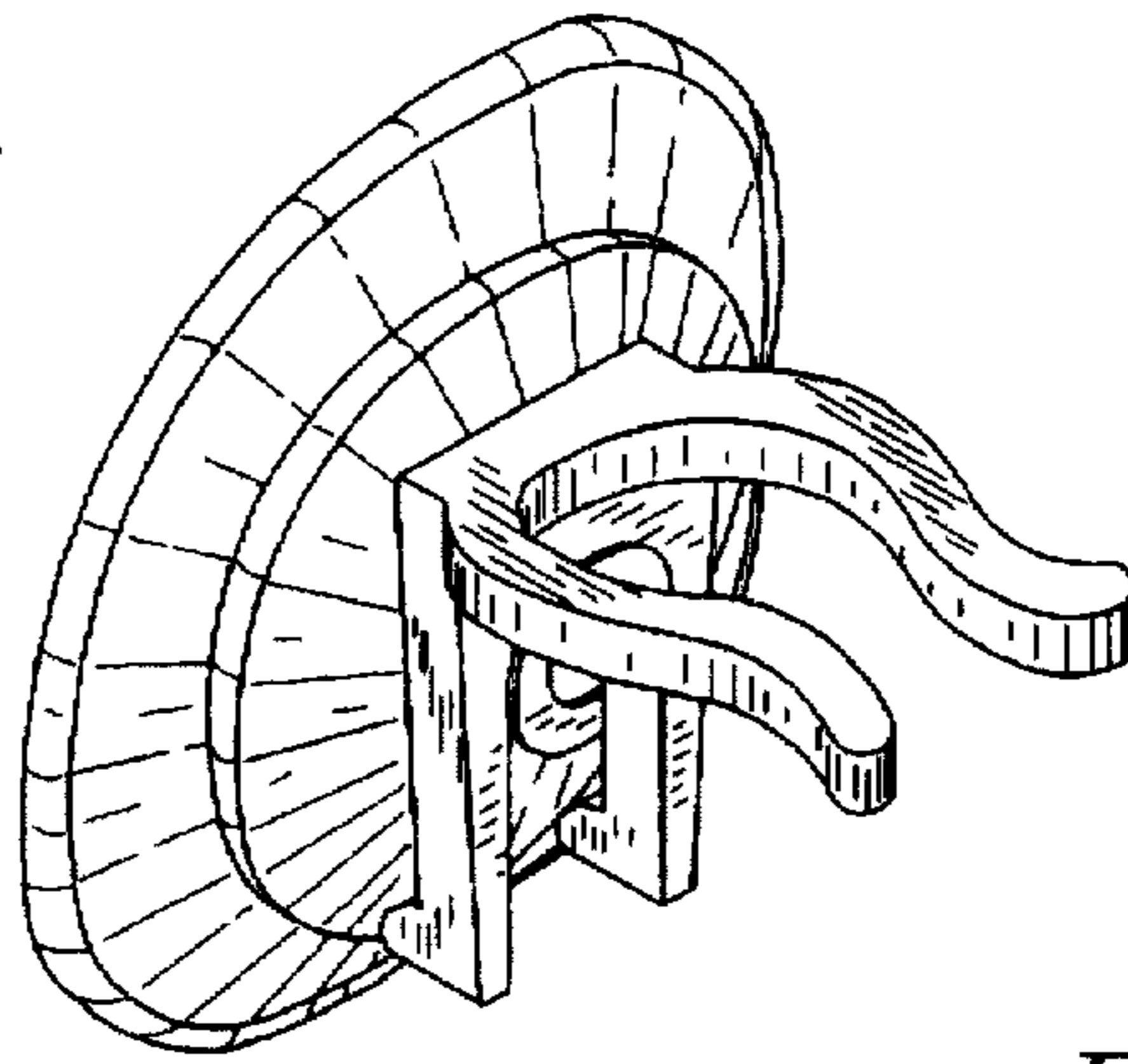
D. 306,553 3/1990 Rumpei ..... D8/395  
D. 375,453 11/1996 Fleck ..... D8/395  
D. 376,308 12/1996 Lee ..... D8/354  
2,145,142 1/1939 Stout ..... 248/205.5  
2,467,251 4/1949 Bowman ..... 248/300

FIG. 1 is a perspective view of my window candle clamp;  
FIG. 2 is a top plan view of my window candle clamp;  
FIG. 3 is a bottom plan view of my window candle clamp;  
FIG. 4 is a right side view of my window candle clamp, the left side being a mirror image thereof;  
FIG. 5 is a front view of my window candle clamp; and  
FIG. 6 is a back view of my window candle clamp.

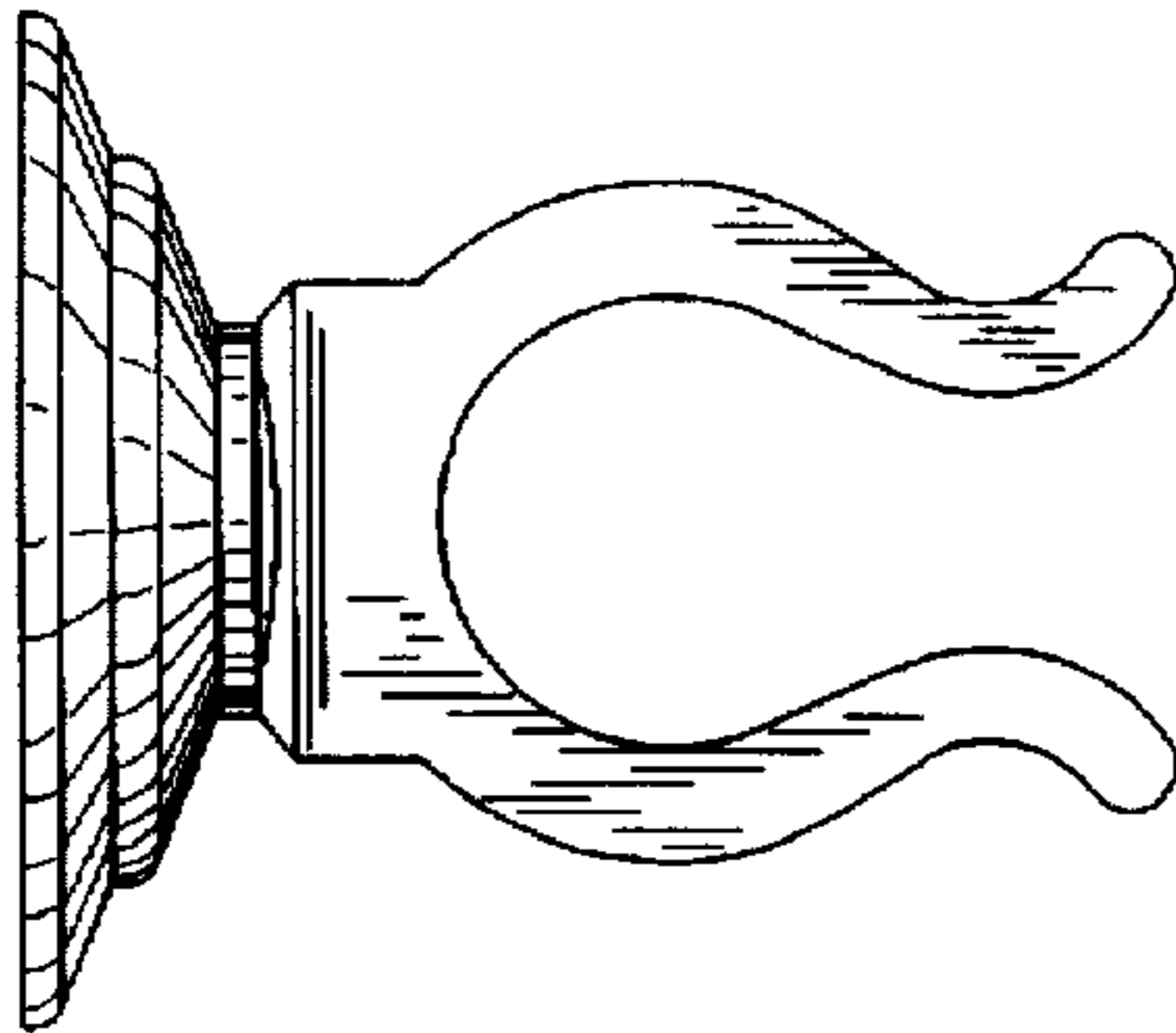
1 Claim, 1 Drawing Sheet



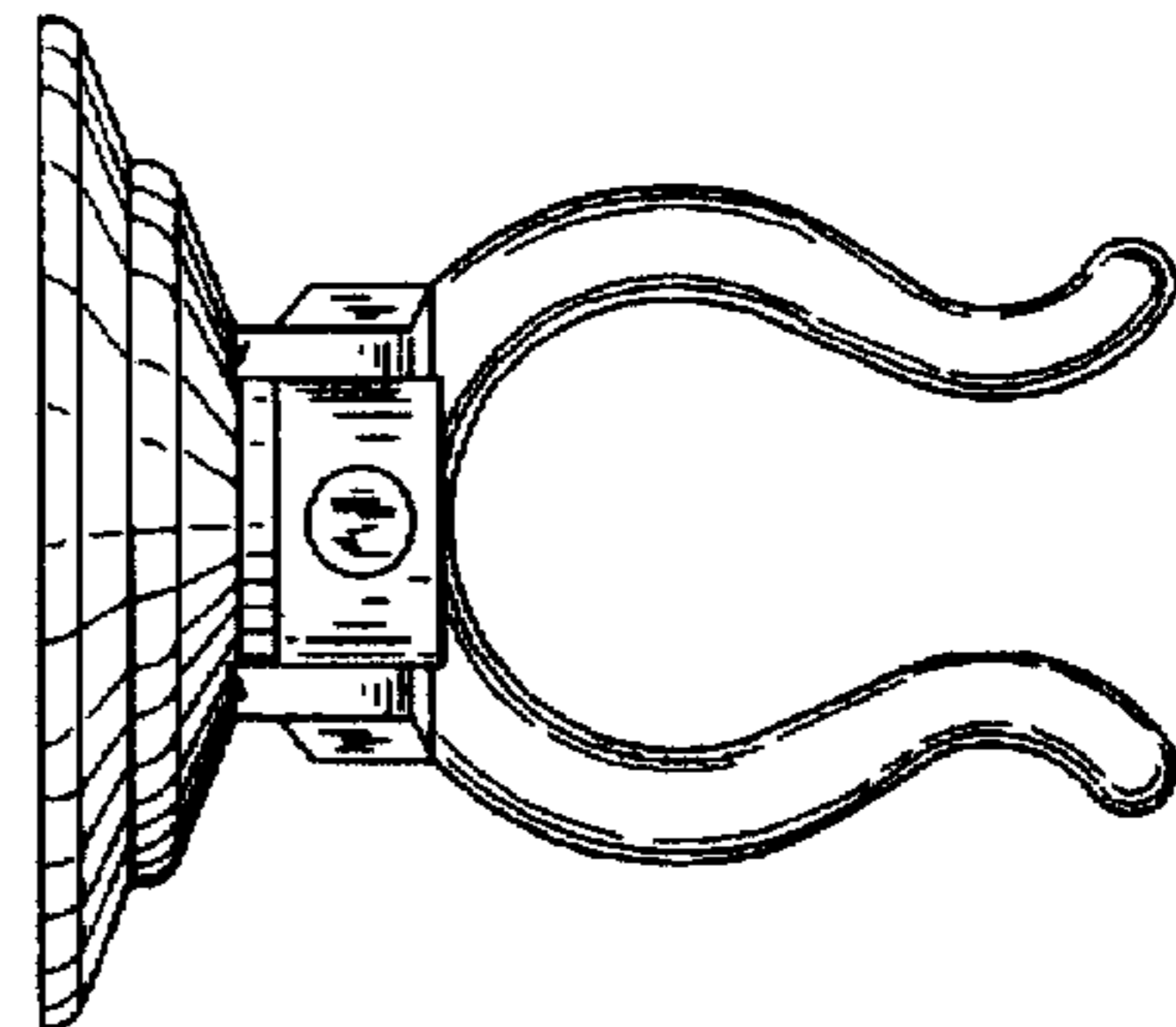
*Fig.1.*



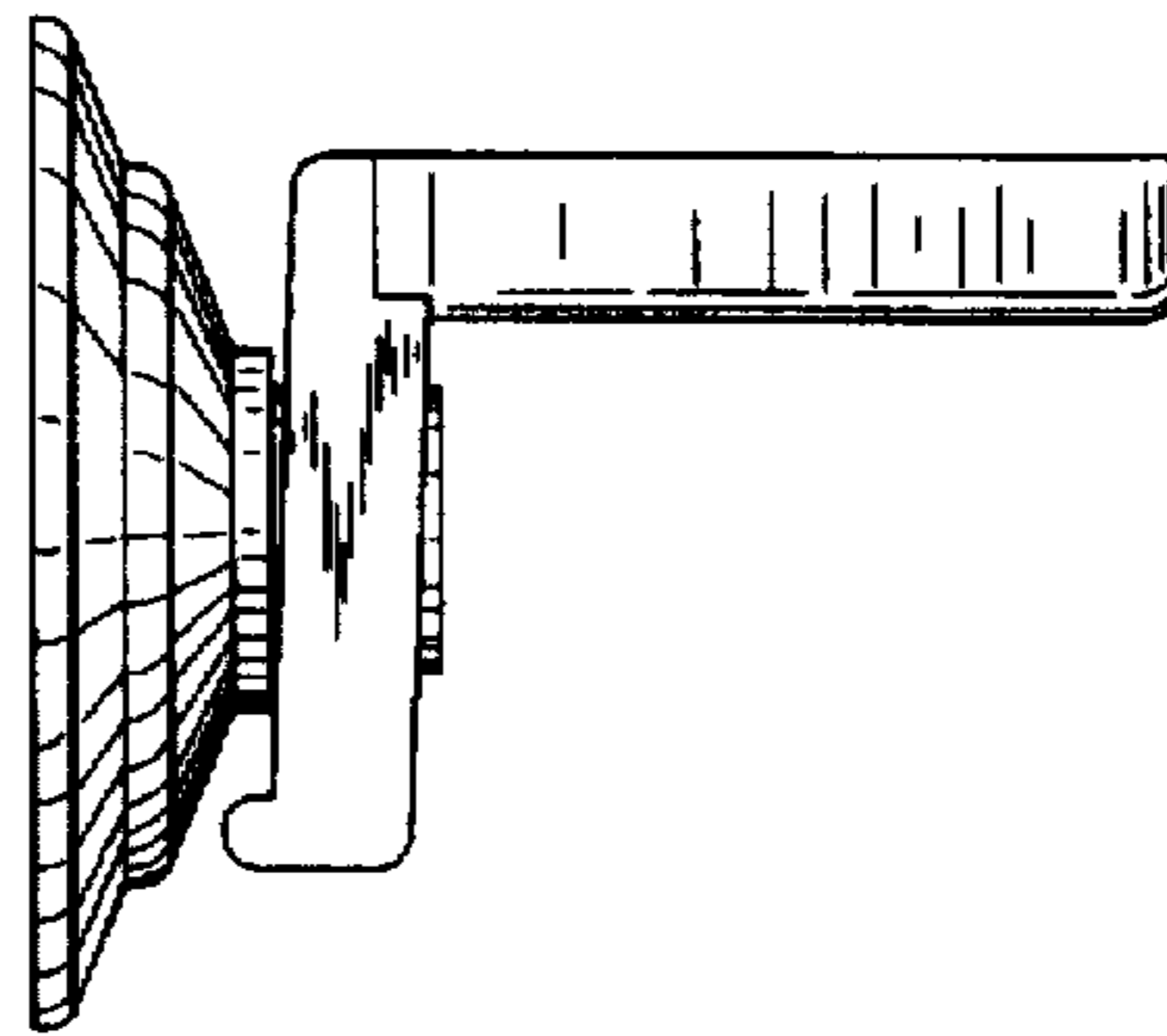
*Fig.2.*



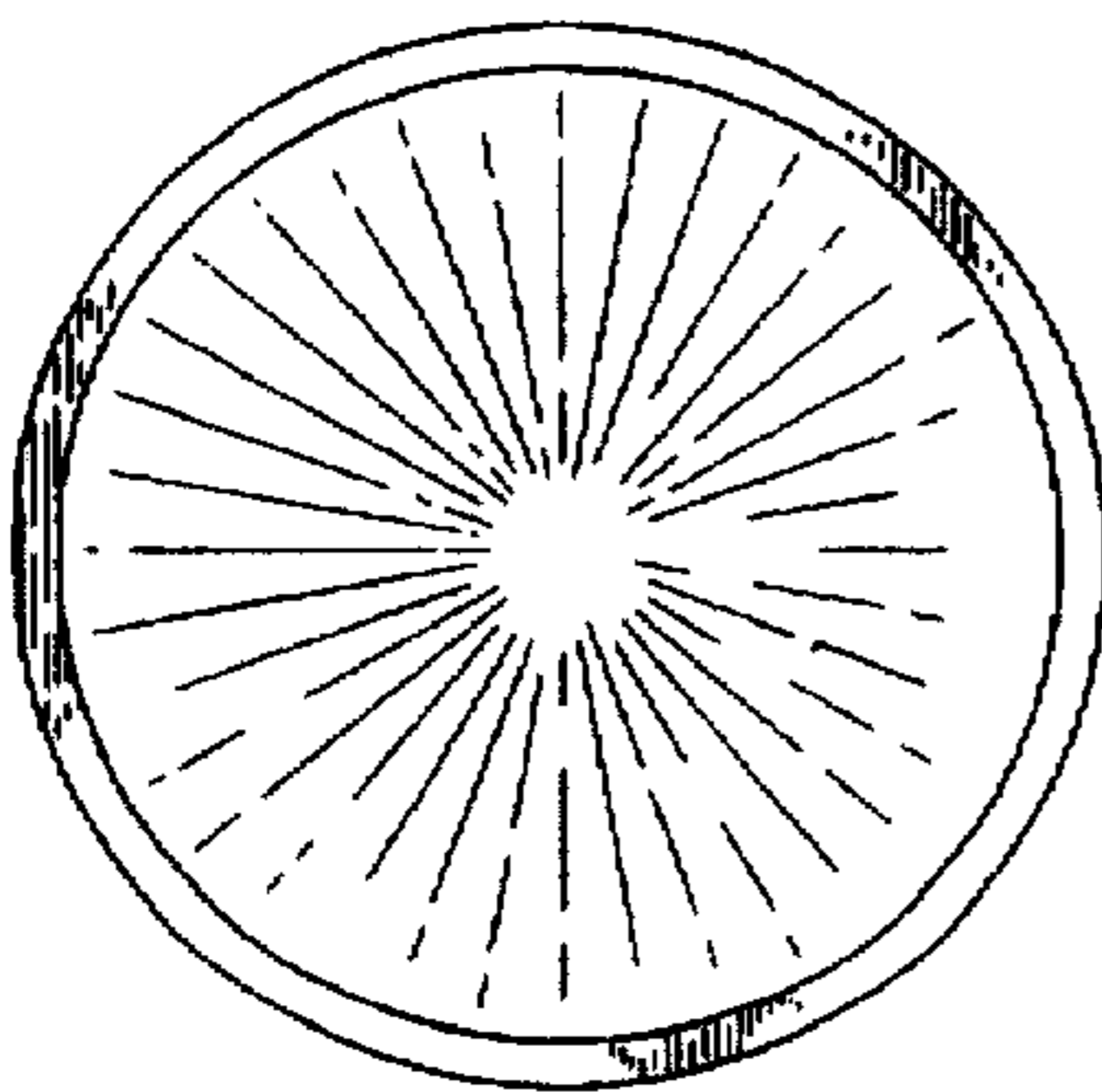
*Fig.3.*



*Fig.4.*



*Fig.6.*



*Fig.5.*

