

US00D393097S

United States Patent [19]
Cochran

[11] **Patent Number: Des. 393,097**
[45] **Date of Patent: ***Mar. 31, 1998**

[54] **MOUNTING PLATE FOR A LIGHTING STANCHION**

D. 353,911	12/1994	Gordin et al.	D26/138
D. 359,225	6/1995	Reed	D26/138
D. 369,433	4/1996	Cochran	D26/138
4,245,807	1/1981	York	248/310

[75] **Inventor: Robert C. Cochran, Stanford, Ky.**

[73] **Assignee: Ricky C. Cochran, Stanford, Ky.**

[*] **Notice:** The portion of the term of this patent subsequent to Apr. 30, 2010, has been disclaimed.

[**] **Term: 14 Years**

[21] **Appl. No.: 59,690**

[22] **Filed: Jun. 18, 1996**

[51] **LOC (6) Cl. 26-99**

[52] **U.S. Cl. D26/138**

[58] **Field of Search** D8/349, 354; D26/138; 362/296, 399; 248/214, 205.1, 218.4, 300

[56] **References Cited**

U.S. PATENT DOCUMENTS

D. 176,703 1/1956 Snively 248/300 X

Primary Examiner—Holly Baynham
Attorney, Agent, or Firm—King & Schickli

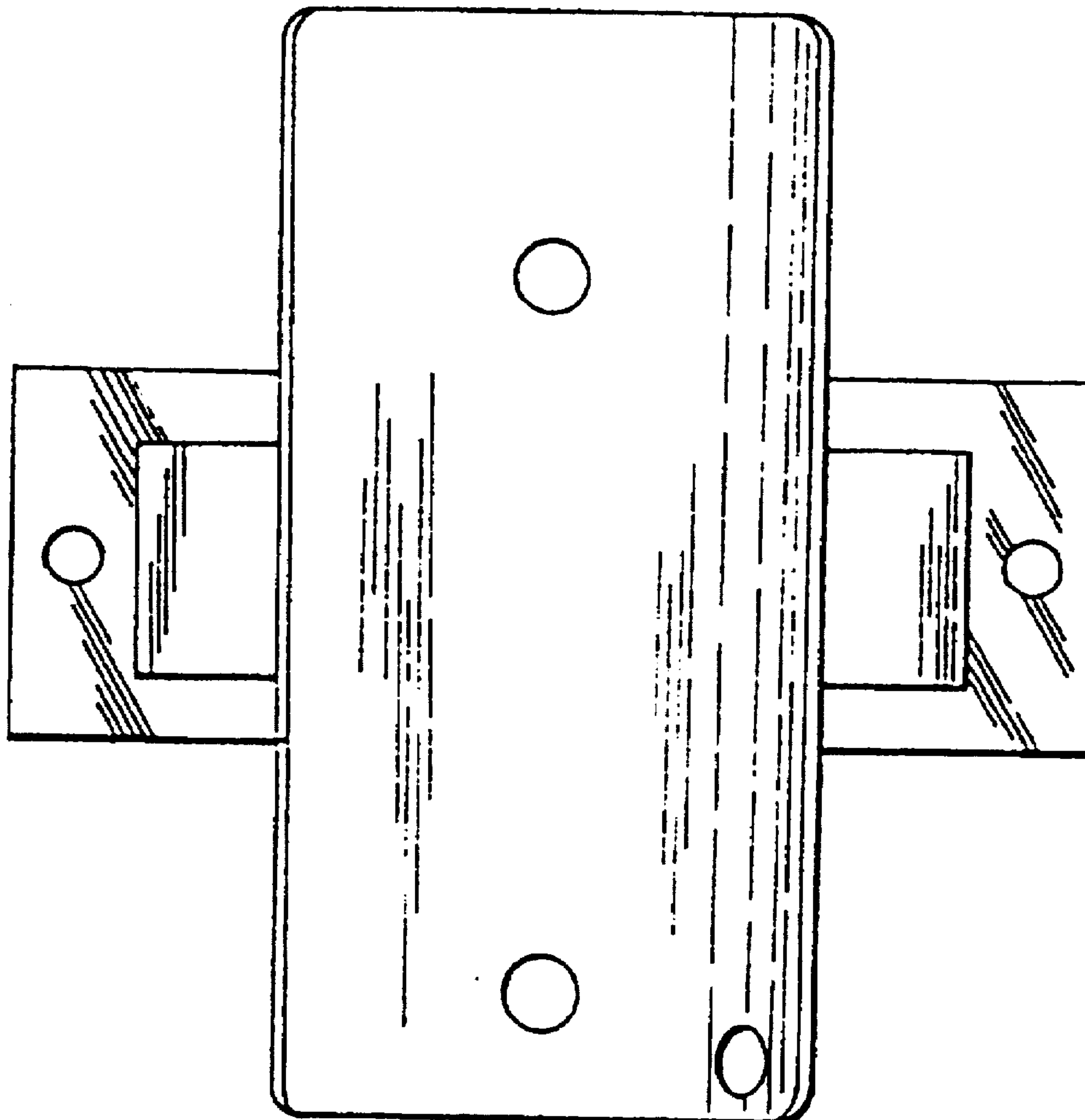
[57] **CLAIM**

The ornamental design for mounting plate for a lighting stanchion, as shown.

DESCRIPTION

FIG. 1 is a front elevational view of the mounting plate for a lighting stanchion of the present invention;
FIG. 2 is a rear elevational view thereof;
FIG. 3 is a left side elevational view thereof;
FIG. 4 is a right side elevational view thereof; and,
FIG. 5 is a top plan view, the bottom plan view being a mirror image thereof.

1 Claim, 1 Drawing Sheet



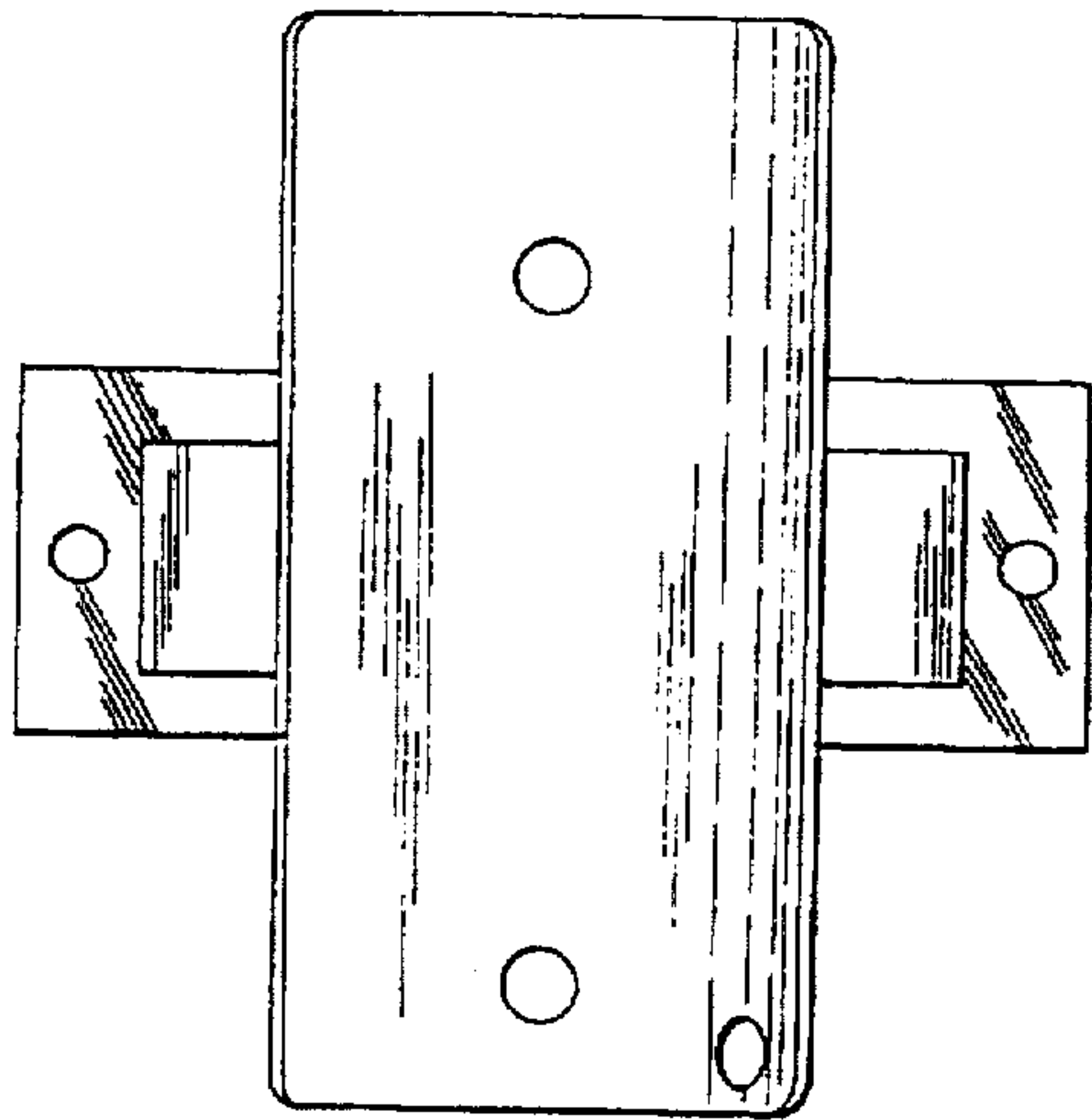


Fig. 1

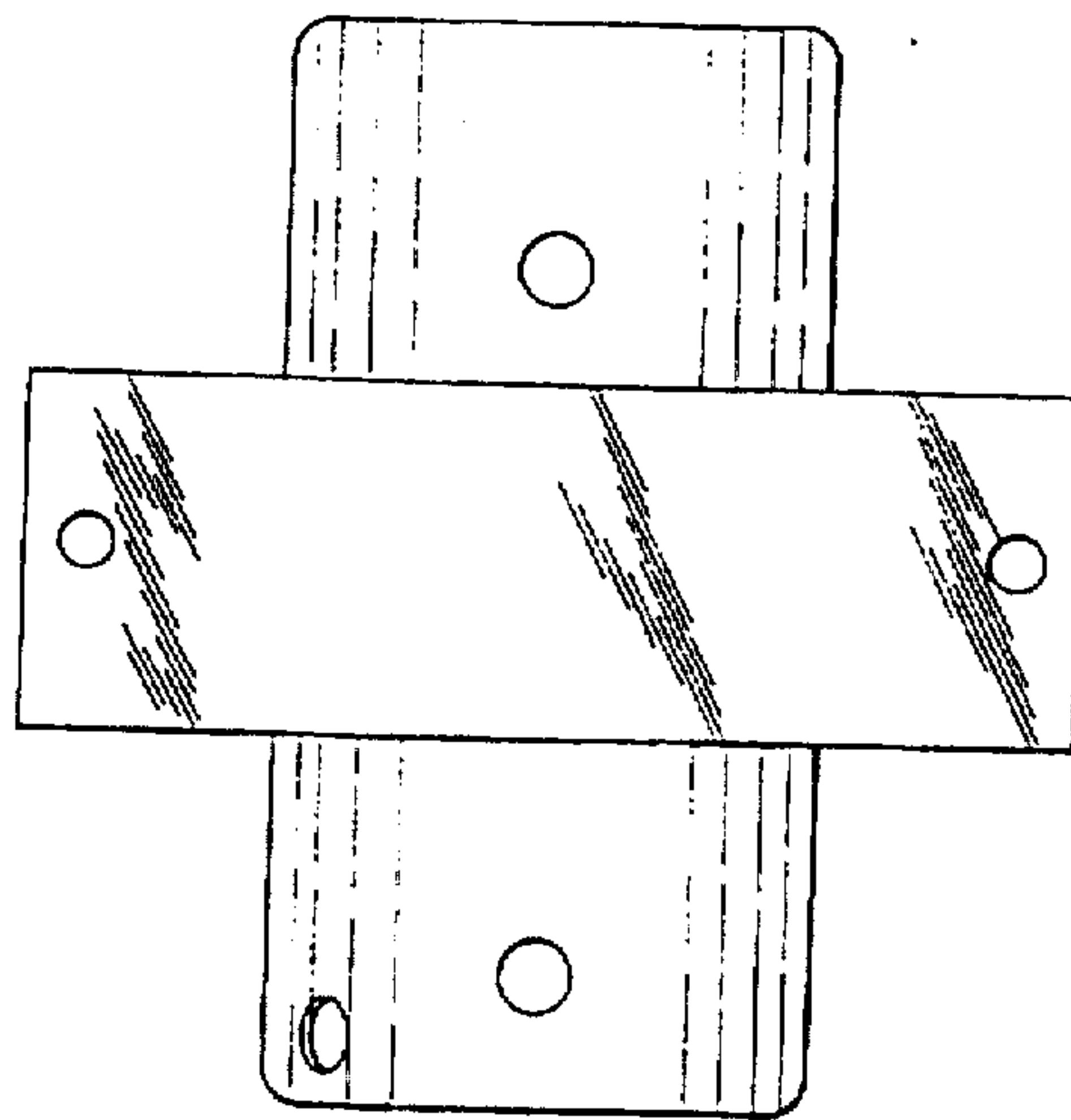


Fig. 2

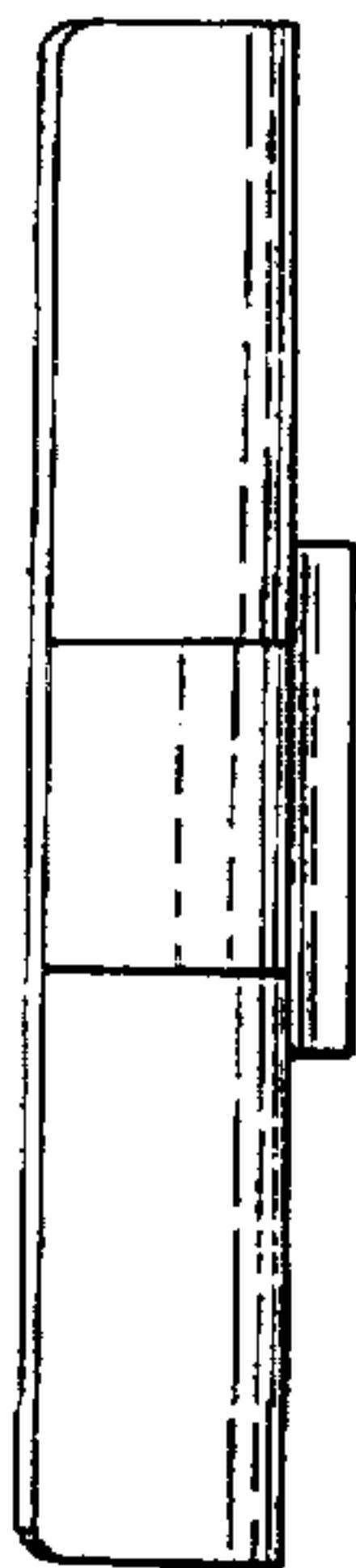


Fig. 3



Fig. 5



Fig. 4