



US00D393096S

United States Patent [19]

Duenkelsbuehler et al.

[11] Patent Number: Des. 393,096

[45] Date of Patent: **Mar. 31, 1998

[54] CURVED STEM-EXPOSED CORD LAMP

[76] Inventors: **Benno L. Duenkelsbuehler**, 1818 Broadway #301, San Francisco, Calif. 94102; **Sandra N. Stangl**, 529 Easterby St., Sausalito, Calif. 94965

[**] Term: 14 Years

[21] Appl. No.: 72,529

[22] Filed: Jun. 19, 1997

[51] LOC (6) Cl. 26-05

[52] U.S. Cl. D26/106

[58] Field of Search D26/93, 102-112; 362/410-414

[56] References Cited

PUBLICATIONS

Illuminotechnica lighting magazine, p. 21, floor lamp with exposed cord, Apr. 1987.

Taiwan Lighting magazine, p. 179, floor lamp with curving standard, Feb. 1996.

Primary Examiner—Susan J. Lucas

Attorney, Agent, or Firm—Janis Biksa; Owen, Wickersham & Erickson, P.C.

[57] CLAIM

The ornamental design for a curved stem-exposed cord lamp, as shown and described.

DESCRIPTION

FIG. 1 is a perspective view of a first embodiment of the design according to the invention;

FIG. 2 is a front elevation view of the design of FIG. 1;

FIG. 3 is a right side view of the design of FIG. 1, the left side view being a mirror image thereof;

FIG. 4 is a back view of the design of FIG. 1;

FIG. 5 is a top view of the design of FIG. 1;

FIG. 6 is a bottom view of the design of FIG. 1;

FIG. 7 is a close-up view of portions of FIG. 1 viewed as shown by dashed lines 7—7;

FIG. 8 is a perspective view of a second embodiment of the design according to the invention;

FIG. 9 is a front elevation view of the design of FIG. 8;

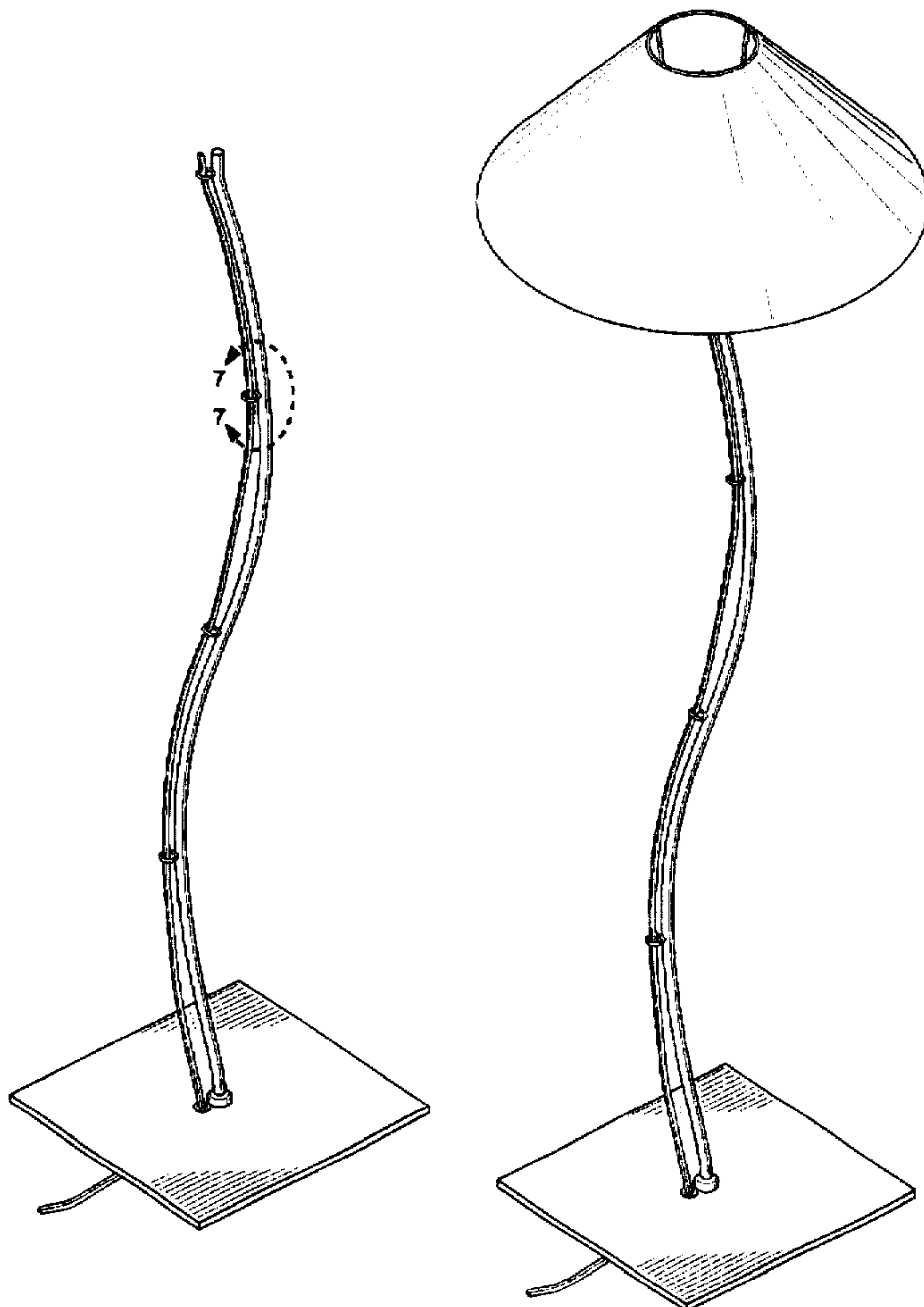
FIG. 10 is a right side view of the design of FIG. 8; the left side view being a mirror image thereof;

FIG. 11 is a back view of the design FIG. 8;

FIG. 12 is a top view of the design of FIG. 8; and,

FIG. 13 is a bottom view of the design of FIG. 8.

1 Claim, 8 Drawing Sheets



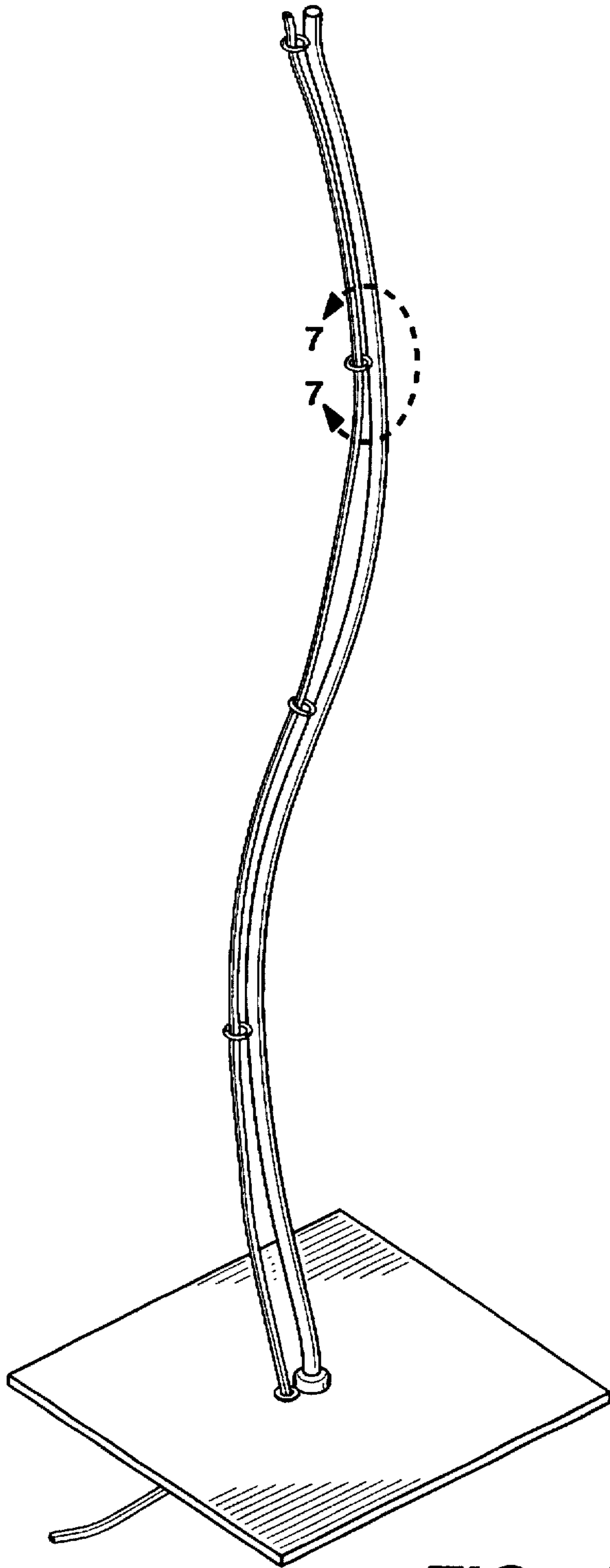


FIG._1

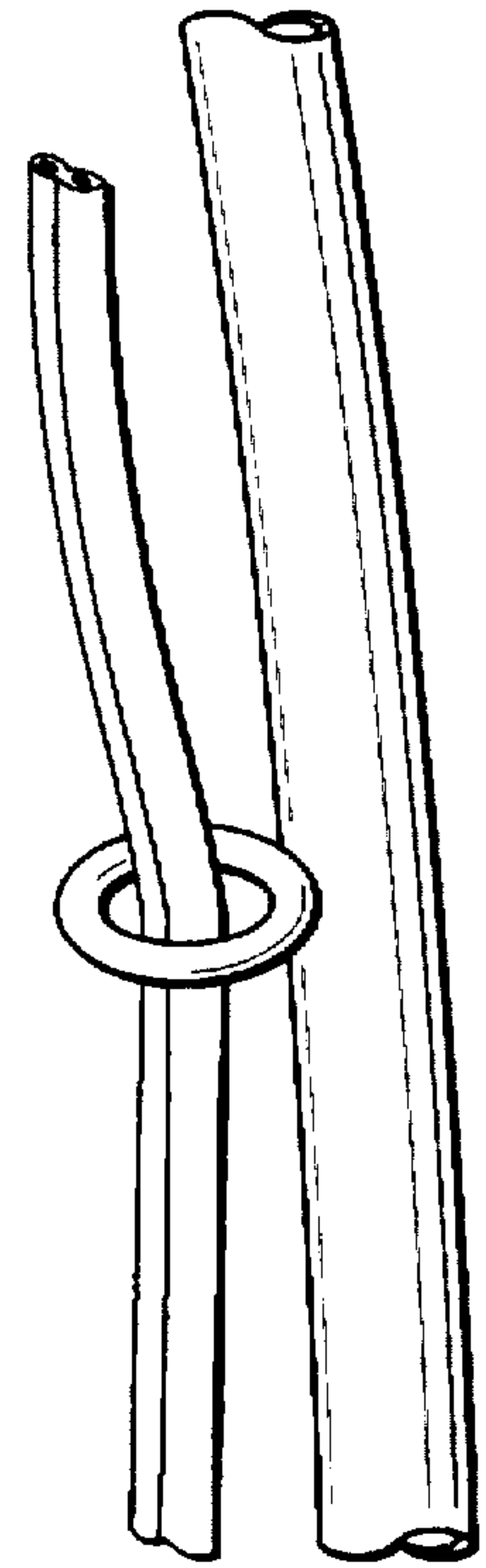


FIG._7

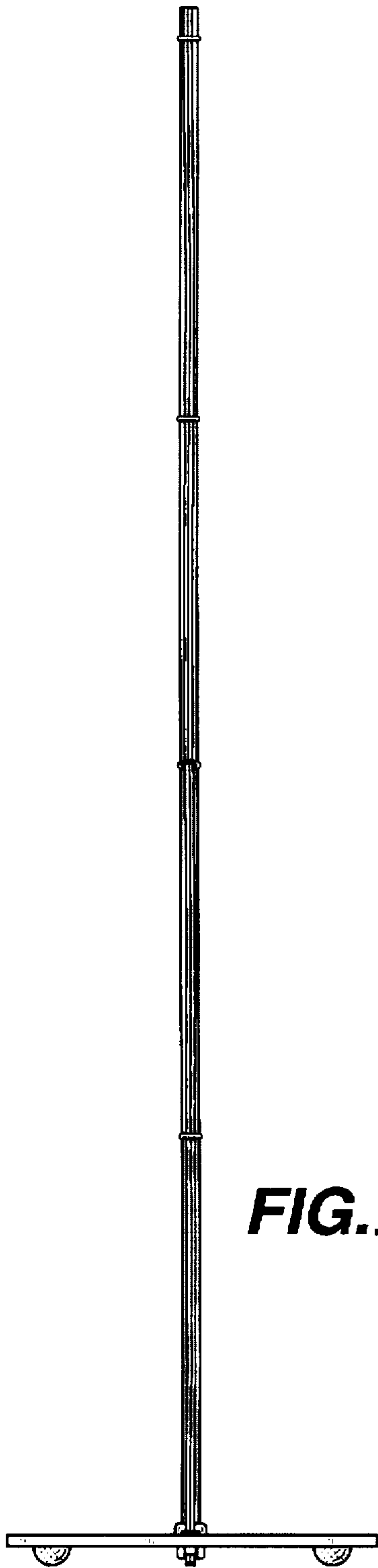


FIG. 2

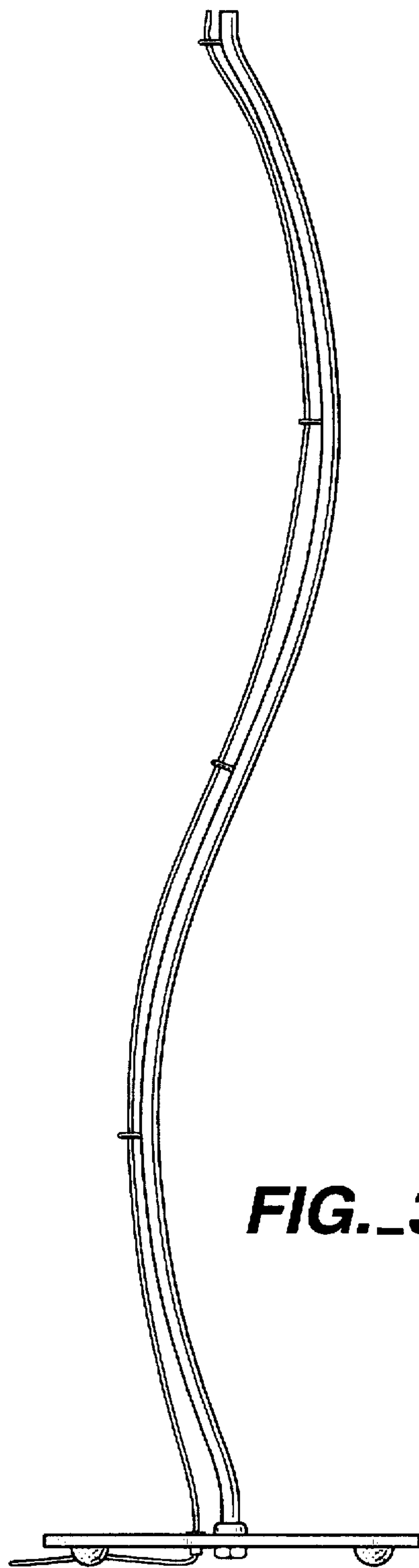


FIG. 3

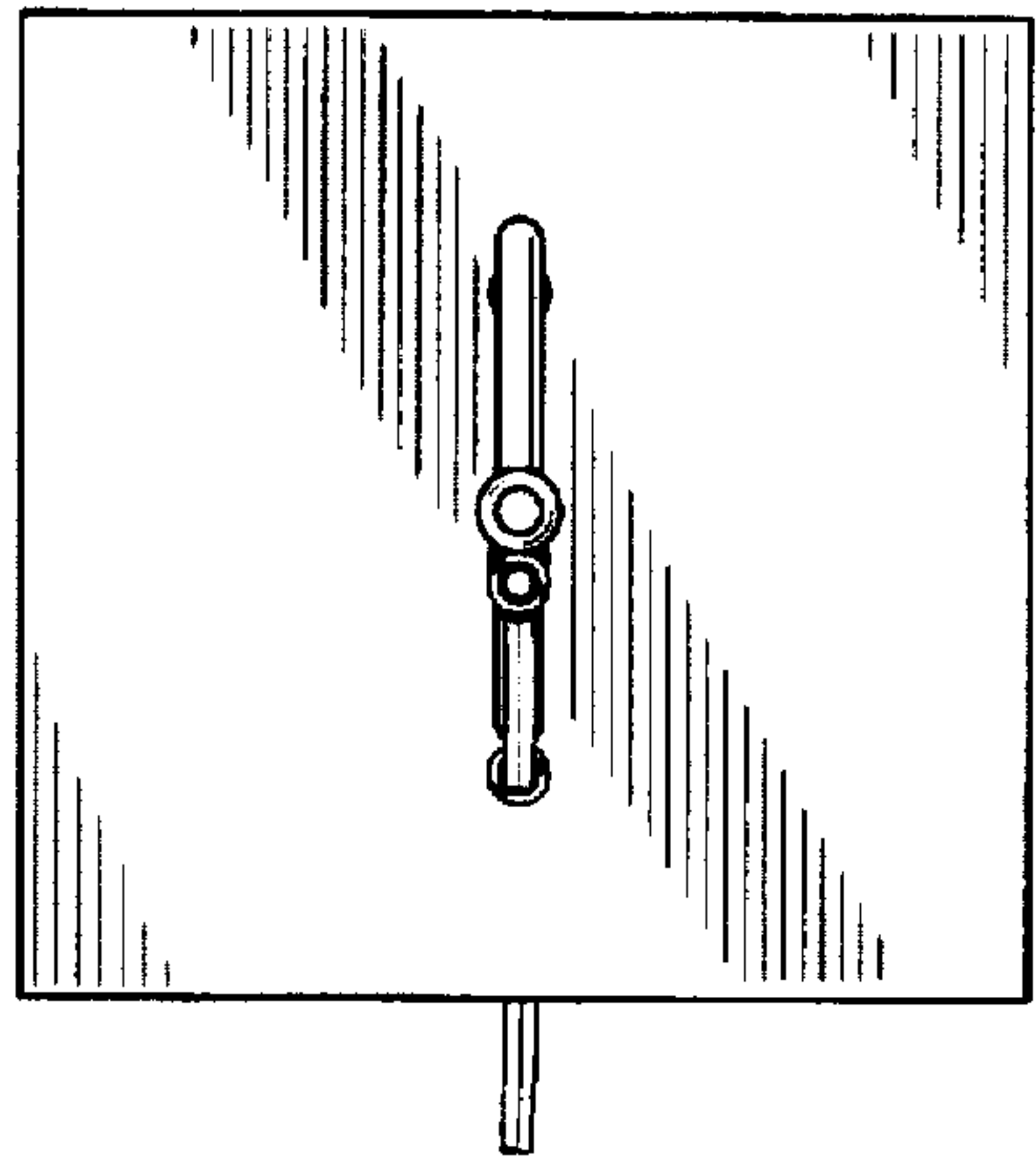
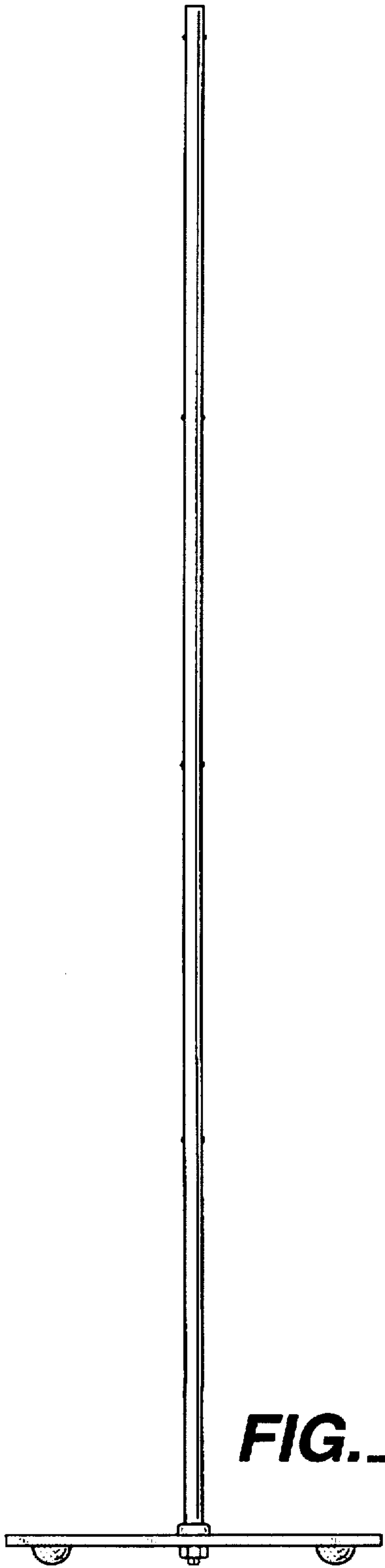


FIG._5

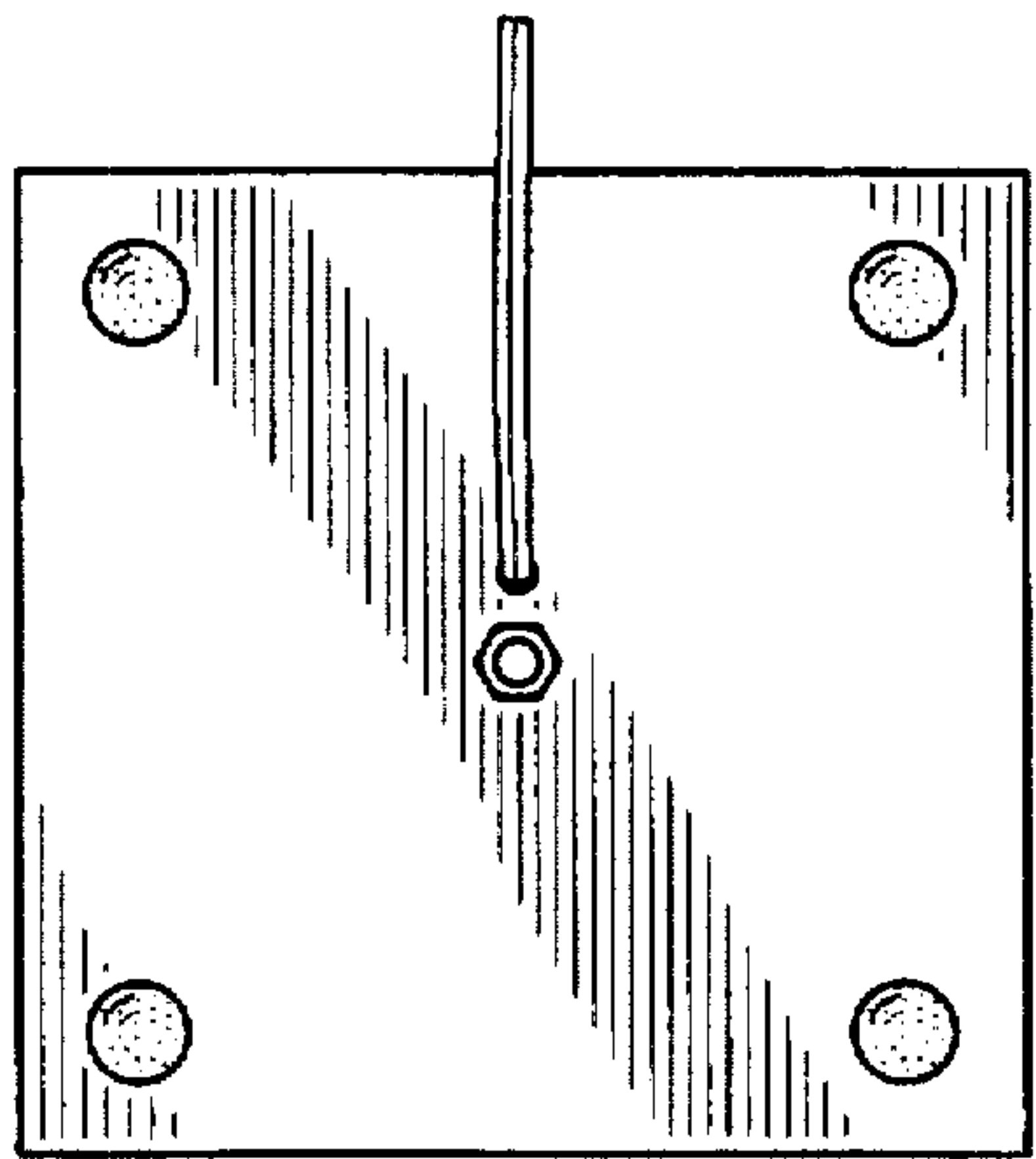


FIG._6

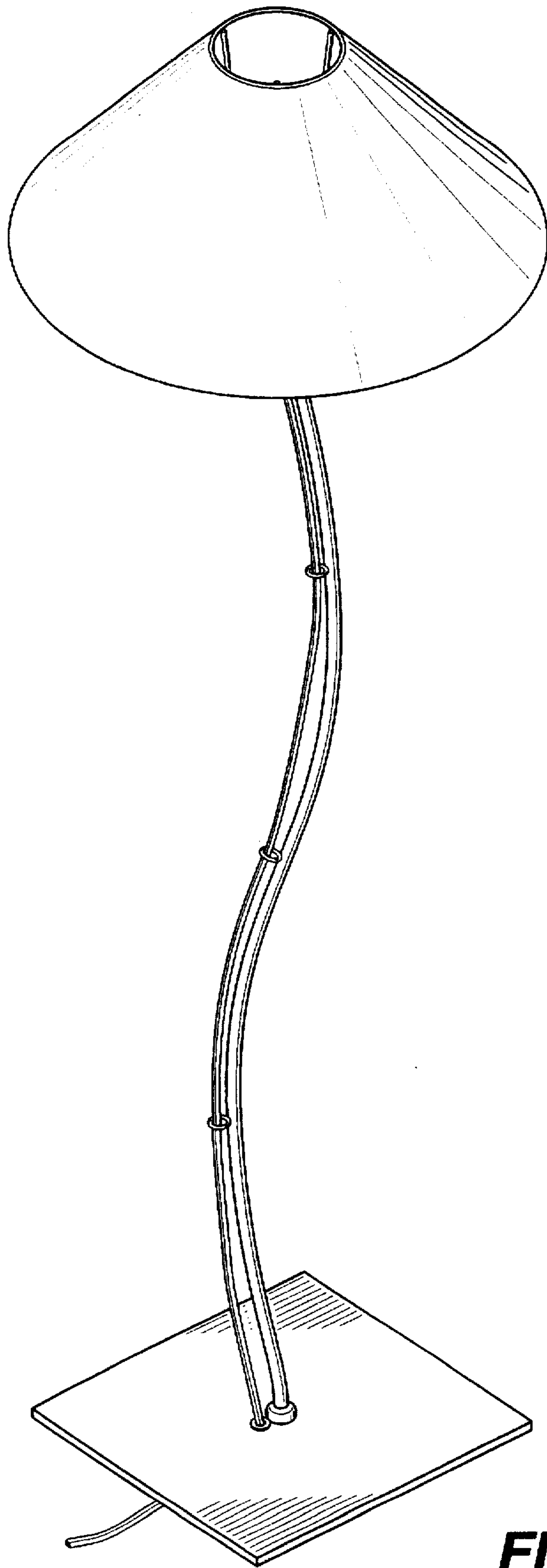


FIG._8

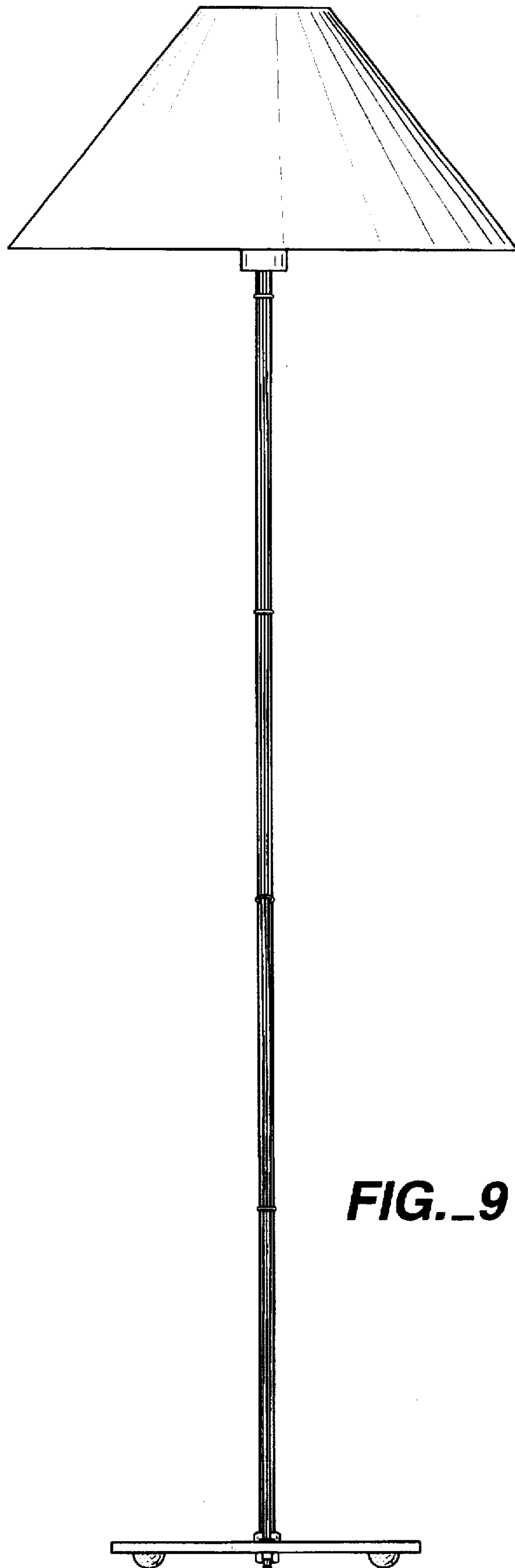


FIG. 9

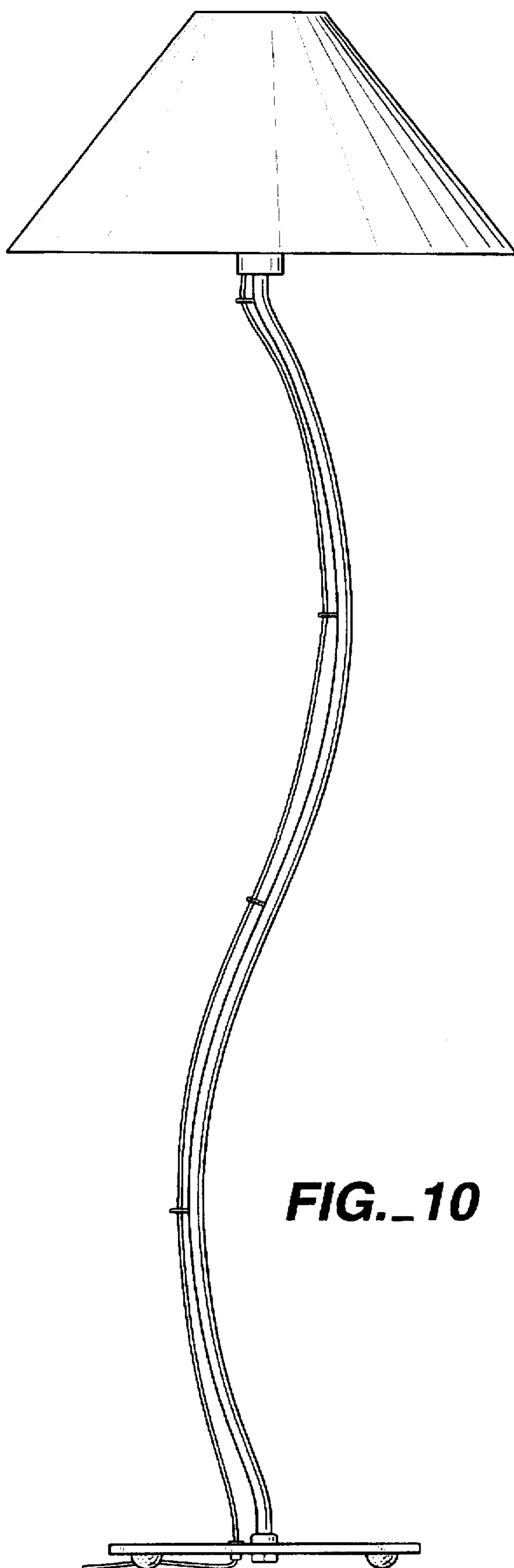


FIG. 10

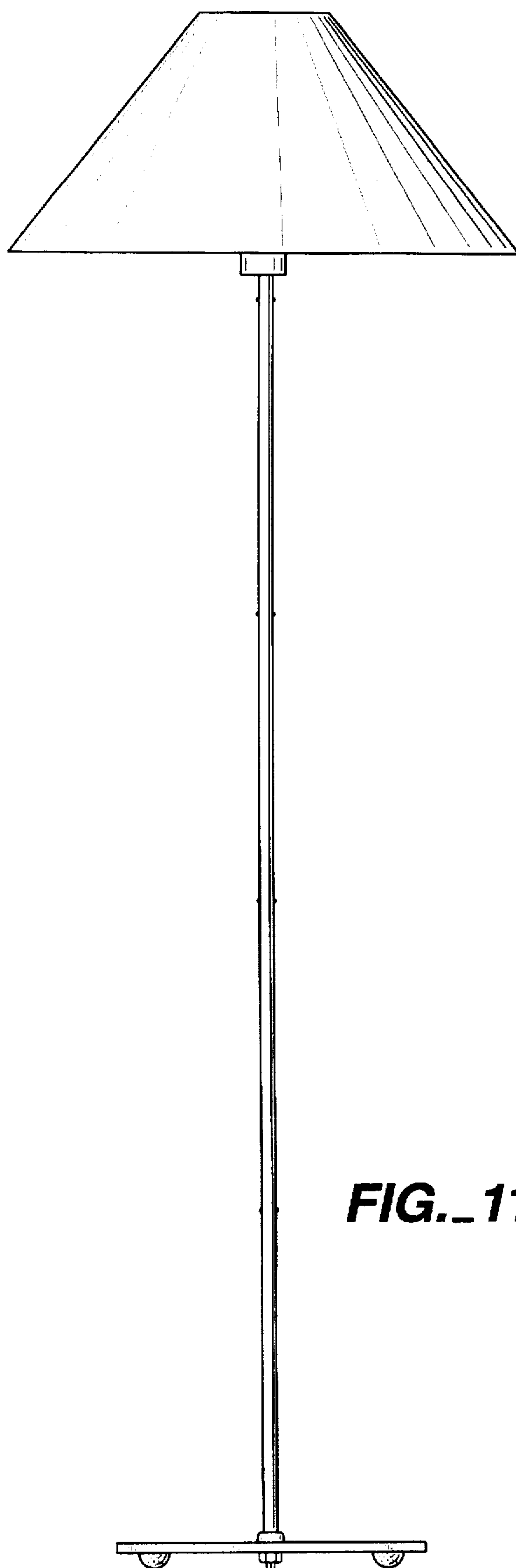


FIG. 11

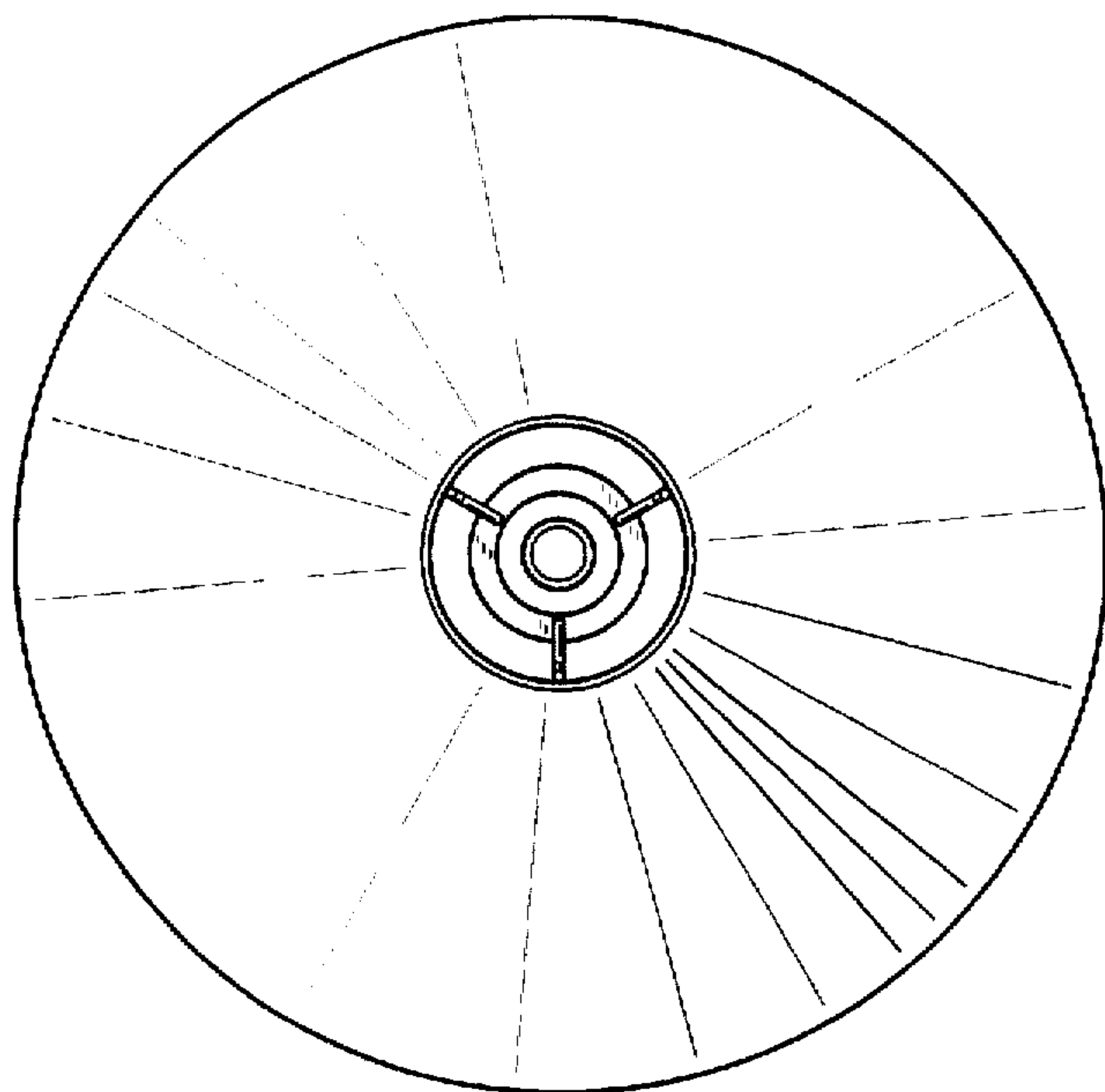


FIG. 12

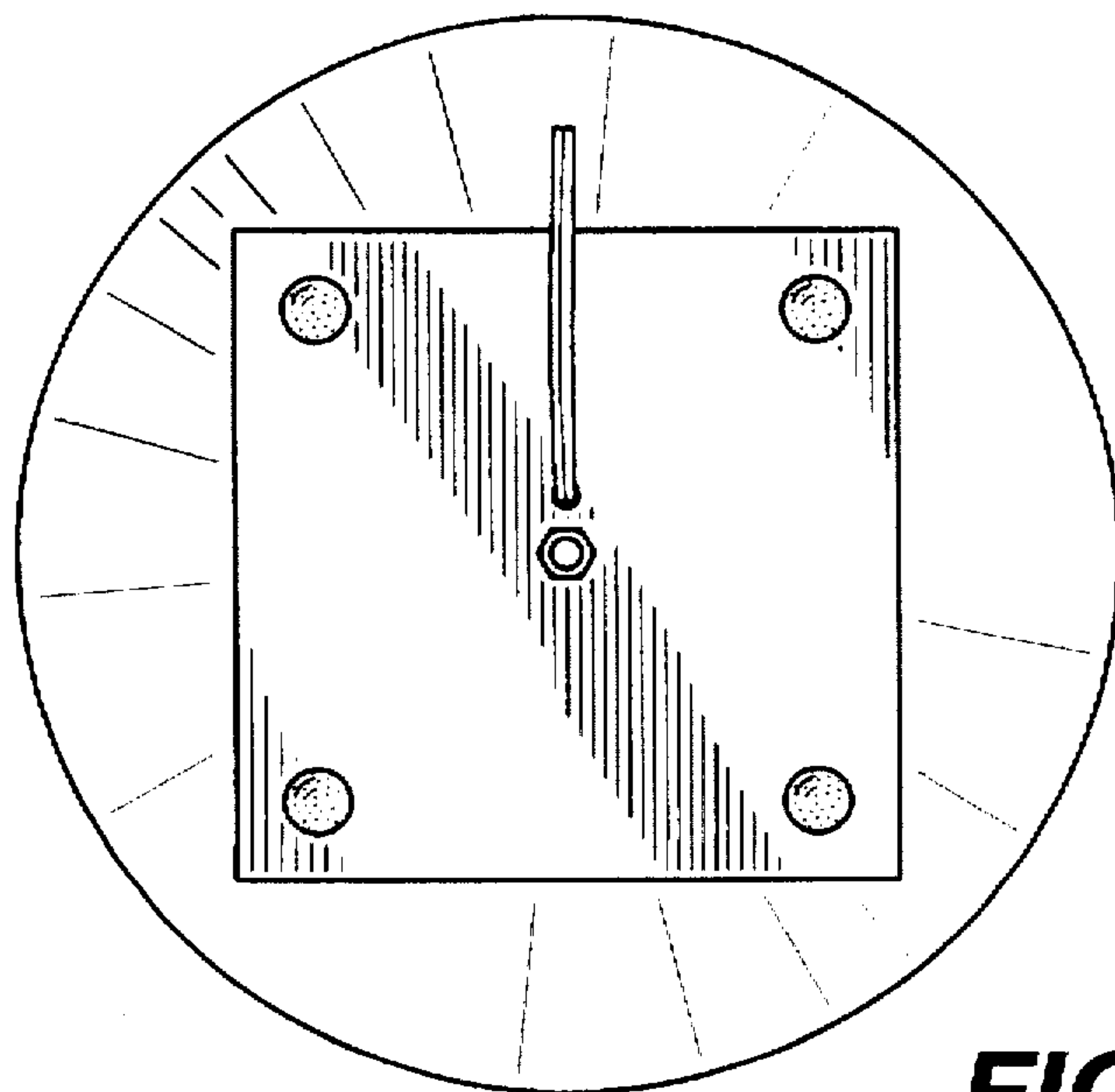


FIG. 13