



US00D393090S

United States Patent [19]

Giese et al.

[11] Patent Number: Des. 393,090

[45] Date of Patent: **Mar. 31, 1998

[54] **OUTDOOR ELECTRICAL LIGHTING
FIXTURE**

[75] Inventors: **Robert D. Giese, Kenosha, Wis.; John
F. Denison, Lake Villa, Ill.**

[73] Assignee: **Intermatic Incorporated, Spring
Grove, Ill.**

[**] Term: **14 Years**

[21] Appl. No.: **66,446**

[22] Filed: **Feb. 11, 1997**

[51] LOC (6) Cl. **26-05**

[52] U.S. Cl. **D26/68; D26/107**

[58] Field of Search **D26/67-71, 107,
D26/108; 362/153, 153.1, 410, 413, 414,
431**

[56] **References Cited**

PUBLICATIONS

Bright Lighting Co. catalog, p. 80, exterior lamp, C-5001,
Jan. 1995.

Home Lighting and Accessories, p. 33, Rockscapes decora-
tive path lights, 1991.

Primary Examiner—Susan J. Lucas
Attorney, Agent, or Firm—Brinks Hofer Gilson & Lione

[57] **CLAIM**

The ornamental design for an outdoor electrical lighting
fixture, as shown and described.

DESCRIPTION

FIG. 1 is a perspective view of an outdoor electrical lighting
fixture showing our new design;

FIG. 2 is a side view thereof;

FIG. 3 is a front view thereof;

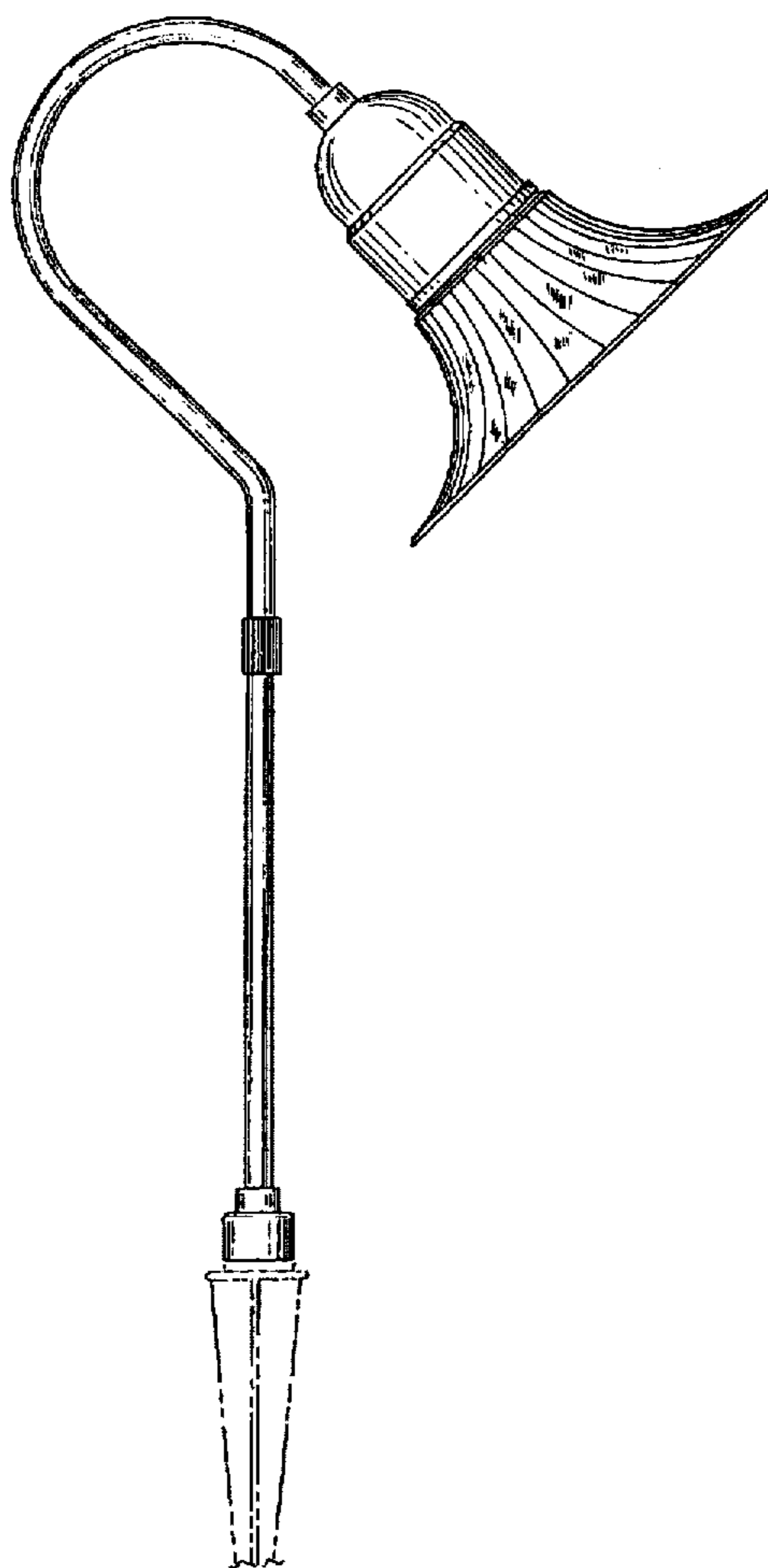
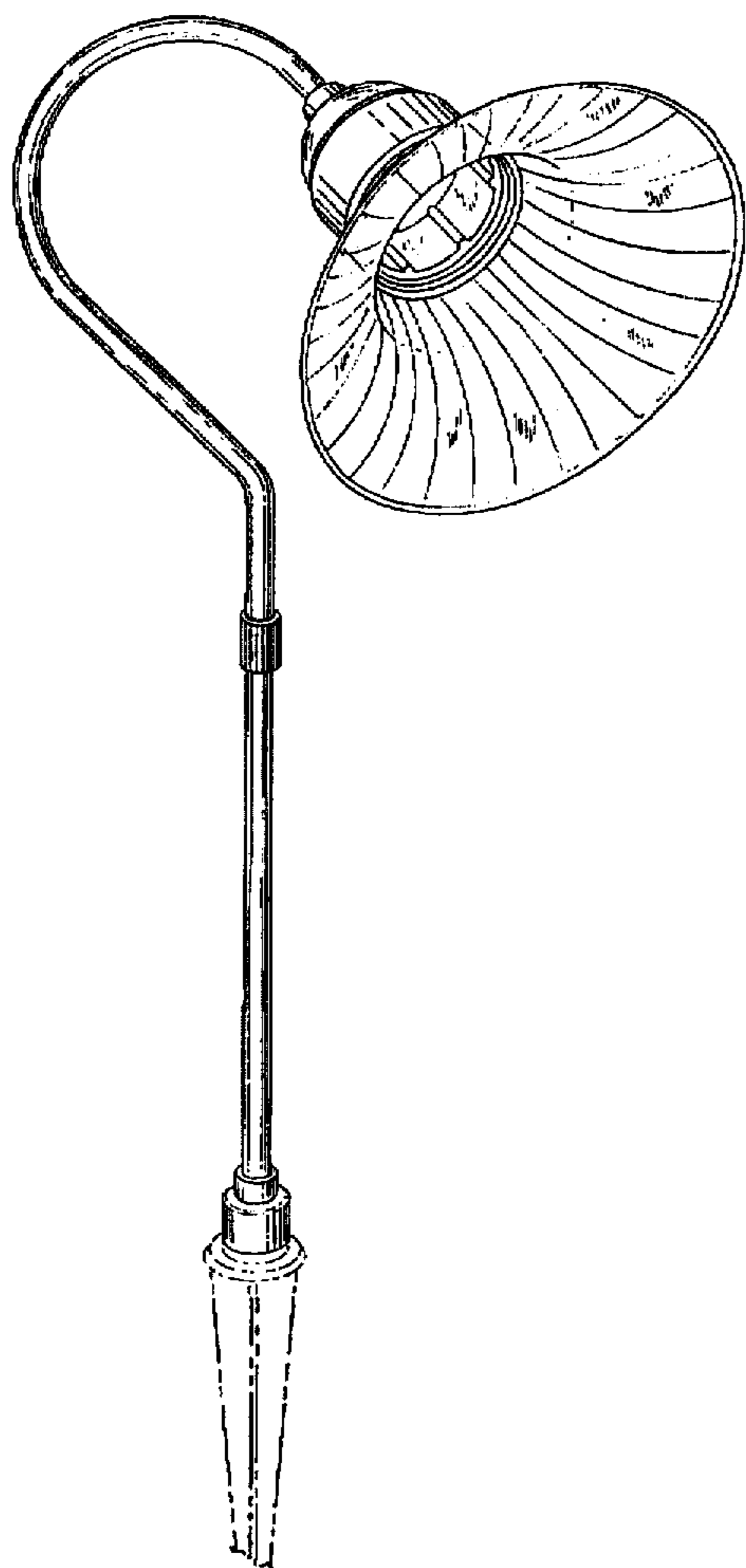
FIG. 4 is a back view thereof;

FIG. 5 is a top view thereof; and,

FIG. 6 is a bottom view thereof.

The broken lines are shown for illustrative purposes only
and form no part of the claimed design.

1 Claim, 4 Drawing Sheets



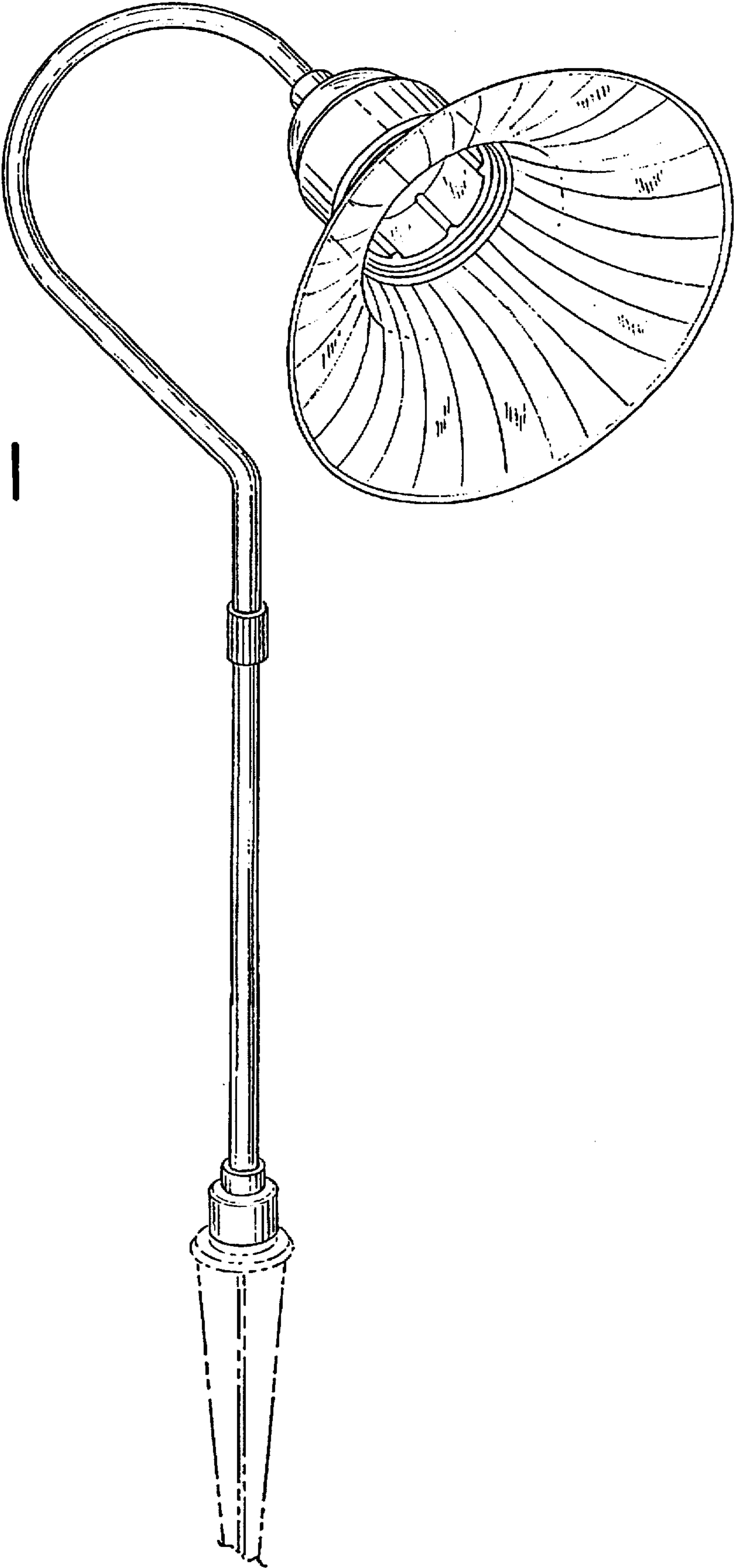


FIG. 1

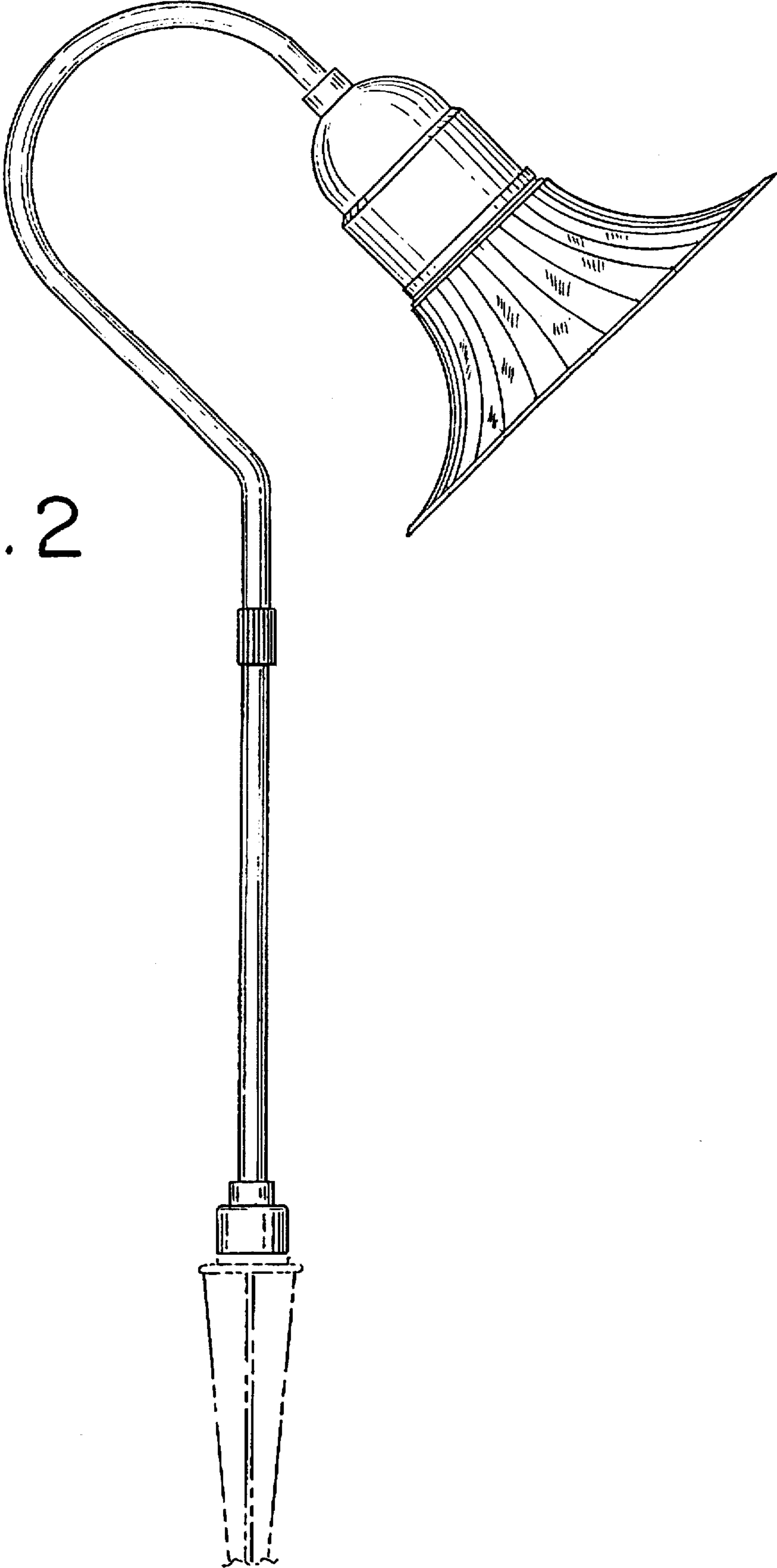


FIG. 2

FIG. 3

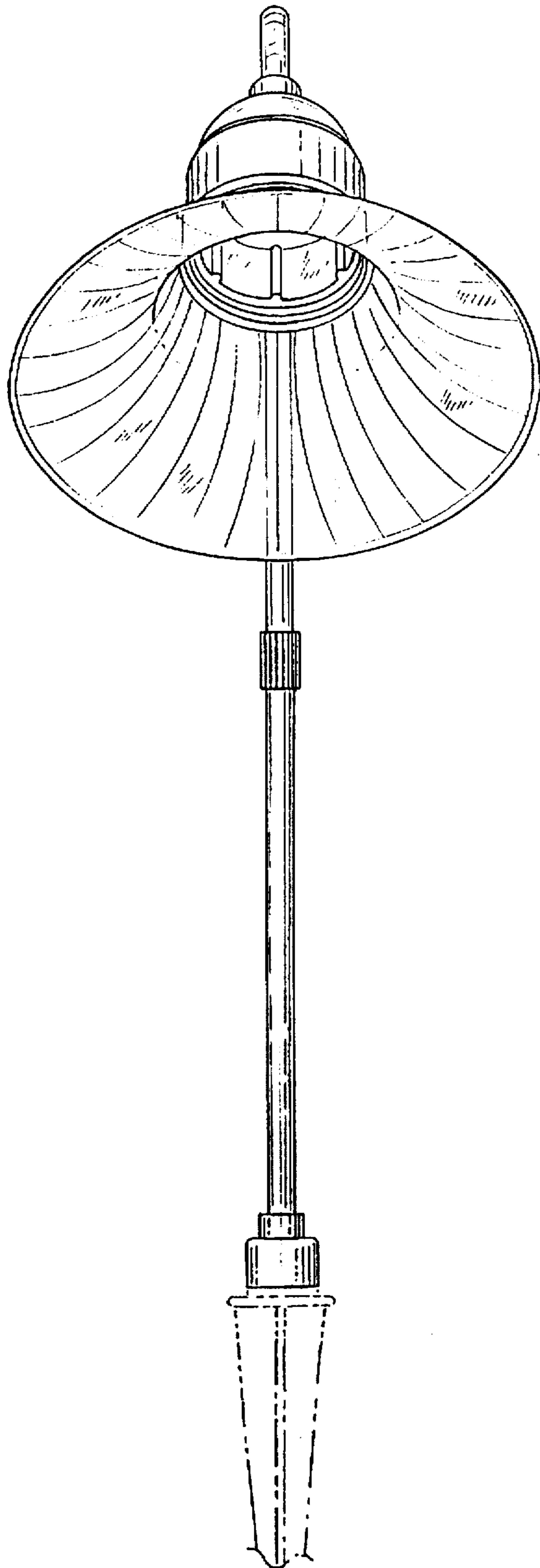


FIG. 4

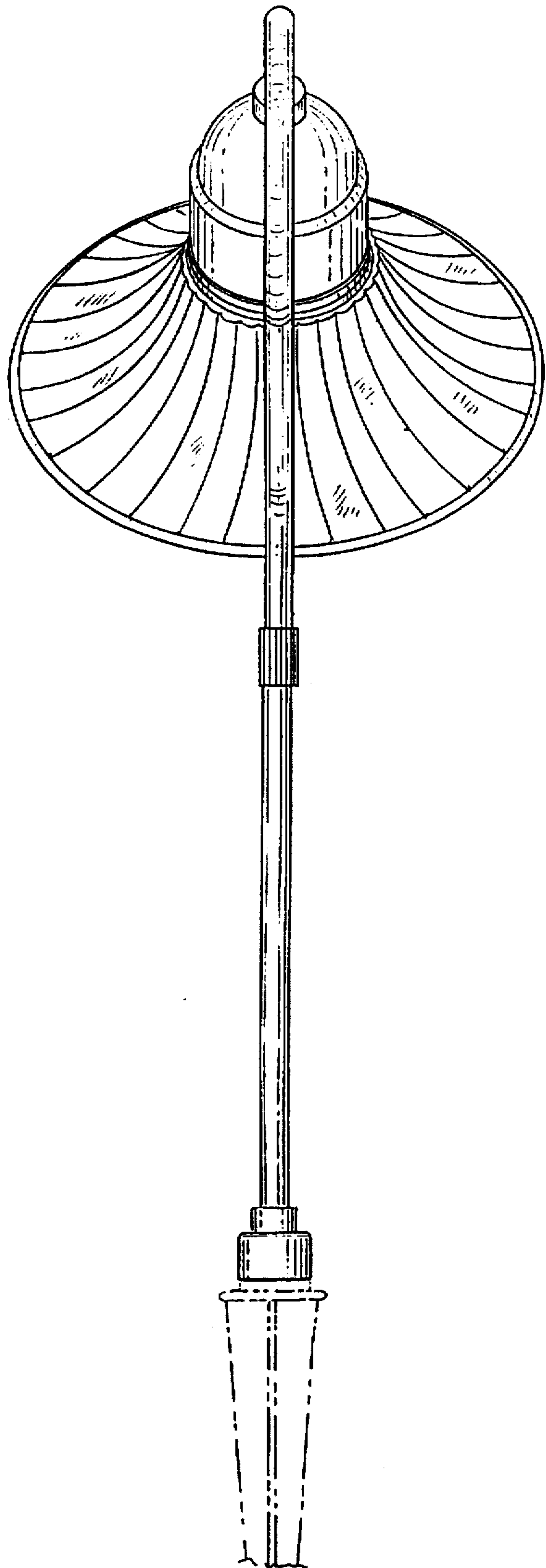


FIG. 5

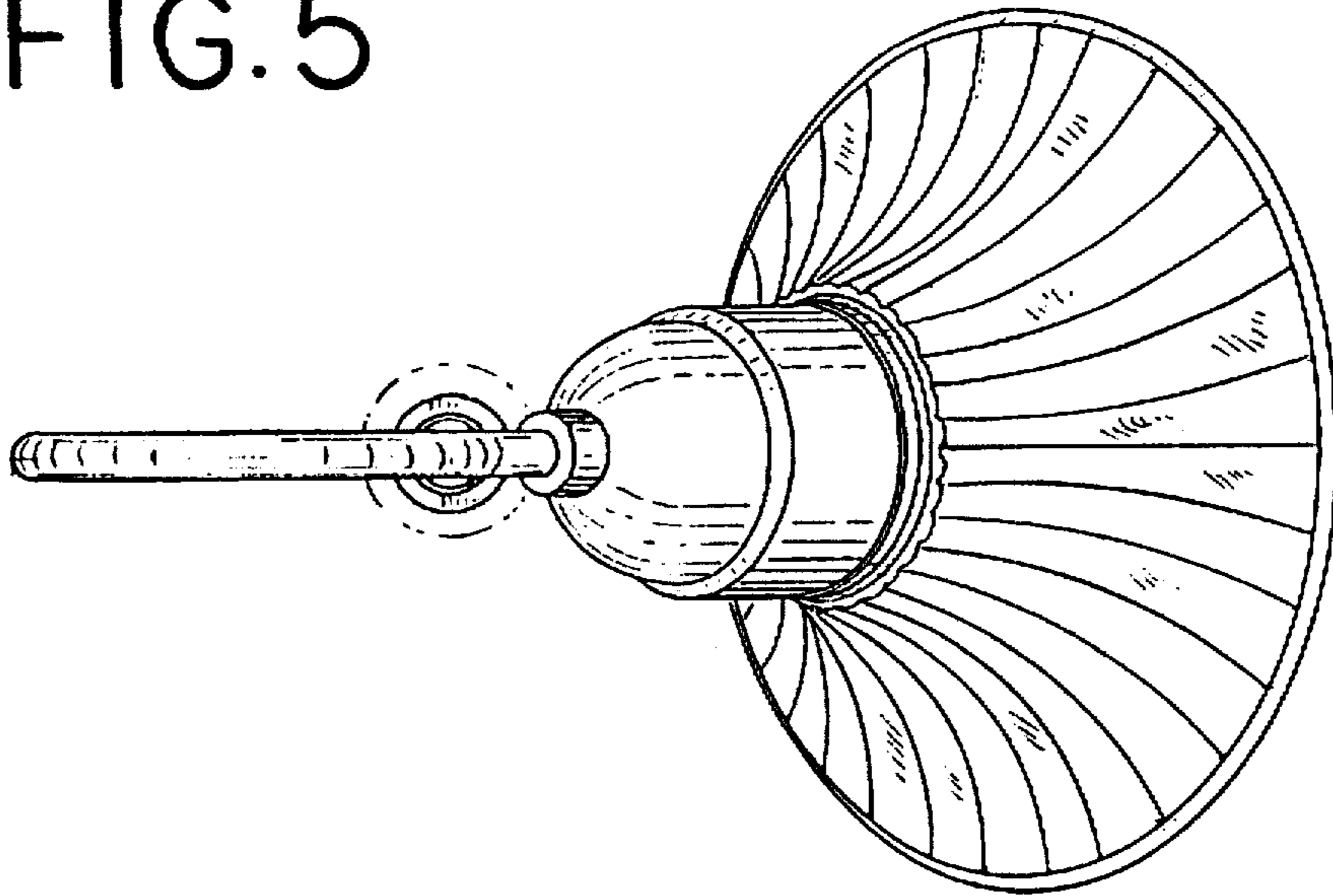
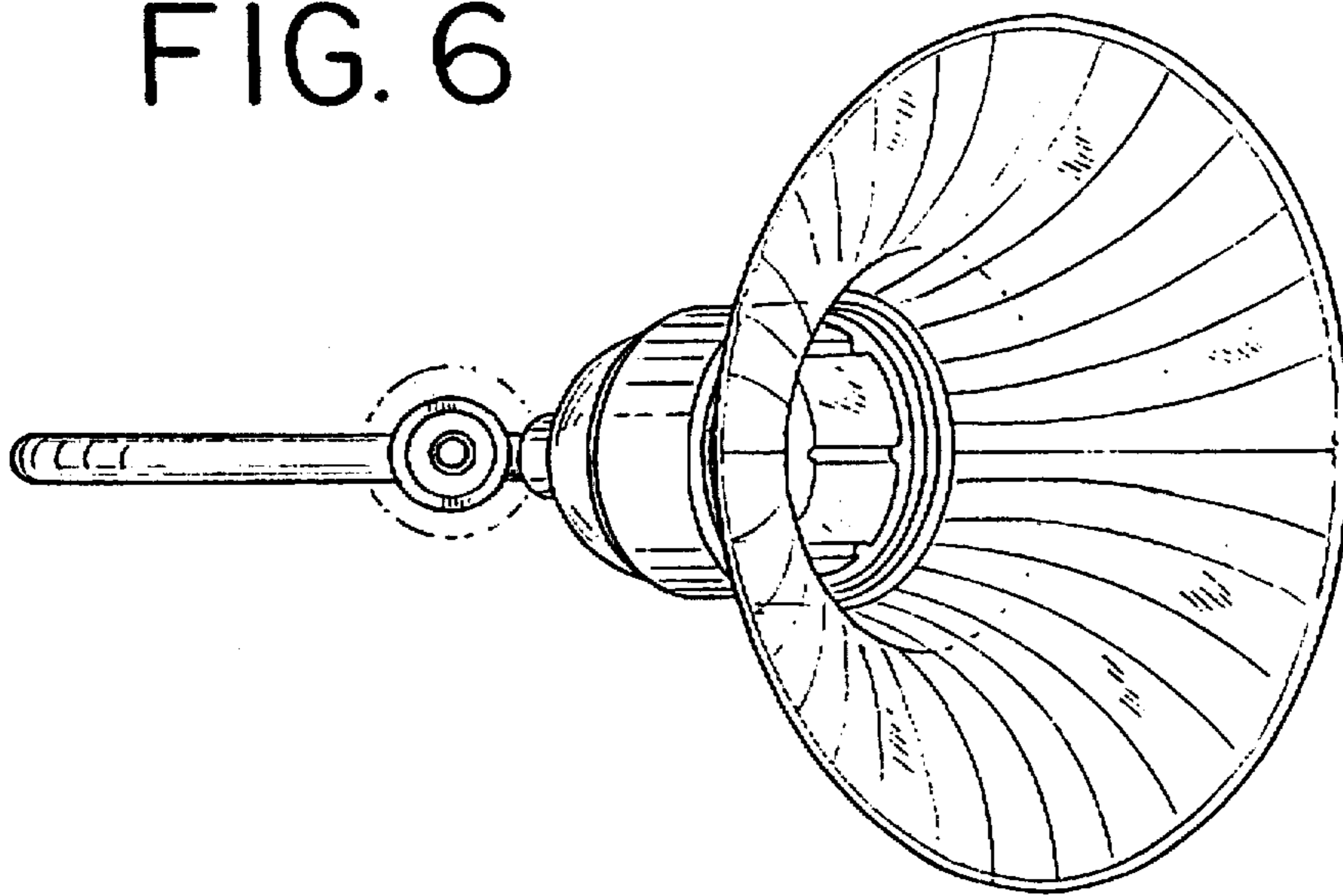


FIG. 6



UNITED STATES PATENT AND TRADEMARK OFFICE
CERTIFICATE OF CORRECTION

PATENT NO. : Des. 393,090
DATED : March 31, 1998
INVENTOR(S) : Robert D. Giese et al.

It is certified that error appears in the above-identified patent and that said Letters Patent is hereby corrected as shown below:

On the Title Page

In column 1, item [75], change "Wis." to --Ill.--.

In column 1, line 1, under "PUBLICATIONS", after "C-5001," insert --Group 2900, ceiling lampbox--.

In column 1, line 4, under "PUBLICATIONS", after "lights," insert --Group 2900, library--.

Signed and Sealed this
Twentieth Day of June, 2000

Attest:



Q. TODD DICKINSON

Attesting Officer

Director of Patents and Trademarks