



US00D393088S

United States Patent [19]
Yuen

[11] **Patent Number: Des. 393,088**
[45] **Date of Patent: **Mar. 31, 1998**

[54] **RECHARGEABLE LANTERN**

FOREIGN PATENT DOCUMENTS

[75] **Inventor: John Se-Kit Yuen, Kowloon, Hong Kong**

979455 11/1977 United Kingdom .
1046932 12/1987 United Kingdom .
2009654 9/1990 United Kingdom .
2012736 1/1991 United Kingdom .

[73] **Assignee: John Manufacturing Limited, Kowloon, Hong Kong**

Primary Examiner—Marcus A. Jackson
Attorney, Agent, or Firm—Fay, Sharpe, Beall, Fagan, Minnich & McKee

[**] **Term: 14 Years**

[21] **Appl. No.: 72,270**

[57] **CLAIM**

[22] **Filed: May 27, 1997**

The ornamental design for a rechargeable lantern, as shown and described.

[30] **Foreign Application Priority Data**

DESCRIPTION

Nov. 28, 1996 [GB] United Kingdom 2061254

[51] **LOC (6) Cl. 26-02**

[52] **U.S. Cl. D26/48**

[58] **Field of Search D26/37-50; 362/157, 362/158, 183-191, 194-208**

FIG. 1 is a top plan view of a rechargeable lantern showing my new design;
FIG. 2 is a front elevational view thereof;
FIG. 3 is an underneath plan view thereof;
FIG. 4 is a rear elevational view thereof;
FIG. 5 is a left side elevational view thereof;
FIG. 6 is a right side elevational view thereof;
FIG. 7 is a front elevational view showing the plug box rotated through 90° thereof; and,
FIG. 8 is a top plan view showing the handle rotated through 90°.

[56] **References Cited**

U.S. PATENT DOCUMENTS

D. 246,547 11/1977 Payne D26/48
D. 284,309 6/1986 Schosser et al. D26/48
D. 290,171 6/1987 Zam D26/48
D. 291,838 9/1987 Jung D26/48
D. 296,828 7/1988 Byrns D26/48

1 Claim, 3 Drawing Sheets

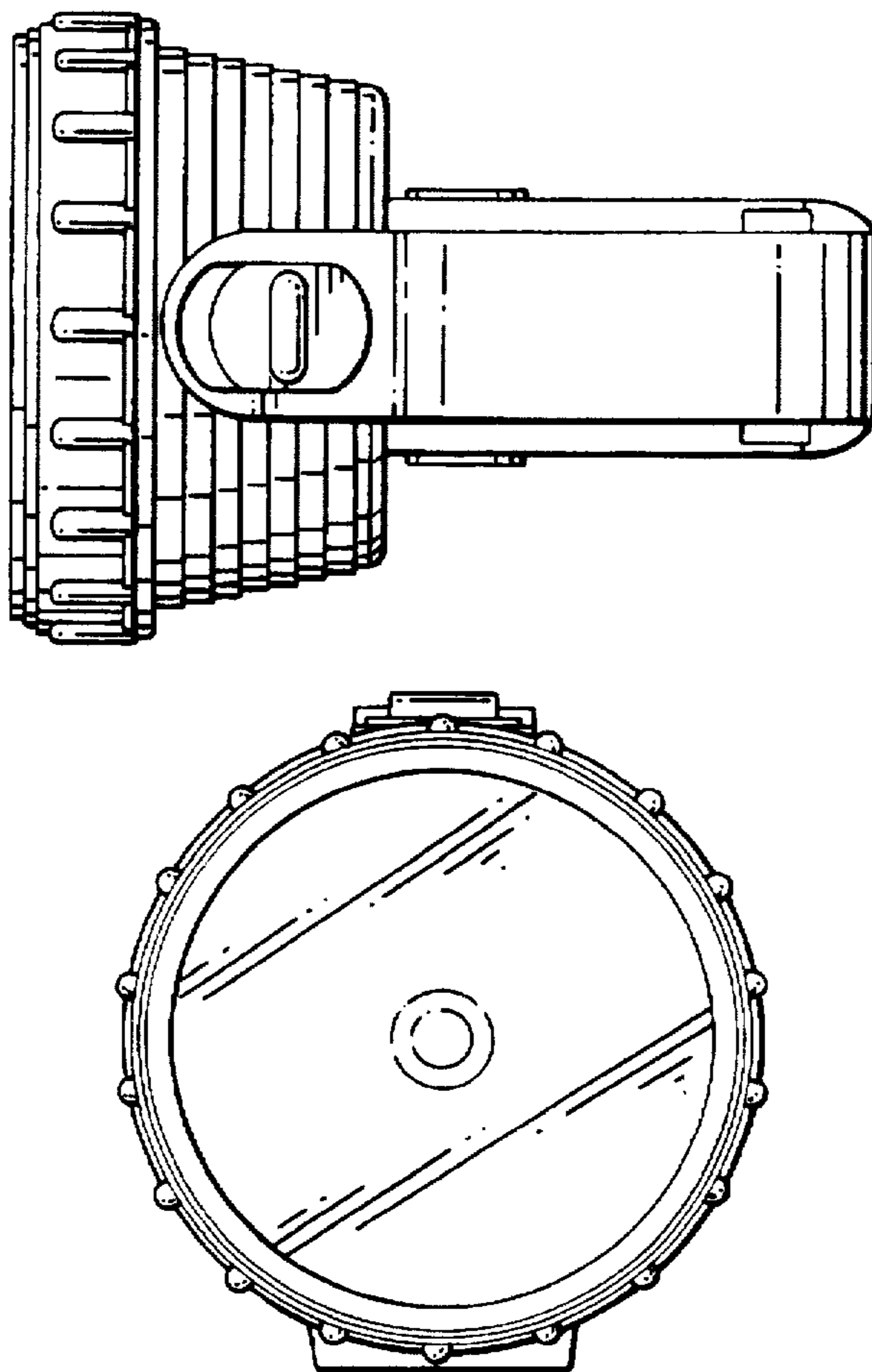


FIG. 1

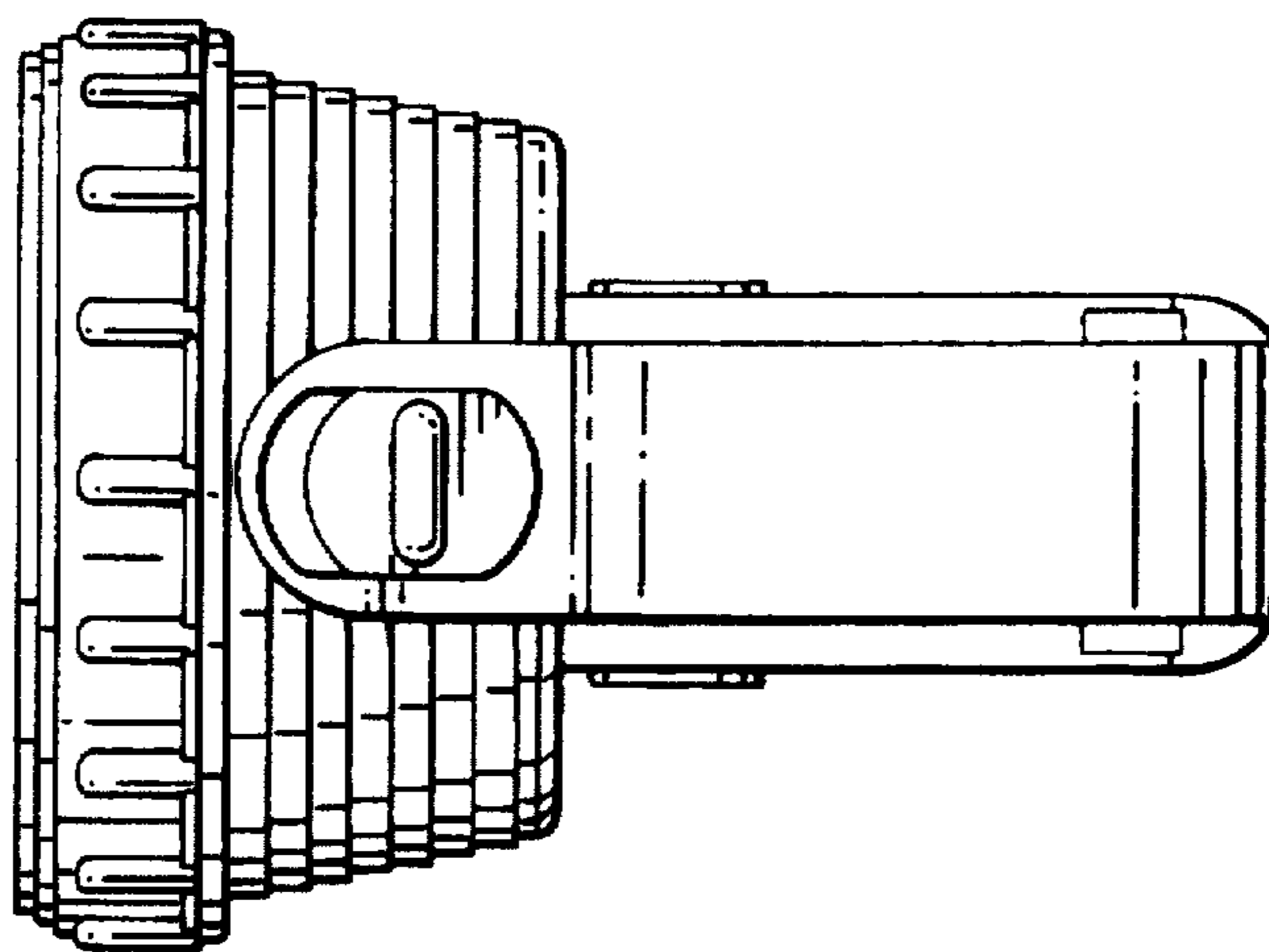


FIG. 2

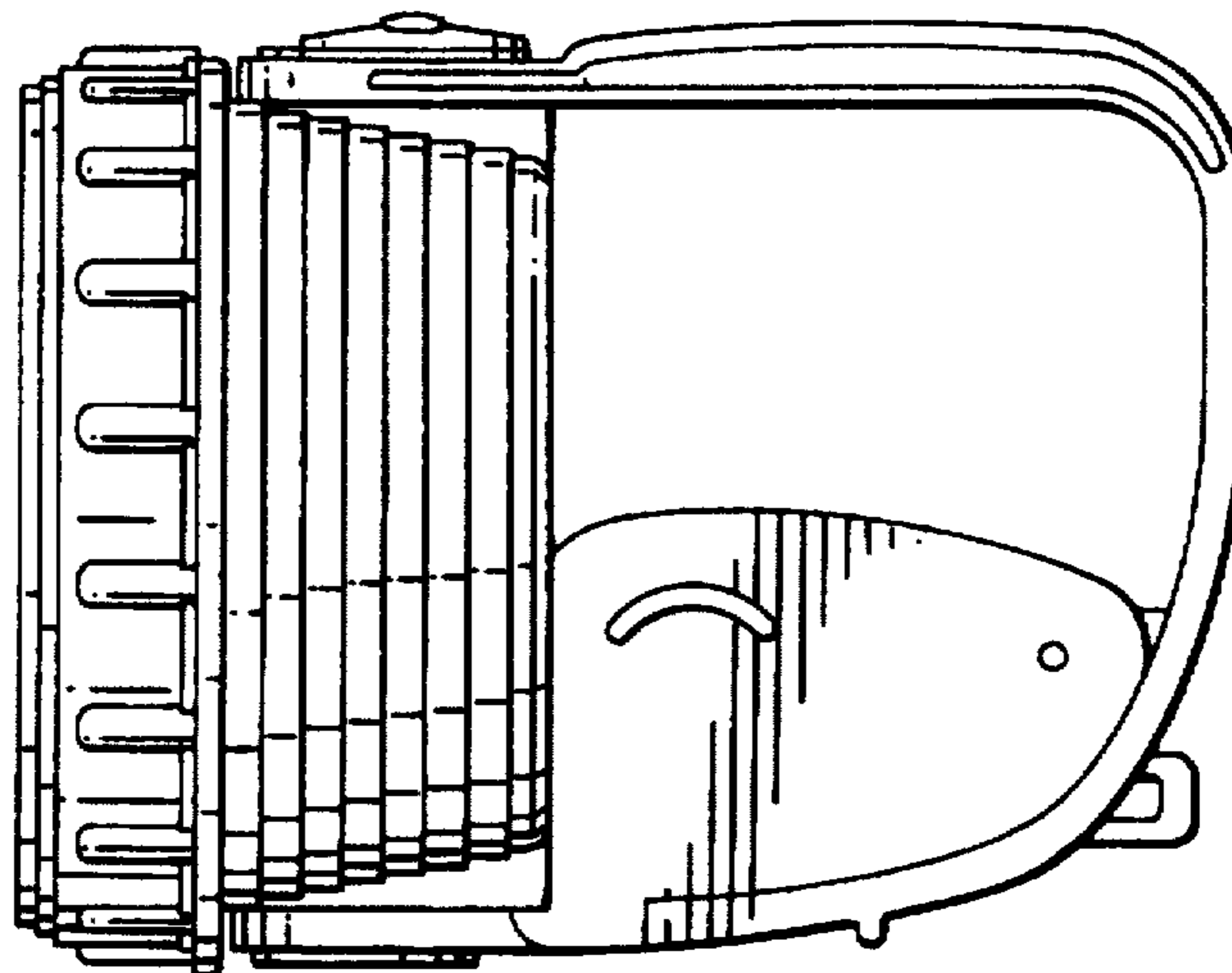


FIG. 3

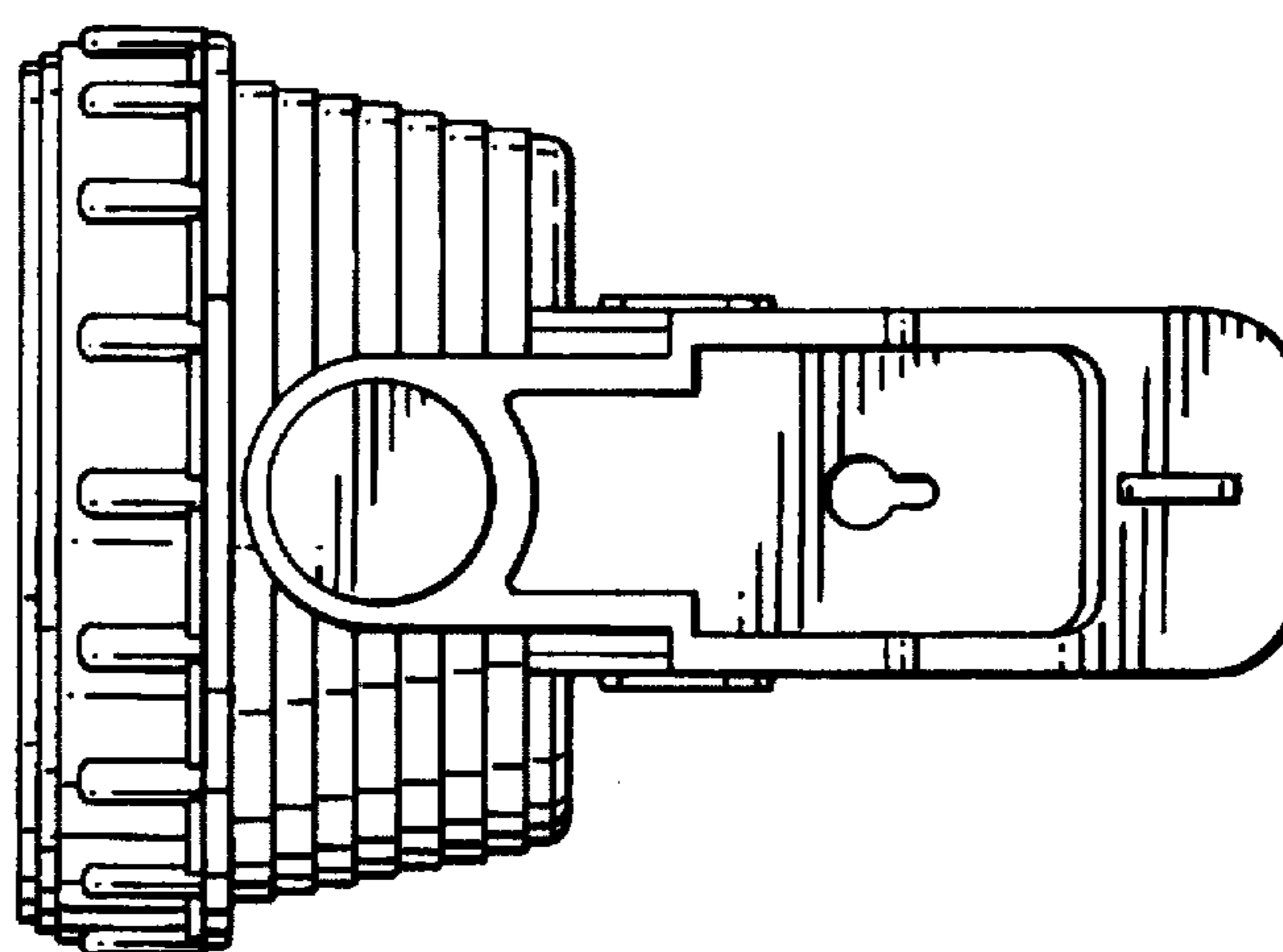


FIG. 4

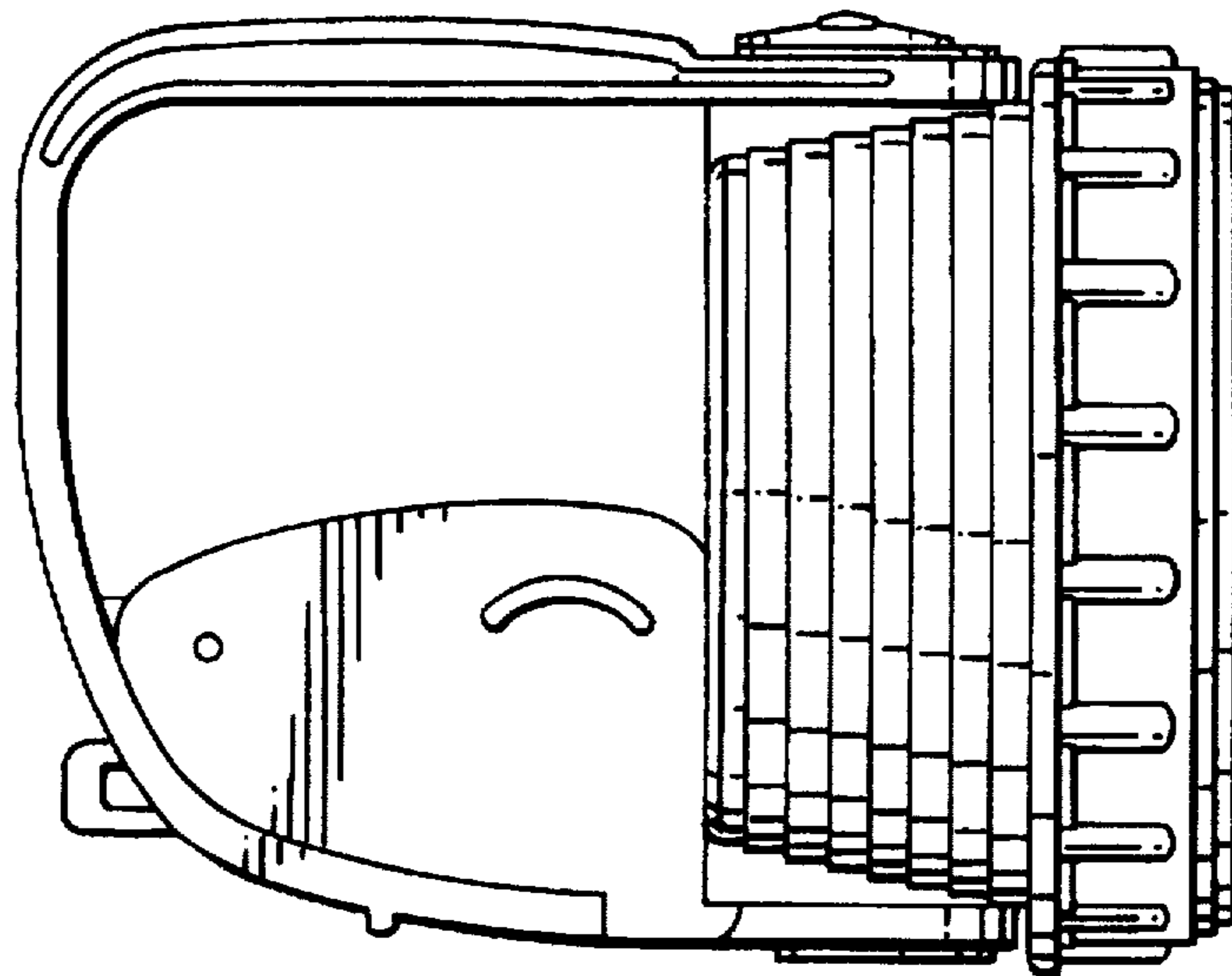


FIG. 5

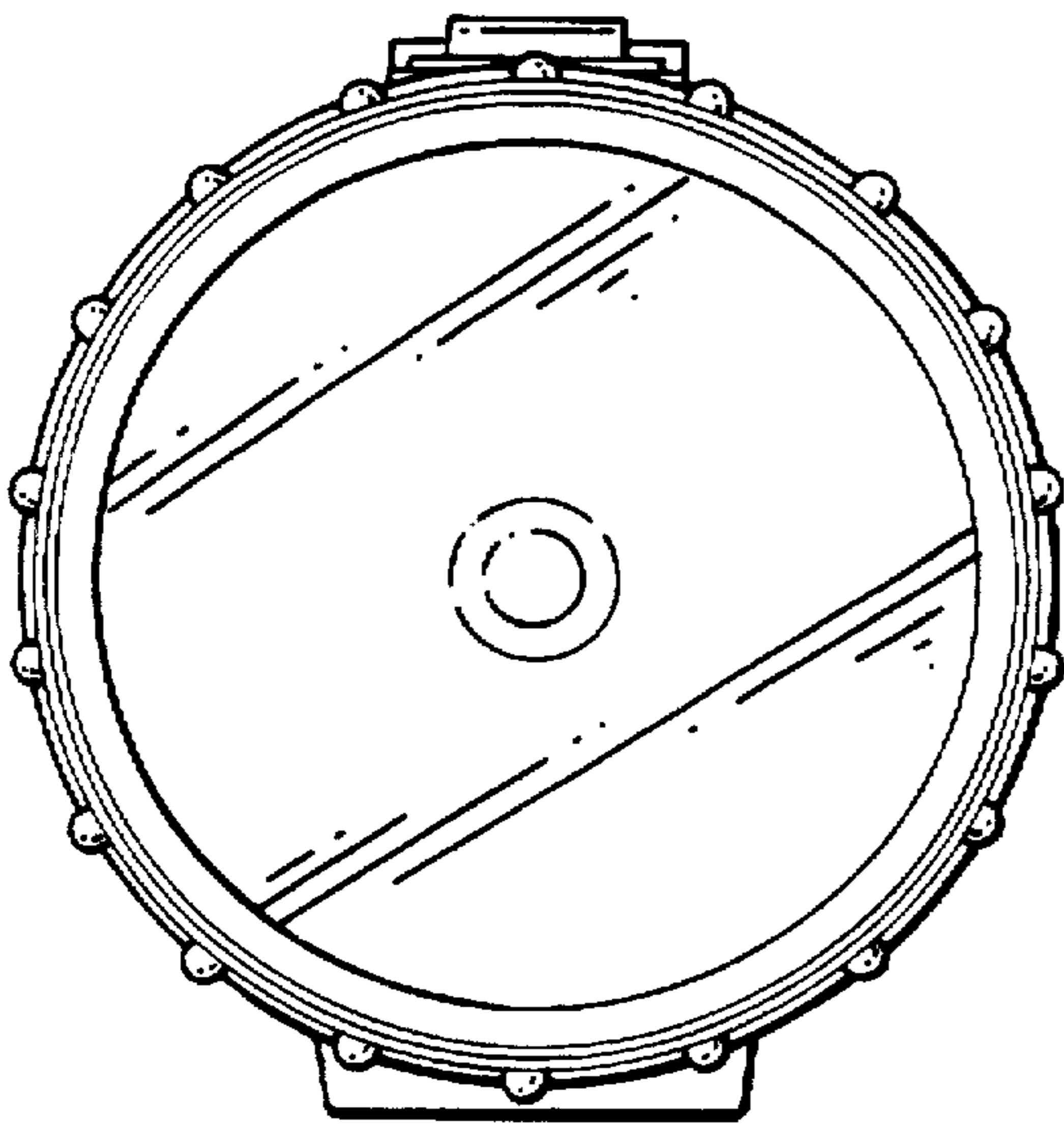


FIG. 6

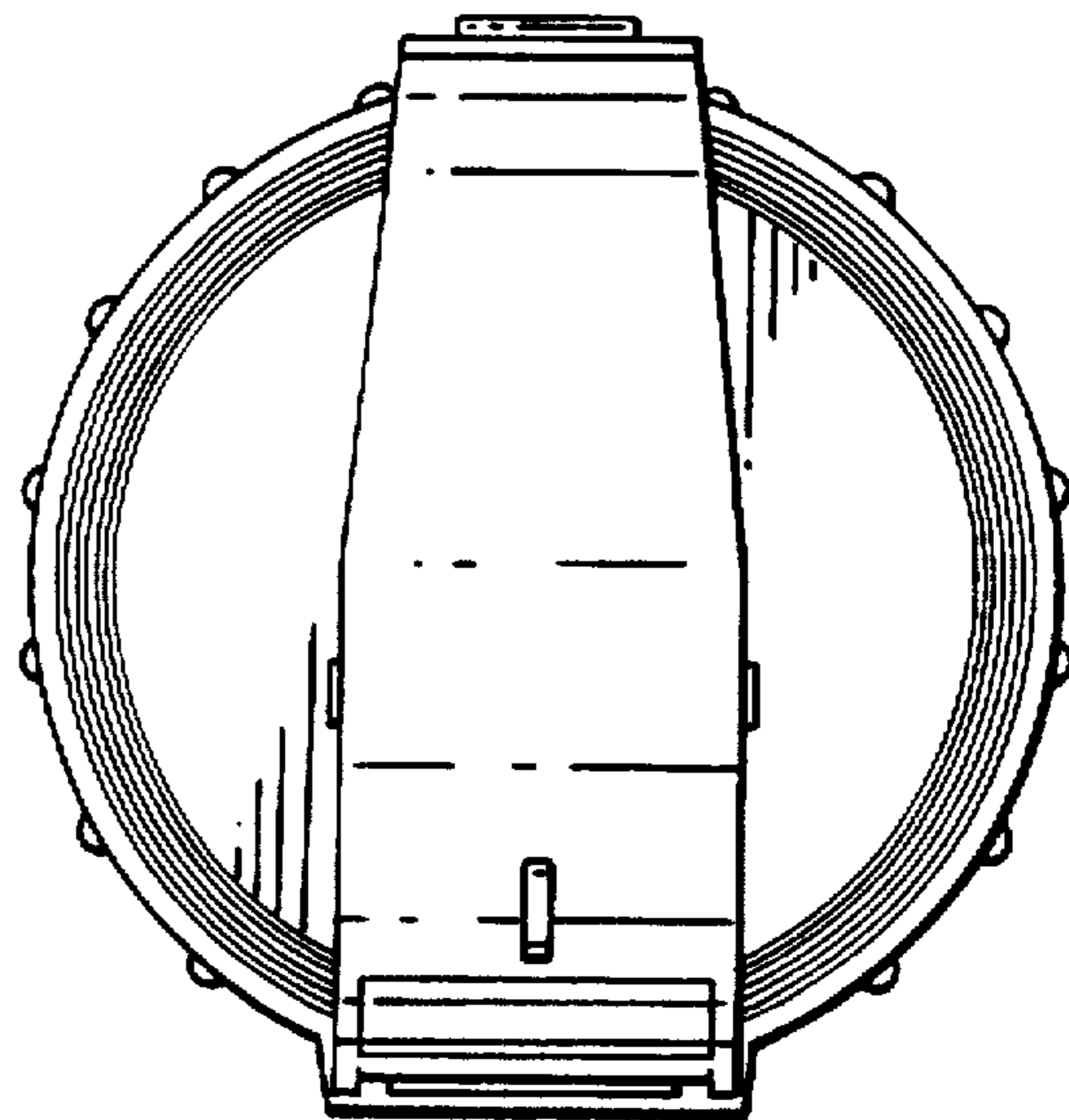


FIG. 7

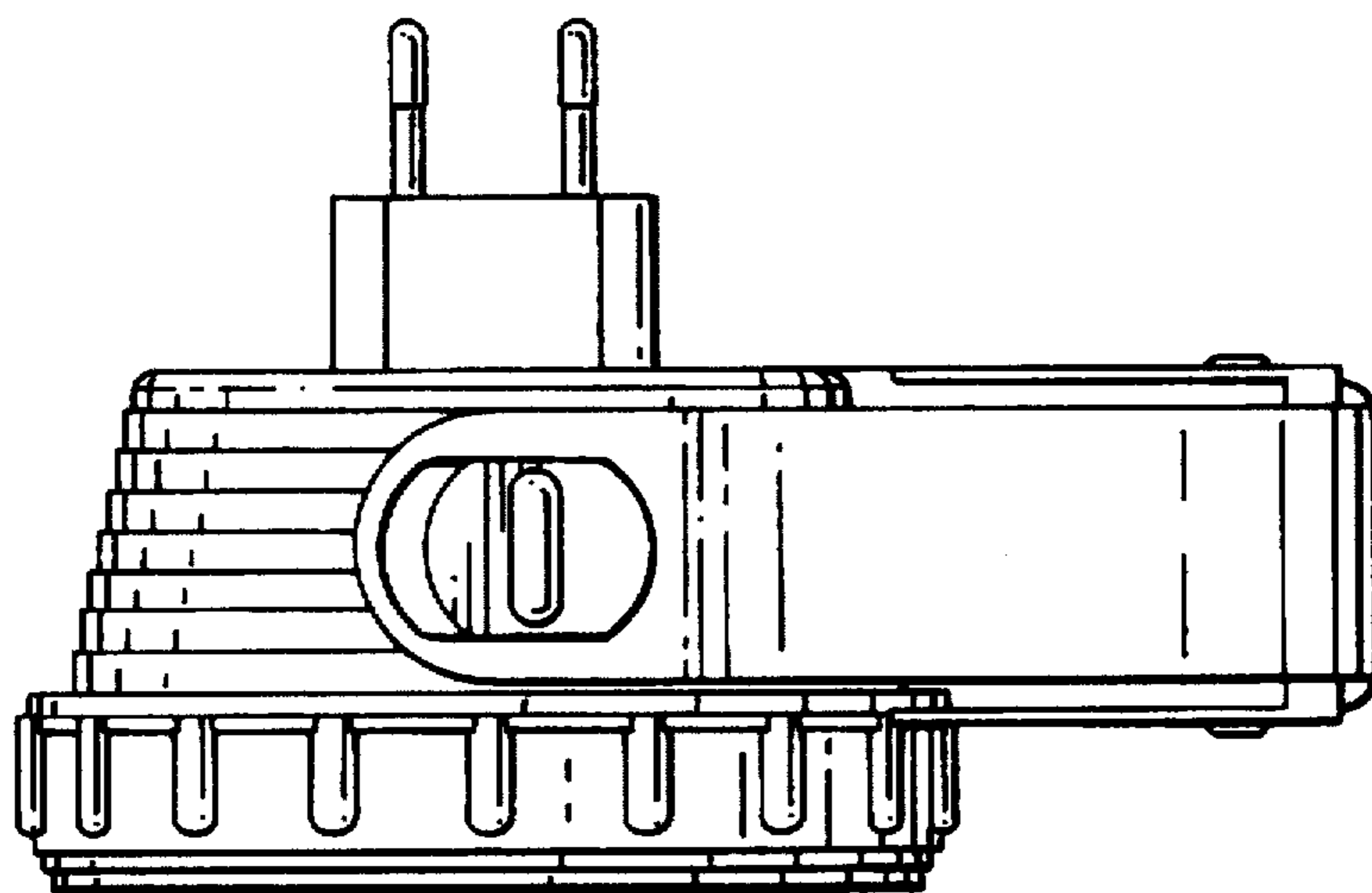
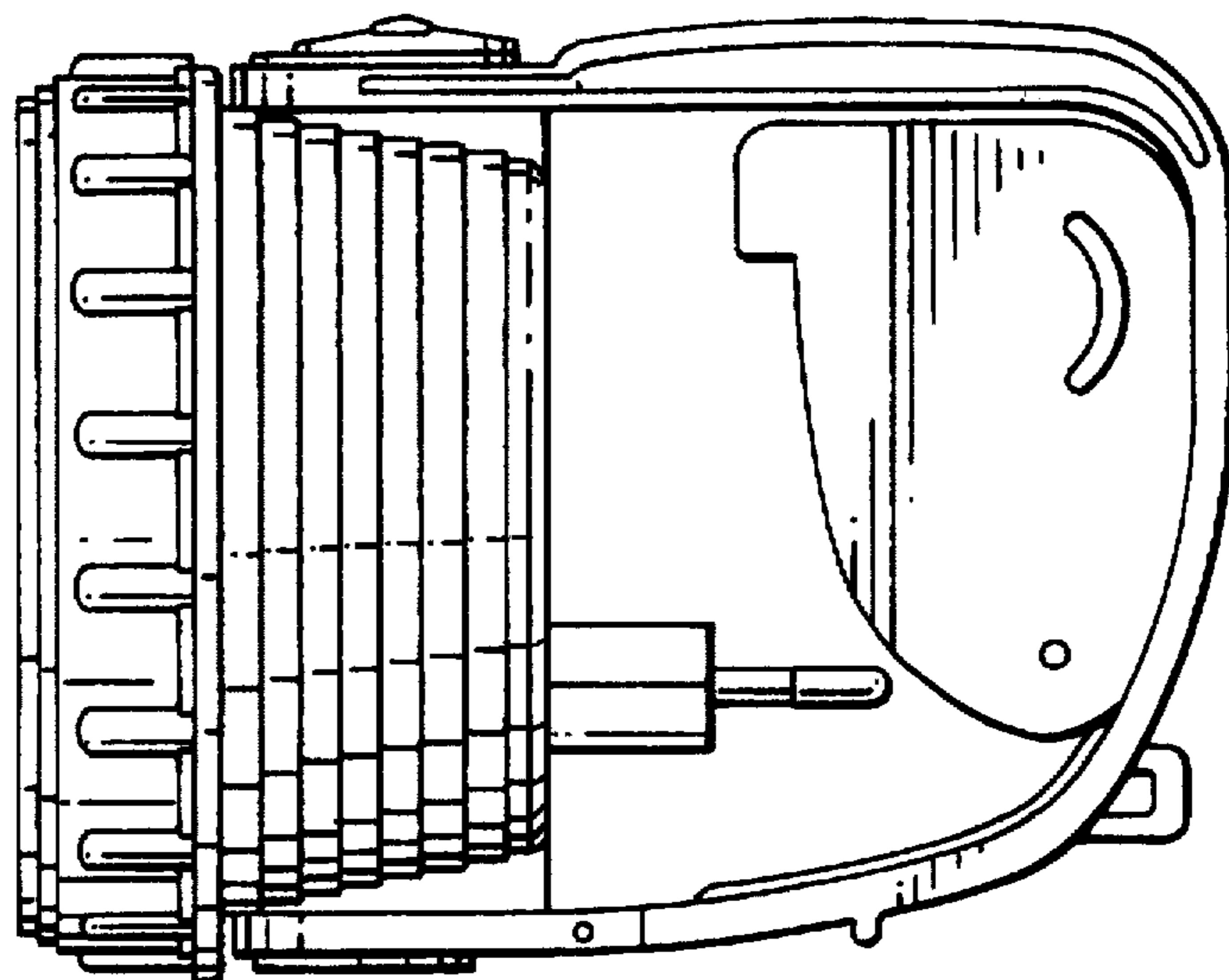


FIG. 8