



US00D393085S

United States Patent [19]
Mayer

[11] **Patent Number: Des. 393,085**
[45] **Date of Patent: **Mar. 31, 1998**

[54] **FOG LAMP**

[75] **Inventor: Mark James Mayer, Bolingbrook, Ill.**

[73] **Assignee: Blazer International, Franklin Park, Ill.**

[**] **Term: 14 Years**

[21] **Appl. No.: 37,151**

[22] **Filed: Apr. 5, 1995**

[51] **LOC (6) Cl. 26-06**

[52] **U.S. Cl. D26/28**

[58] **Field of Search D26/28-36; 362/61,
362/80, 81, 82, 83**

[56] **References Cited**

U.S. PATENT DOCUMENTS

D. 269,817	7/1983	Frazier	D26/28
D. 270,190	8/1983	Ichikawa	D26/28
D. 333,879	3/1993	Tsai	D26/28

Primary Examiner—Marcus A. Jackson
Attorney, Agent, or Firm—Fish & Richardson P.C.

[57] **CLAIM**

The ornamental design for a fog lamp, as shown and described.

DESCRIPTION

FIG. 1 is a front side perspective view of a fog lamp showing the design, with the broken line showing for illustrative purposes only and forming no part of the claimed design; FIG. 2 is a top plan view thereof; FIG. 3 is a left side view thereof; FIG. 4 is a right side view thereof; FIG. 5 is a front end view thereof; FIG. 6 is a rear end view thereof; and, FIG. 7 is a bottom view thereof.

1 Claim, 3 Drawing Sheets

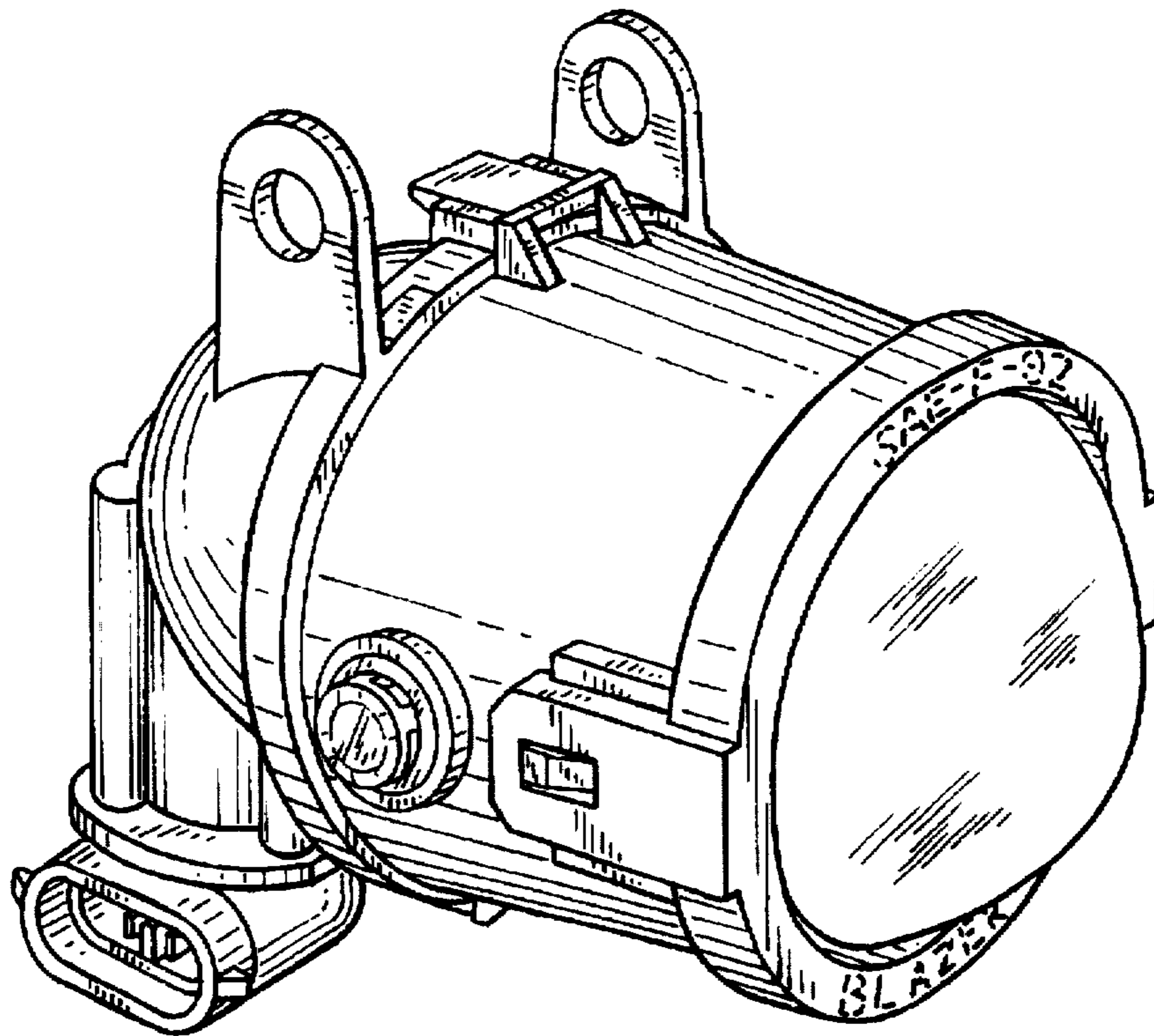


FIG. 1

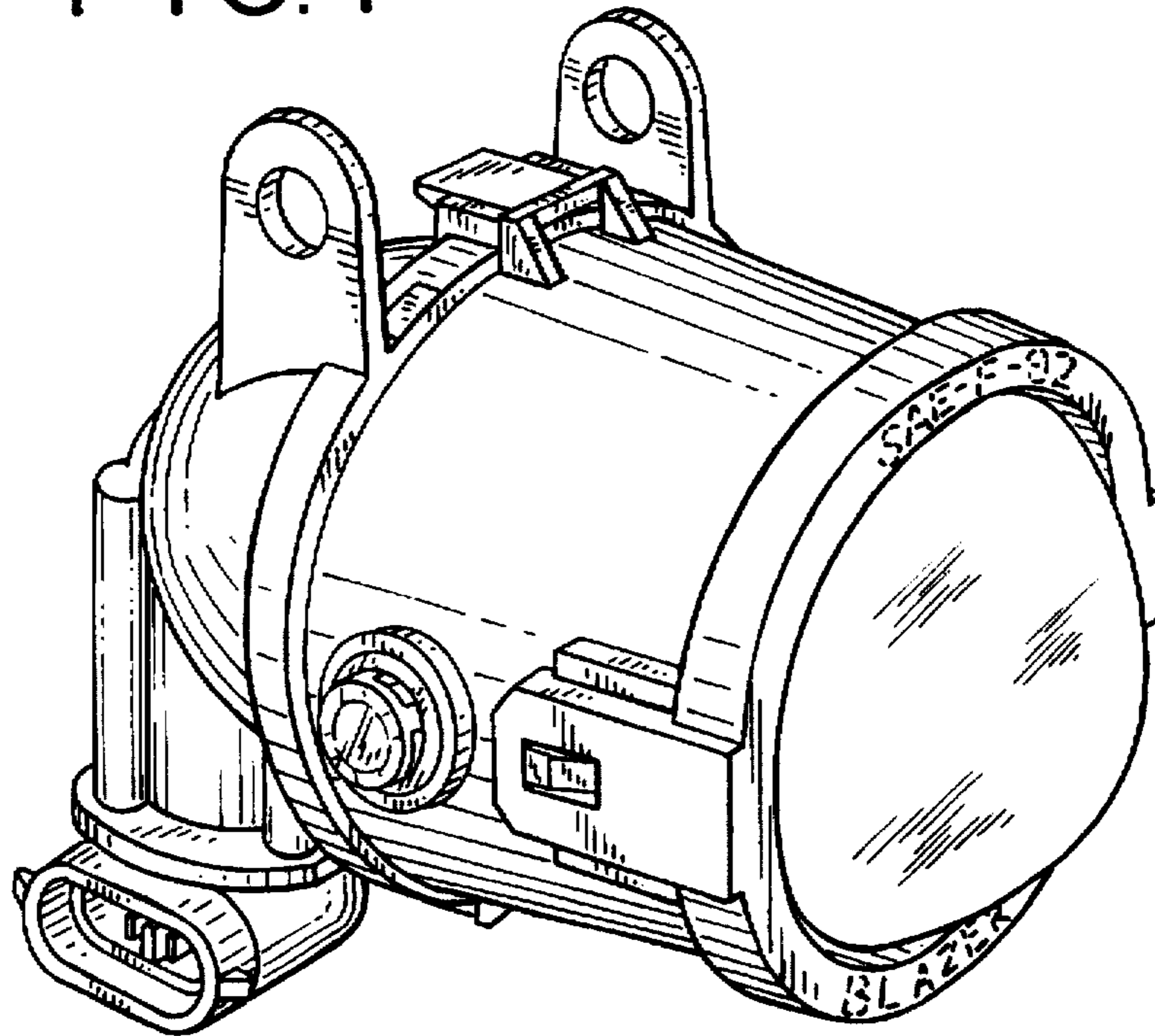


FIG. 2

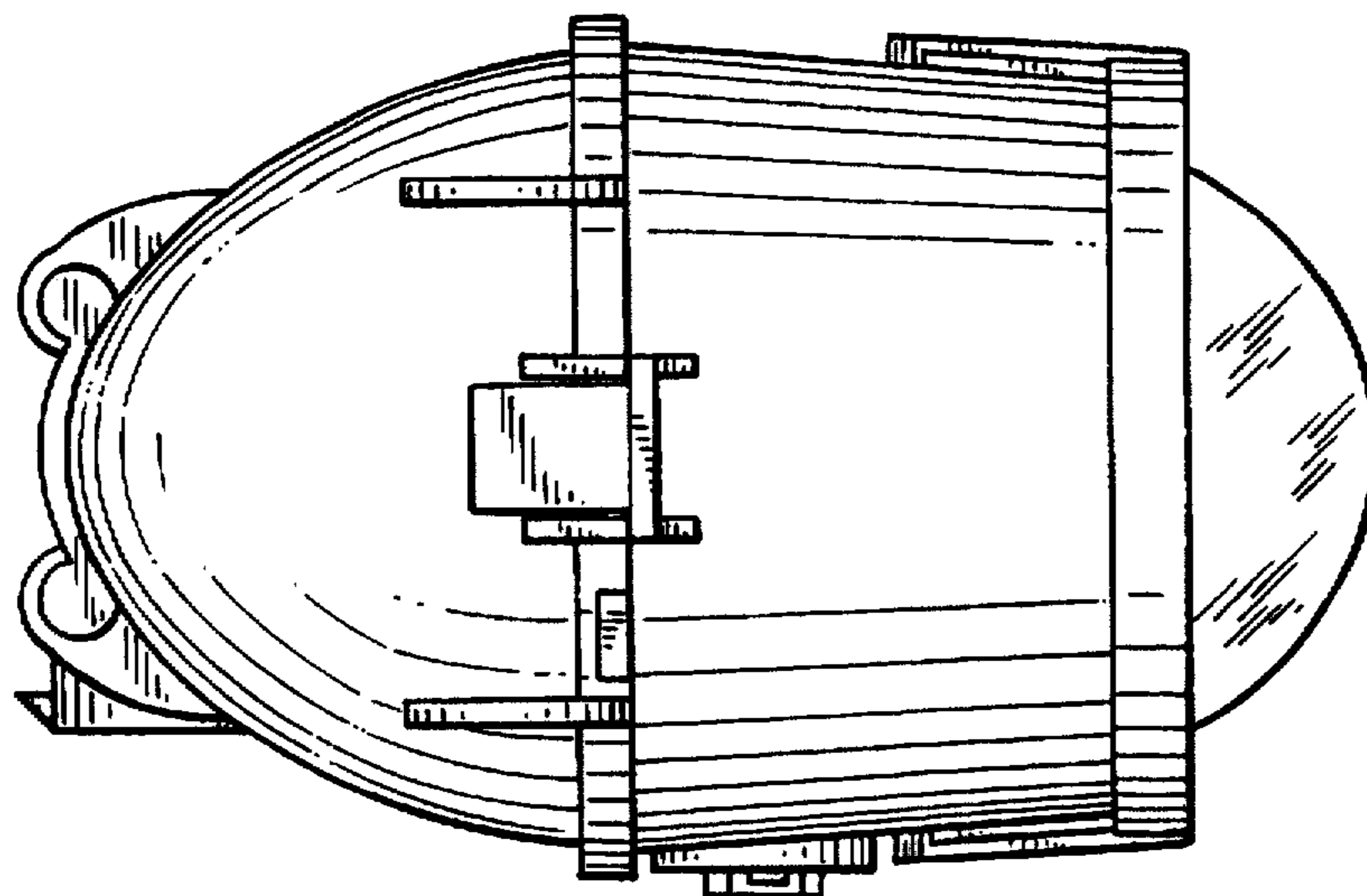


FIG. 3

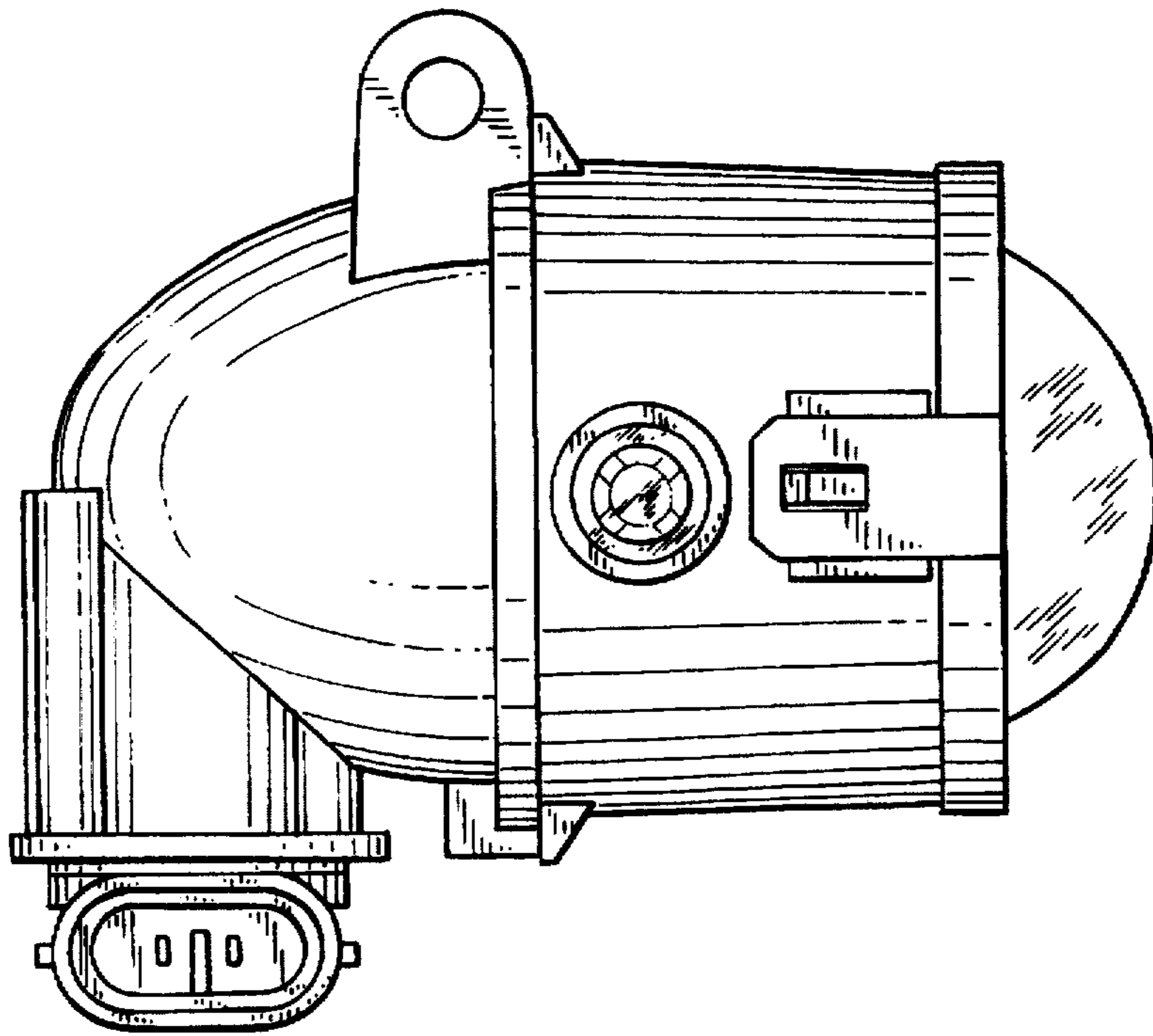


FIG. 4

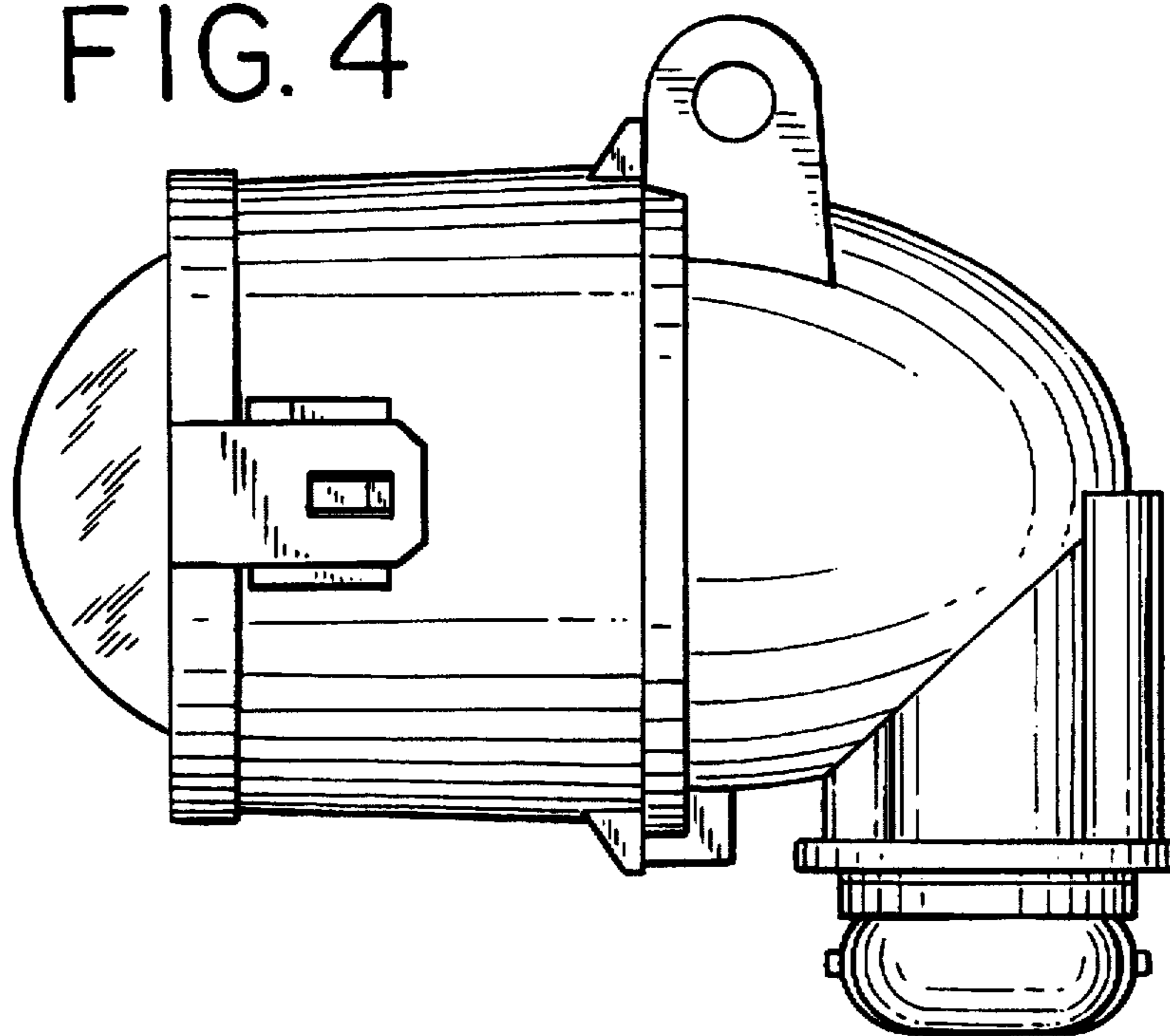


FIG. 5

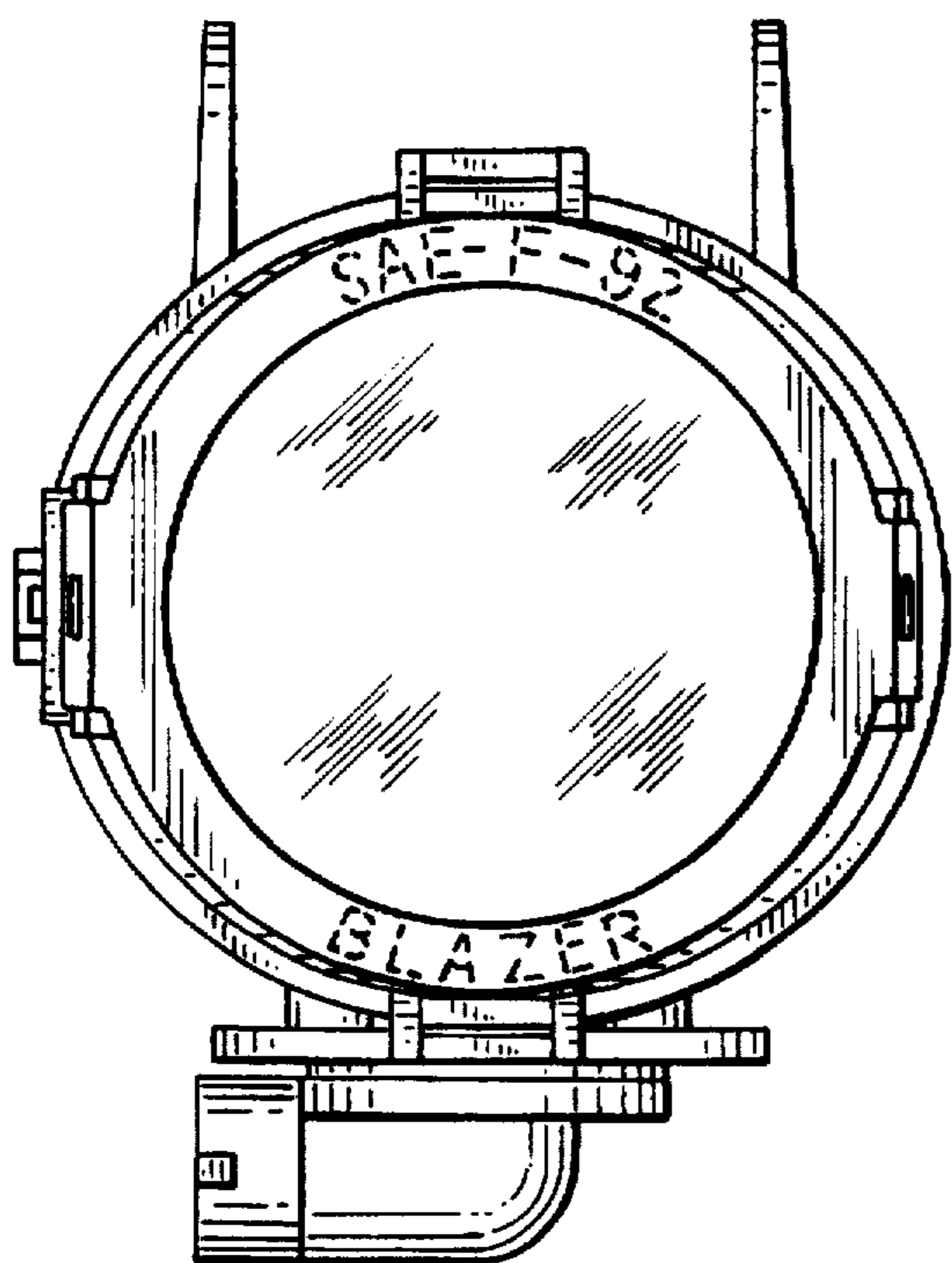


FIG. 6

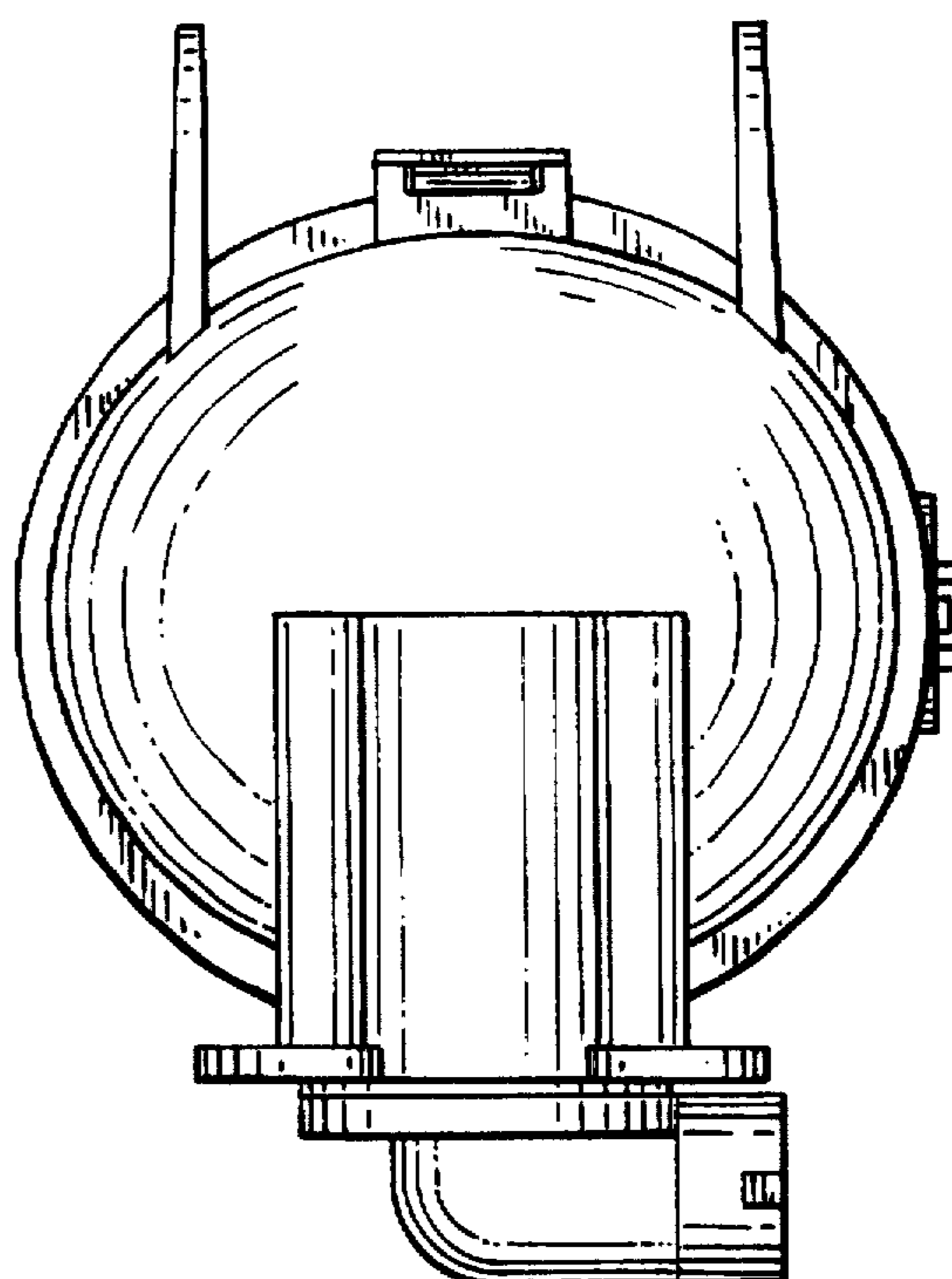


FIG. 7

