

US00D393084S

**United States Patent** [19]  
**Hergert**

[11] **Patent Number: Des. 393,084**  
[45] **Date of Patent: \*\*Mar. 31, 1998**

[54] **NIGHT LIGHT**

[76] **Inventor: David Hergert**, Transfar International Corporation 411 Huntington Rd., Kansas City, Mo. 64113

[\*\*] **Term: 14 Years**

[21] **Appl. No.: 58,236**

[22] **Filed: Aug. 9, 1996**

[51] **LOC (6) Cl. .... 26-05**

[52] **U.S. Cl. .... D26/26**

[58] **Field of Search .... D26/93, 102-112, D26/26, 56, 118, 128-137; 362/410-414, 326, 334, 335, 337, 338, 339, 340, 351, 355**

[56] **References Cited**

**U.S. PATENT DOCUMENTS**

D. 39,323	5/1908	Phelps	.....	D26/128
D. 188,213	6/1960	Barto	.....	D26/26
D. 189,365	11/1960	Kraus	.....	D26/26
D. 274,370	6/1984	Schwartz	.....	D26/26
5,622,424	4/1997	Brady	.....	362/226

*Primary Examiner*—Susan J. Lucas  
*Attorney, Agent, or Firm*—Lathrop & Gage, L.c.

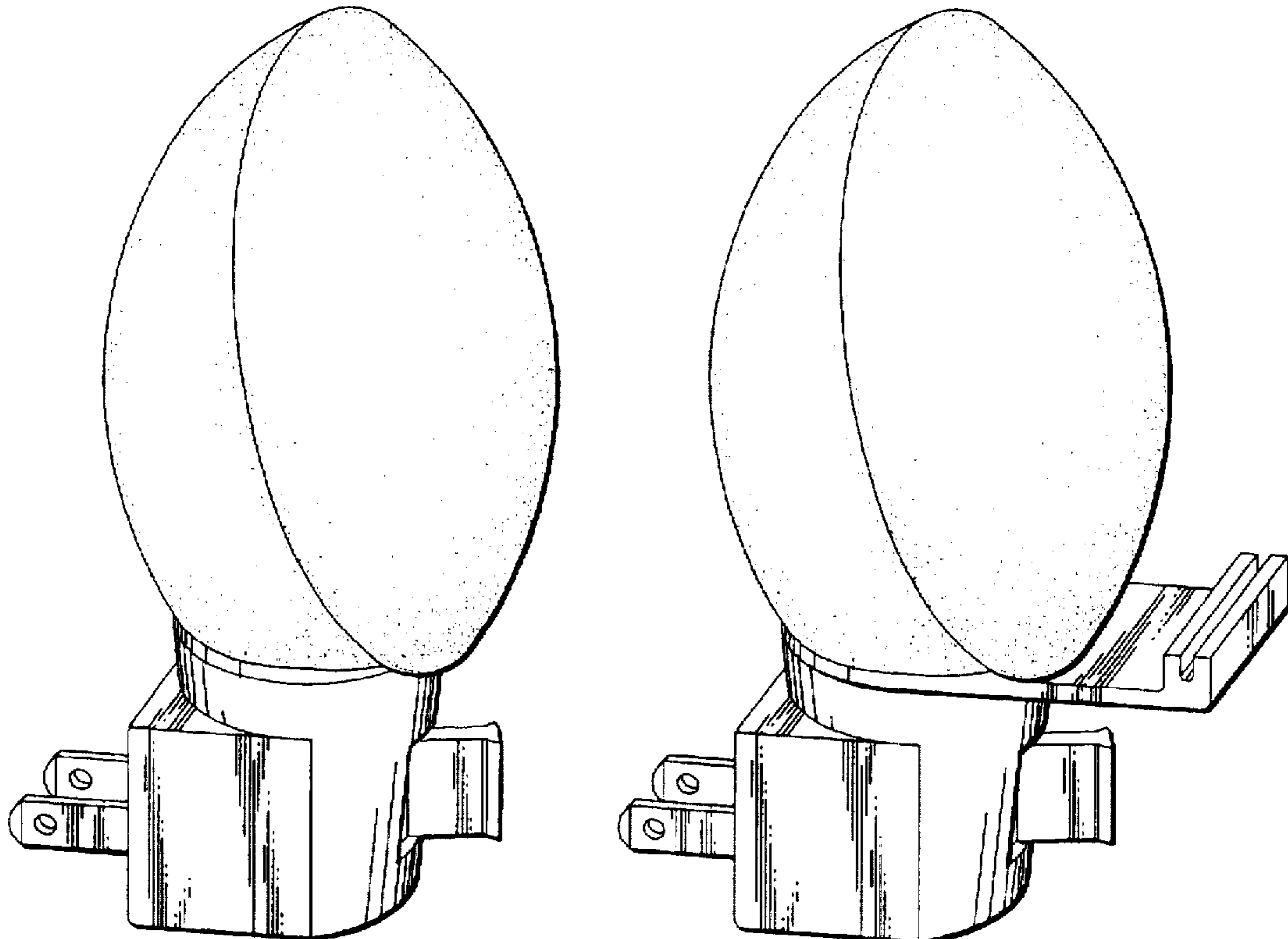
[57] **CLAIM**

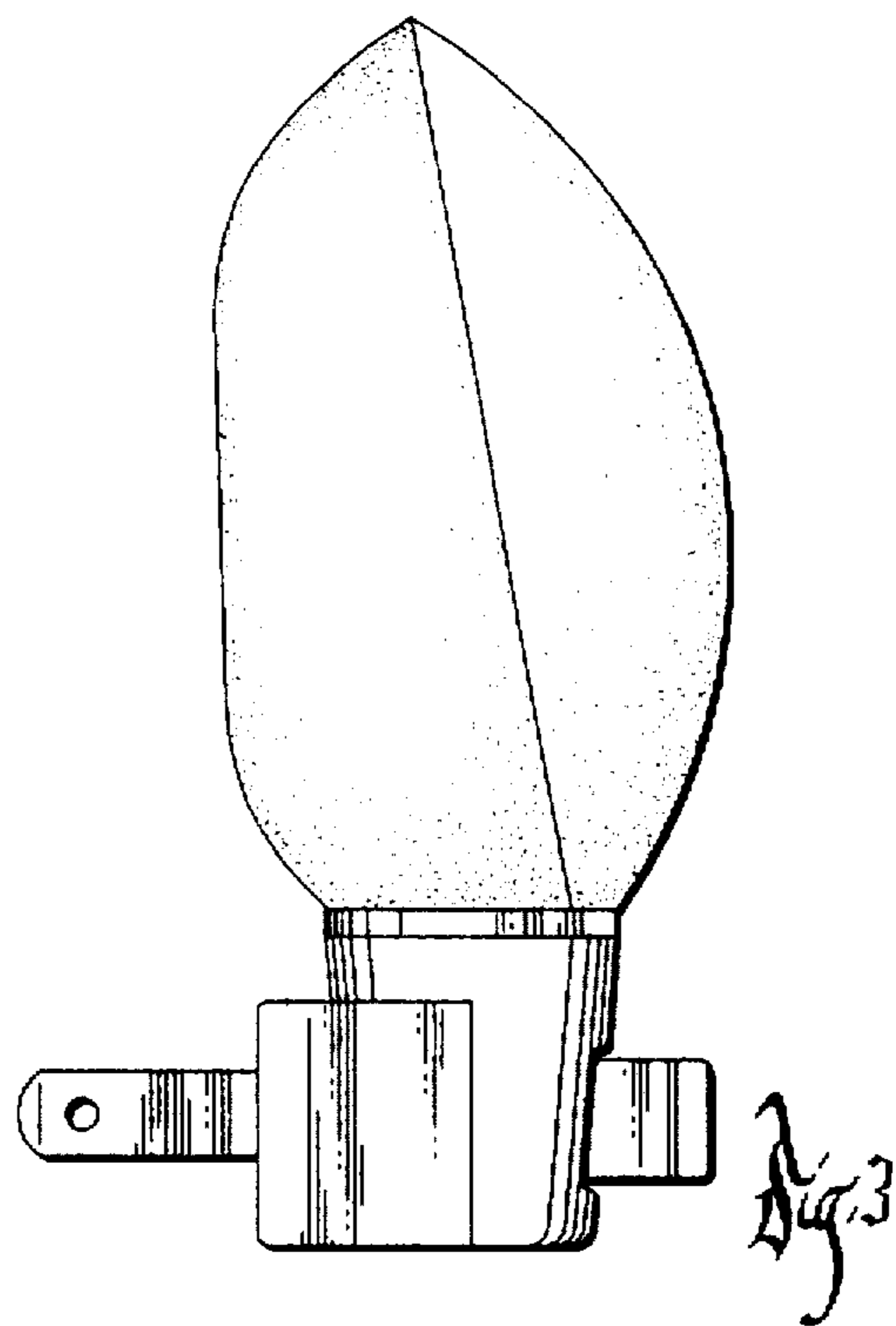
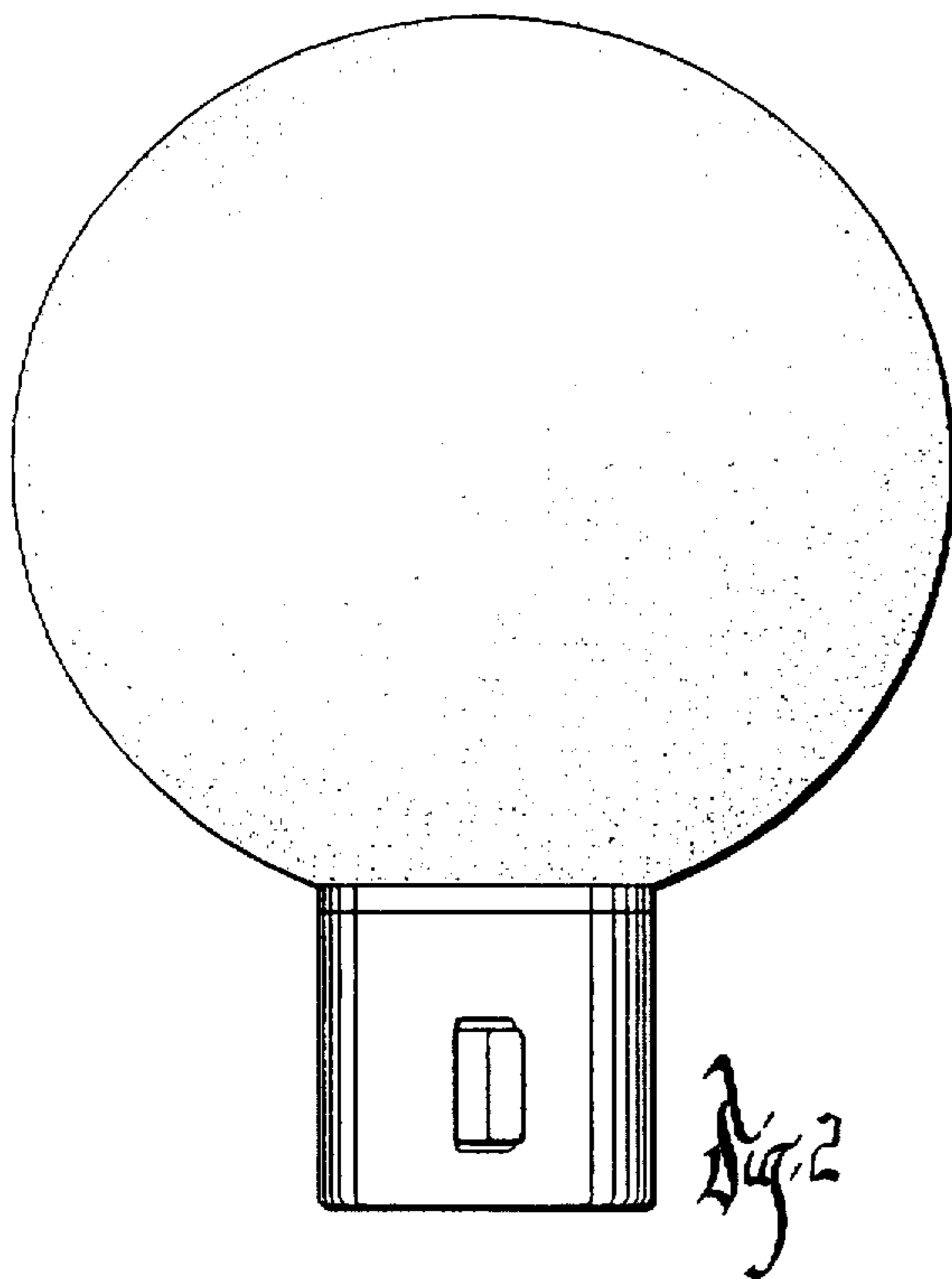
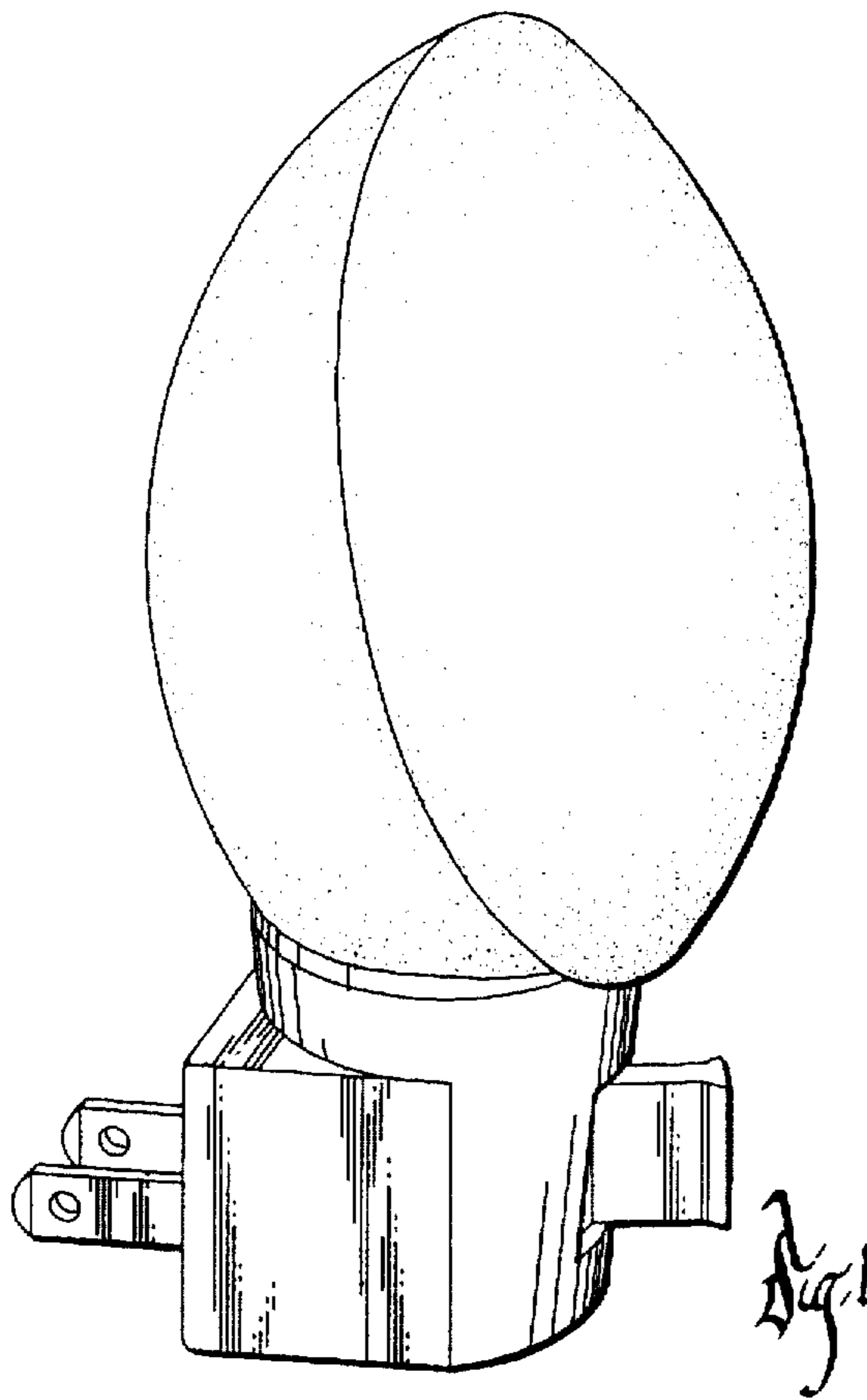
An ornamental design for the night light, as shown and described.

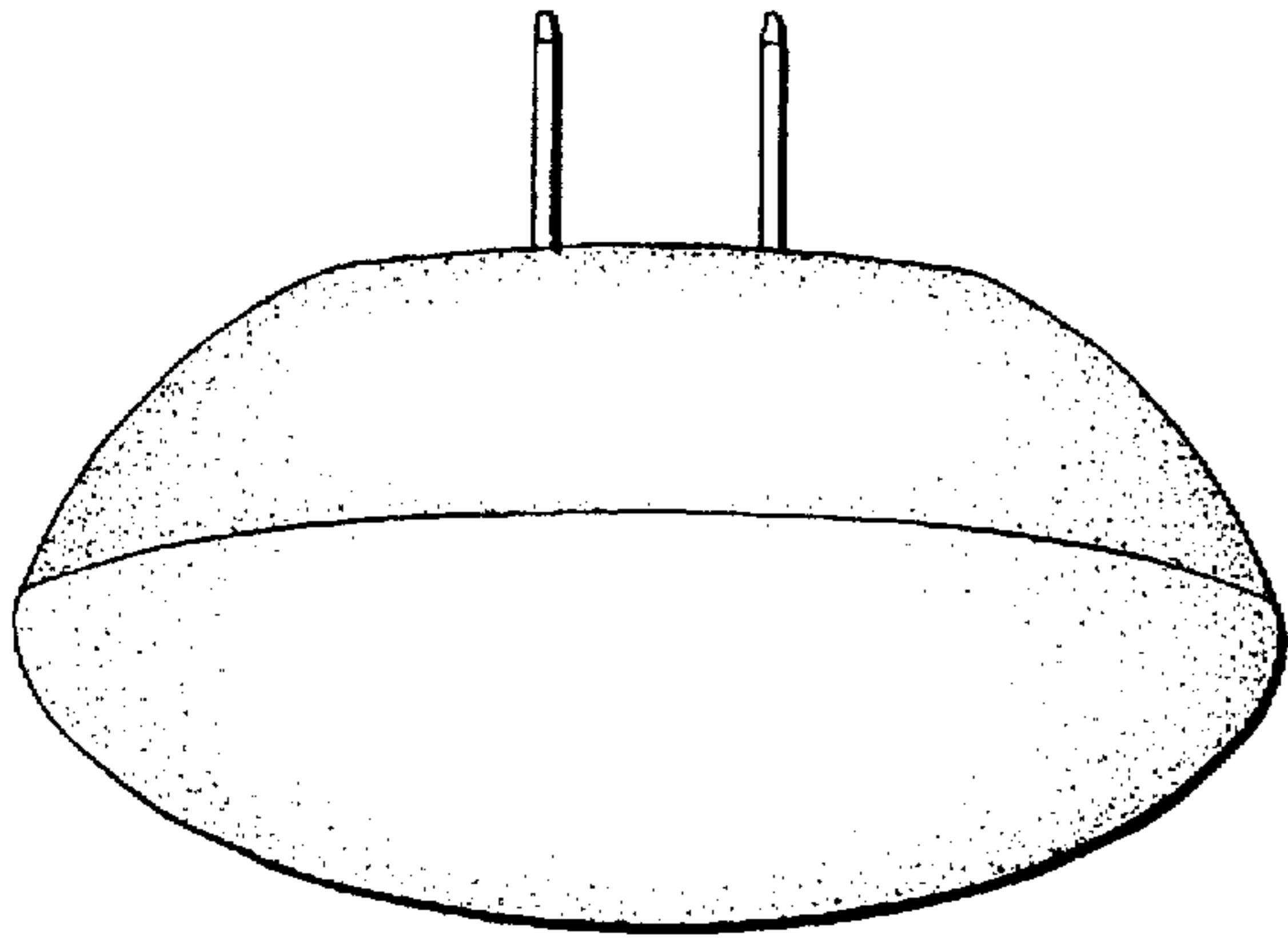
**DESCRIPTION**

FIG. 1 is a perspective view of a night light showing my new design;  
FIG. 2 is a front elevational view thereof;  
FIG. 3 is a side elevational view thereof, the opposite side being a mirror image;  
FIG. 4 is a top plan view thereof;  
FIG. 5 is a rear elevational view thereof;  
FIG. 6 is a bottom plan view thereof;  
FIG. 7 is a perspective view of a second embodiment of the night light showing my new design;  
FIG. 8 is a front elevational view thereof;  
FIG. 9 is a side elevational view thereof, the opposite side being a mirror image;  
FIG. 10 is a top plan view thereof;  
FIG. 11 is a rear elevational view thereof; and,  
FIG. 12 is a bottom plan view thereof.

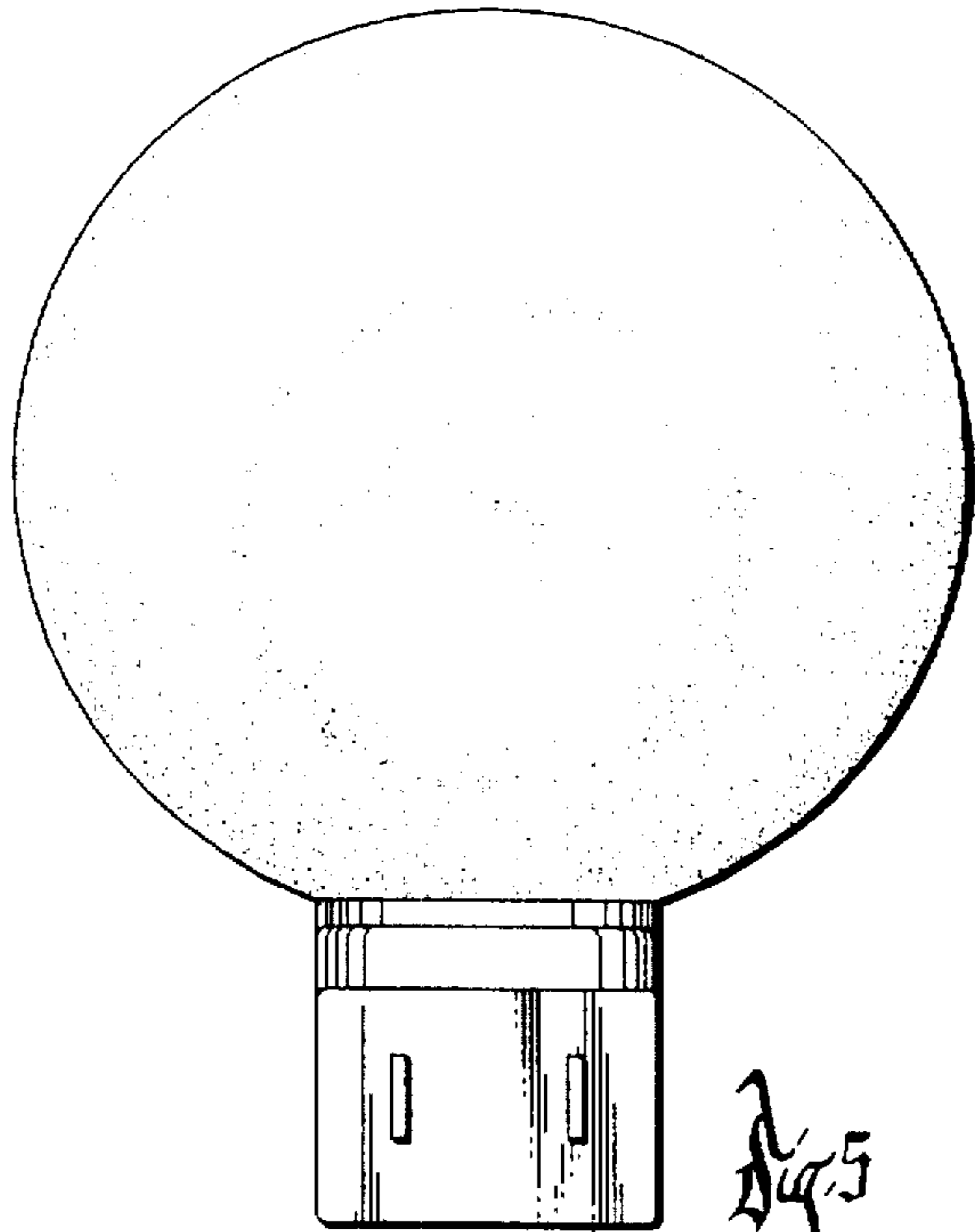
**1 Claim, 4 Drawing Sheets**



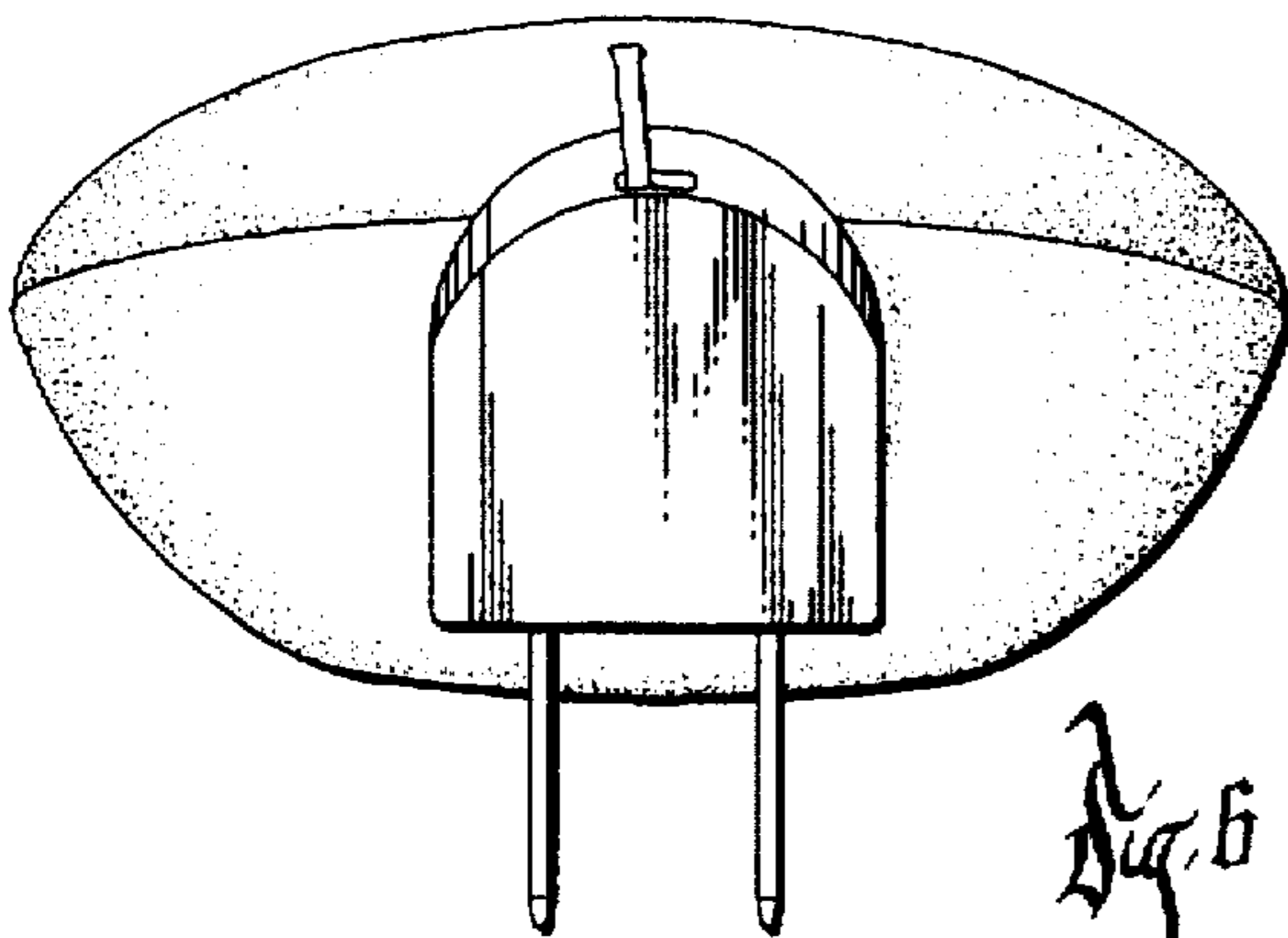




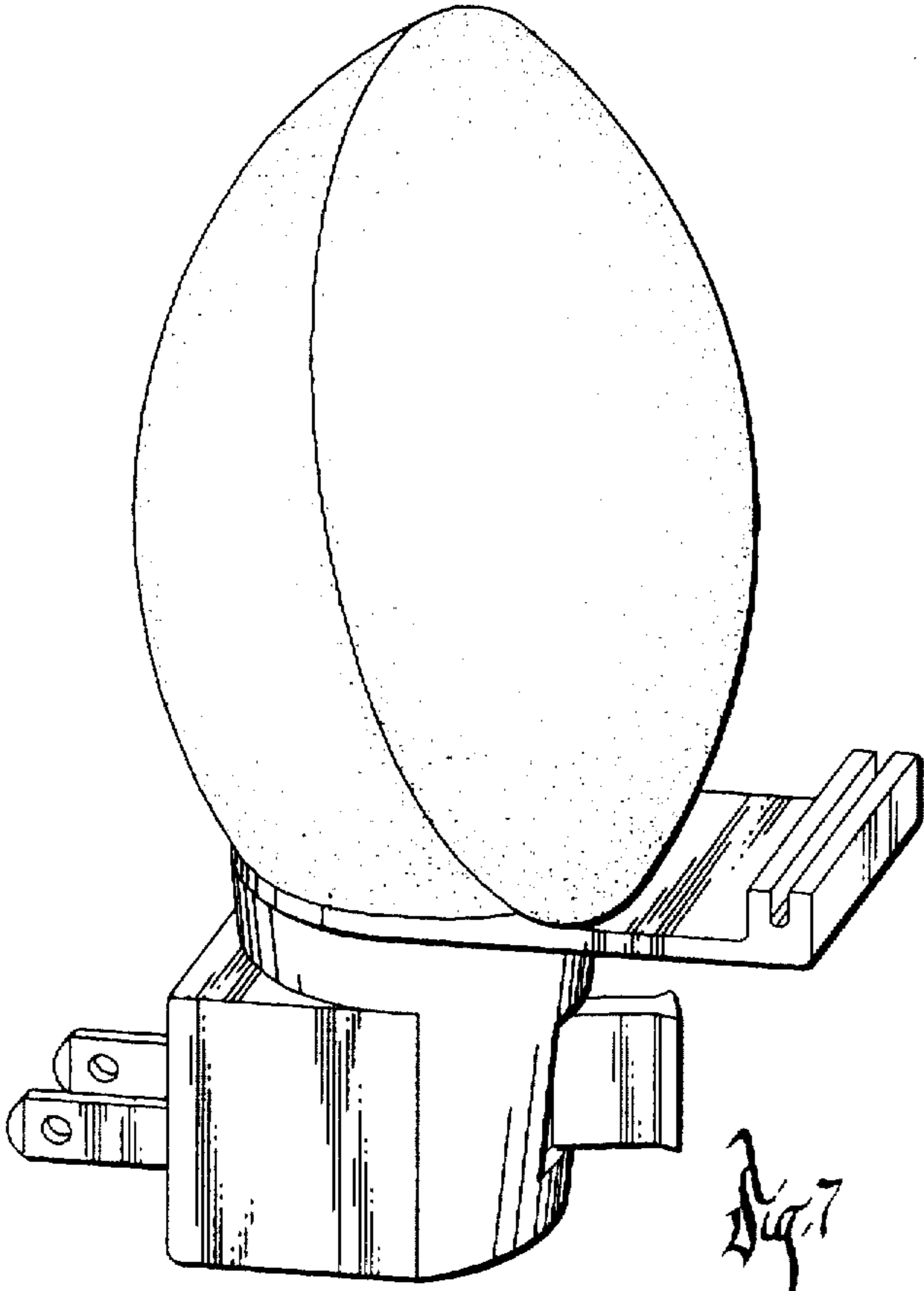
*Fig. 4*



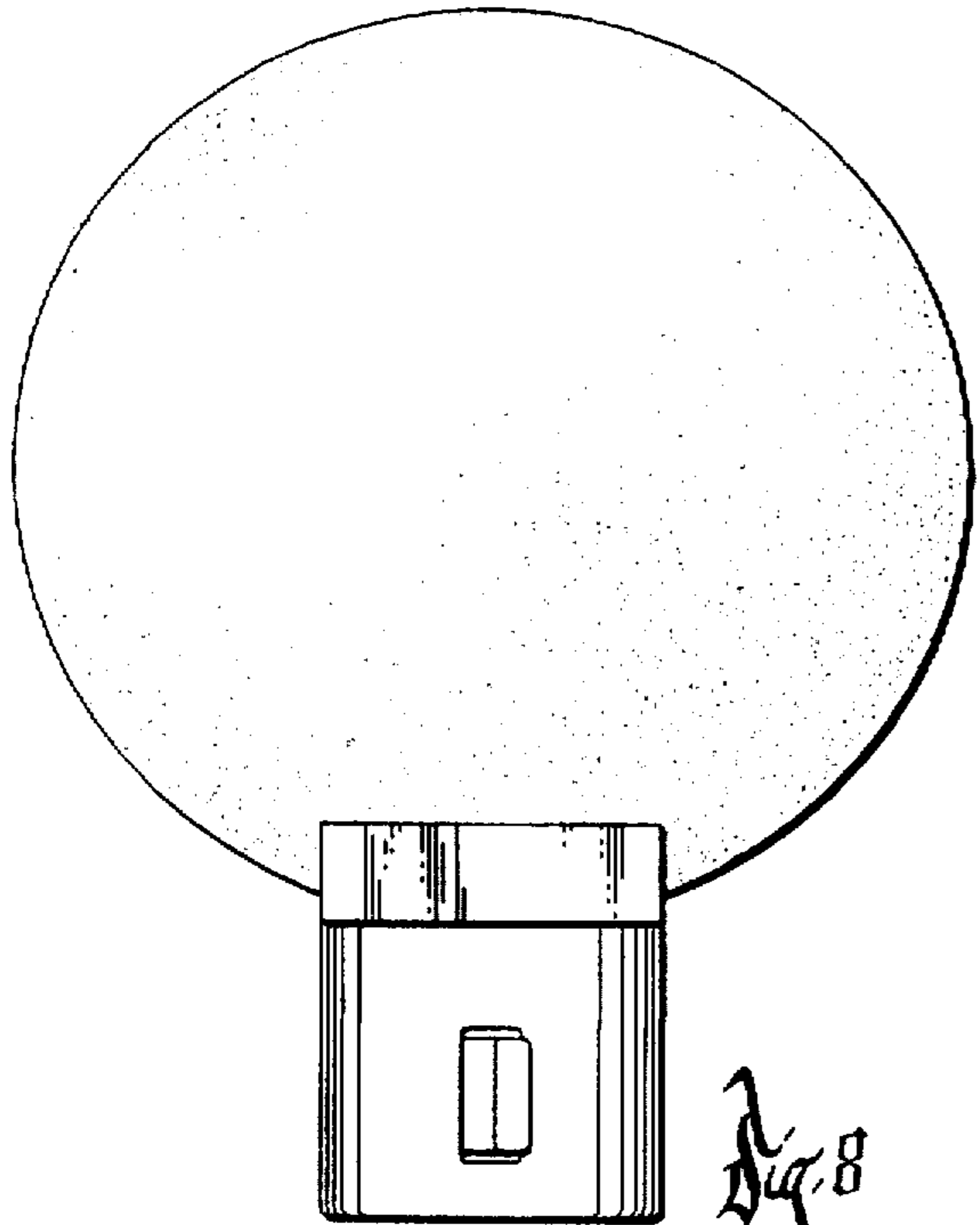
*Fig. 5*



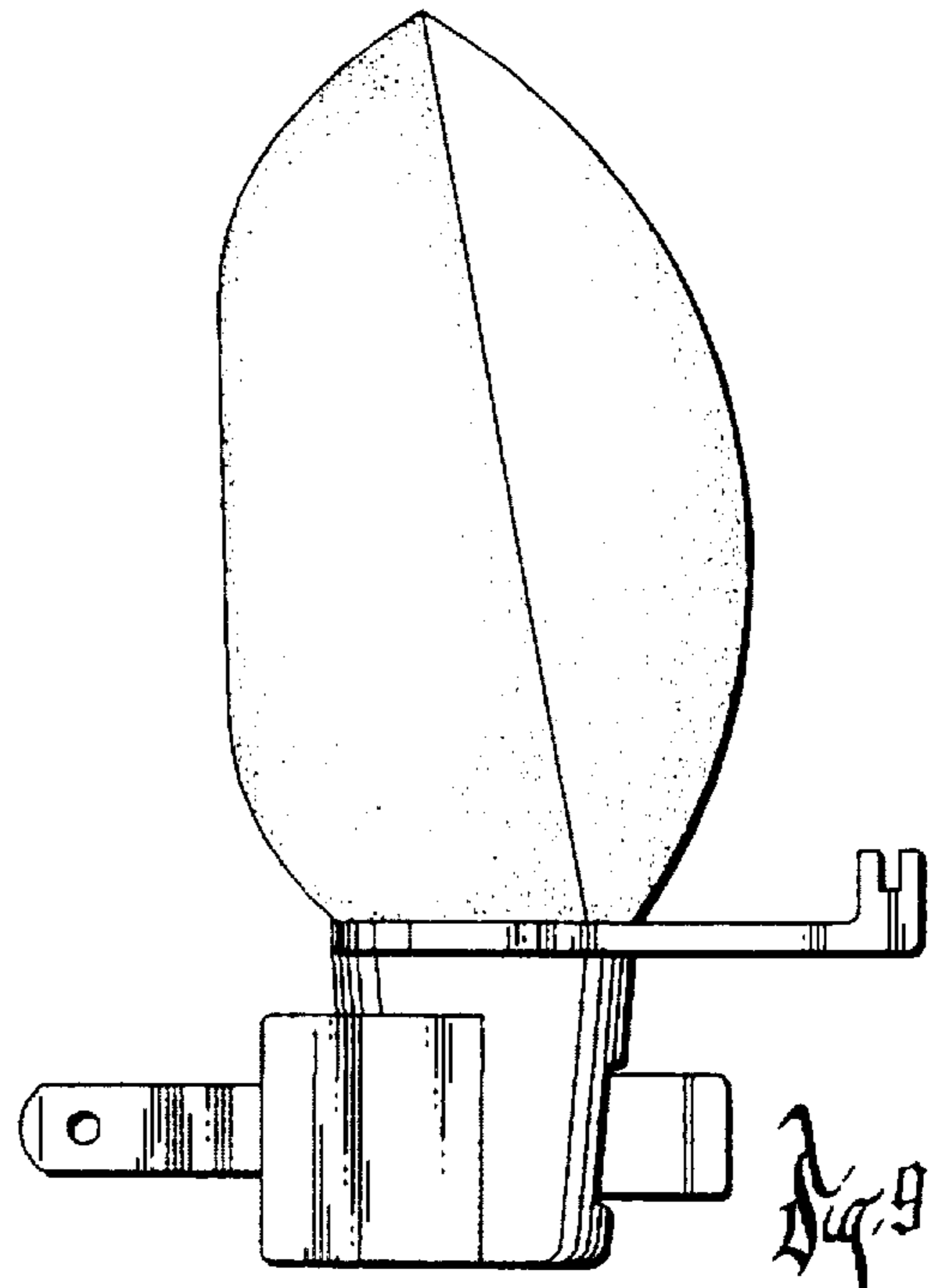
*Fig. 6*



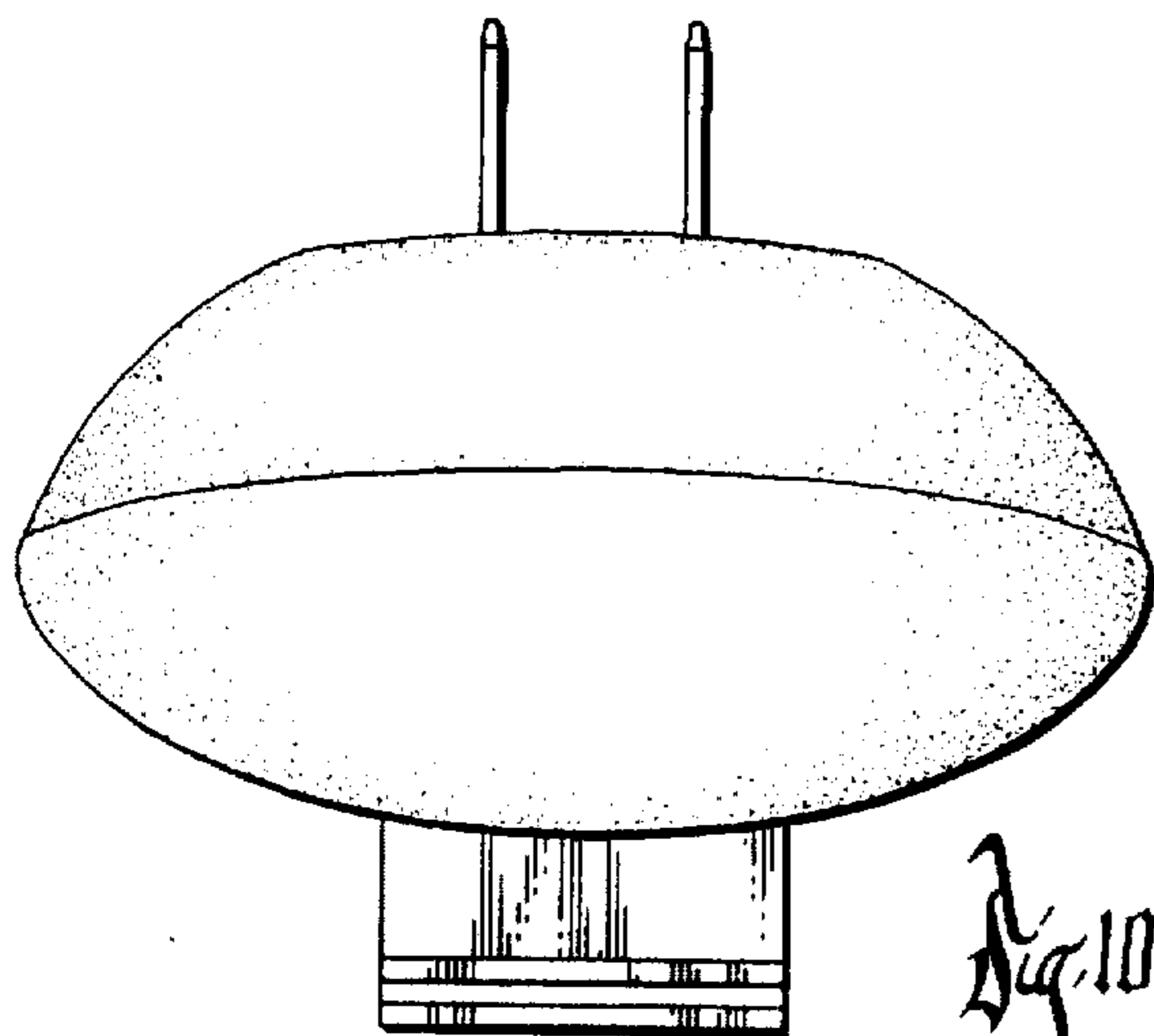
*Fig. 7*



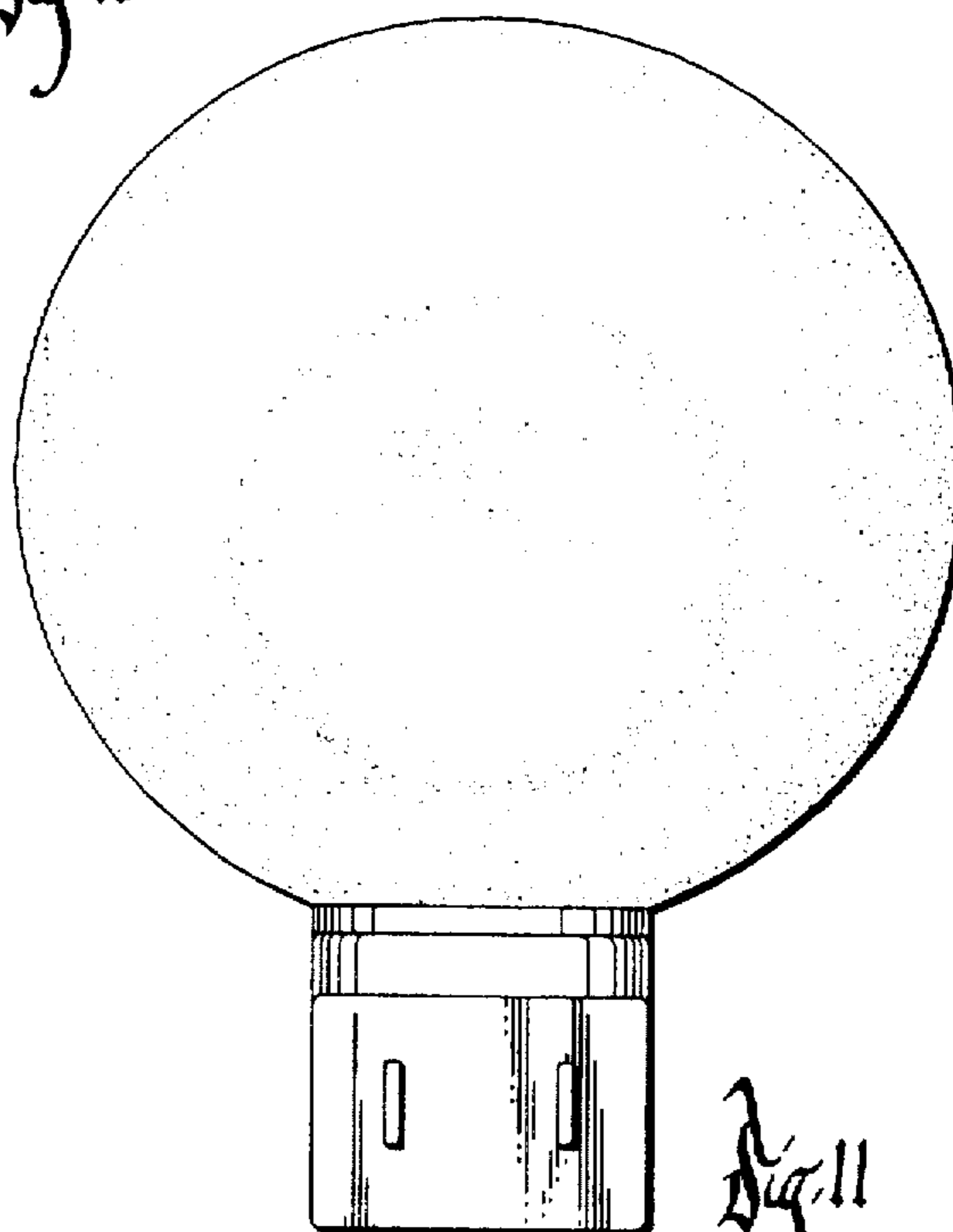
*Fig. 8*



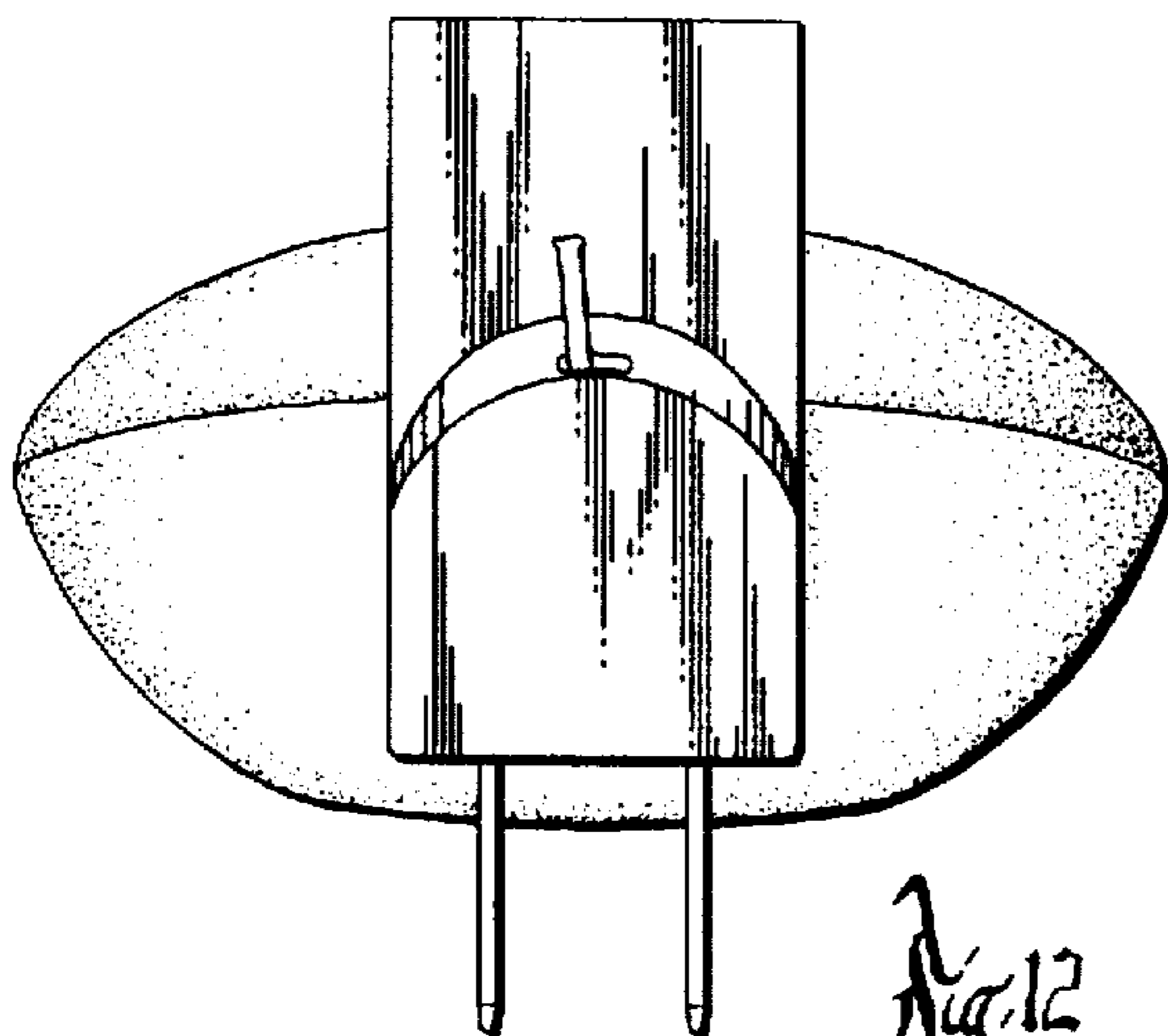
*Fig. 9*



*Fig. 10*



*Fig. 11*



*Fig. 12*