



US00D393077S

# United States Patent [19]

Dover

[11] Patent Number: **Des. 393,077**

[45] Date of Patent: **\*\*Mar. 31, 1998**

[54] **SHUTTER RAIL**

[75] Inventor: **Frederick George Dover**, Greenfield,  
United Kingdom

[73] Assignee: **Dover Roller Shutters Limited**,  
Manchester, United Kingdom

[\*\*] Term: **14 Years**

[21] Appl. No.: **66,609**

[22] Filed: **Feb. 12, 1997**

[30] **Foreign Application Priority Data**

Oct. 18, 1996 [GB] United Kingdom ..... 2060144

[51] LOC (6) Cl. .... **25-02**

[52] U.S. Cl. .... **D25/49**

[58] Field of Search ..... D25/49; 52/473;  
160/104, 107; 49/82.1, 74.1, 73.1, 92.1

[56] **References Cited**

**U.S. PATENT DOCUMENTS**

2,359,289 10/1944 Brown ..... 160/104

3,691,687	9/1972	Economou	.....	52/473
4,023,320	5/1977	Jackson	.....	52/473
5,379,551	1/1995	Swapp	.....	D25/49
5,430,986	7/1995	Vagedes	.....	52/473

*Primary Examiner*—Doris Clark  
*Attorney, Agent, or Firm*—Salter & Michaelson

[57] **CLAIM**

The ornamental design for a shutter rail, as shown and described.

**DESCRIPTION**

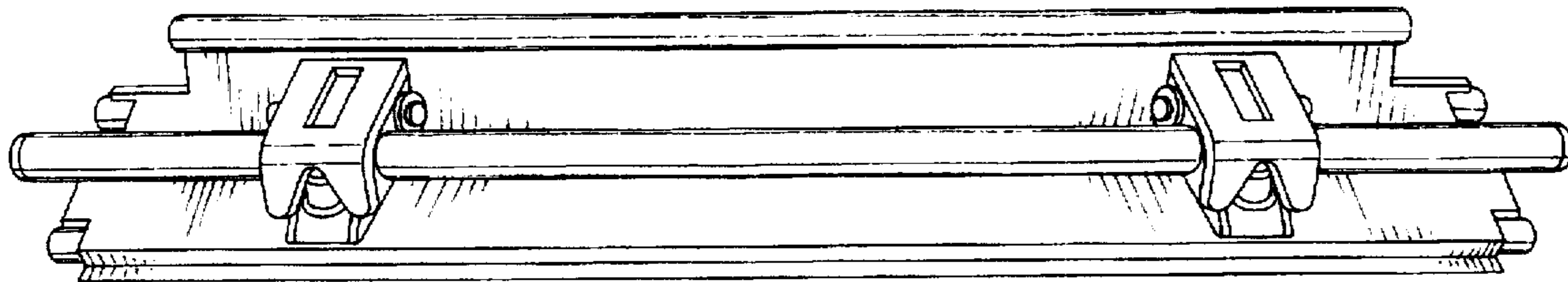
FIG. 1 is a perspective view from above showing my new design for a shutter rail;

FIG. 2 is another perspective view thereof from below;

FIG. 3 is another perspective thereof from the front and one side; and,

FIG. 4 is yet another perspective view thereof from one end.

**1 Claim, 2 Drawing Sheets**



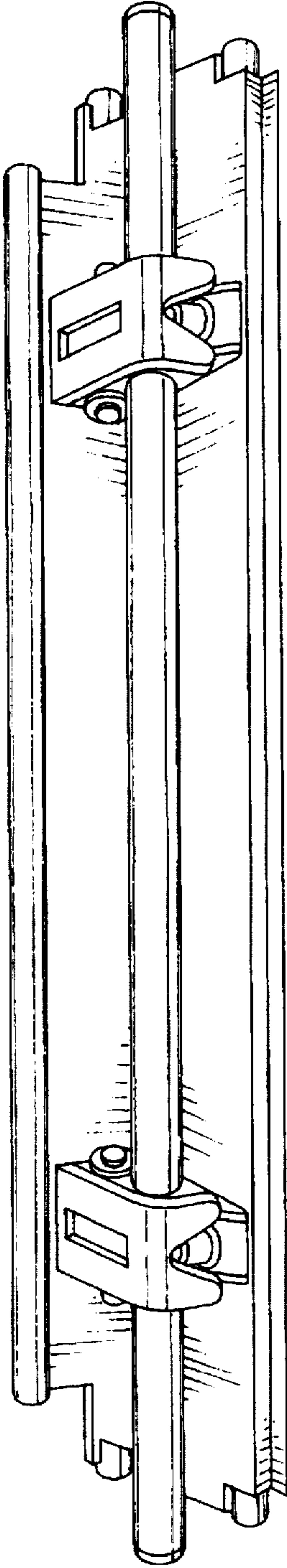


FIG. 1

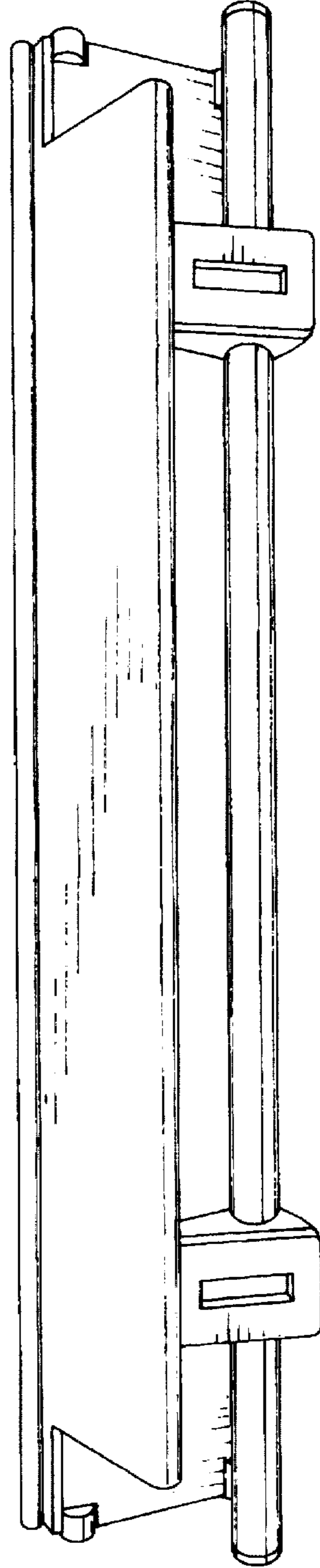


FIG. 2

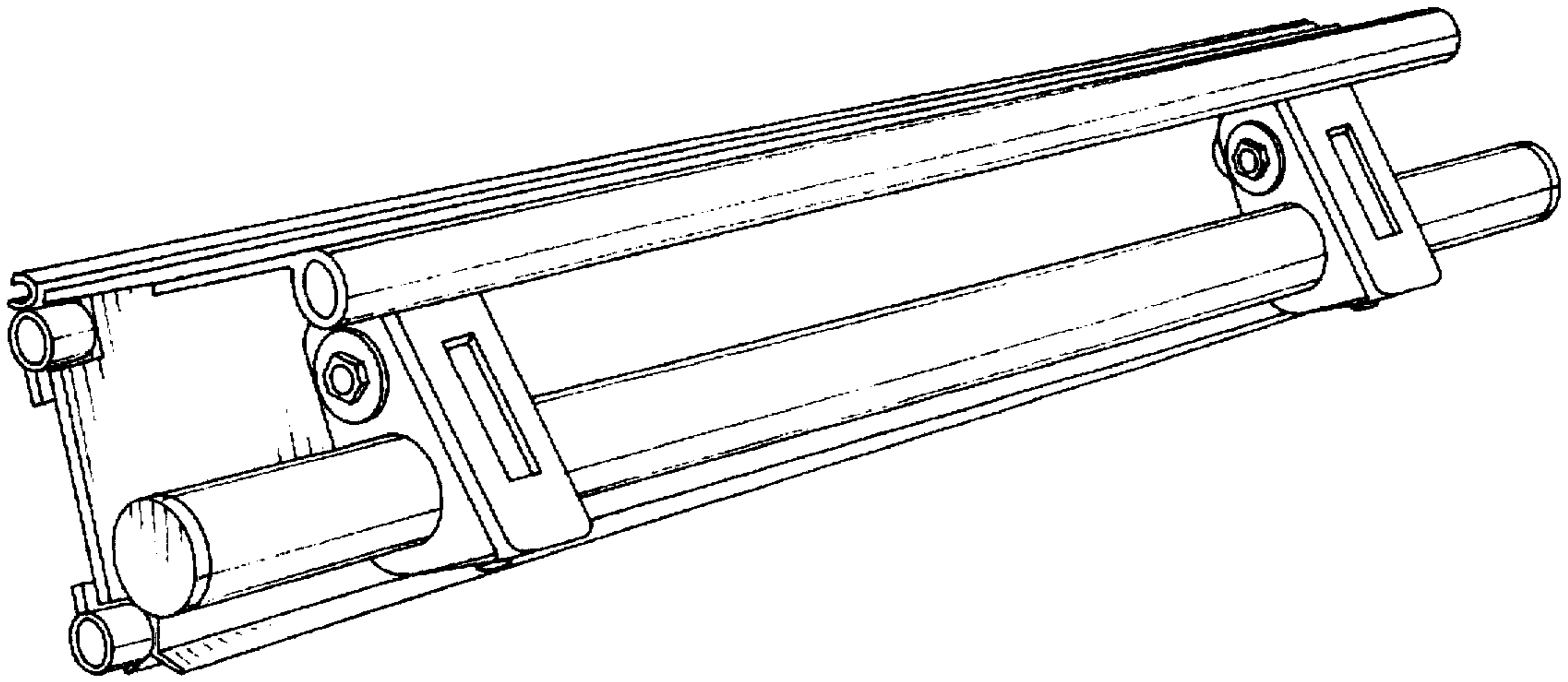


FIG. 3

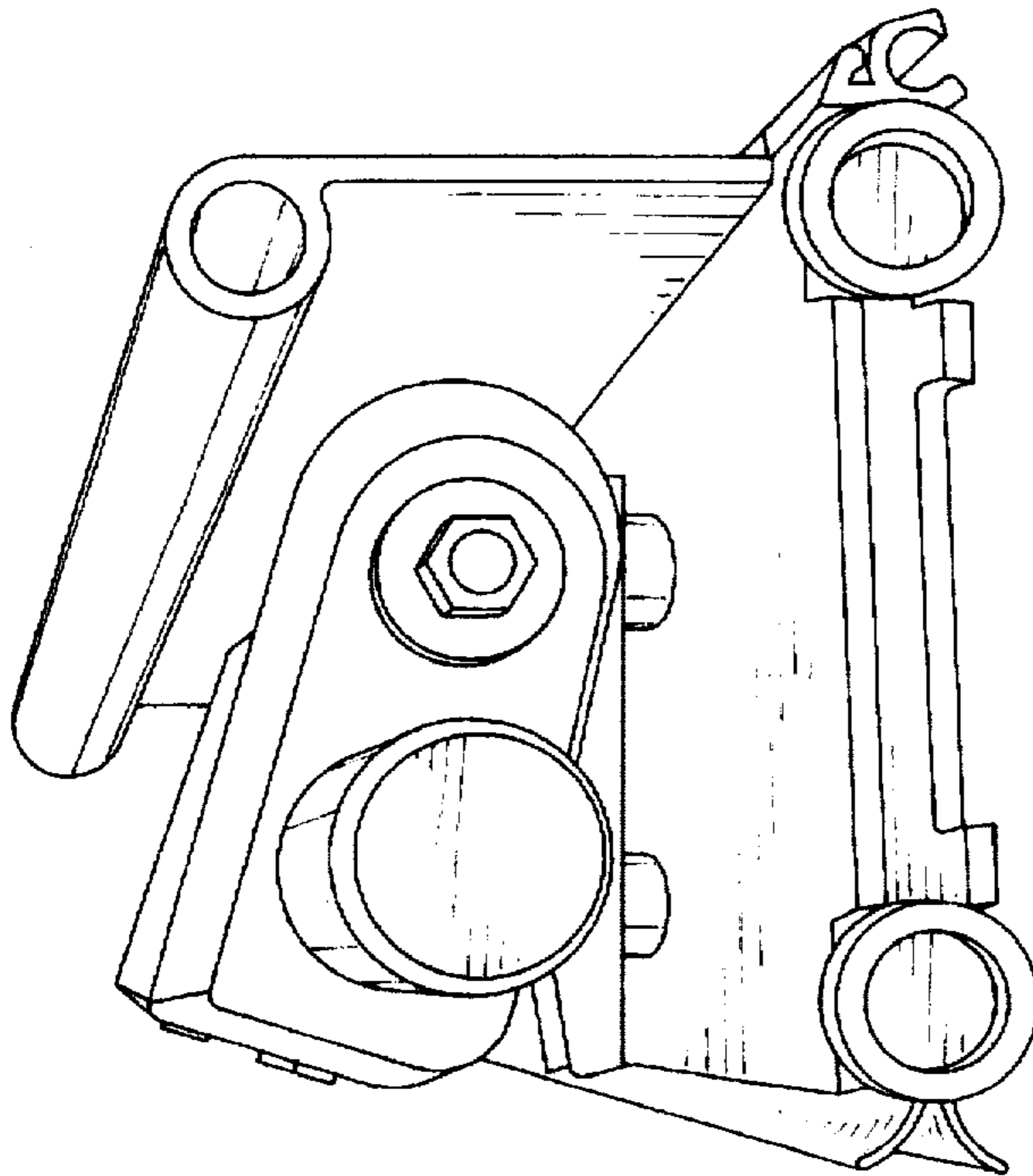


FIG. 4