



US00D393075S

United States Patent [19]

Allegre

[11] Patent Number: **Des. 393,075**

[45] Date of Patent: ****Mar. 31, 1998**

[54] **COLLAR FOR BABY'S BOTTLE** .
 2,986,296 5/1961 Bannister et al. 215/11.1
 5,480,043 1/1996 Wingo 215/11.1

[75] Inventor: **Jean-Paul Allegre**, Saint-Etienne
 Cedex, France

[73] Assignee: **Allegre Puericulture Hygiene S.A.**,
 Saint-Etienne Cedex, France

[**] Term: **14 Years**

[21] Appl. No.: **56,897**

[22] Filed: **Jul. 11, 1996**

[30] **Foreign Application Priority Data**
 Jan. 11, 1996 [FR] France 96 0242

[51] **LOC (6) Cl.** **07-01**

[52] **U.S. Cl.** **D24/197**

[58] **Field of Search** D24/197; 215/11.1,
 215/11.2, 11.3, 11.4, 11.5, 11.6

[56] **References Cited**

U.S. PATENT DOCUMENTS

D. 310,719 9/1990 Donovan D24/197
 D. 371,847 7/1996 Francisco D24/197

Primary Examiner—Stella Reid
Attorney, Agent, or Firm—Eckert Seamans Cherin &
 Mellott

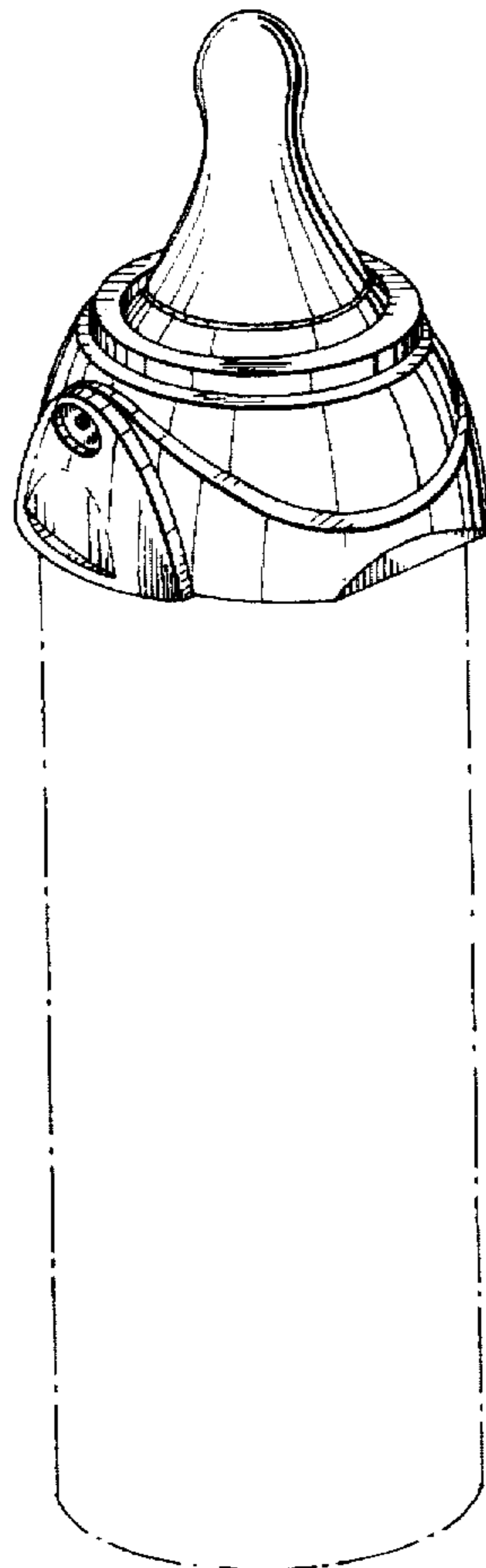
[57] CLAIM

The ornamental design for a collar for baby's bottle, as shown and described.

DESCRIPTION

FIG. 1 is a perspective view showing the ornamental design of a collar for baby's bottle;
 FIG. 2 is a top plan view thereof;
 FIG. 3 is a front elevational view thereof;
 FIG. 4 is an elevational view of one of the sides thereof;
 FIG. 5 is a rear elevational view thereof;
 FIG. 6 is an elevational view of another of the sides thereof;
 FIG. 7 is a bottom view thereof; and,
 FIG. 8 is a side view similar to FIG. 6, but with a cover shown in broken lines received on the collar.
 The broken line showing of the baby bottle in FIG. 1 and the cover in FIG. 8 is for illustrative purposes only and forms no part of the claimed design.

1 Claim, 2 Drawing Sheets



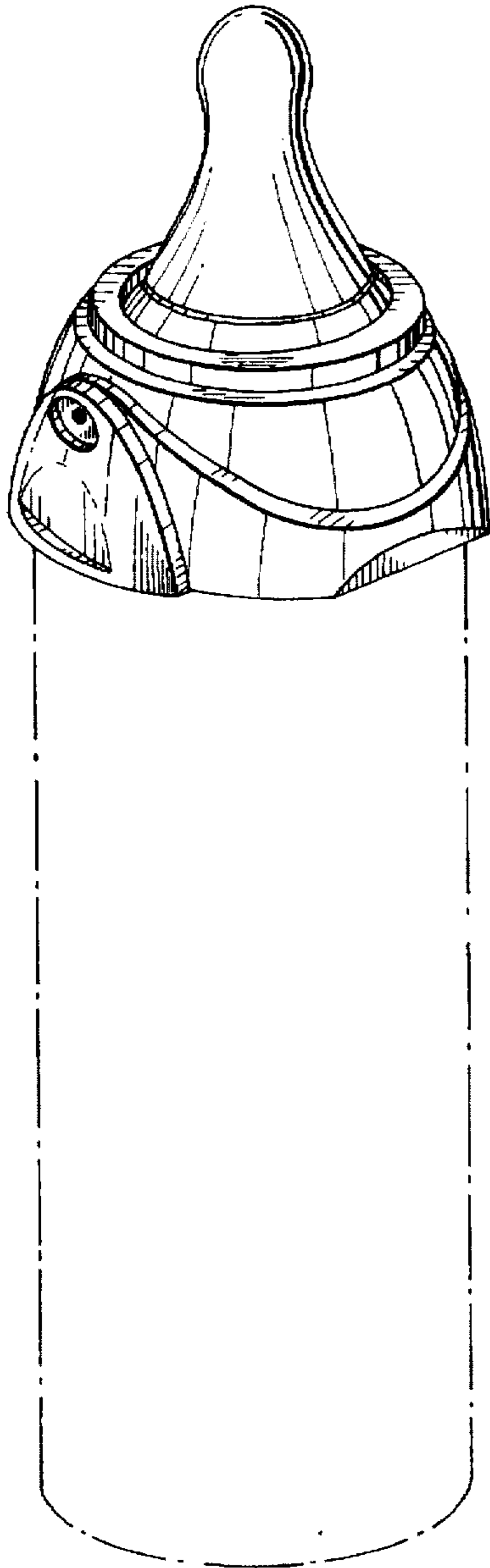


Fig. 1.

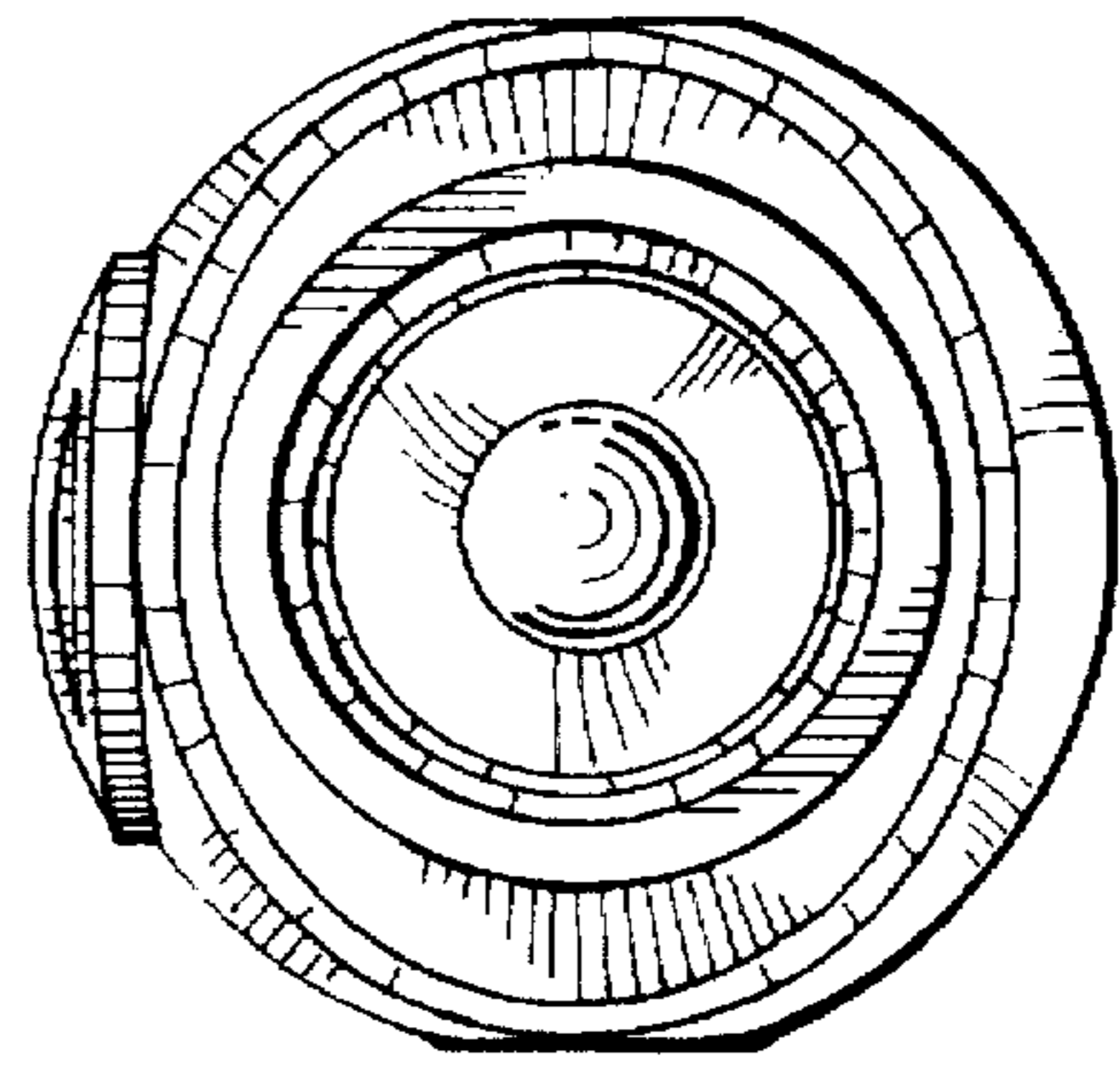


Fig. 2.

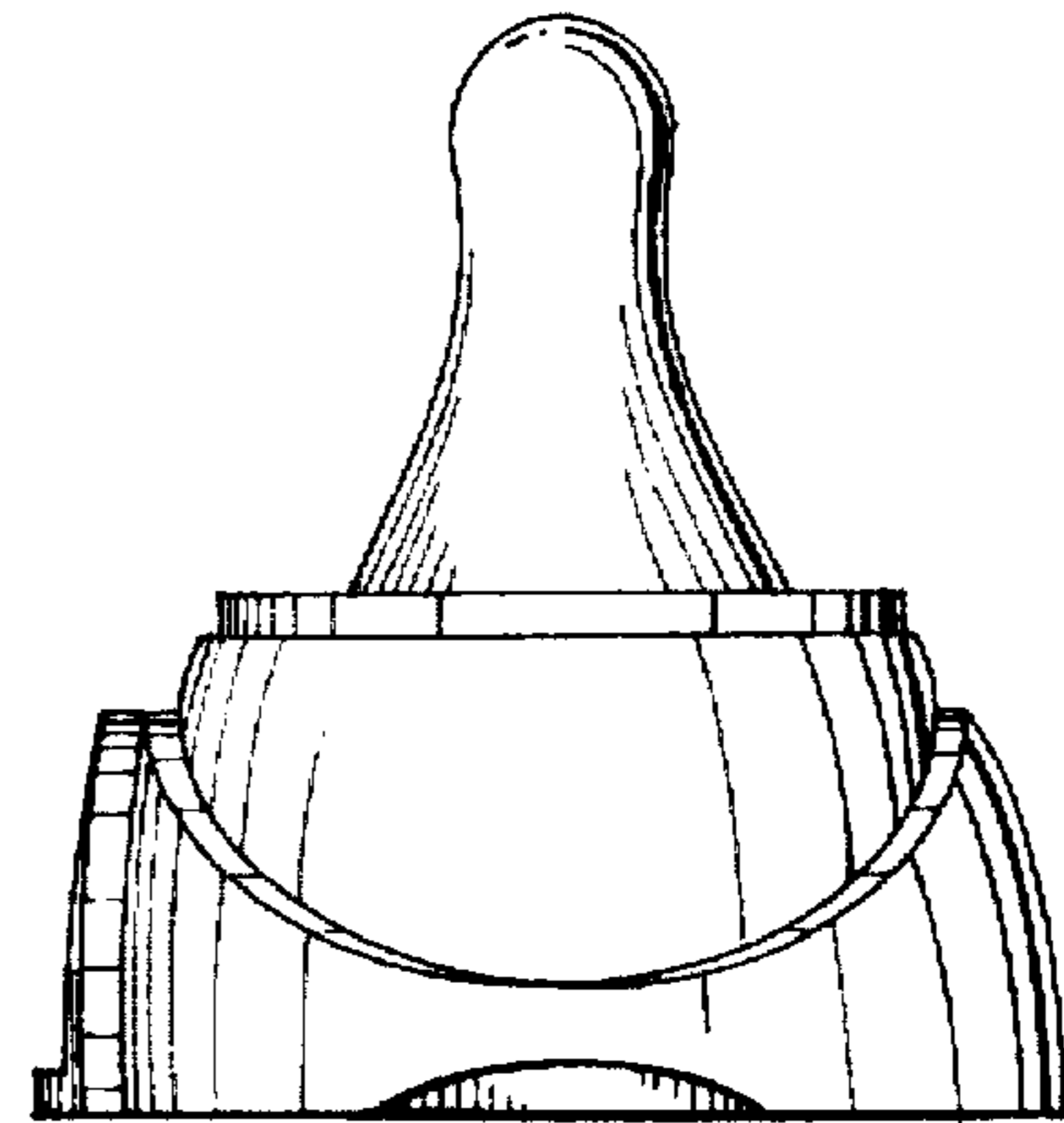


Fig. 3.

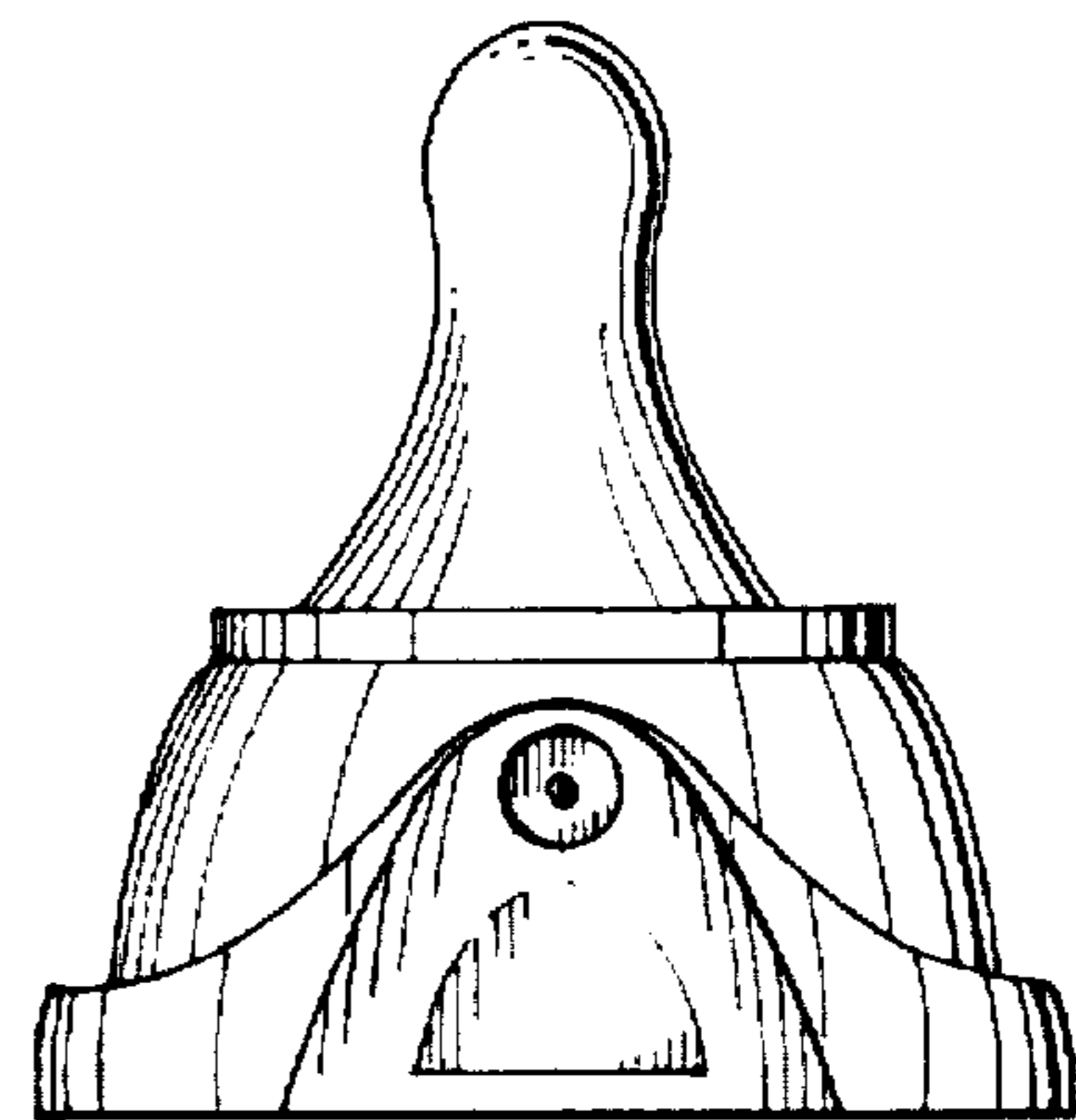


Fig. 4.

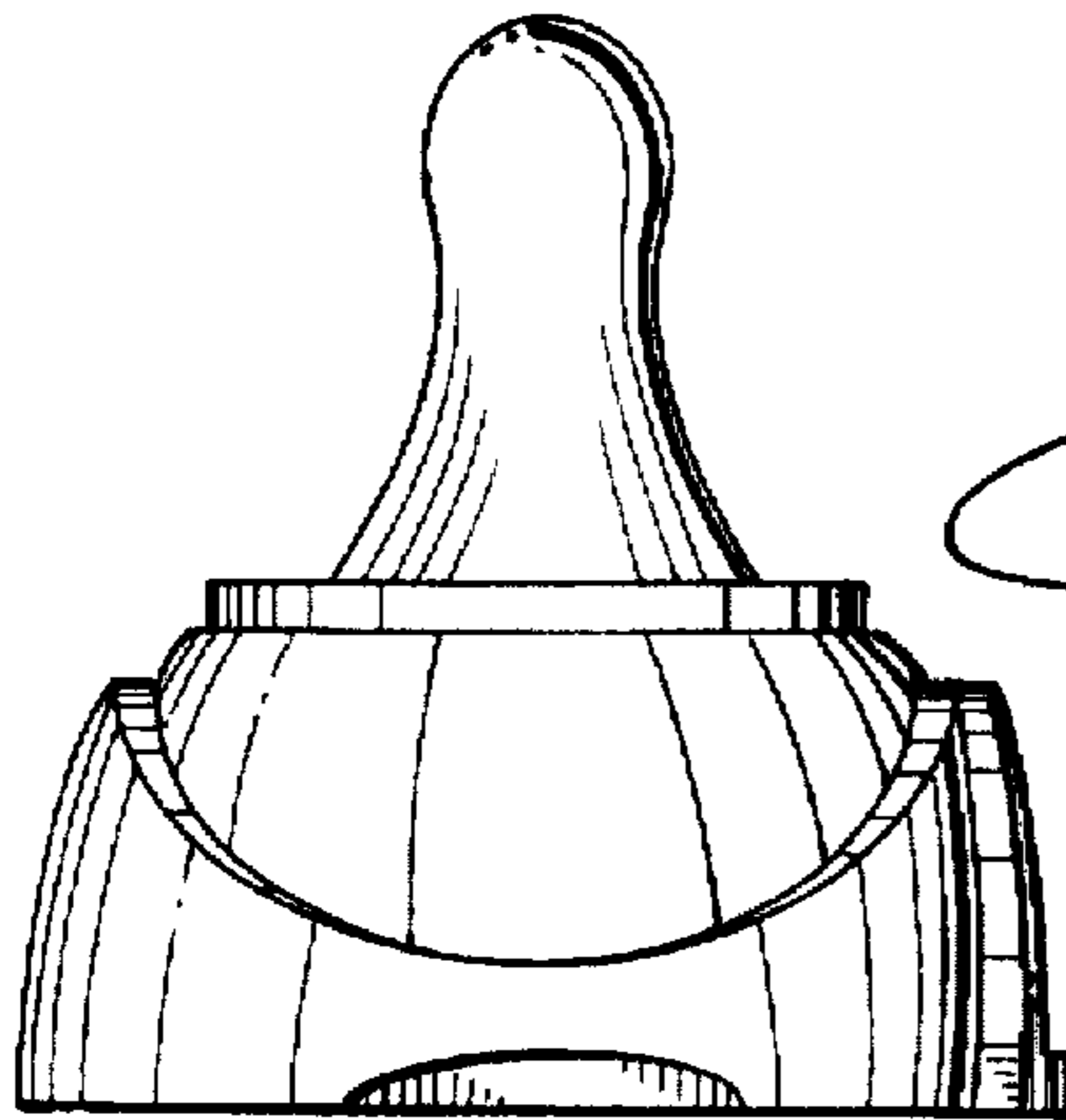


Fig. 5.

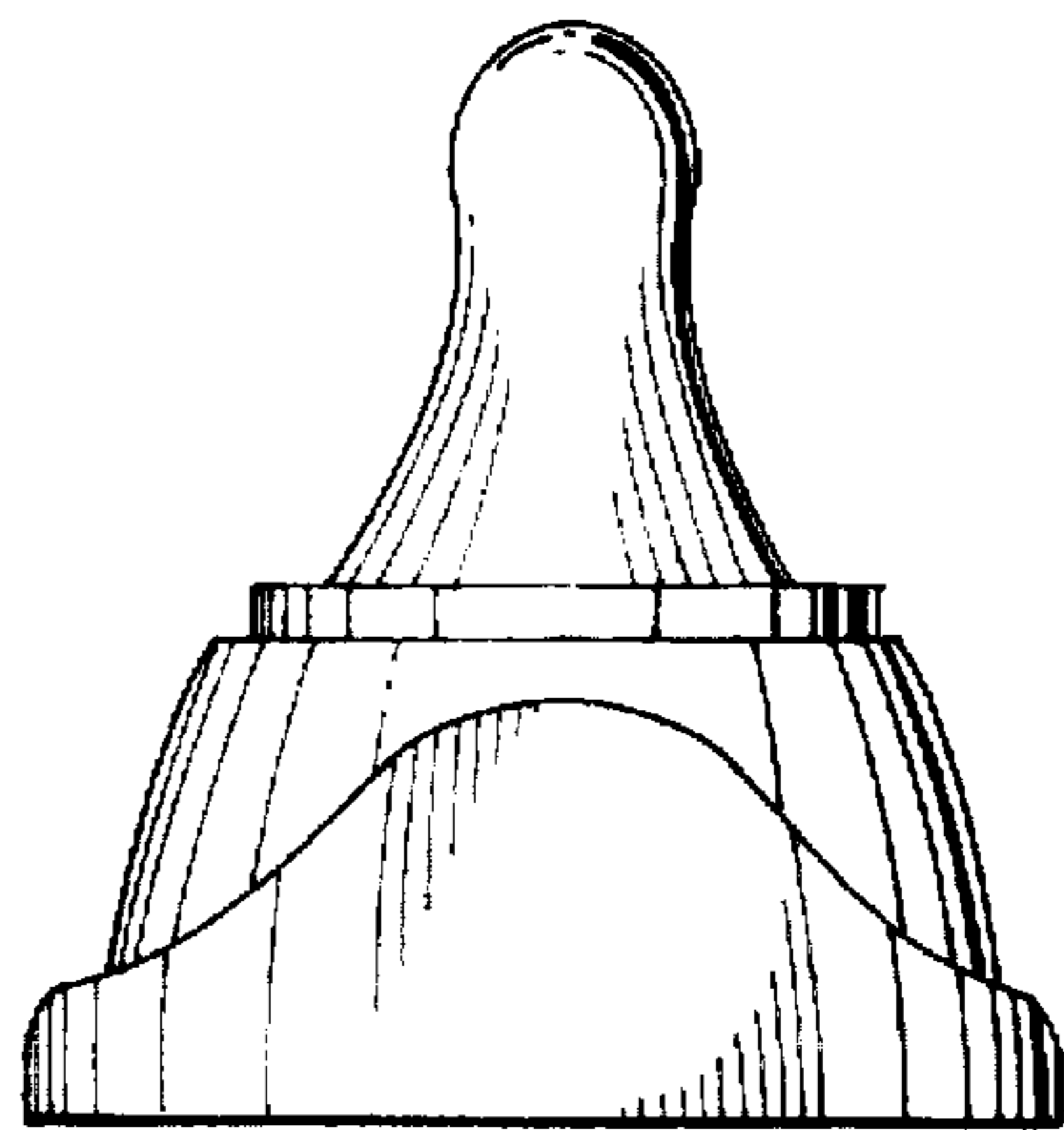


Fig. 6.

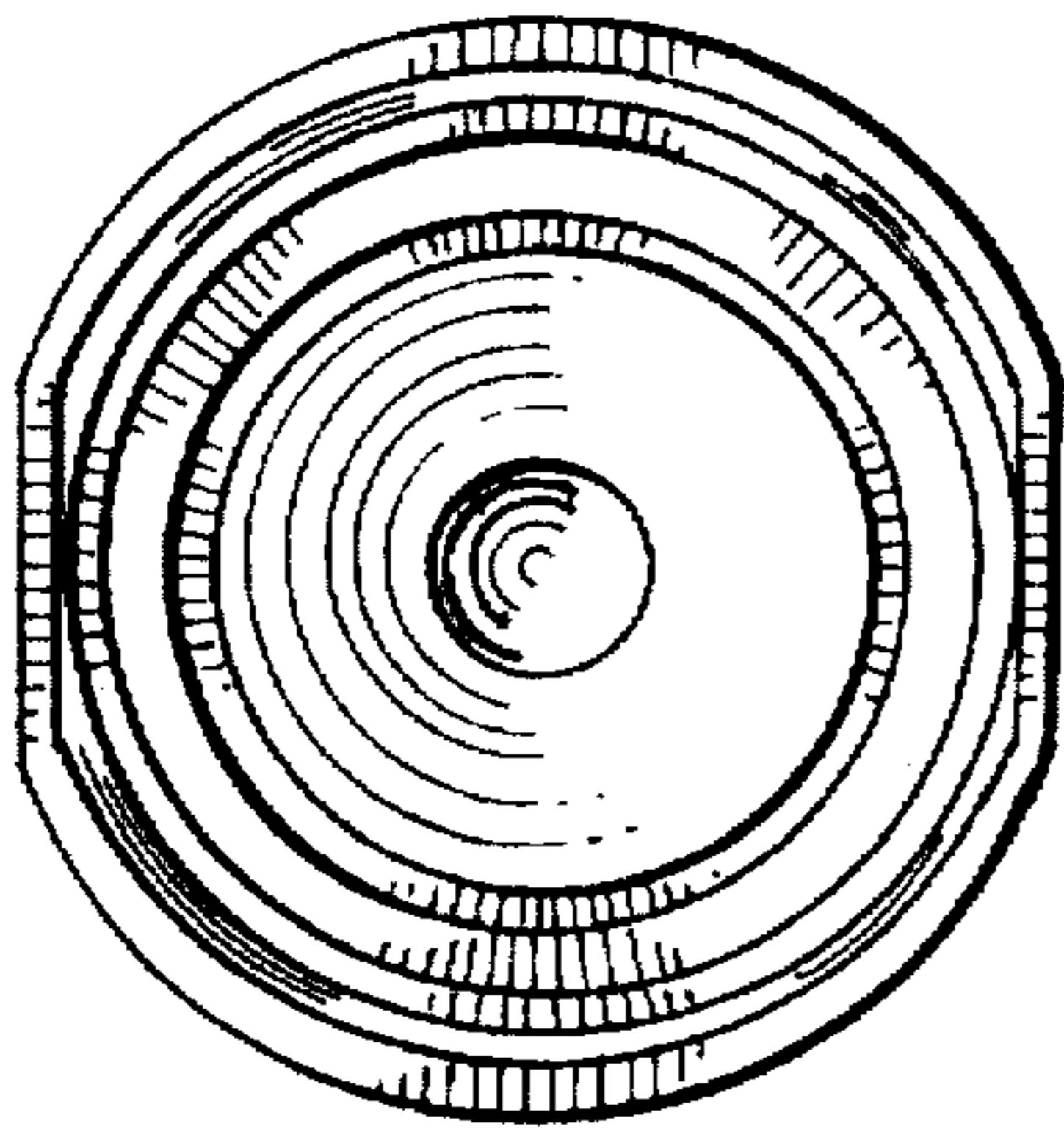


Fig. 7.

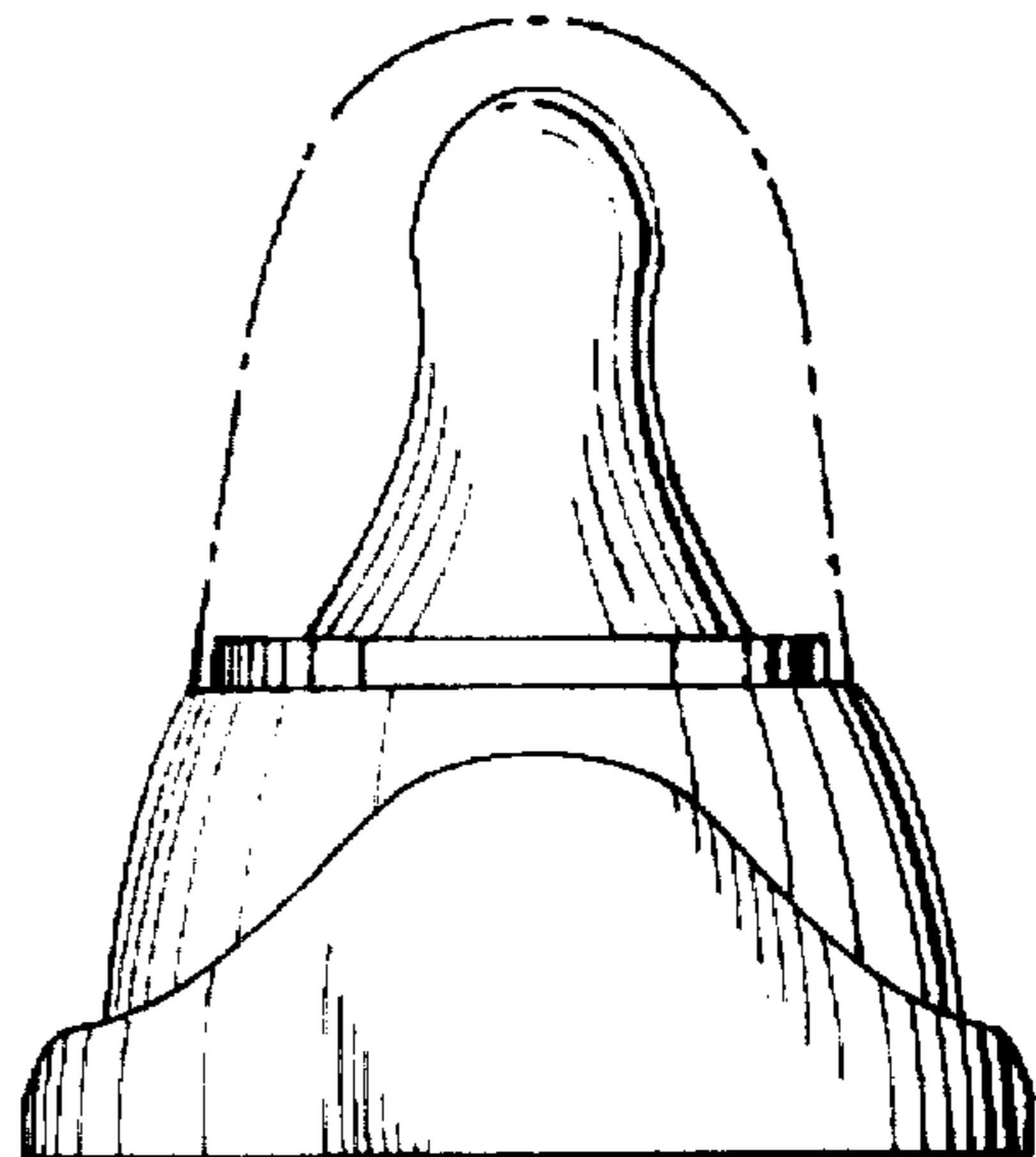


Fig. 8.