

US00D393072S

United States Patent [19]
Rogler

[11] **Patent Number: Des. 393,072**
[45] **Date of Patent: **Mar. 31, 1998**

[54] **PORTABLE MEDICAL MONITOR WITH
DISPLAY AND MOUNTED MEDICAL
MEASURING MODULE**

D. 328,645 8/1992 Rogler et al. D24/186
D. 340,769 10/1993 Bloom et al. D24/165
D. 381,749 7/1997 Lawrence et al. D24/169

[75] **Inventor: Dietrich Rogler, Horb, Germany**
[73] **Assignee: Hewlett-Packard Company, Palo Alto,
Calif.**
[**] **Term: 14 Years**

Primary Examiner—Stella Reid

[21] **Appl. No.: 67,294**
[22] **Filed: Mar. 3, 1997**

[57] **CLAIM**

The ornamental design for a portable medical monitor with display and mounted medical measuring module, as shown and described.

[30] **Foreign Application Priority Data**
Sep. 10, 1996 [DE] Germany 96 07 777.8
[51] **LOC (6) Cl. 24-01**
[52] **U.S. Cl. D24/186**
[58] **Field of Search D24/186, 165,
D24/169; 128/630, 633, 670, 679, 696,
668, 700, 710, 712, 721**

DESCRIPTION

FIG. 1 is a front, right side perspective view of a portable medical monitor with display and mounted medical measuring module, showing my new design;
FIG. 2 is a front, left side perspective view thereof;
FIG. 3 is a rear, left side perspective view thereof; and,
FIG. 4 is a rear, right side perspective view thereof.
The bottom of the article is plain and unornamented.

[56] **References Cited**

U.S. PATENT DOCUMENTS

D. 238,890 2/1976 Sokol D24/186

1 Claim, 4 Drawing Sheets

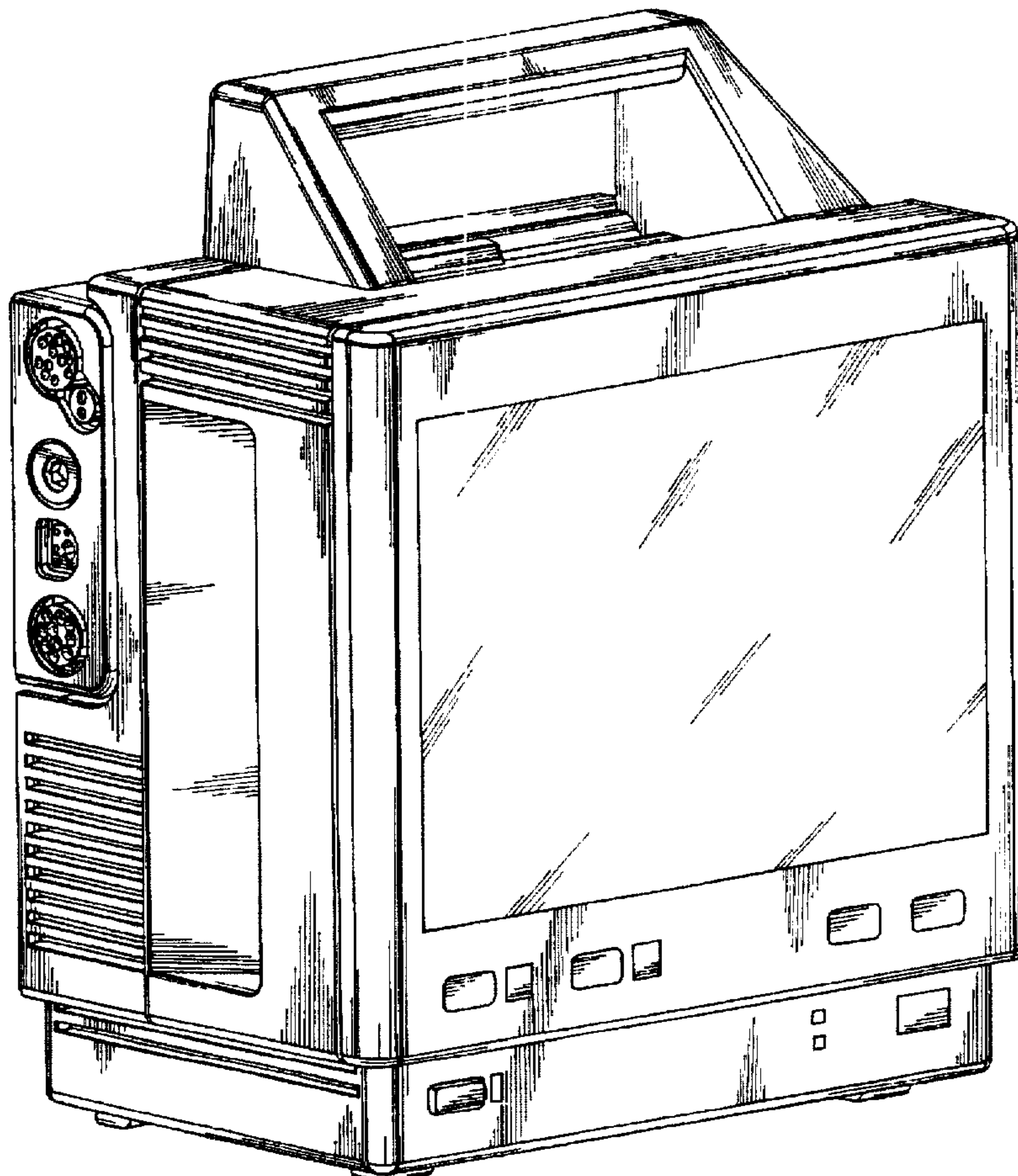


FIG. 1.

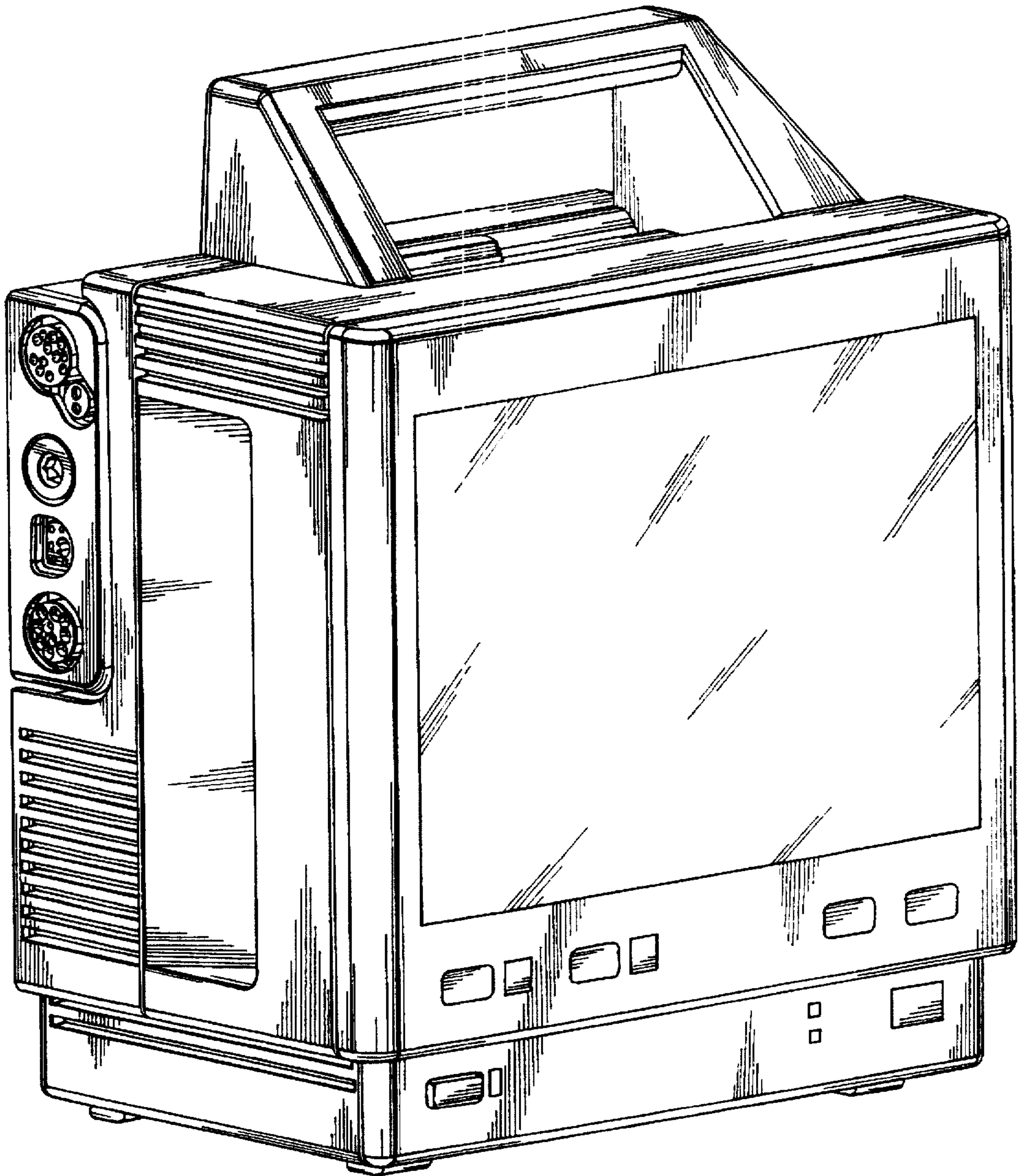


FIG. 2.

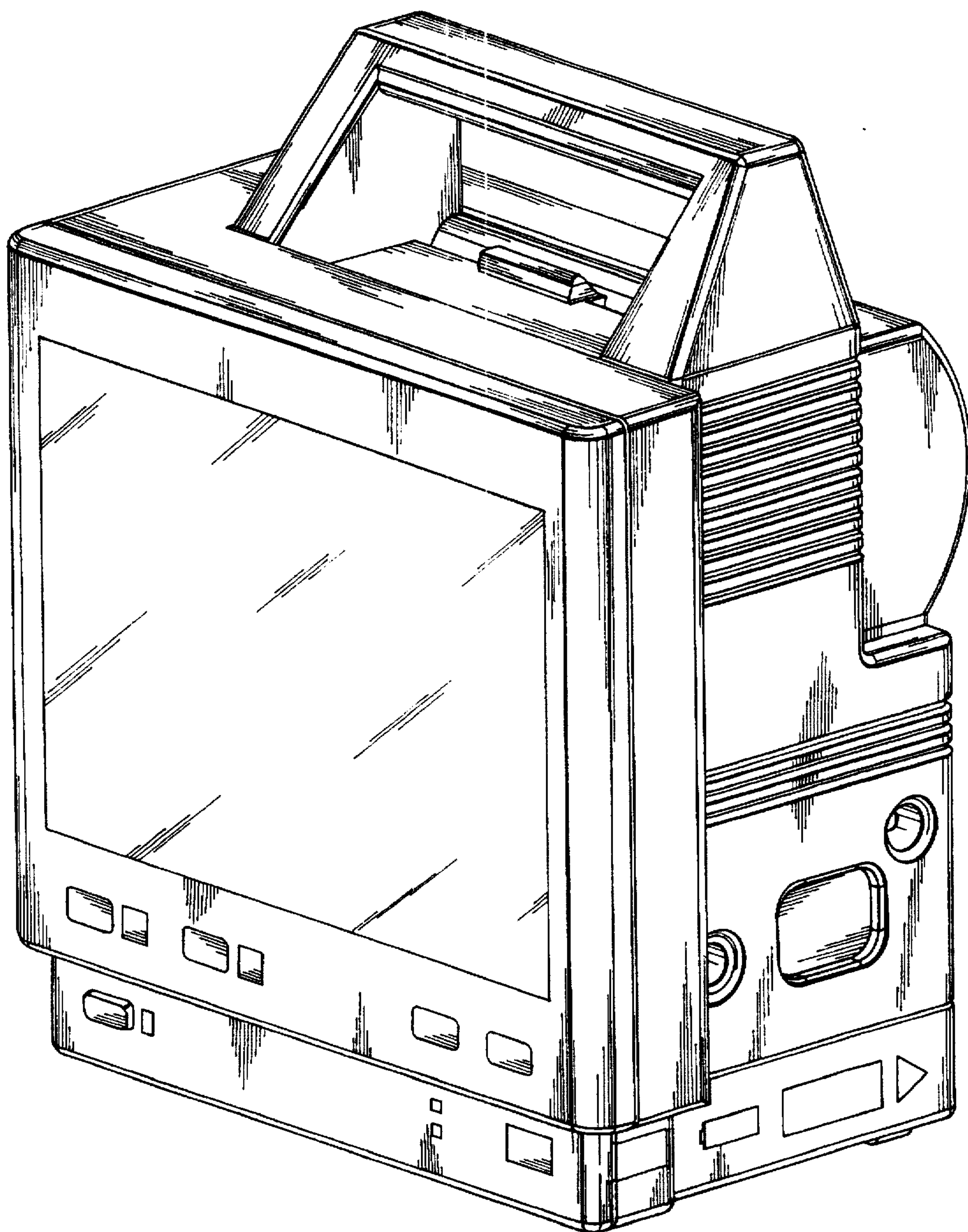


FIG. 3.

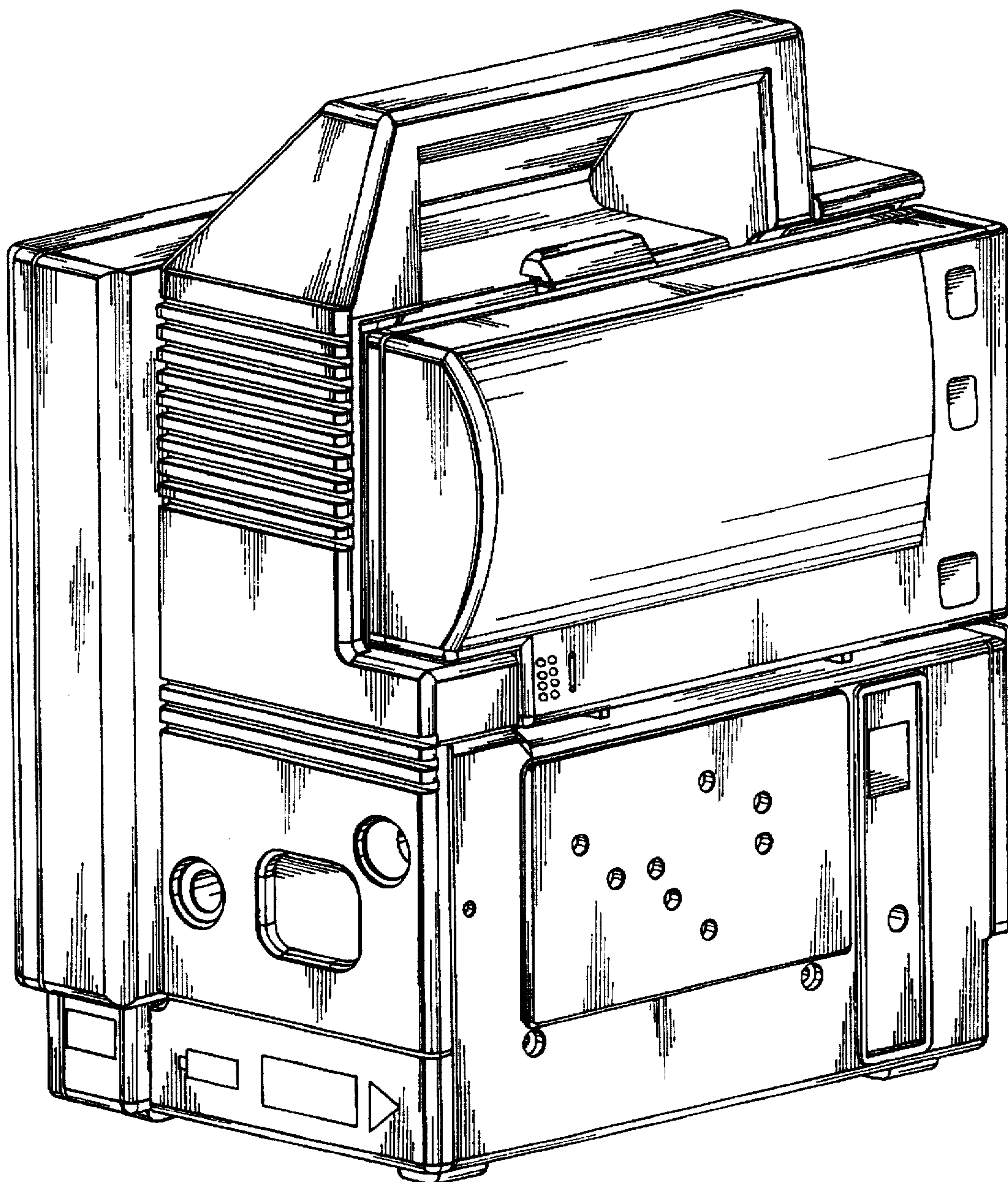


FIG. 4.

