



US00D393071S

United States Patent [19]
Kenmemore

[11] **Patent Number: Des. 393,071**
[45] **Date of Patent: **Mar. 31, 1998**

[54] **SURGICAL PATIENT SUPPORT CUSHION**

[75] **Inventor: Douglas E. Kenmemore, Greenville, S.C.**

[73] **Assignee: Span-America Medical Systems, Inc., Greenville, S.C.**

[**] **Term: 14 Years**

[21] **Appl. No.: 18,024**

[22] **Filed: Jan. 27, 1994**

[51] **LOC (6) Cl. 24-01**

[52] **U.S. Cl. D24/183**

[58] **Field of Search D24/183, 184; 5/465, 464, 461, 455, 468, 481, 652, 448**

4,214,326	7/1980	Spann .
4,471,952	9/1984	Spann .
4,603,445	8/1986	Spann .
4,726,087	2/1988	Schaefer et al. .
4,832,007	5/1989	Davis, Jr. et al. .
4,862,538	9/1989	Spann et al. .
5,014,375	5/1991	Coonrad et al. .
5,086,529	2/1992	DeGroot 5/465

Primary Examiner—Stella Reid
Attorney, Agent, or Firm—Dority & Manning

[57] **CLAIM**

The ornamental design of a surgical patient support cushion, as shown and described.

DESCRIPTION

FIG. 1 is a front elevational view of a surgical patient support cushion embodying the design of the present invention; FIG. 2 is a right side elevational view thereof, which is identical in appearance to the reverse of the left side elevational view thereof; FIG. 3 is a back elevational view thereof; FIG. 4 is a top elevational view thereof; FIG. 5 is a bottom elevational view thereof; and, FIG. 6 is a perspective view thereof.

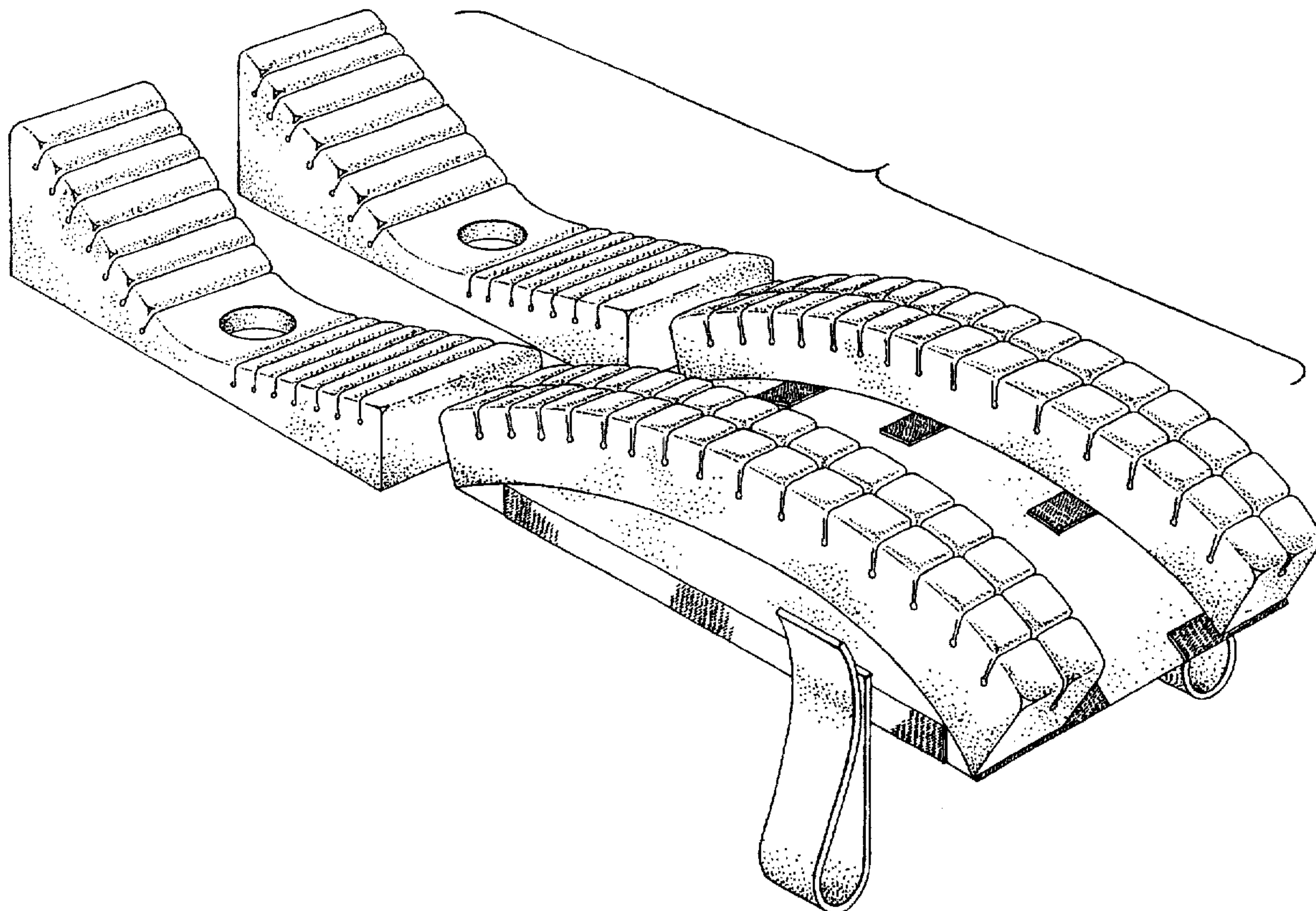
The use of stippling is intended to represent that the leg support cushions and body support cushions are primarily constructed of foam or a like resilient material and does not form a surface feature of the design.

1 Claim, 5 Drawing Sheets

[56] **References Cited**

U.S. PATENT DOCUMENTS

- D. 307,687 5/1990 Raburn .
- D. 307,688 5/1990 Schaefer .
- D. 307,689 5/1990 Schaefer .
- D. 307,690 5/1990 Raburn .
- D. 322,907 1/1992 Raburn .
- D. 326,976 6/1992 Wickis, Jr. et al. .
- D. 336,400 6/1993 Mitchell et al. .
- 3,931,654 1/1976 Spann .
- 3,938,205 2/1976 Spann .
- 4,135,504 1/1979 Spann .
- 4,185,813 1/1980 Spann .
- 4,210,317 7/1980 Spann et al. .



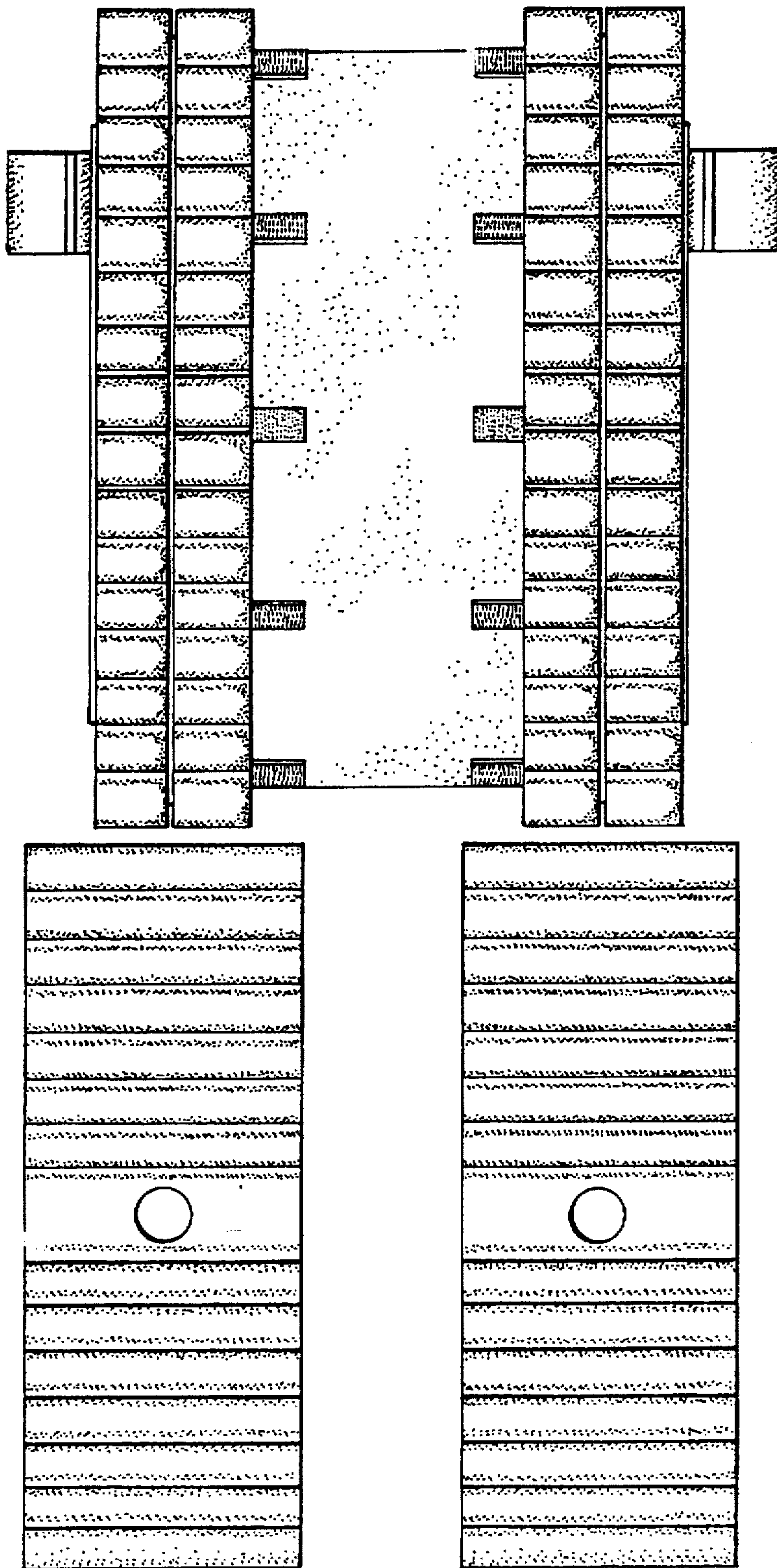


Fig. 1

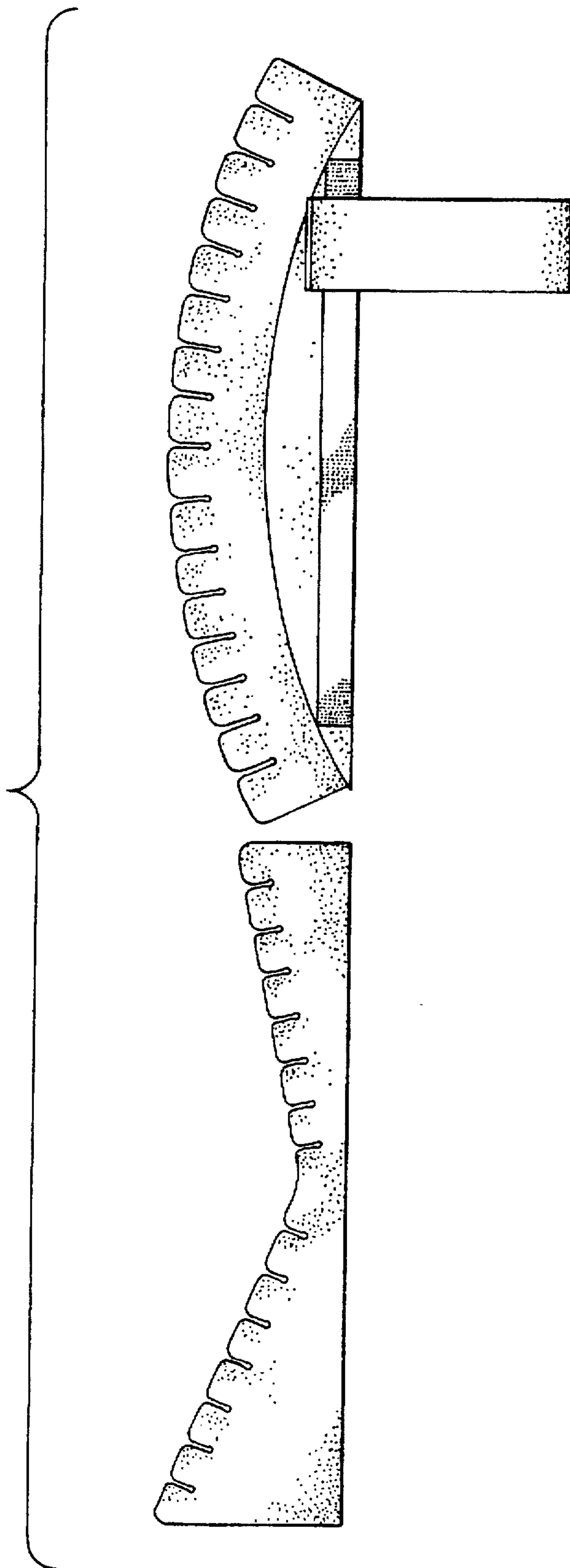


Fig. 2

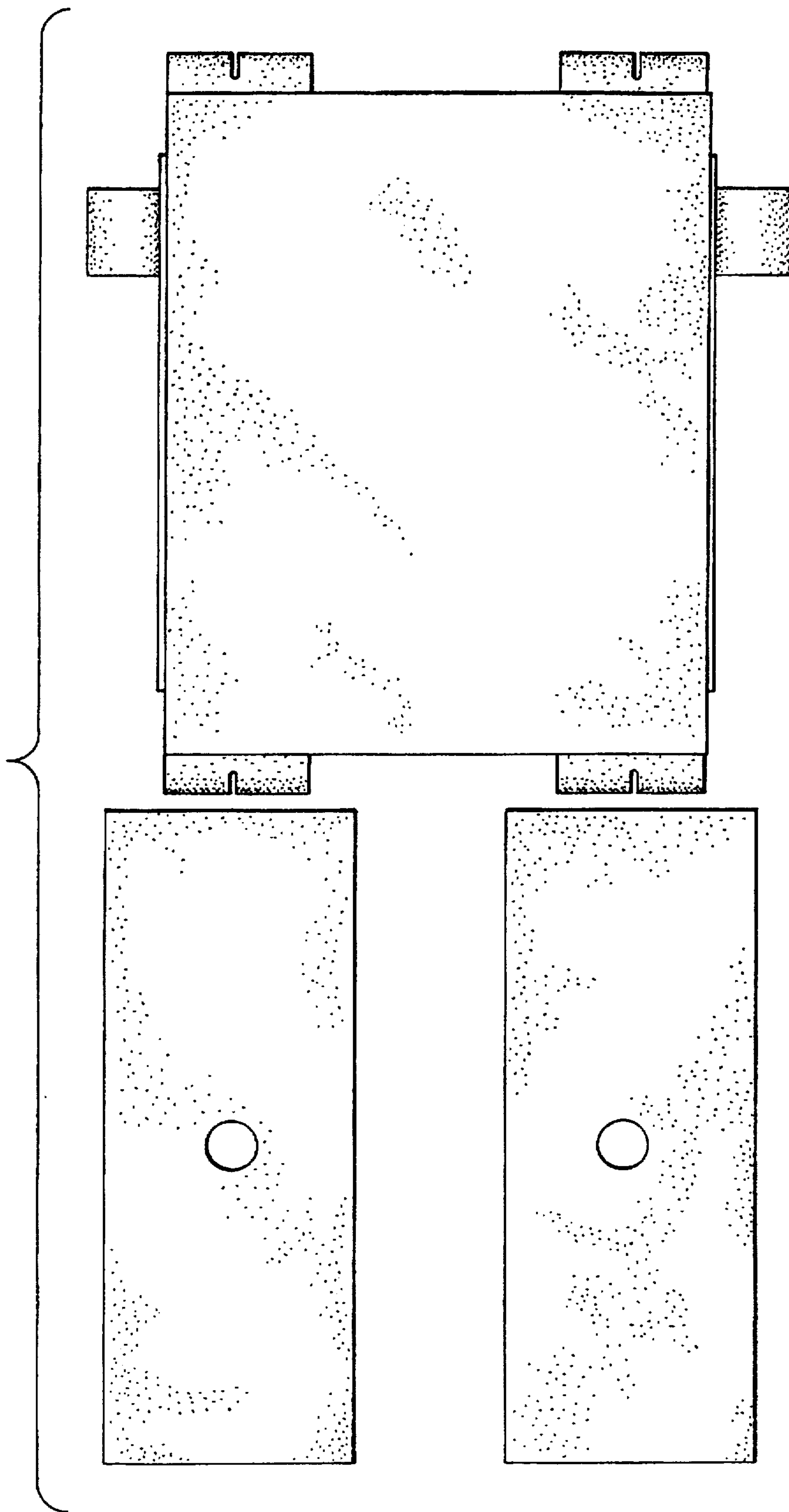


Fig. 3

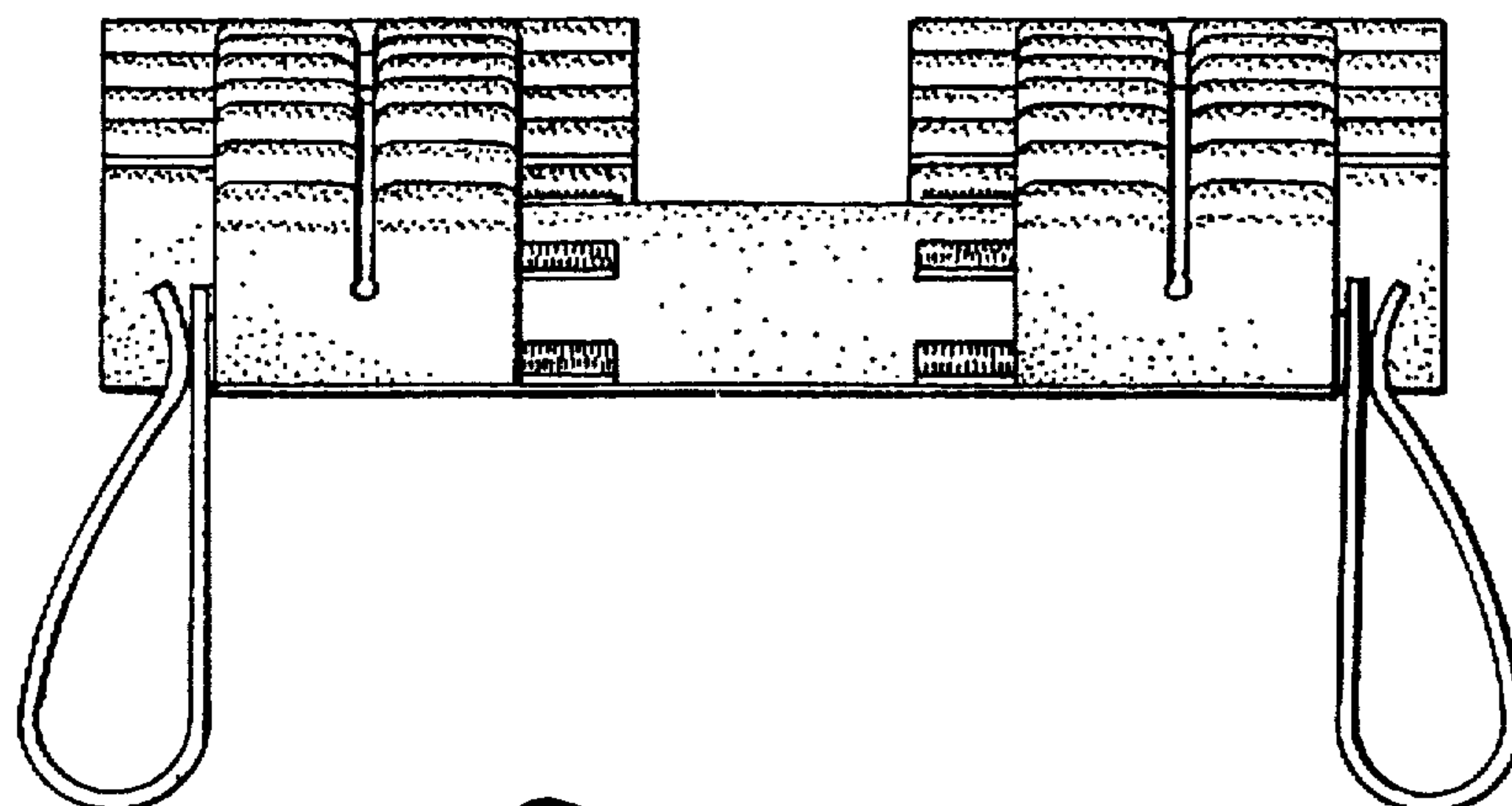


Fig. 4

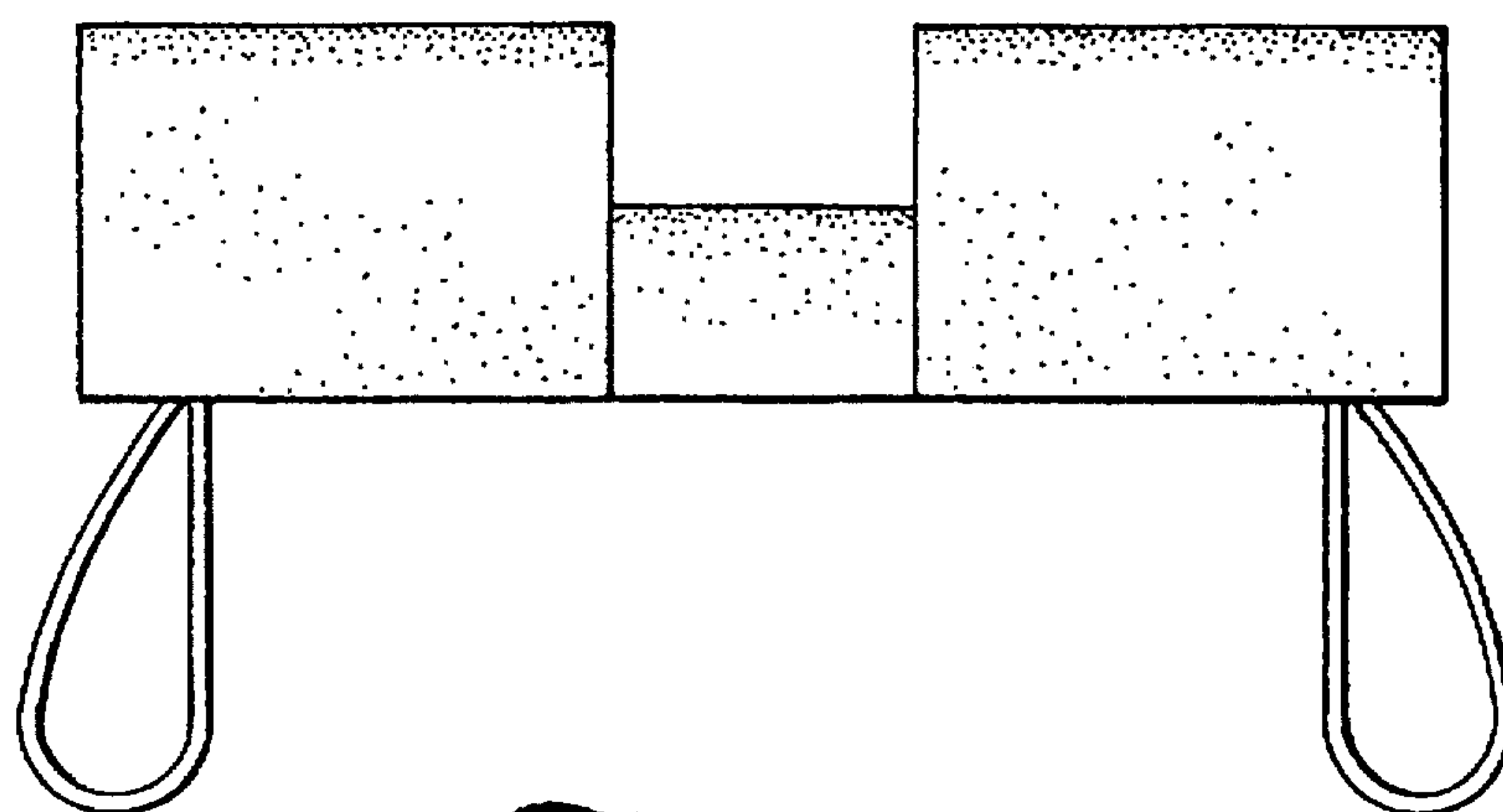


Fig. 5

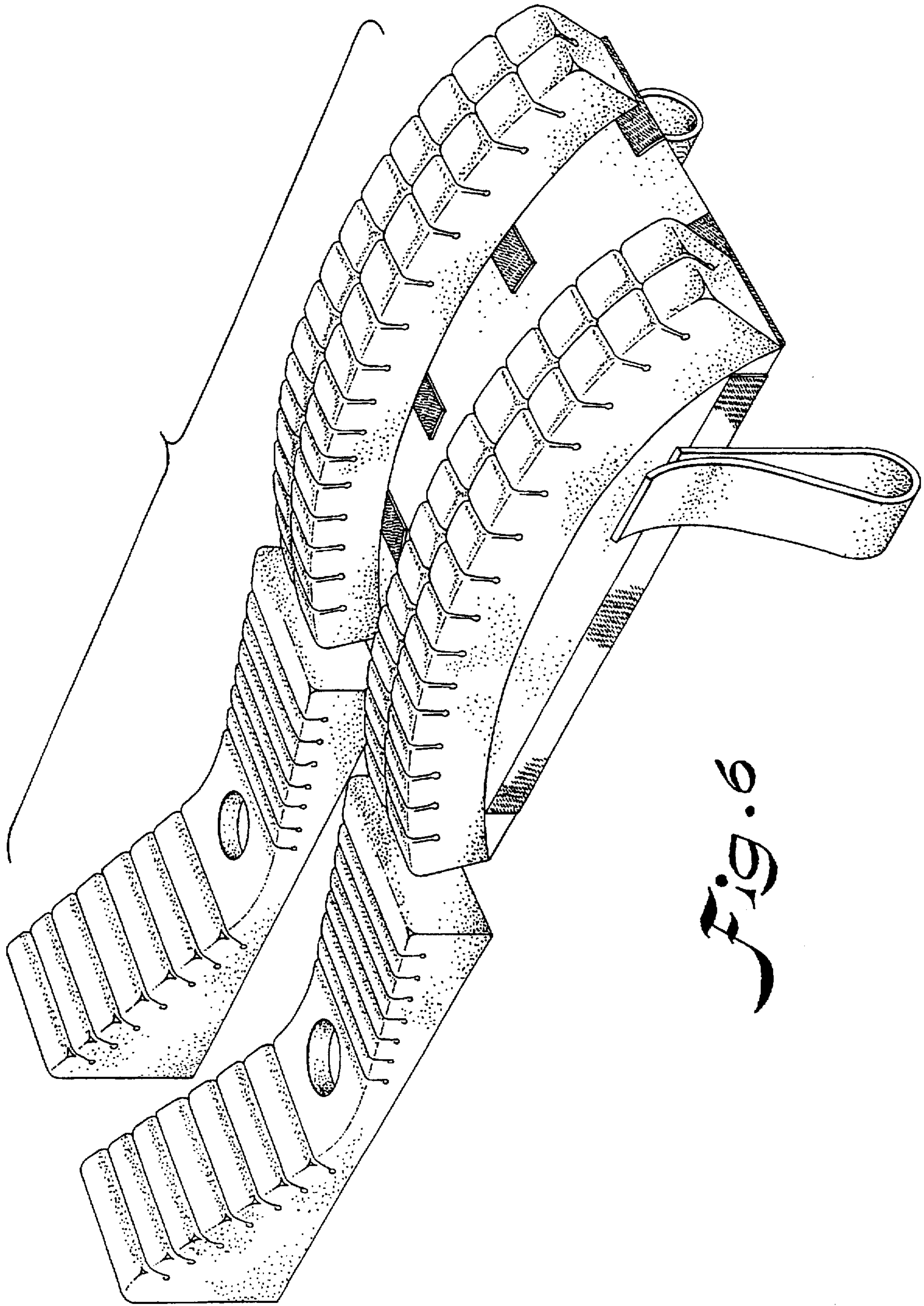


Fig. 6