

US00D393070S

United States Patent [19]
Gosnell

[11] **Patent Number: Des. 393,070**
[45] **Date of Patent: **Mar. 31, 1998**

[54] **STEREO PHOTOGRAPHIC ADAPTOR FOR USE WITH A CAMERA USED BY OPHTHALMOLOGISTS AND EYE SPECIALISTS FOR PHOTOGRAPHING THE EYE OR RETINA**

[76] **Inventor: G. Robert Gosnell, 17950 E. 39th St., Independence, Mo. 64055**

[**] **Term: 14 Years**

[21] **Appl. No.: 58,847**

[22] **Filed: Aug. 26, 1996**

[51] **LOC (6) CL 24-01**

[52] **U.S. Cl. D24/172**

[58] **Field of Search D24/172; 351/205, 351/206, 219; D14/114**

[56] **References Cited**

U.S. PATENT DOCUMENTS

4,018,514	4/1977	Plummer	351/206
4,168,702	9/1979	Oshiro	128/6
4,378,147	3/1983	Fujita	351/205

Primary Examiner—Stella Reid
Attorney, Agent, or Firm—Spencer Fane Britt & Browne LLP

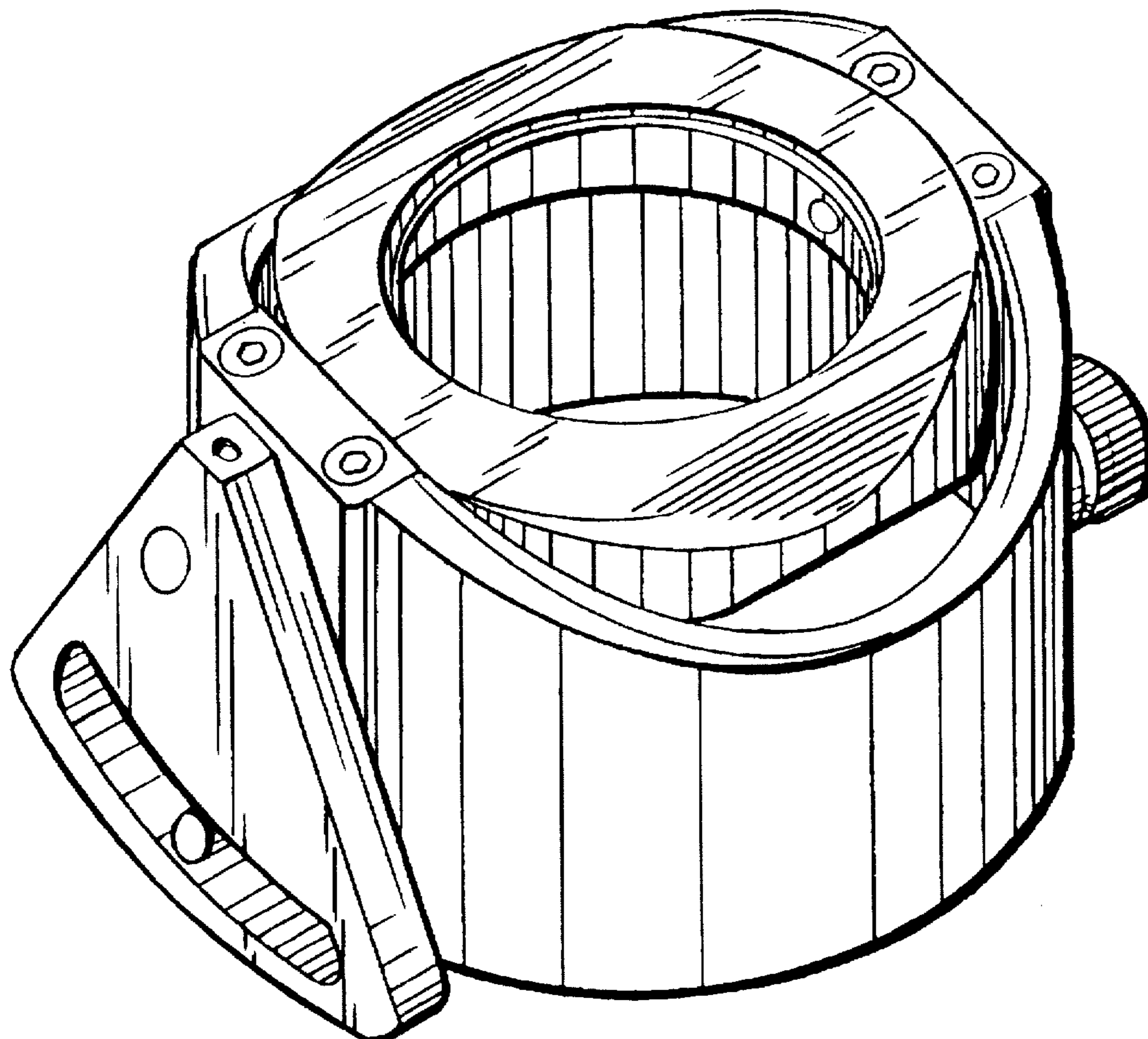
[57] **CLAIM**

The ornamental design for a a stereophotographic adaptor for use with a camera used by ophthalmologists and eye specialists for photographing the eye or retina, as shown and described.

DESCRIPTION

FIG. 1 is a top and right side perspective view of the a stereophotographic adaptor for use with a camera used by ophthalmologists and eye specialists for photographing the eye or retina showing my new design;
FIG. 2 is a top plan view thereof;
FIG. 3 is a bottom plan view thereof;
FIG. 4 is a right side elevational view thereof;
FIG. 5 is a left side elevational view thereof;
FIG. 6 is a front elevational view thereof; and,
FIG. 7 is a rear elevational view thereof.

1 Claim, 4 Drawing Sheets



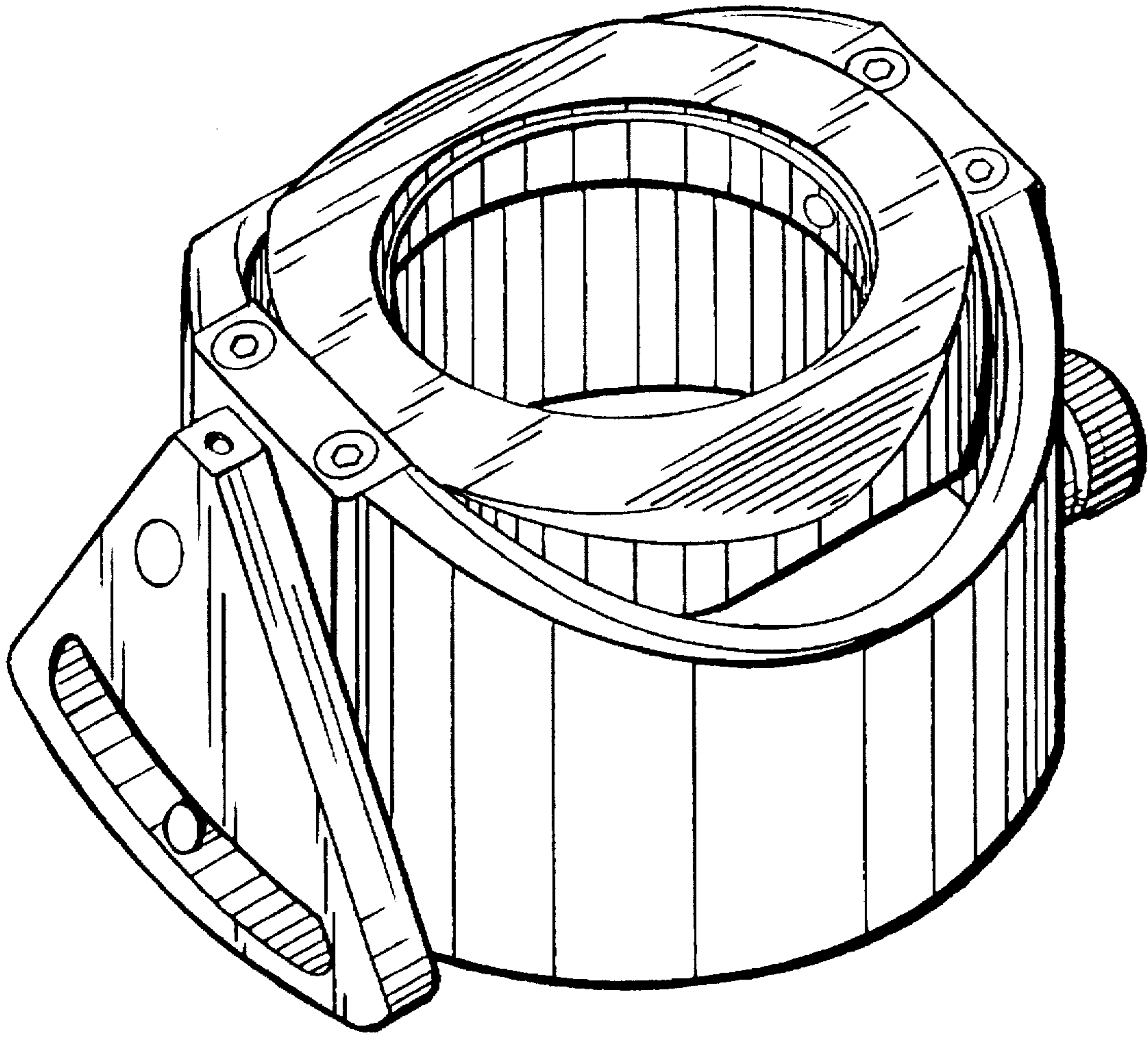


FIG. 1

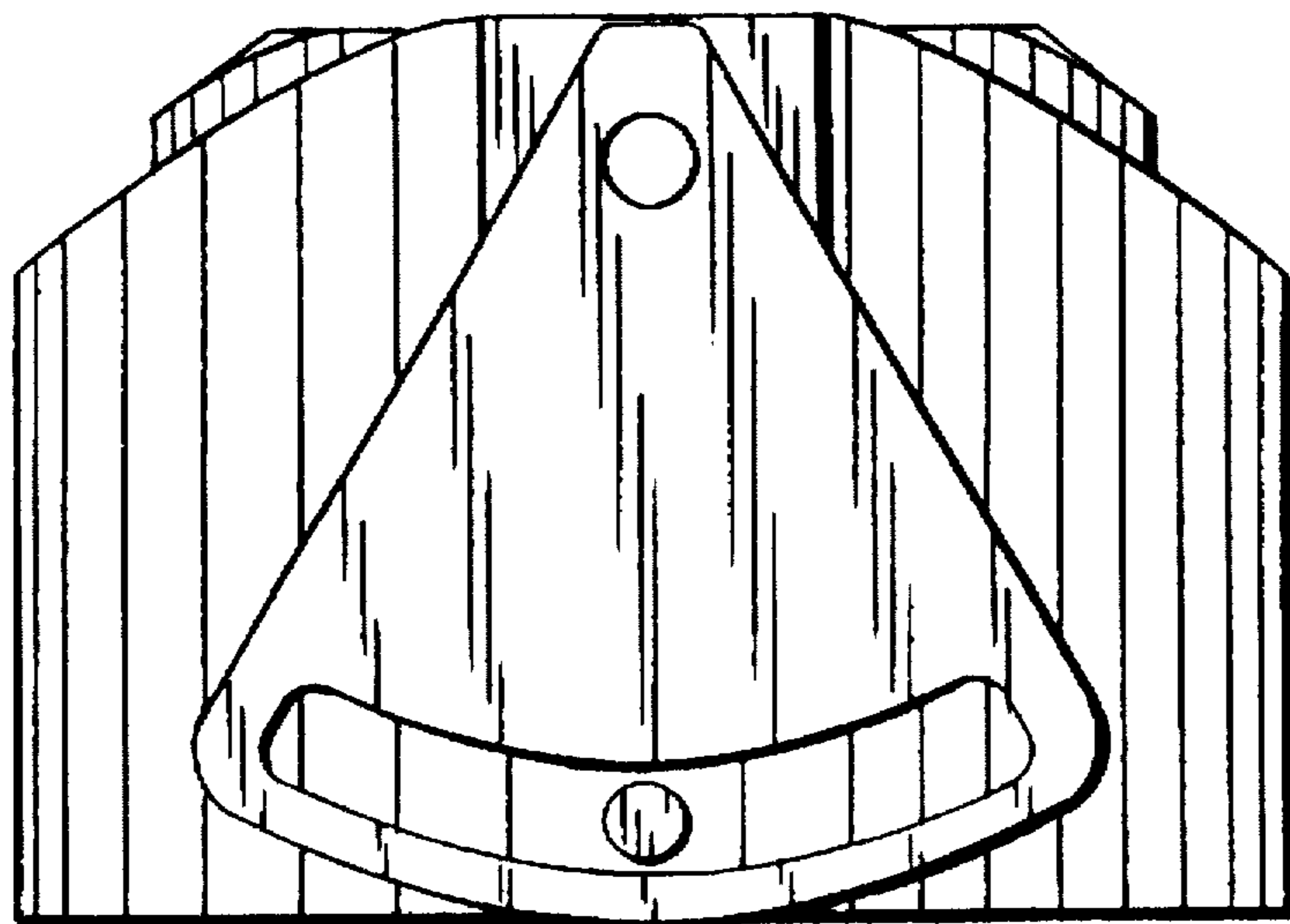


FIG. 2

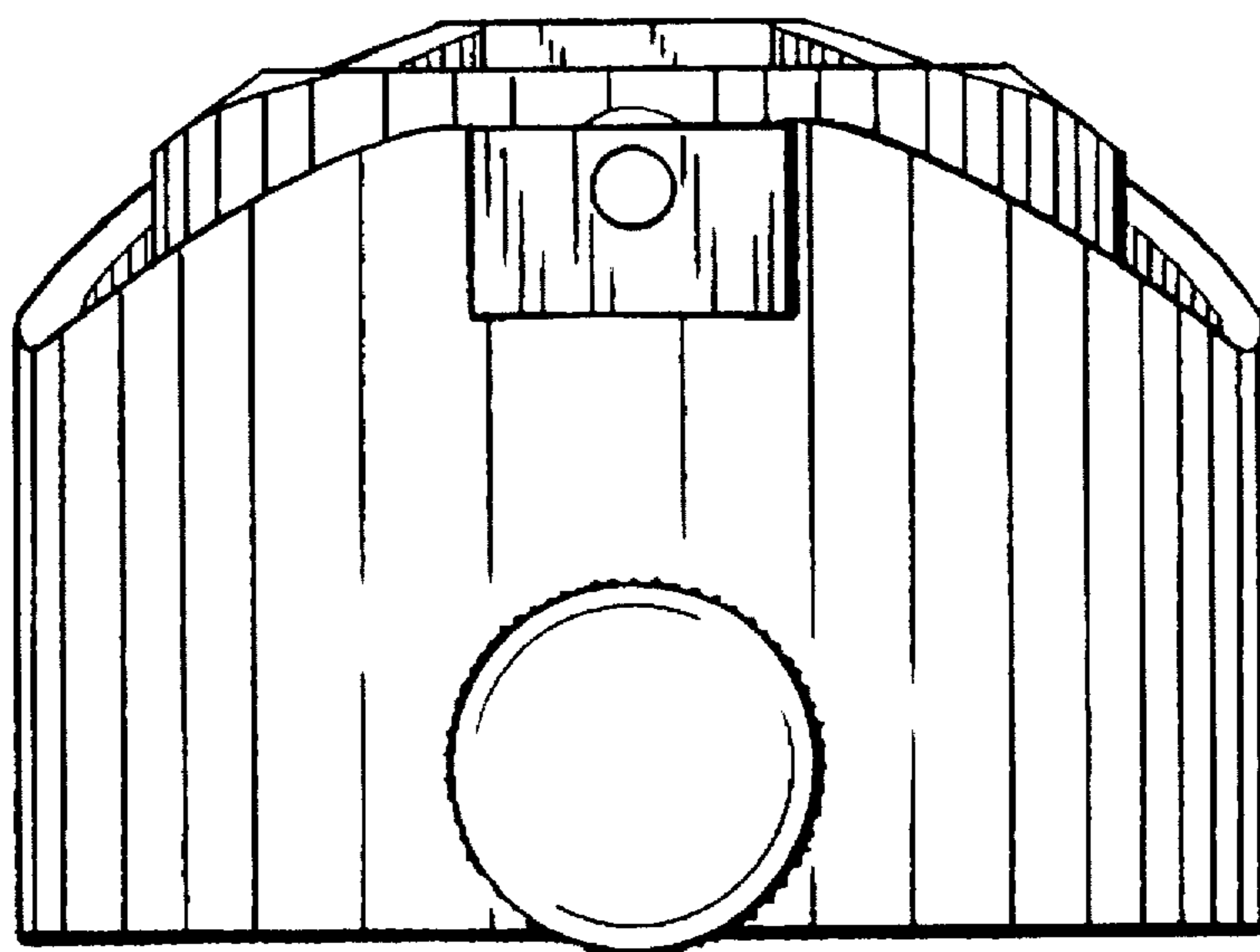


FIG. 3

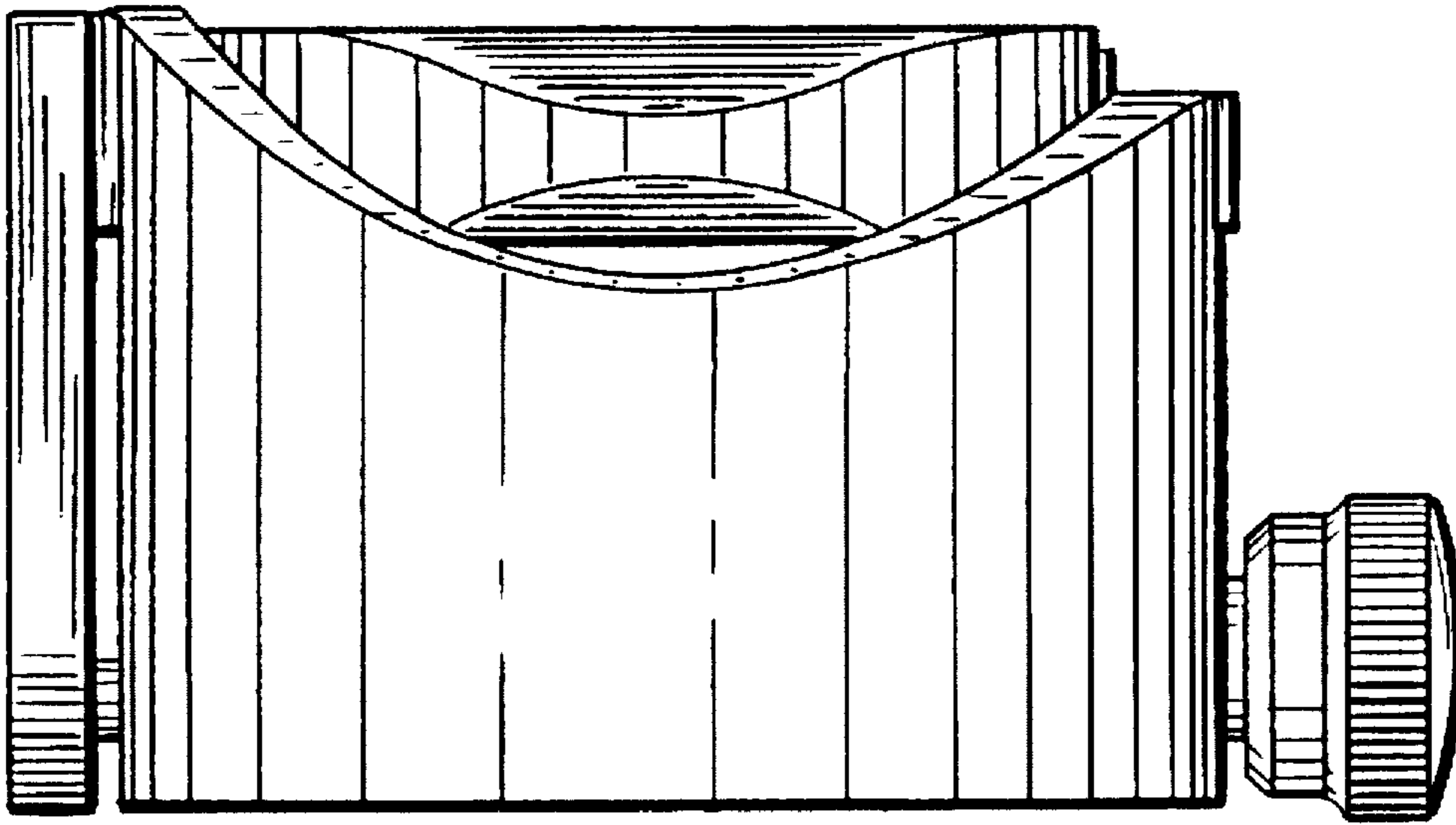


FIG. 4

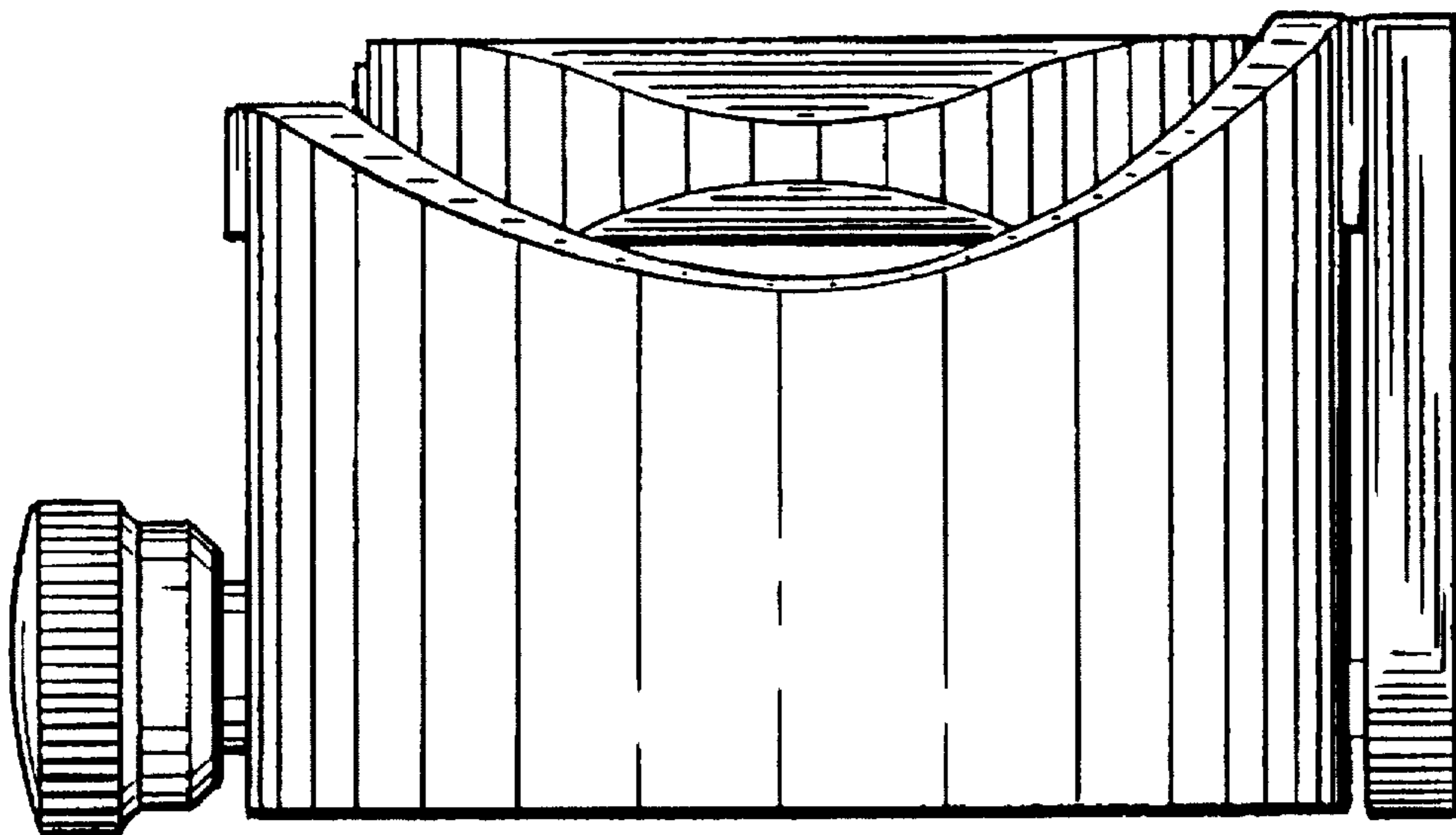


FIG. 5

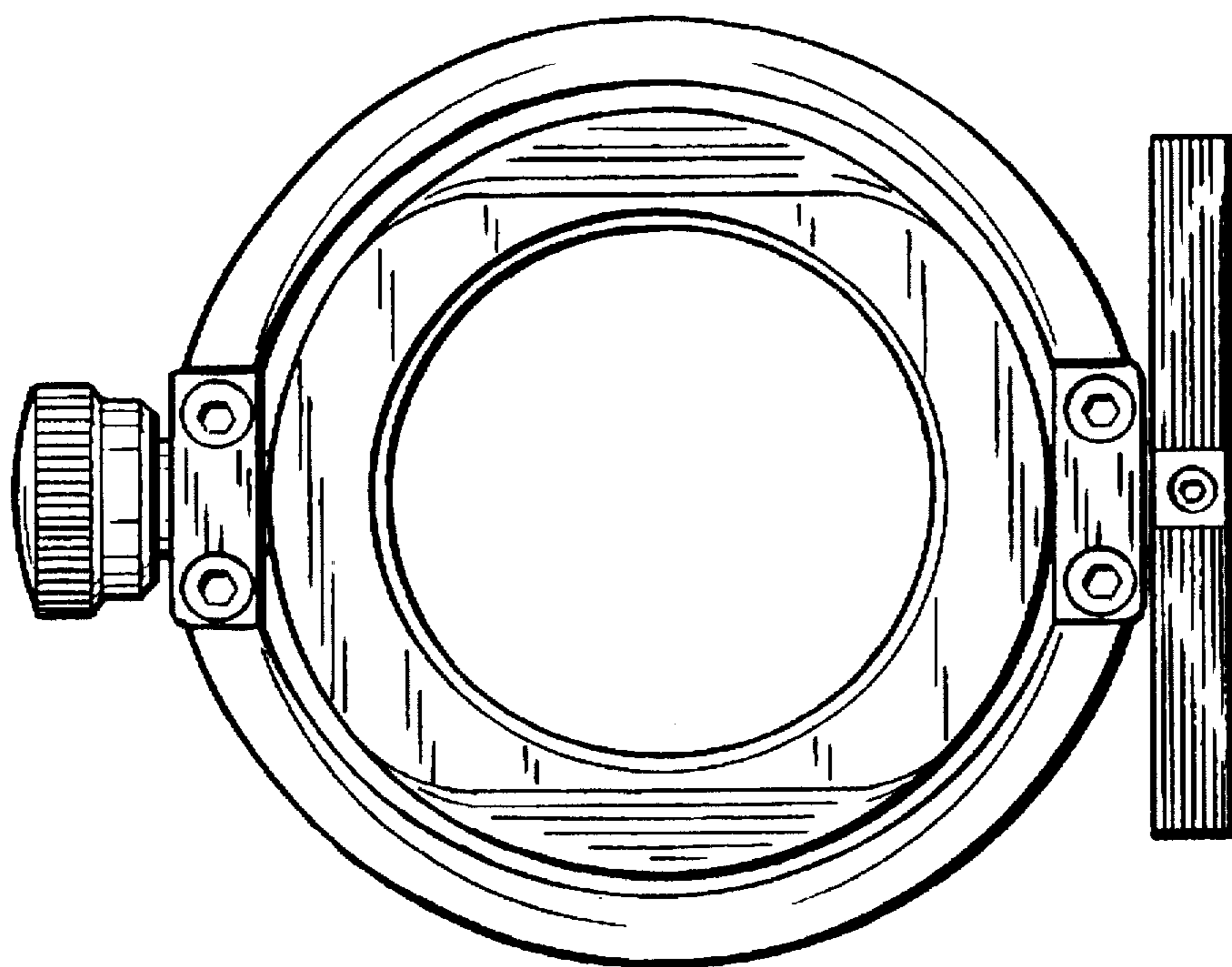


FIG. 6

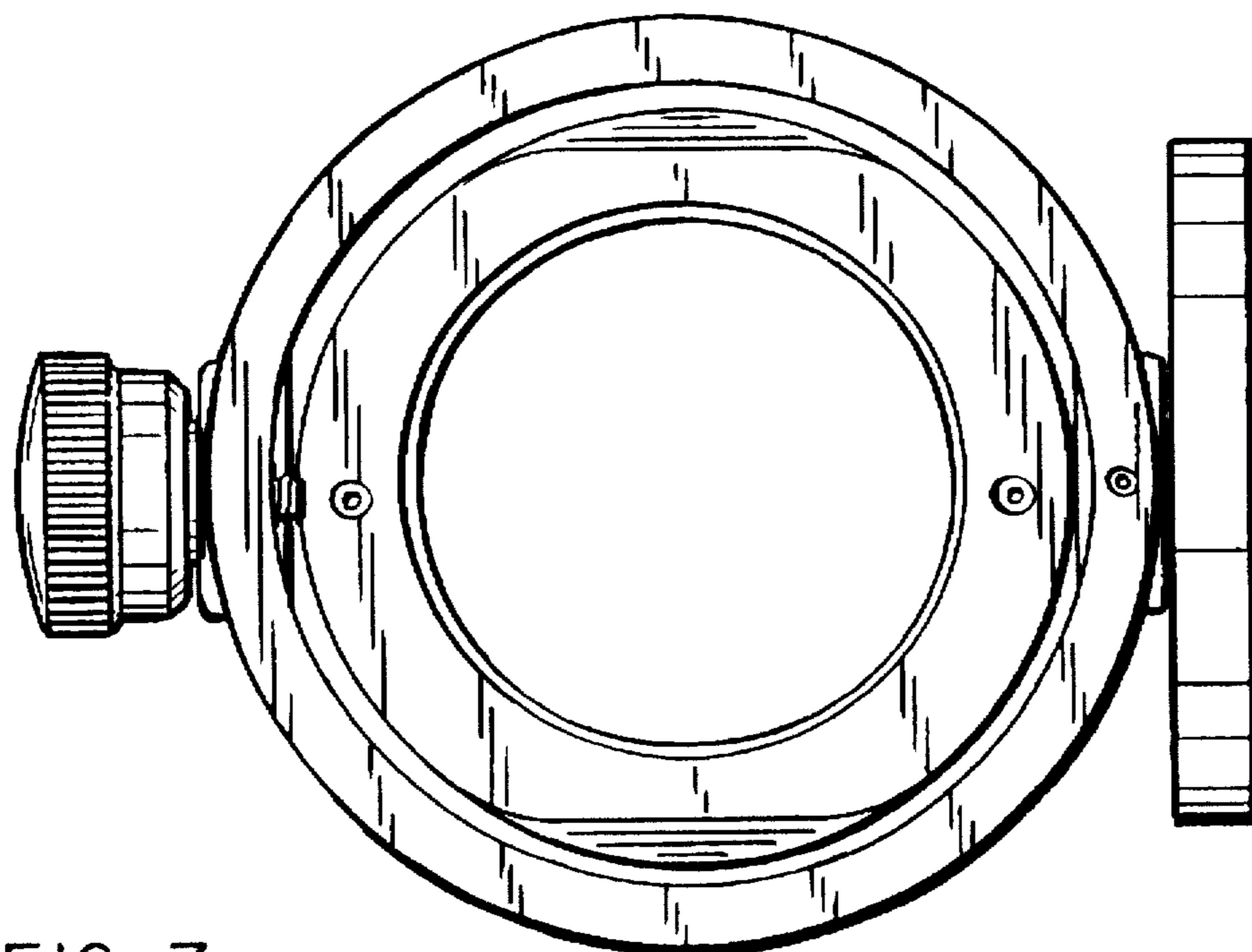


FIG. 7