

US00D393069S

# United States Patent [19]

[11] Patent Number: **Des. 393,069**

**Joje**

[45] Date of Patent: **\*\*Mar. 31, 1998**

[54] **COUCH INTEGRATED SUPPORT FRAME FOR A LINEAR ACCELERATOR**

3,582,650 6/1971 Avery ..... 378/65  
5,160,337 11/1992 Cosman ..... 606/130

[76] Inventor: **Anthony Phillip Joje**, Unit 3, 15-17 South Street, Kirra, Queensland 4225, Australia

*Primary Examiner*—Stella Reid  
*Attorney, Agent, or Firm*—Nixon & Vanderhye P.C.

[\*\*] Term: **14 Years**

[57] **CLAIM**

[21] Appl. No.: **57,241**

The ornamental design for a couch integrated support frame for a linear accelerator, as shown.

[22] Filed: **Jul. 19, 1996**

**DESCRIPTION**

[30] **Foreign Application Priority Data**

FIG. 1 is a front elevational view of a couch integrated support frame for a linear accelerator, showing my new design;

Jan. 22, 1996 [AU] Australia ..... 151/96

[51] LOC (6) CL. .... **24-01**

FIG. 2 is a rear elevational view thereof;

[52] U.S. Cl. .... **D24/158**

FIG. 3 is a top plan view thereof;

[58] **Field of Search** ..... D24/158, 183, D24/184; 5/601, 600, 11; 378/17, 20, 65, 64, 197, 206, 209; 606/130

FIG. 4 is a bottom plan view thereof;

FIG. 5 is a right side elevational view thereof;

FIG. 6 is a left side elevational view thereof; and,

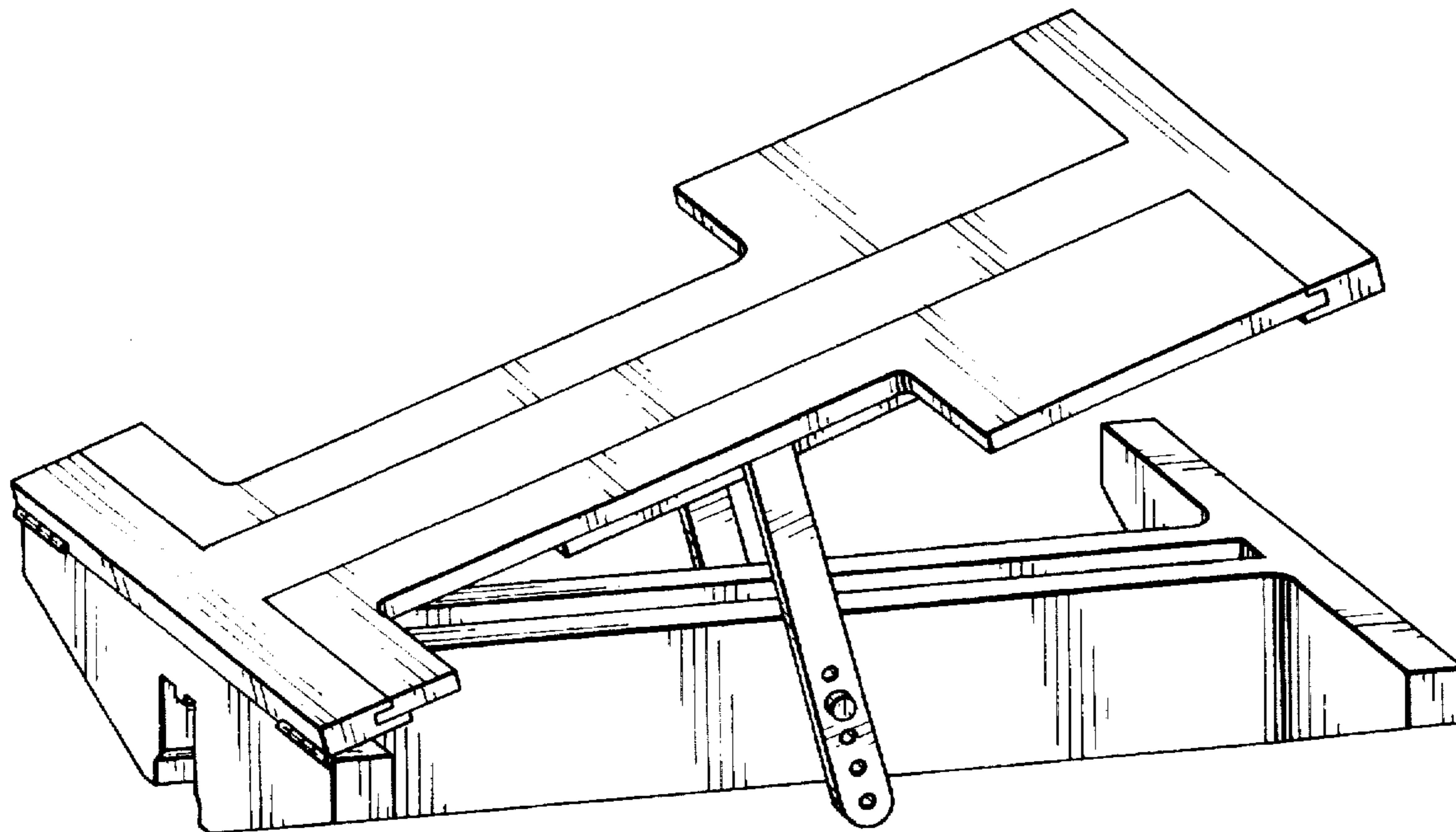
FIG. 7 is a top perspective view thereof.

[56] **References Cited**

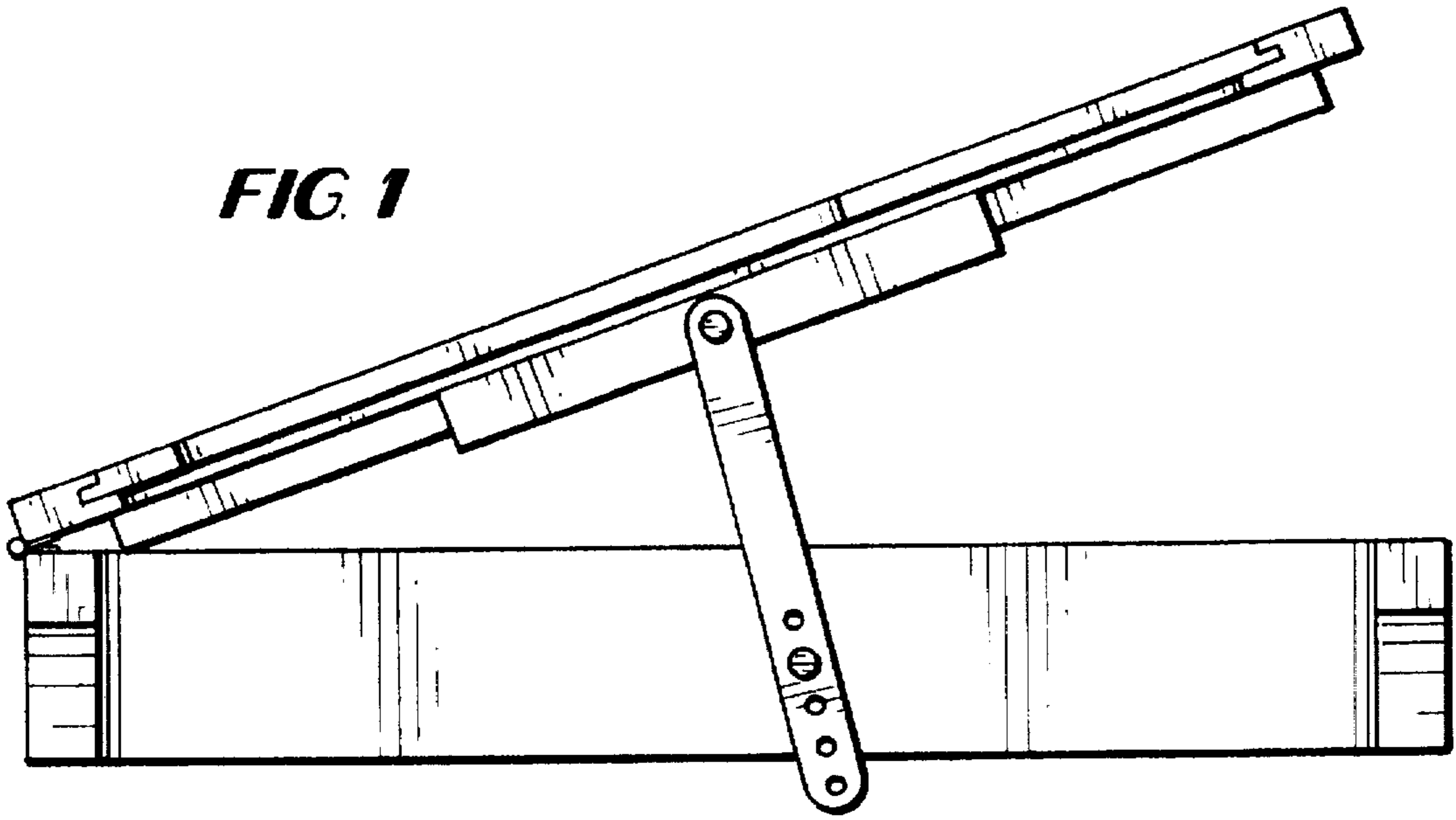
**U.S. PATENT DOCUMENTS**

449,262 5/1891 Jahsman et al. .... 5/601

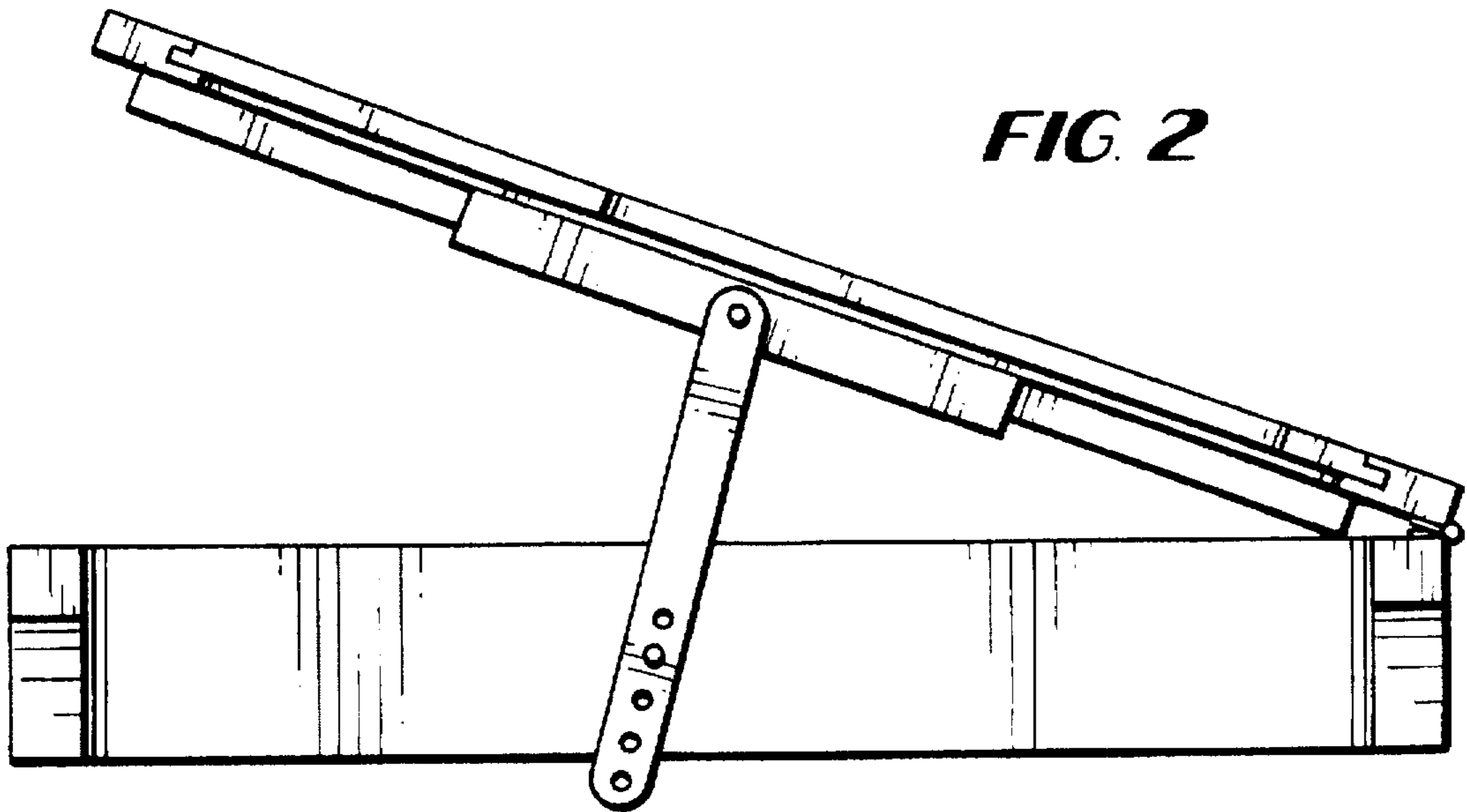
**1 Claim, 5 Drawing Sheets**



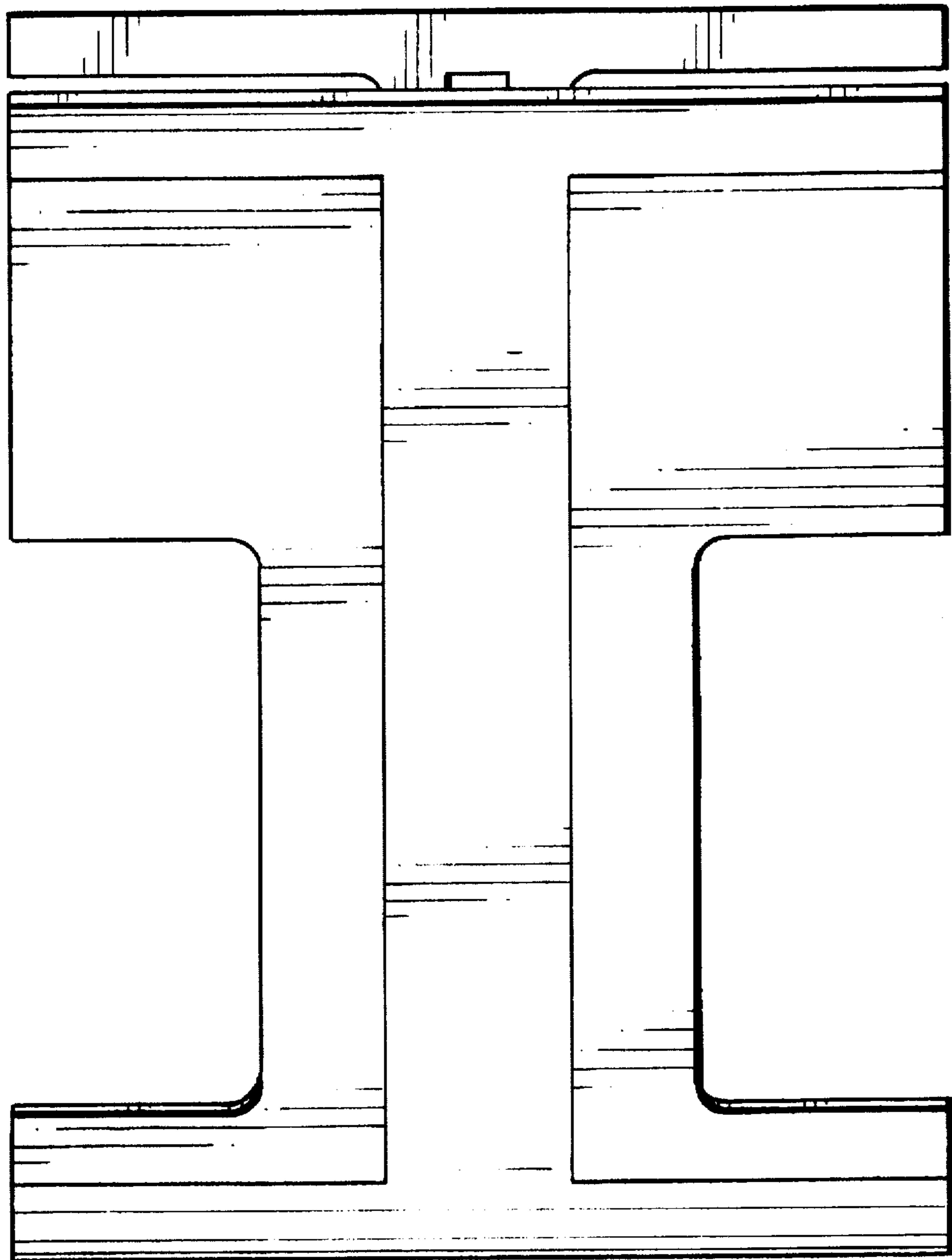
**FIG. 1**



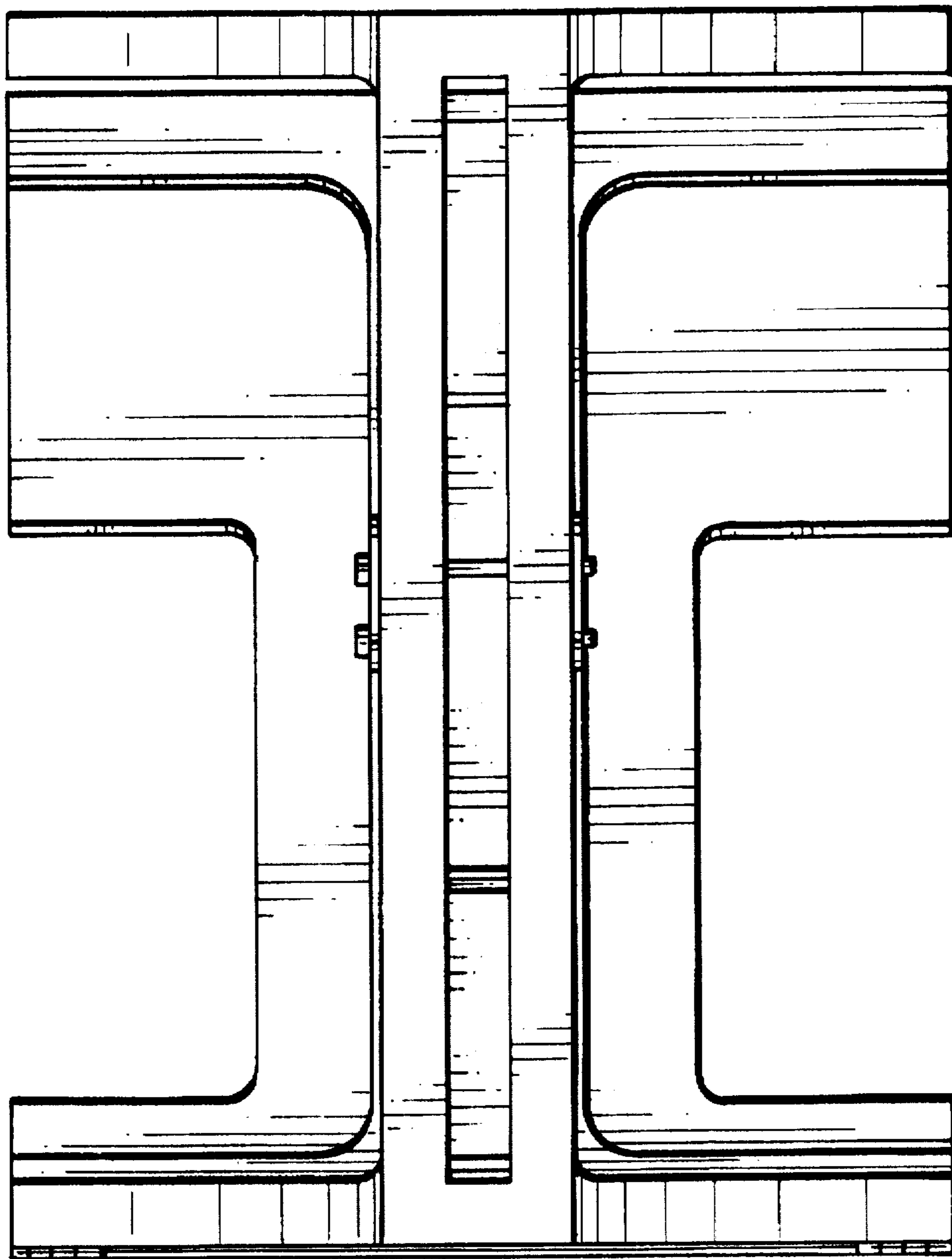
**FIG. 2**



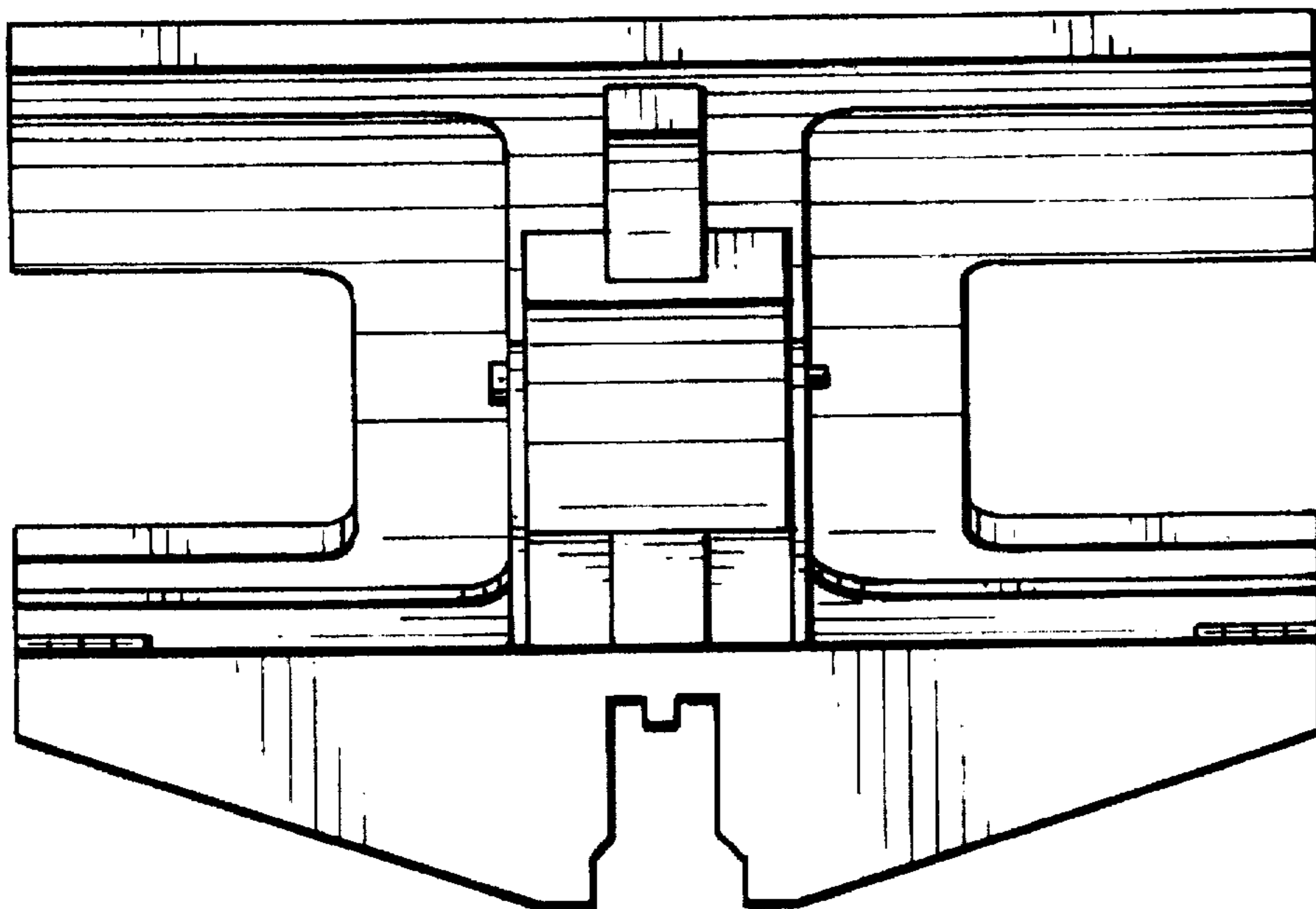
**FIG. 3**



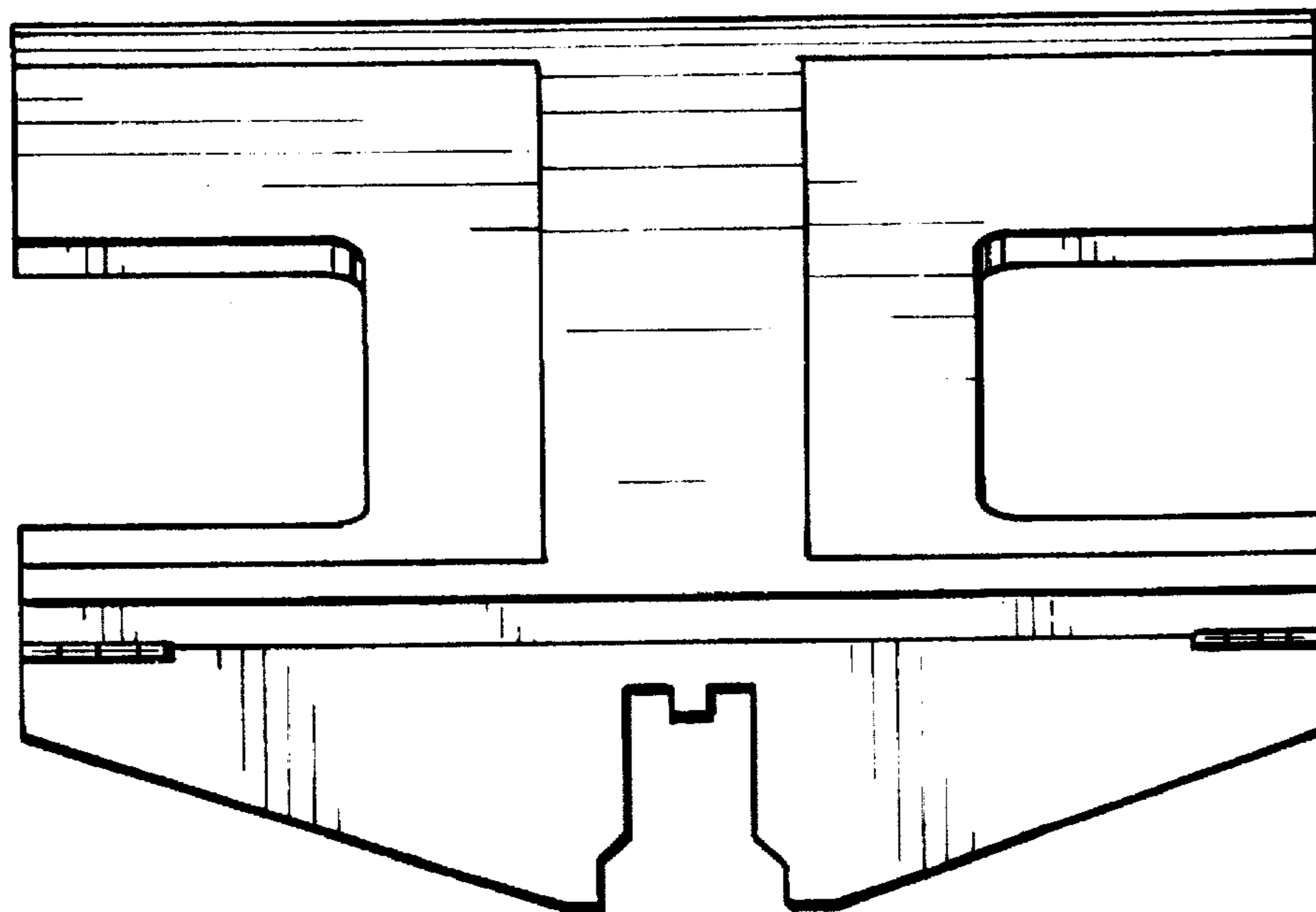
**FIG. 4**

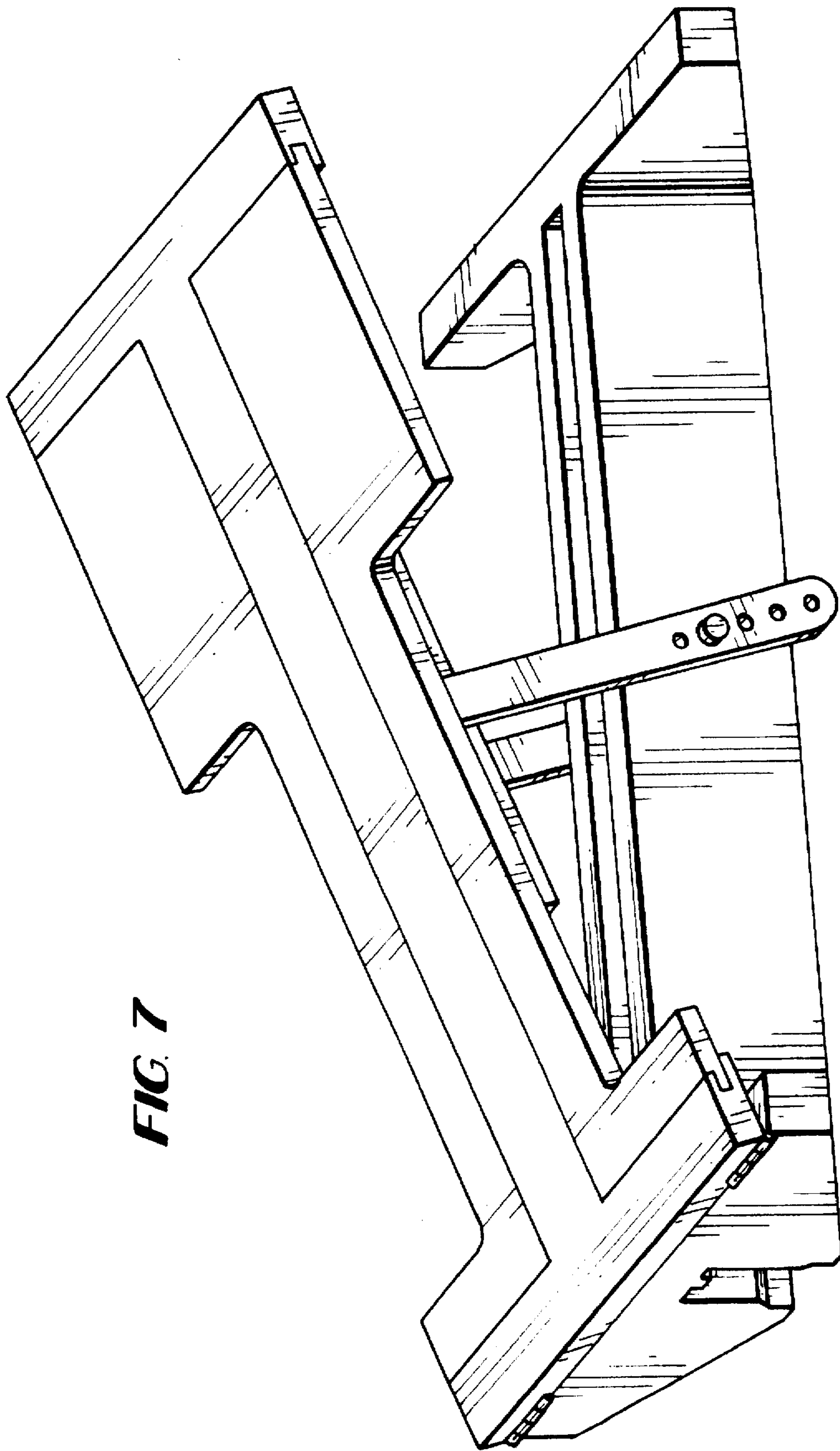


**FIG. 5**



**FIG. 6**





**FIG. 7**