



US00D393066S

United States Patent [19]

[11] Patent Number: **Des. 393,066**

Laun et al.

[45] Date of Patent: ****Mar. 31, 1998**

[54] **BINOCULAR OTOSCOPE**

Primary Examiner—Doris Clark
Attorney, Agent, or Firm—Wall Marjama & Bilinski

[75] Inventors: **Deborah A. Laun**, Syracuse; **Alan W. Brownlie**; **Howard Scott Ryan**, both of Skaneateles, all of N.Y.

[57] **CLAIM**

[73] Assignee: **Welch Allyn, Inc.**, Skaneateles Falls, N.Y.

The ornamental design for a binocular otoscope, as shown and described.

[**] Term: **14 Years**

DESCRIPTION

[21] Appl. No.: **58,929**

FIG. 1 is a perspective view of binocular otoscope, illustrating our new design;

[22] Filed: **Aug. 28, 1996**

FIG. 2 is a right side elevation view of the binocular otoscope of FIG. 1;

[51] LOC (6) Cl. **24-02**

FIG. 3 is a left side elevation view of the binocular otoscope of FIG. 1;

[52] U.S. Cl. **D24/137**

FIG. 4 is a front elevation view of the binocular otoscope of FIG. 1;

[58] Field of Search D24/137; 600/200, 600/199, 921

FIG. 5 is a top view of the binocular otoscope of FIG. 1; FIG. 6 is a front elevation view of the binocular otoscope of FIG. 1; and

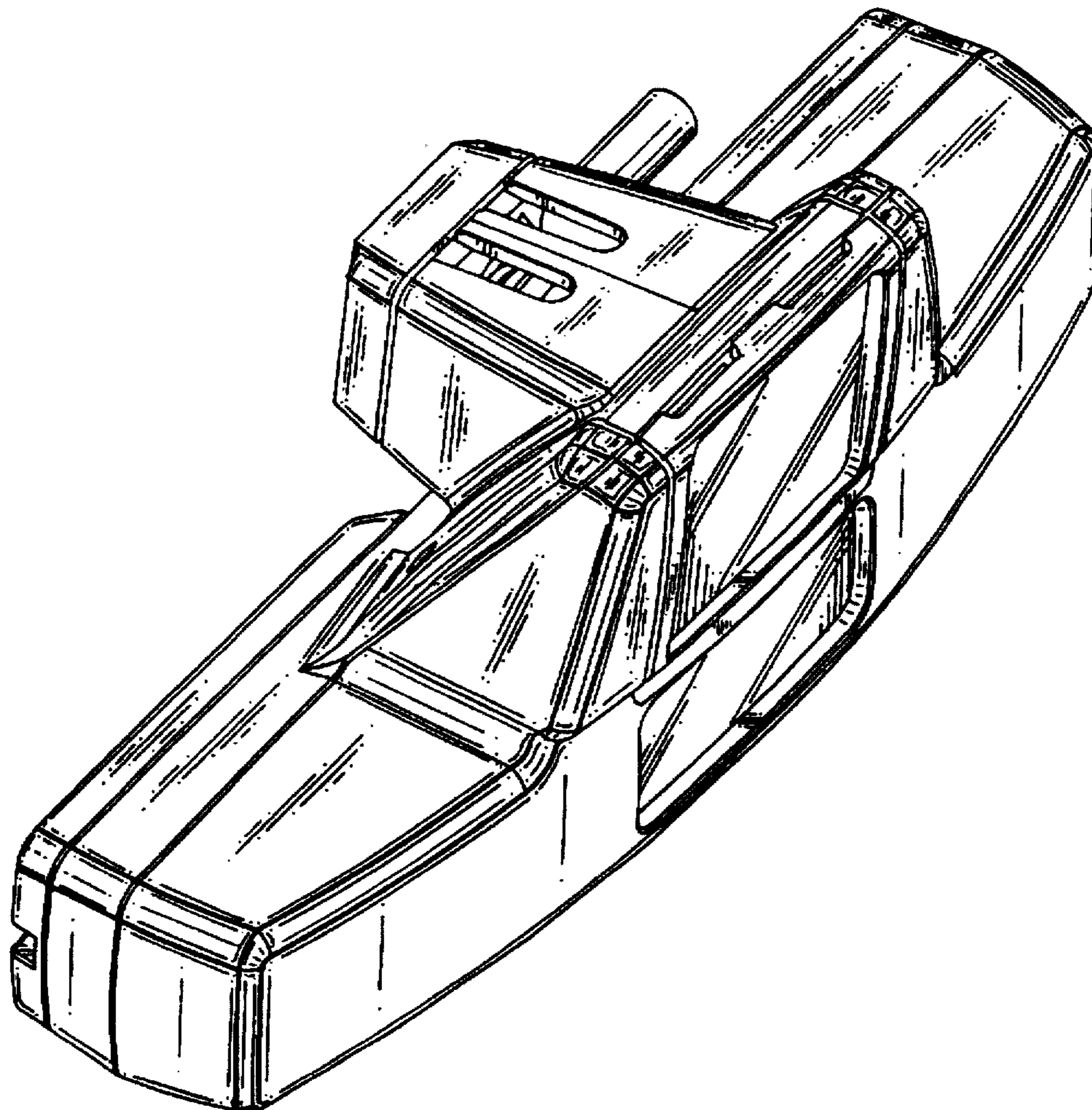
[56] **References Cited**

FIG. 7 is a bottom view of the binocular otoscope of FIG. 1.

U.S. PATENT DOCUMENTS

D. 374,077 9/1996 Butler D24/137
5,501,652 3/1996 Woods 600/200

1 Claim, 3 Drawing Sheets



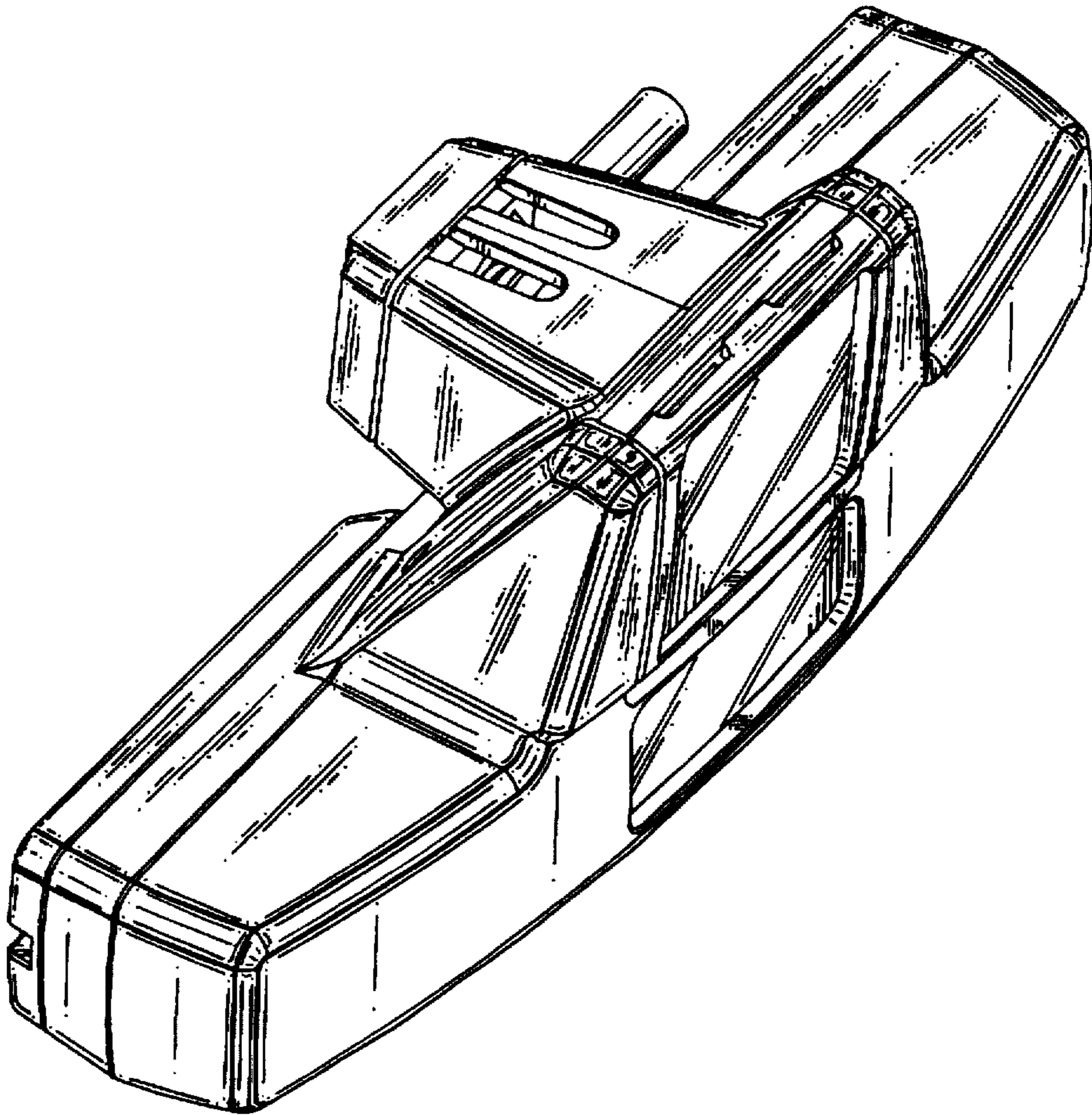


FIG.1

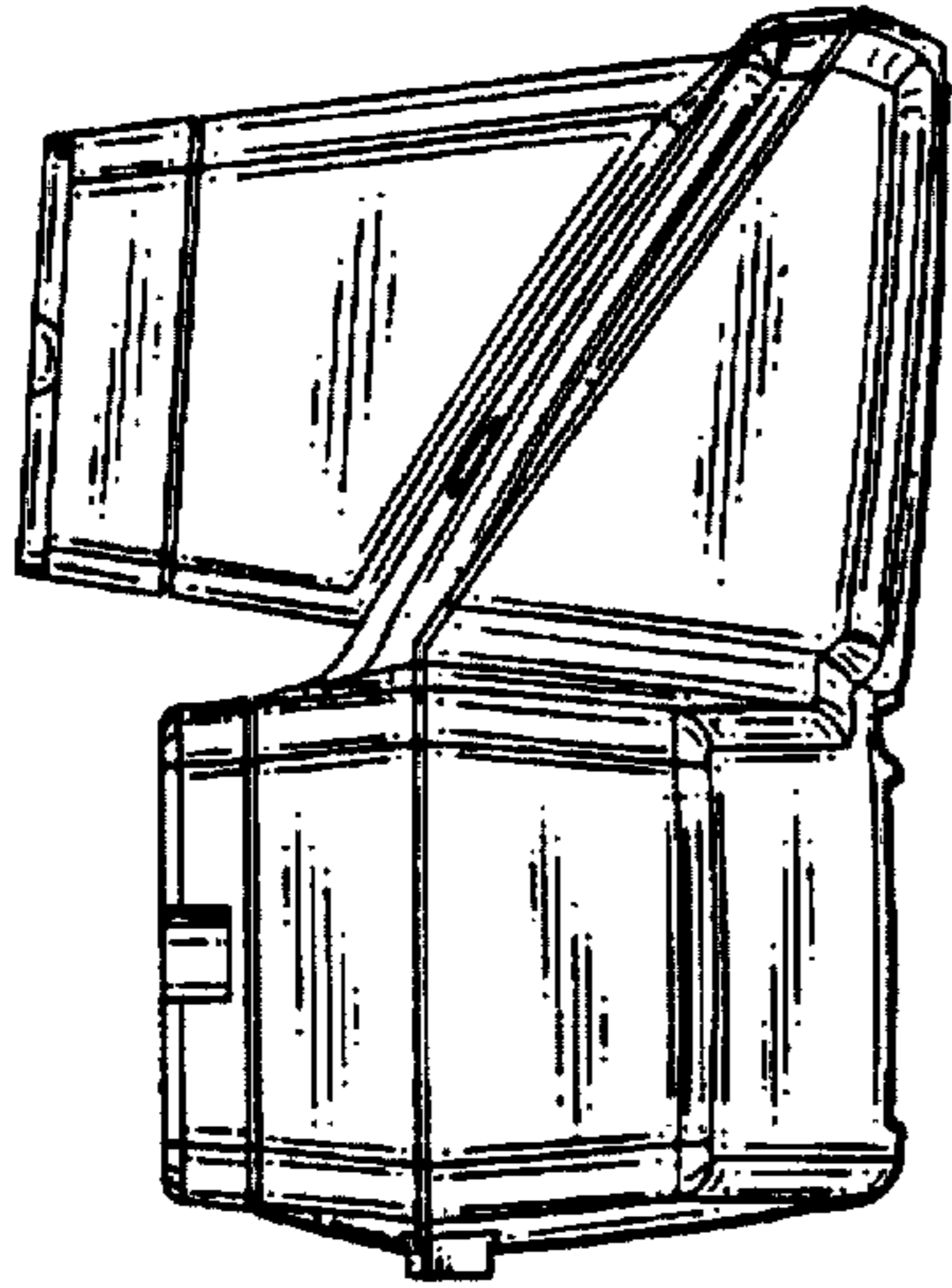


FIG. 2

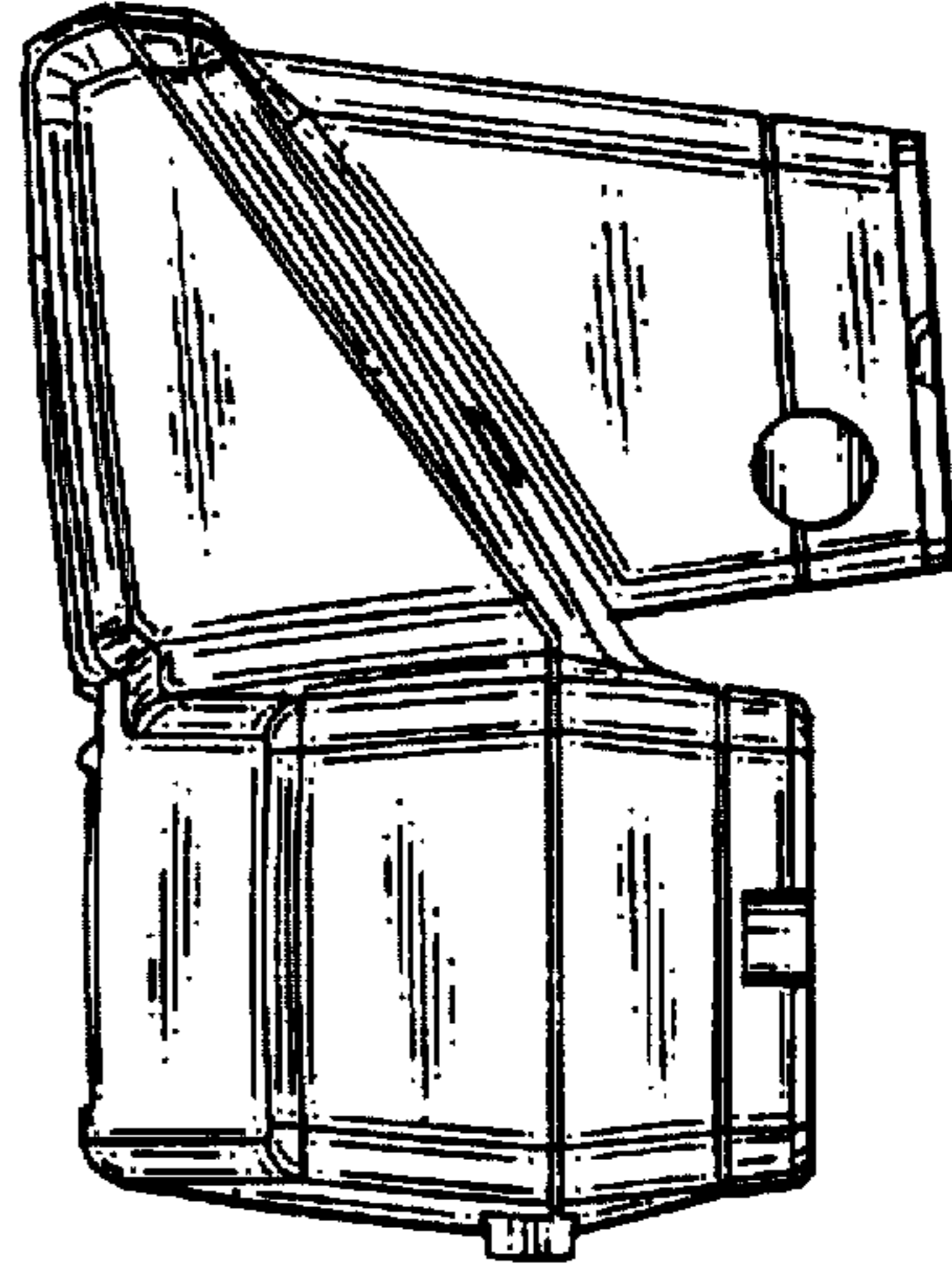


FIG. 3

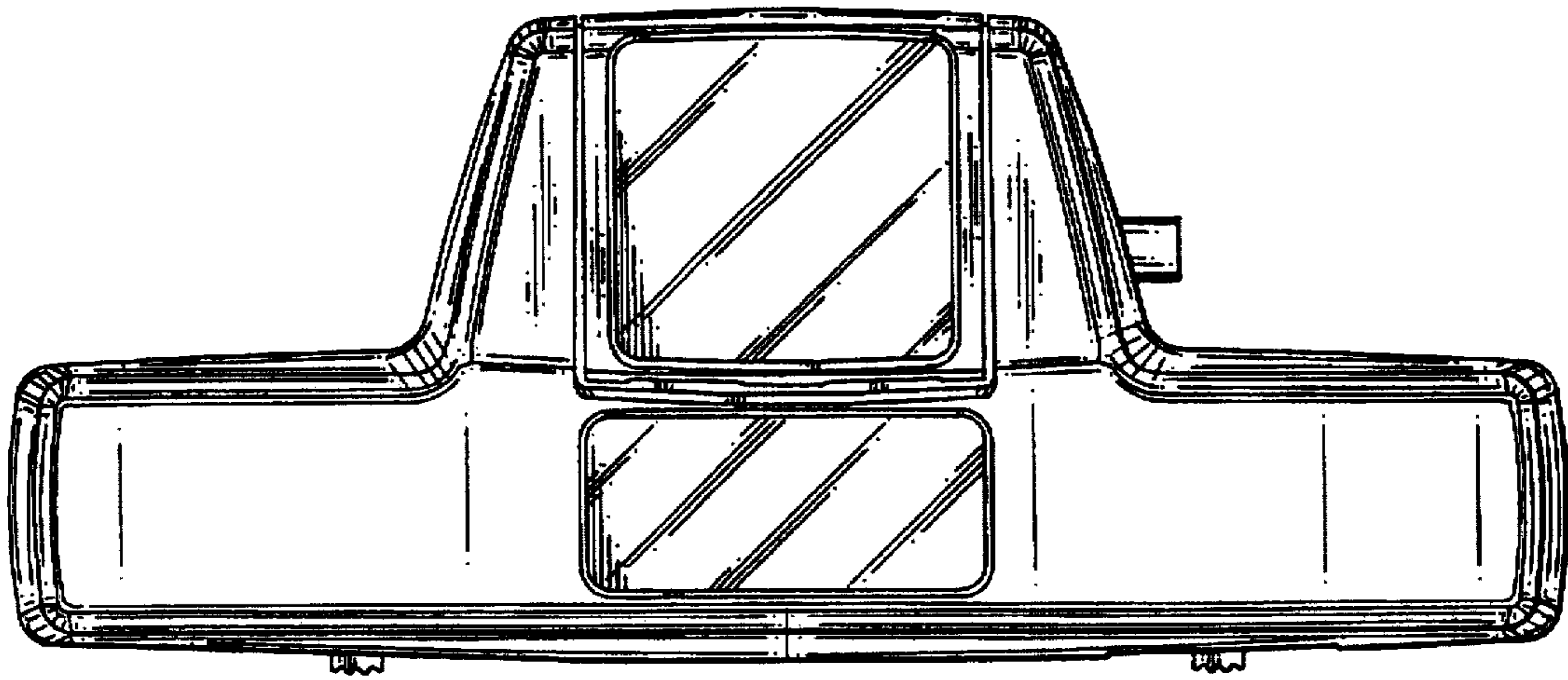


FIG. 4

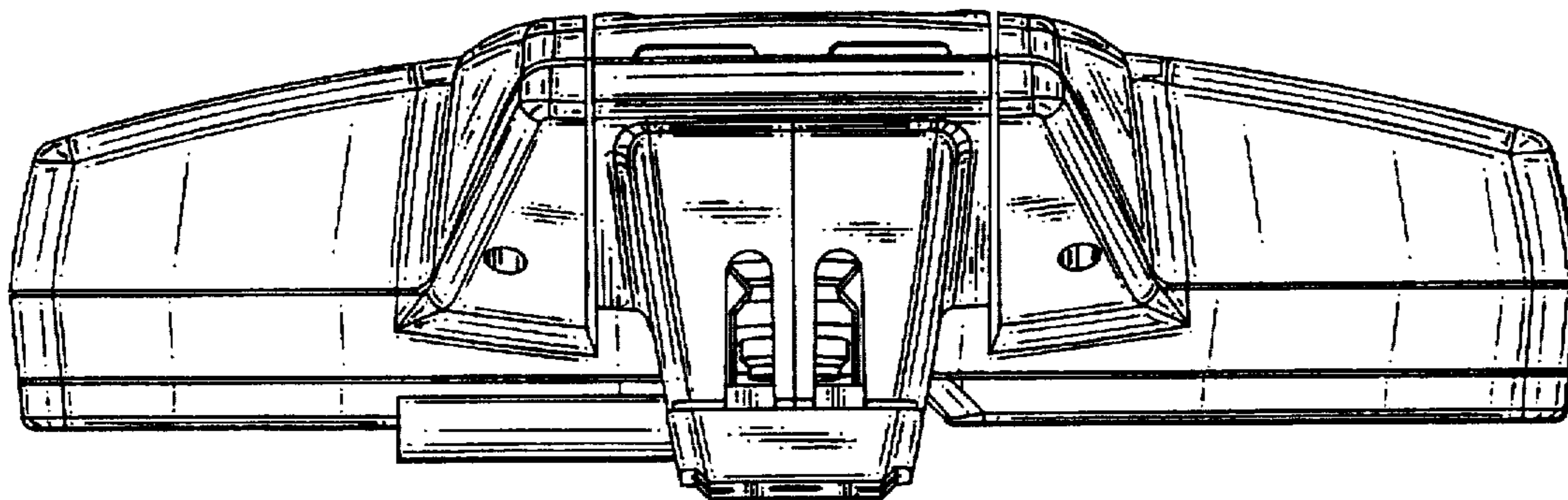


FIG. 5

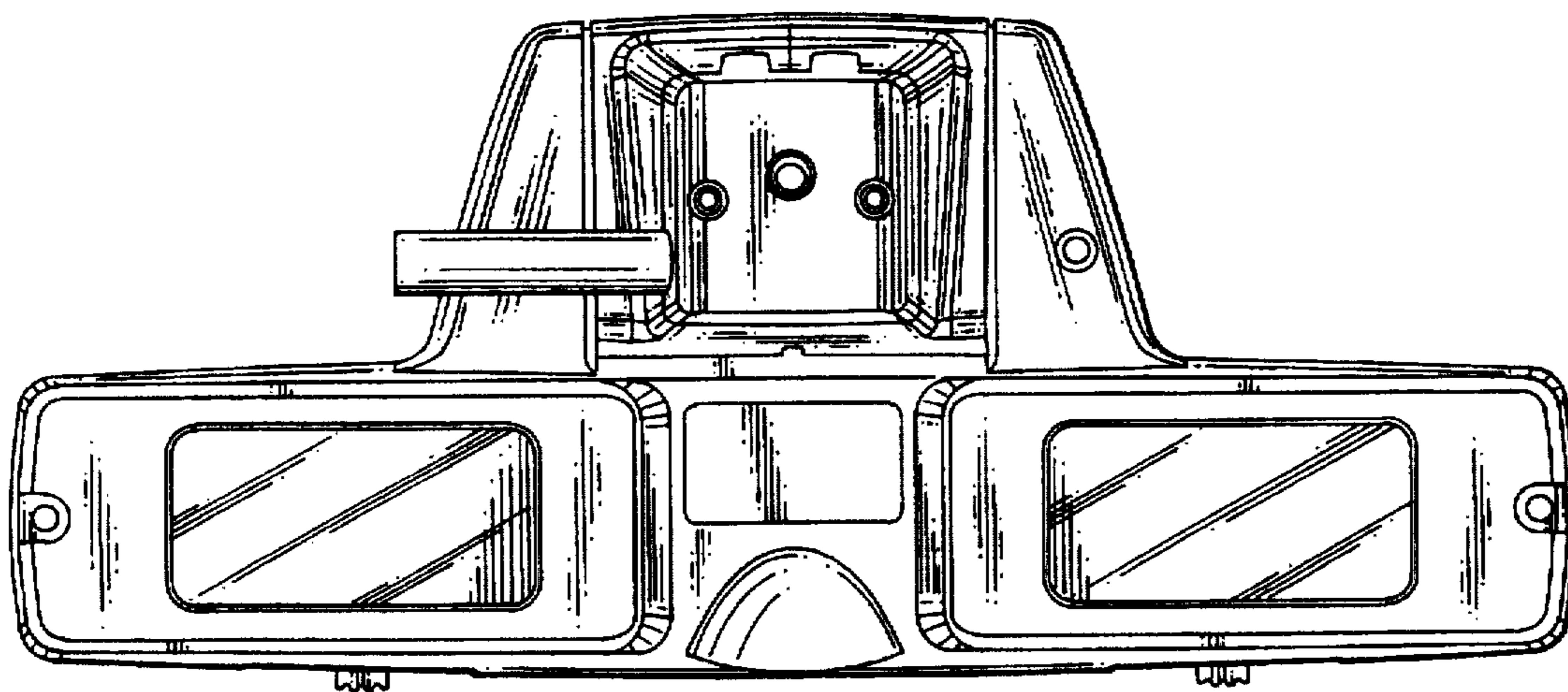


FIG. 6

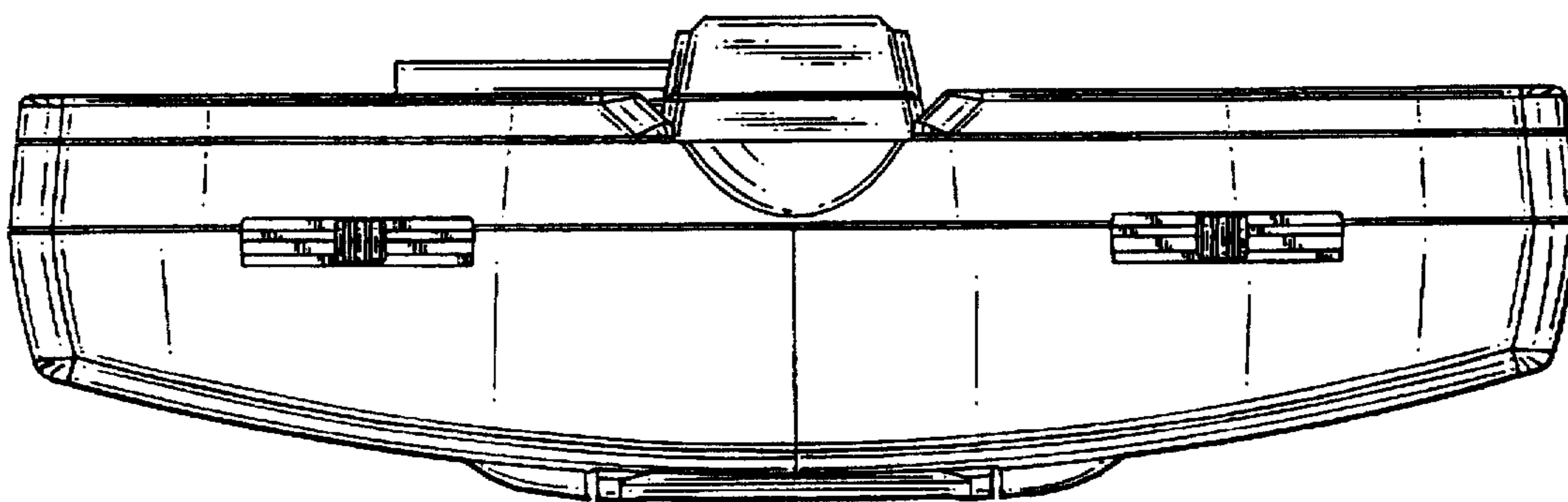


FIG. 7