



US00D393065S

United States Patent [19]

Bray

[11] Patent Number: Des. 393,065

[45] Date of Patent: **Mar. 31, 1998

[54] **TWELVE VANED CROWN FOR A SOLID-PHASE REACTION SUPPORT PIN**

[76] Inventor: **Andrew Malcolm Bray**, 48 Western Rd., Boronia, Victoria 3155, Australia

[**] Term: **14 Years**

[21] Appl. No.: **52,108**

[22] Filed: **Mar. 22, 1996**

[51] LOC (6) Cl. **24-02**

[52] U.S. Cl. **D24/130; D24/127**

[58] Field of Search D10/81, 78; D24/127, D24/130, 216, 212, 224; 422/63, 64, 116, 131, 134, 135; 435/285, 287, 296, 311; 935/85, 88

[56] **References Cited**

U.S. PATENT DOCUMENTS

4,775,629	10/1988	Kuhl et al.	435/311	X
5,019,349	5/1991	Ohms et al.	422/63	
5,344,613	9/1994	Nokihara et al.	422/131	
5,419,874	5/1995	Coassin et al.	422/131	X

Primary Examiner—Antoine Duval Davis
Attorney, Agent, or Firm—LeAnn Gorthey; Kenneth M. Goldman; Robert P. Blackburn

[57] **CLAIM**

The ornamental design for a twelve vaned crown for a solid-phase reaction support pin, as shown and described.

DESCRIPTION

FIG. 1 is a front, left side perspective view of a twelve vaned crown for a solid-phase reaction support pin showing my new design;

FIG. 2 is a top view thereof;

FIG. 3 is a left side view thereof;

FIG. 4 is a bottom view thereof;

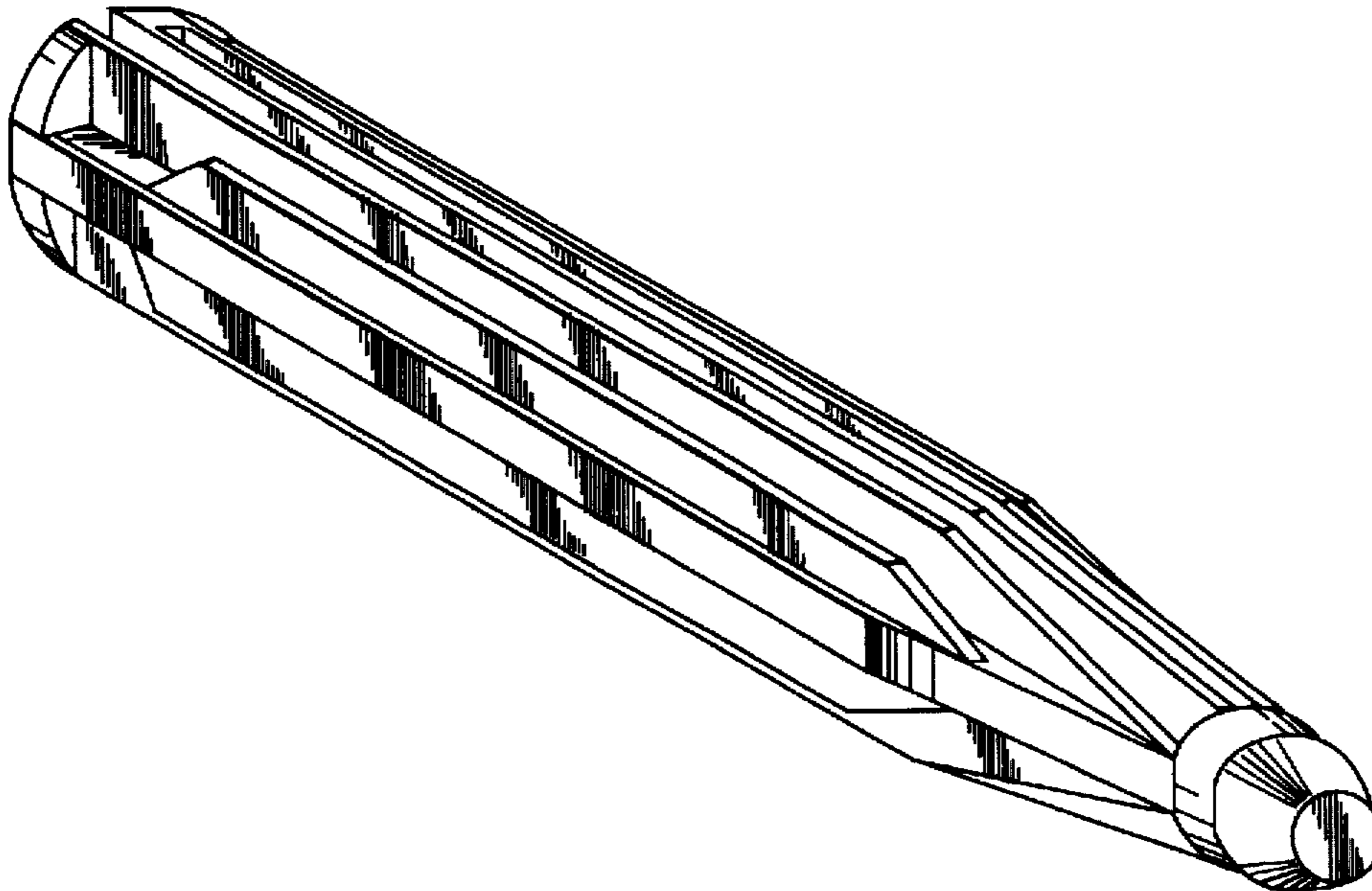
FIG. 5 is a right side view thereof;

FIG. 6 is a front view thereof;

FIG. 7 is a cross sectional view taken along the line 7—7 in FIG. 5 and looking towards the front of the crown; and,

FIG. 8 is a back view thereof.

1 Claim, 4 Drawing Sheets



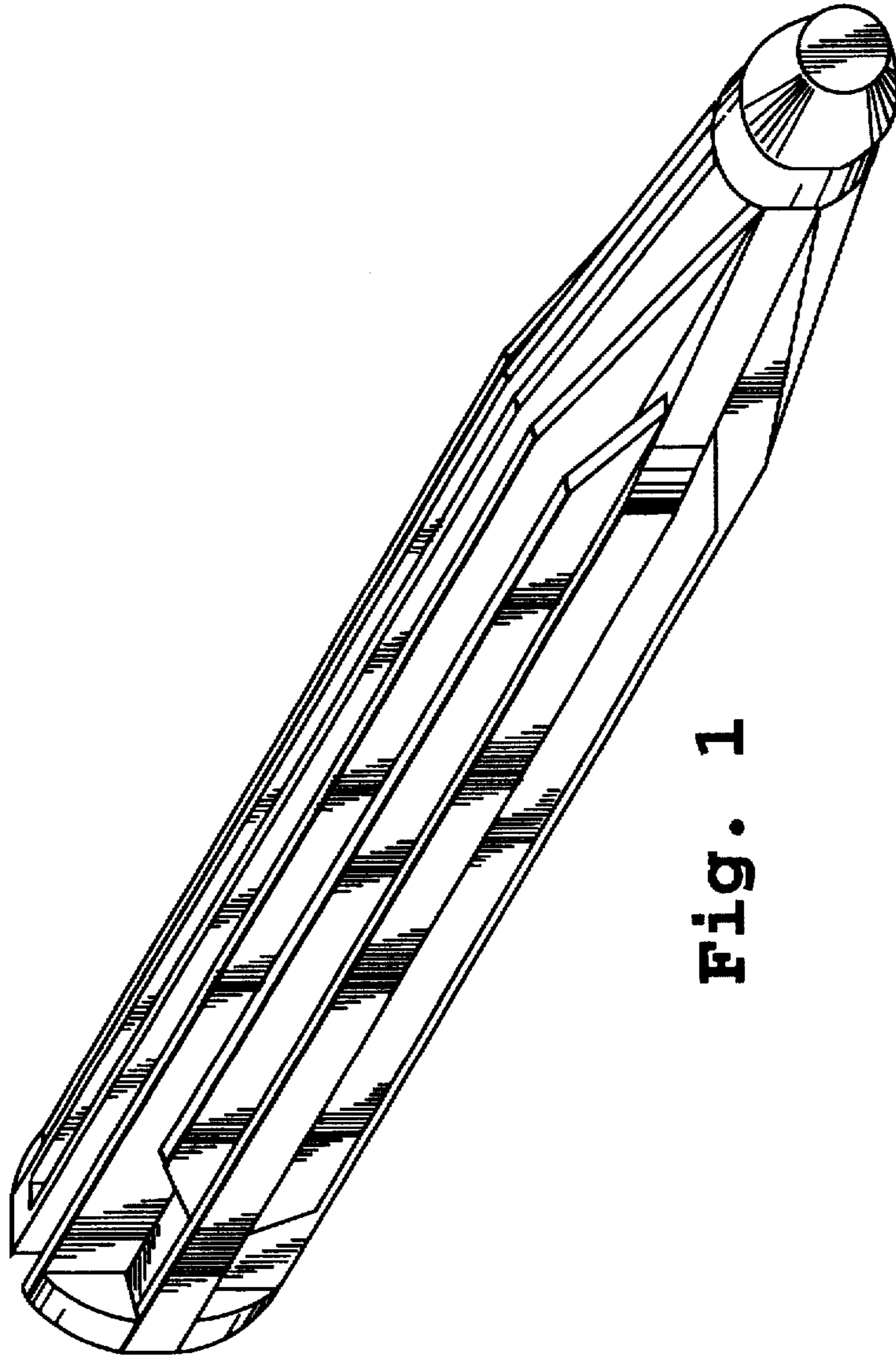


Fig. 1

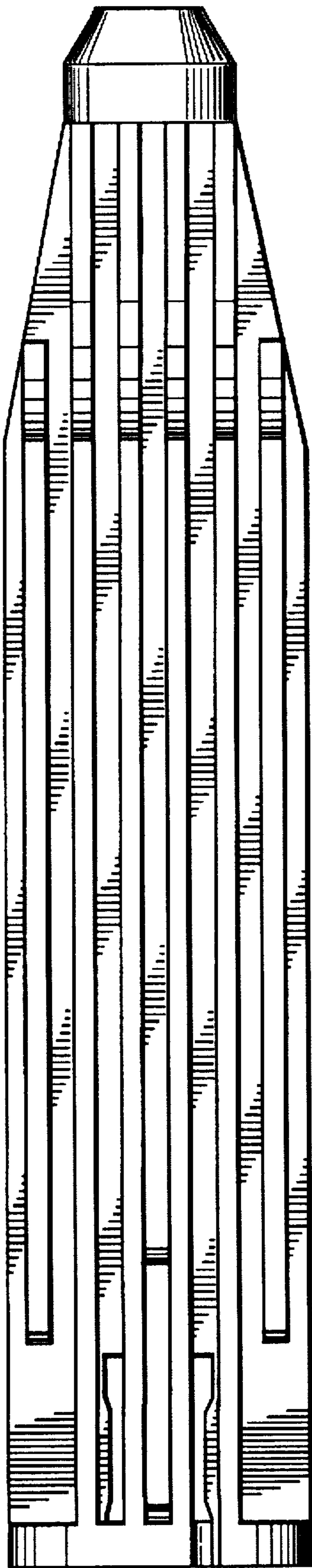


Fig. 2

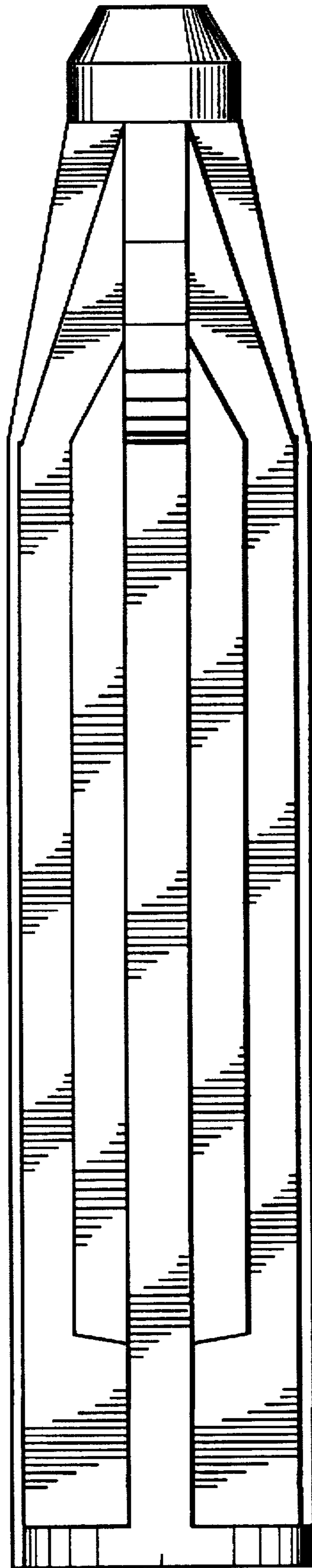


Fig. 3

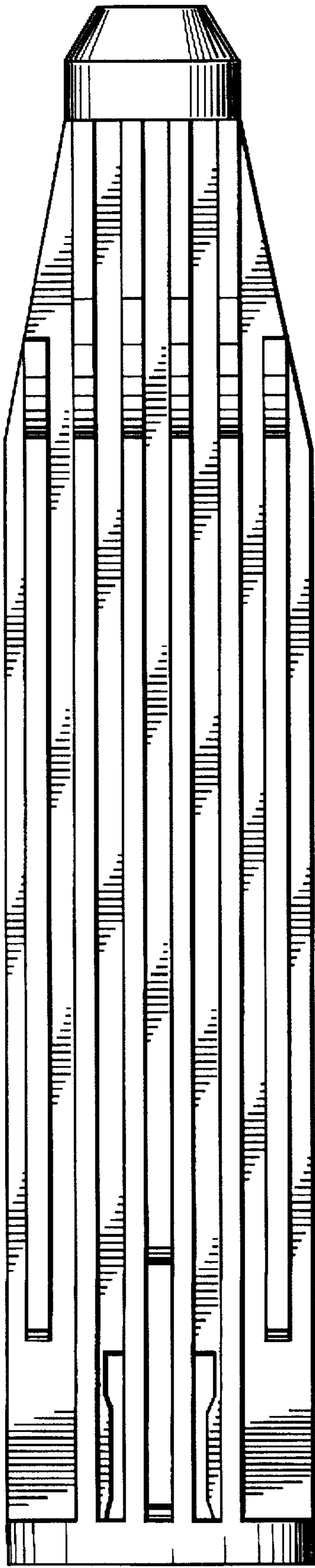


Fig. 4

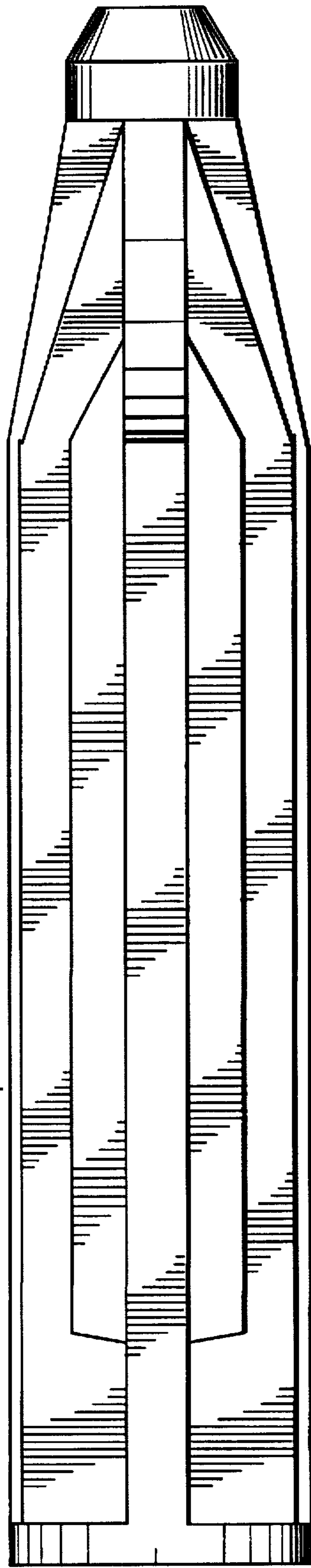


Fig. 5

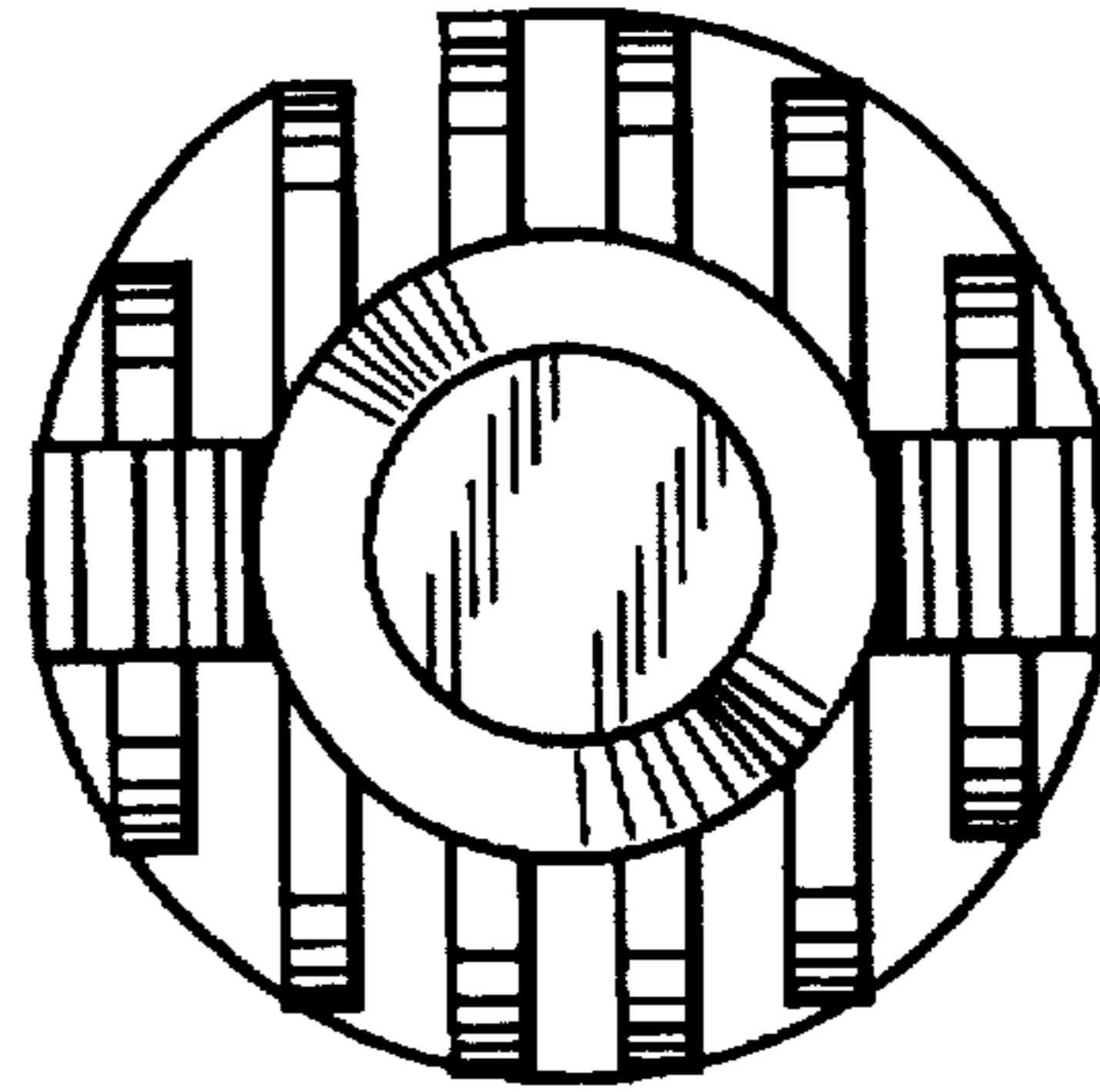


Fig. 6

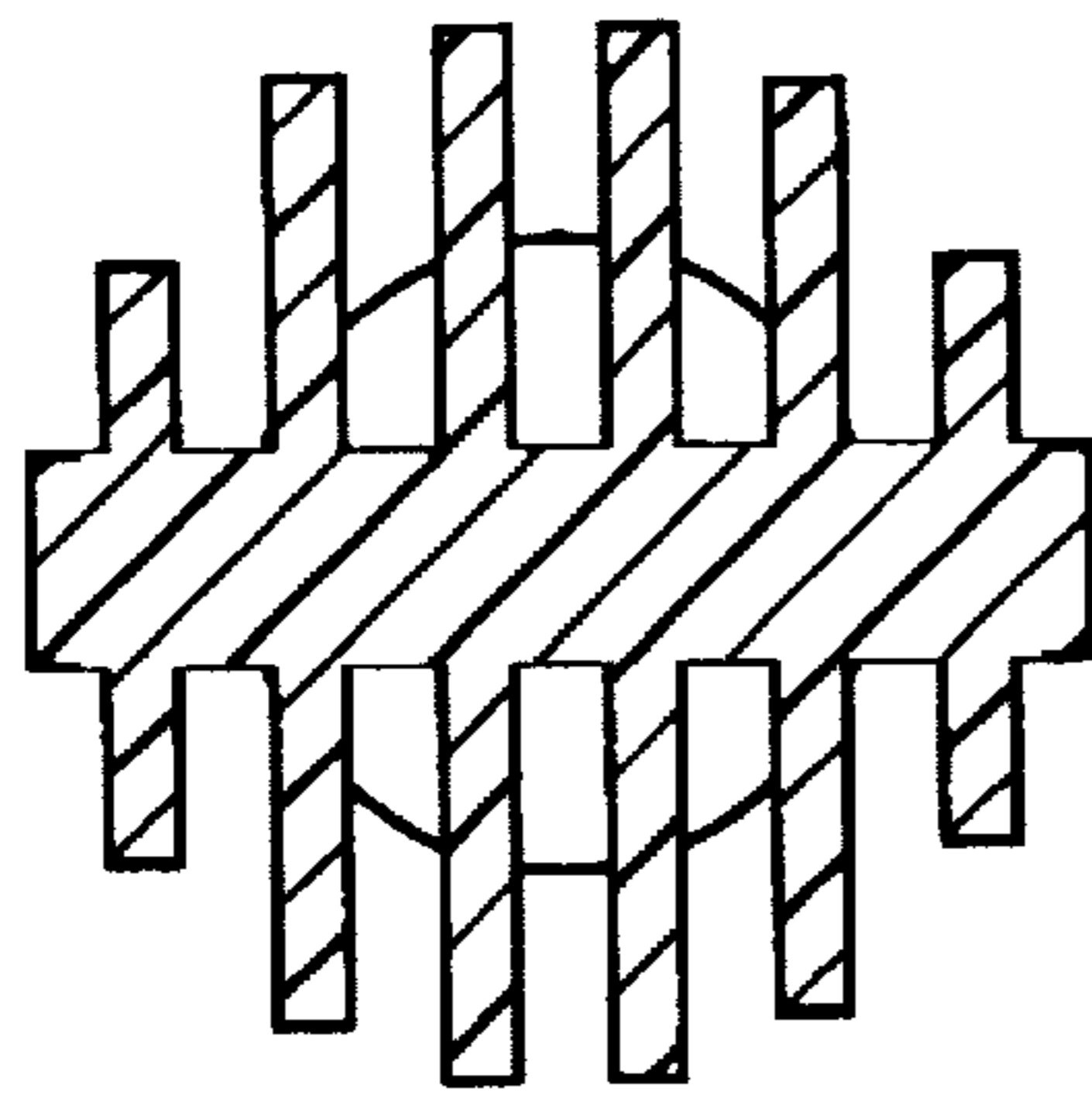


Fig. 7

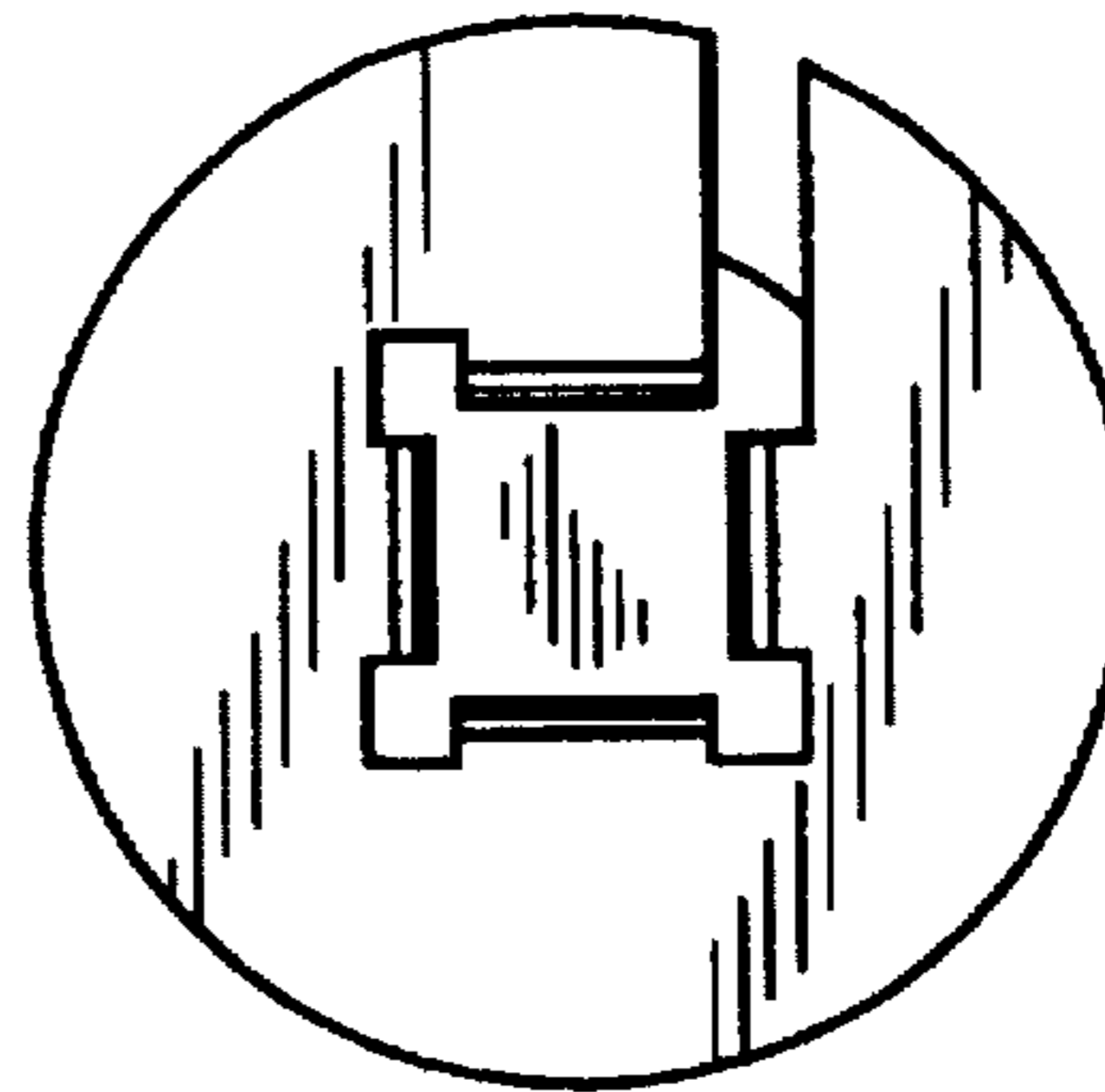


Fig. 8