



US00D393064S

United States Patent [19]

Dawson et al.

[11] Patent Number: **Des. 393,064**

[45] Date of Patent: ****Mar. 31, 1998**

[54] DISPENSING VALVE

[76] Inventors: **Merrill W. Dawson**, 126 Huntleigh Dr., Belleville, Ill. 62220; **Warren A. Dow**, 4626 Misty Leaf La., St. Louis, Mo. 63128

[**] Term: **14 Years**

[21] Appl. No.: **59,259**

[22] Filed: **Sep. 6, 1996**

[51] LOC (6) Cl. **23-99**

[52] U.S. Cl. **D23/499; D15/199**

[58] Field of Search **D15/199; D23/233, D23/235, 499; 137/12.5, 170.1, 801; 251/118, 122, 155, 149.5, 193; 222/182, 402.1, 402.13**

[56] References Cited

U.S. PATENT DOCUMENTS

5,509,581	4/1996	Parsons	222/193
5,520,305	5/1996	Pierson	222/182
5,657,908	8/1997	Graver	222/182

OTHER PUBLICATIONS

Burlingame Industries, Inc. brochure with letter dated Mar. 9, 1993.

Primary Examiner—Antoine Duval Davis
Attorney, Agent, or Firm—Kalish & Gilster

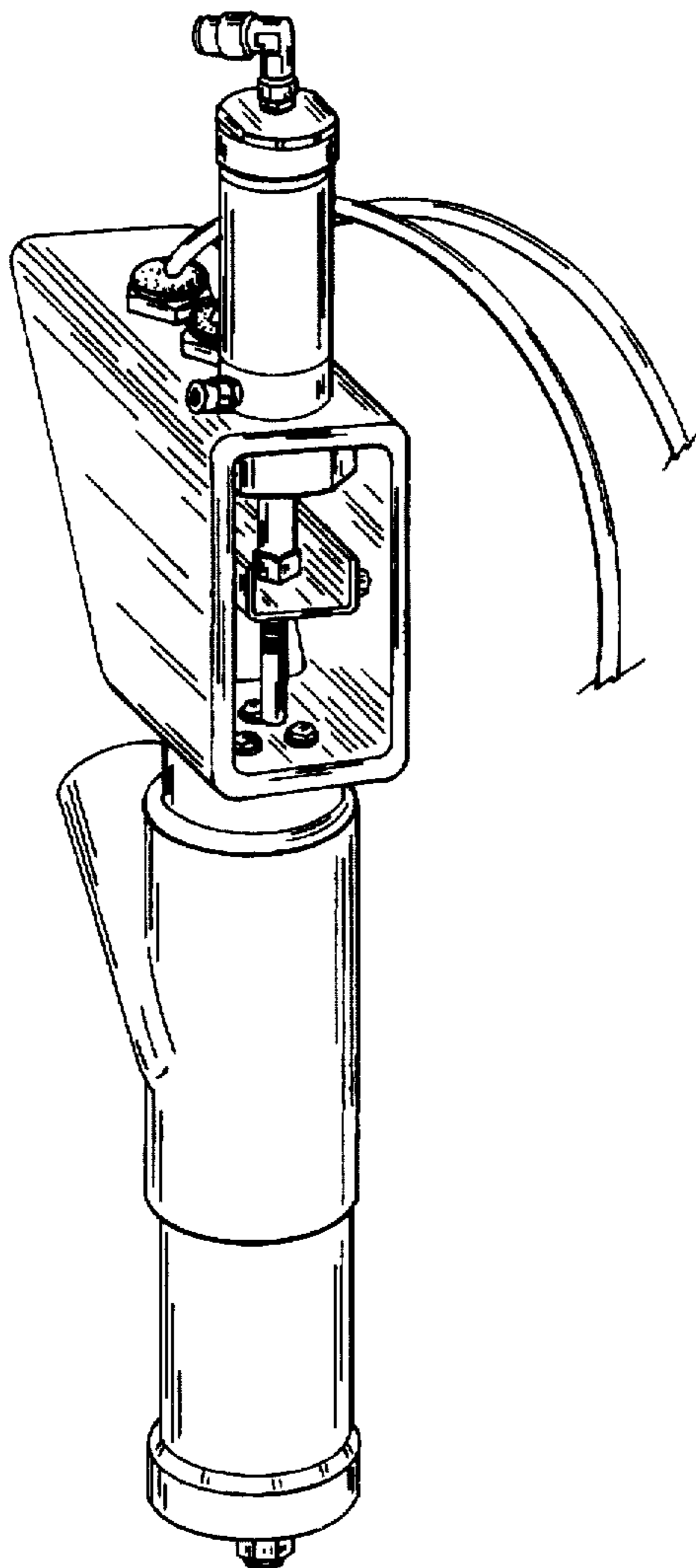
[57] CLAIM

The ornamental design for a dispensing valve, as shown and described.

DESCRIPTION

FIG. 1 is a perspective view of a dispensing valve showing our new design;
FIG. 2 is an elevational view thereof, taken from the left side of the design shown in FIG. 1;
FIG. 3 is an opposite side elevational view thereof;
FIG. 4 is an elevational view thereof taken from the side at the back of the design shown in FIG. 1;
FIG. 5 is an opposite side elevational view thereof.
FIG. 6 is a bottom plan view thereof; and,
FIG. 7 is a top plan view thereof.

1 Claim, 5 Drawing Sheets



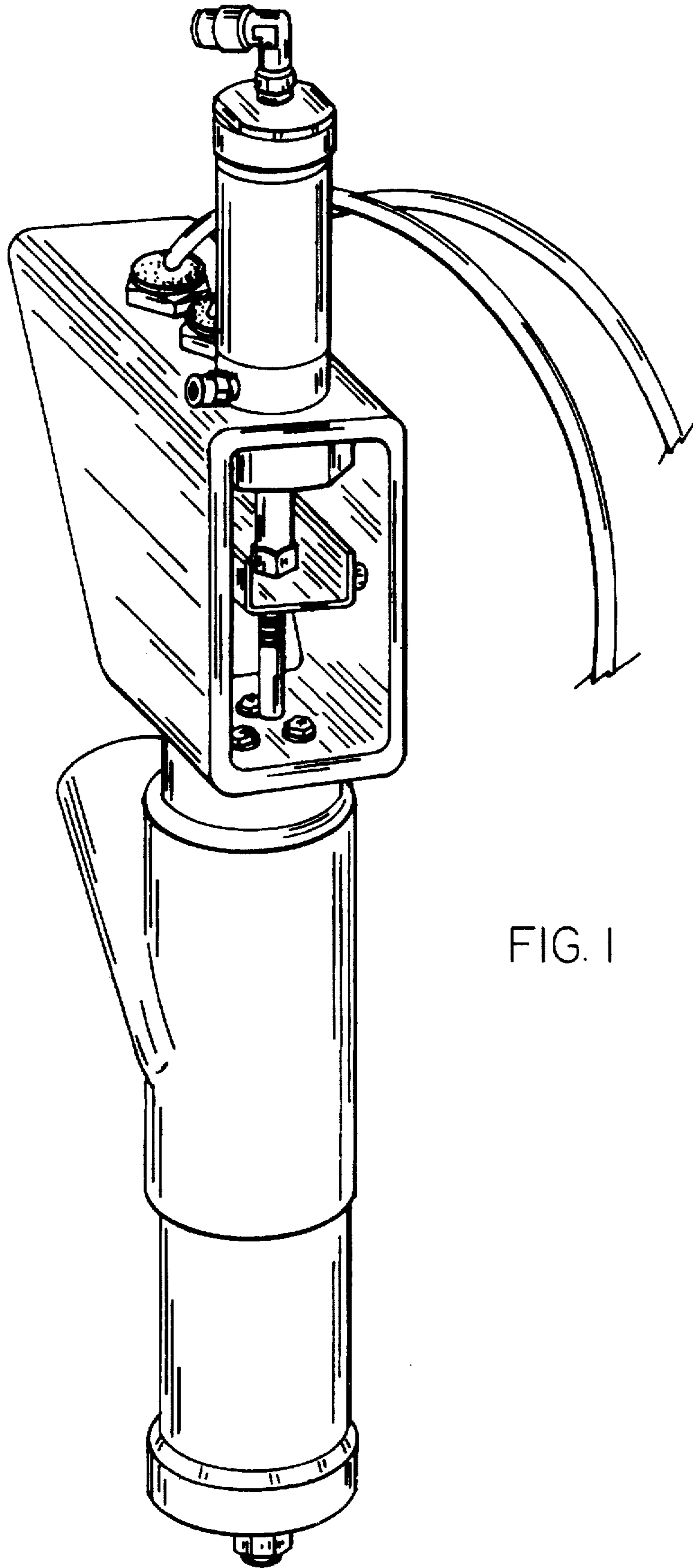


FIG. 1

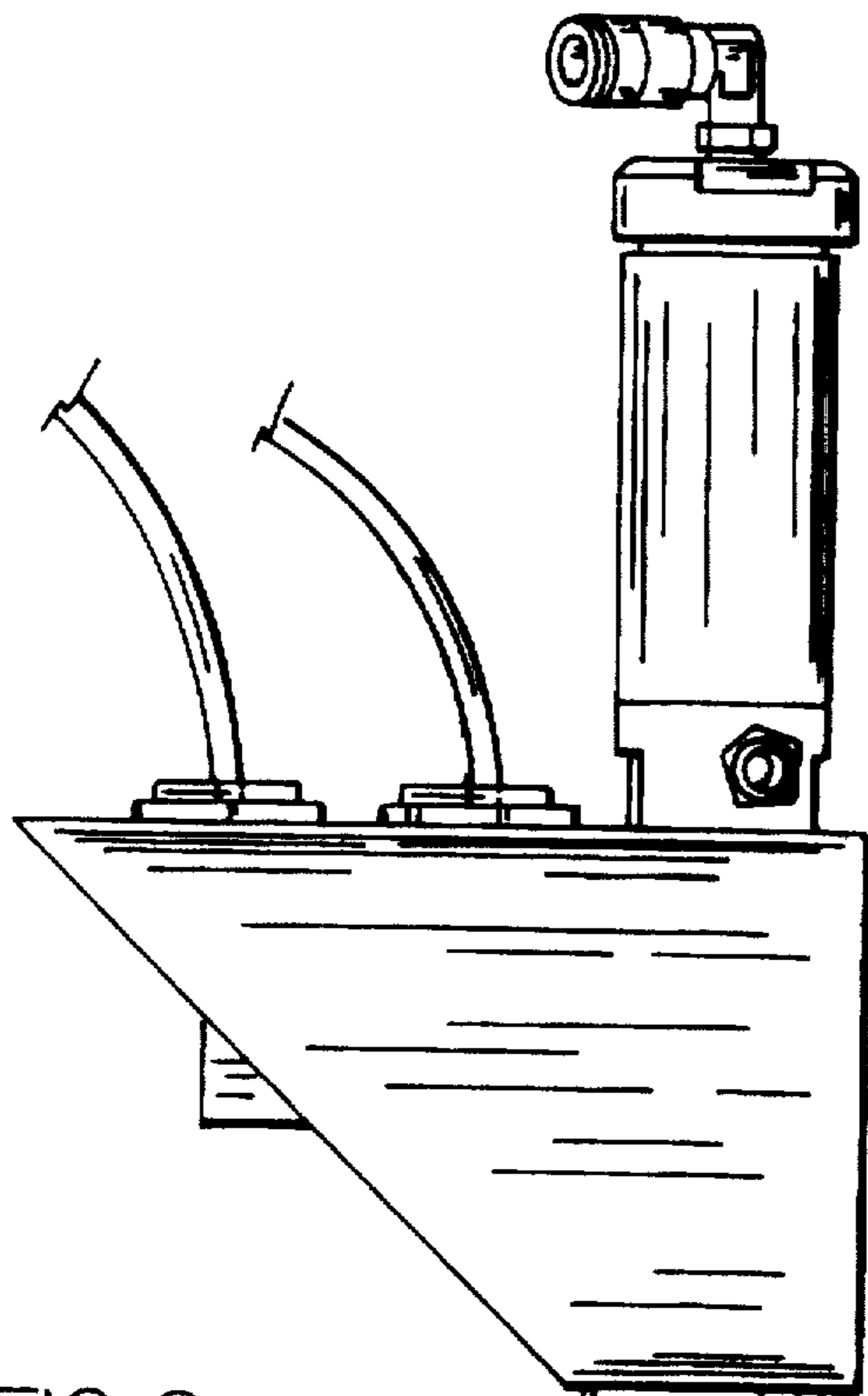


FIG. 2

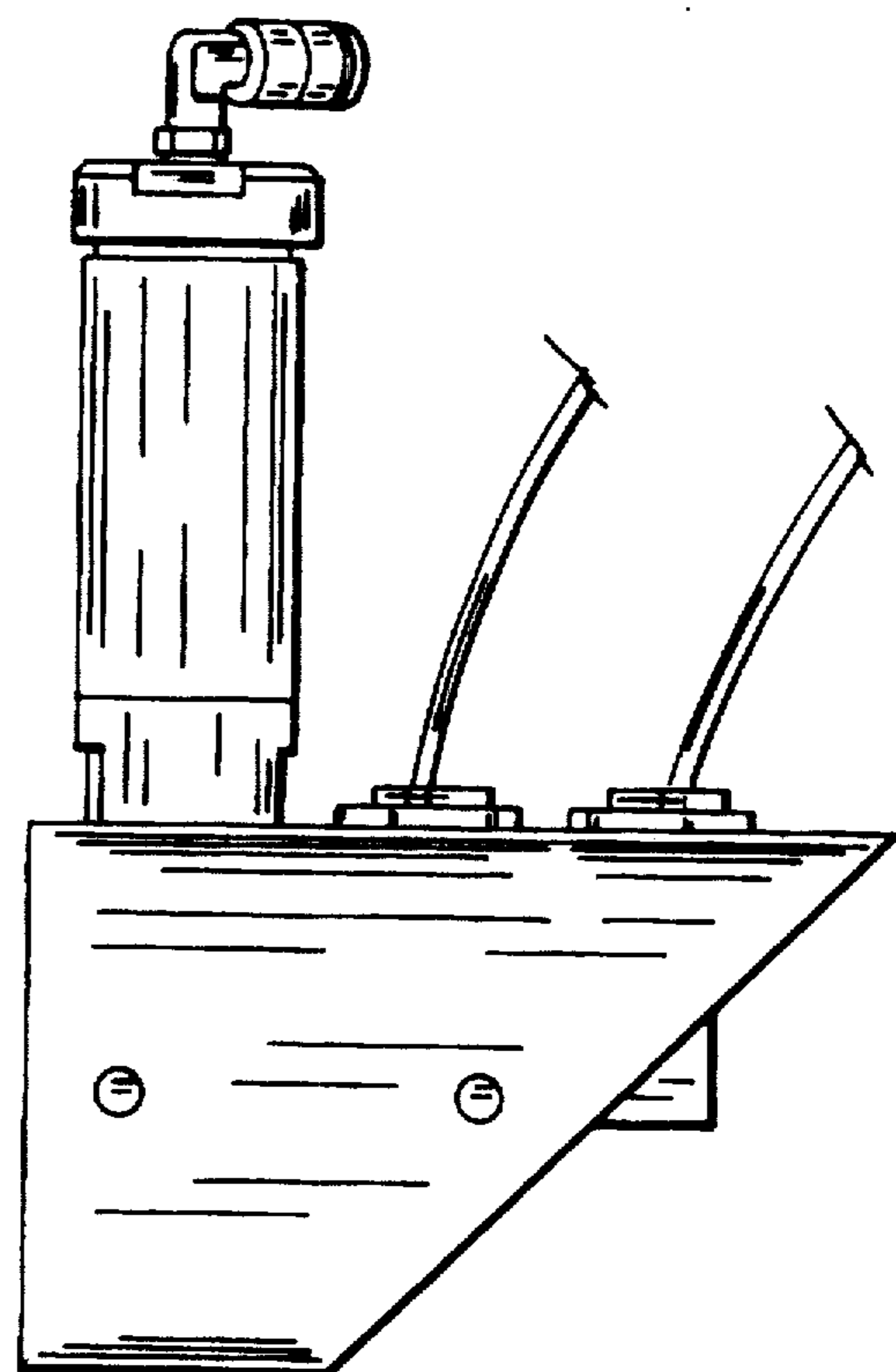
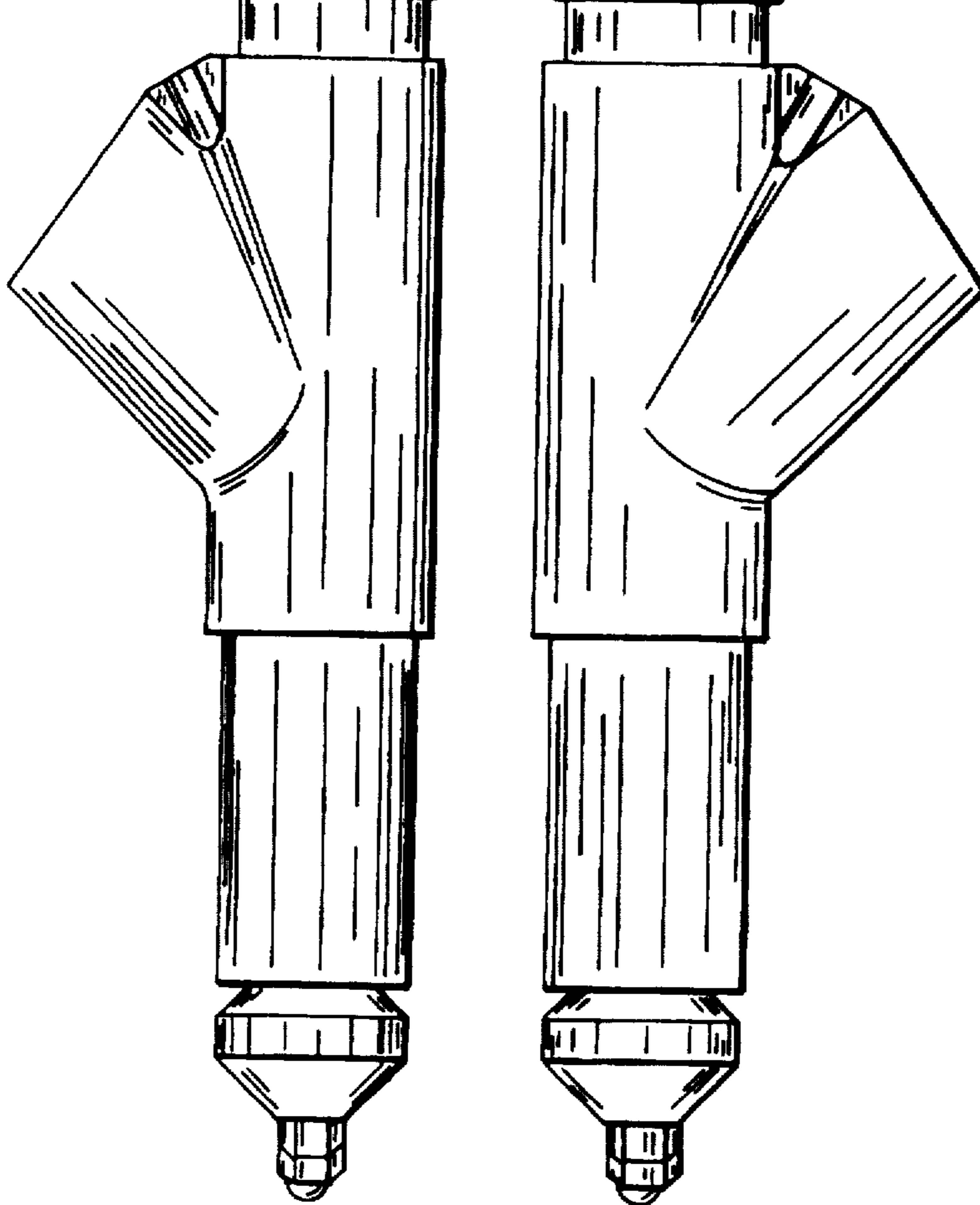


FIG. 3



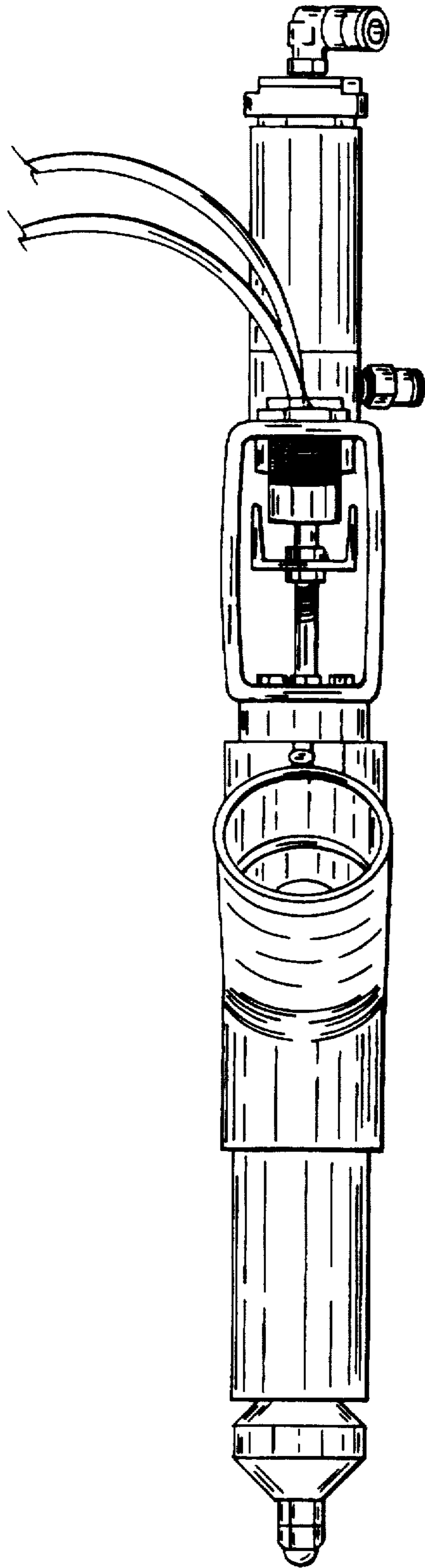


FIG. 4

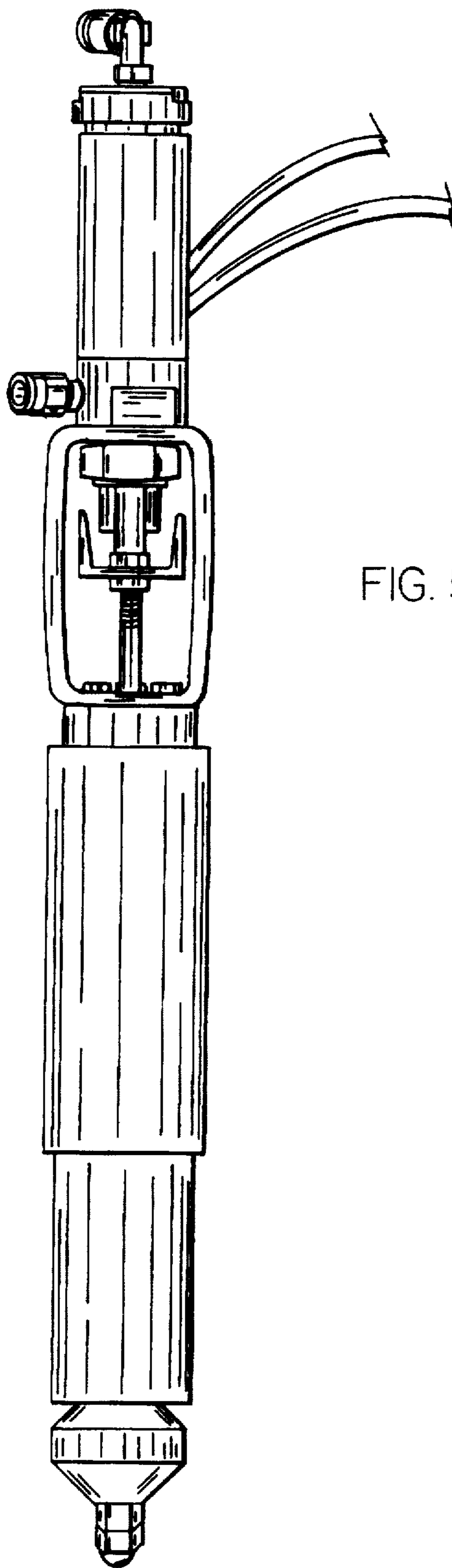


FIG. 5

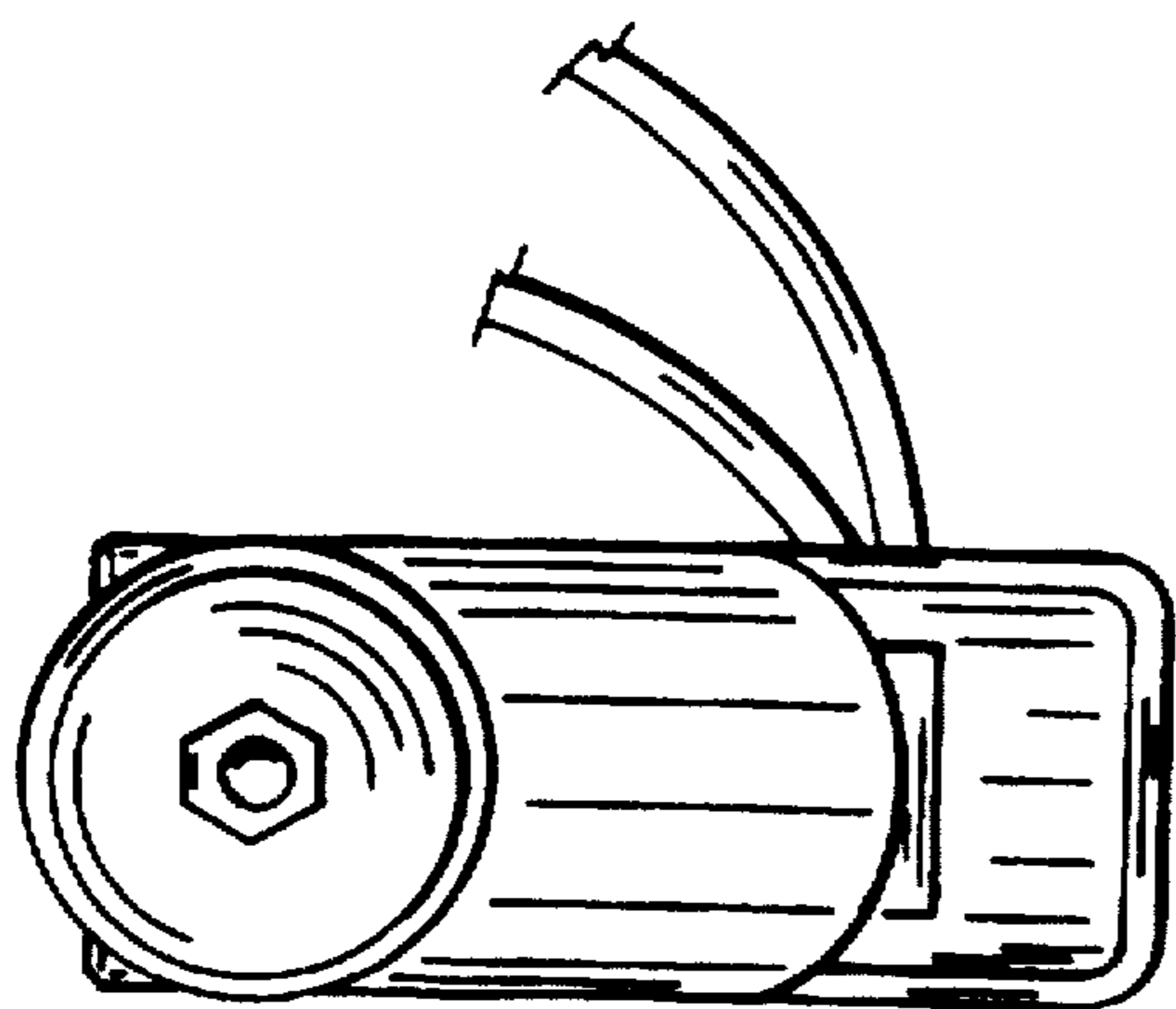


FIG. 6

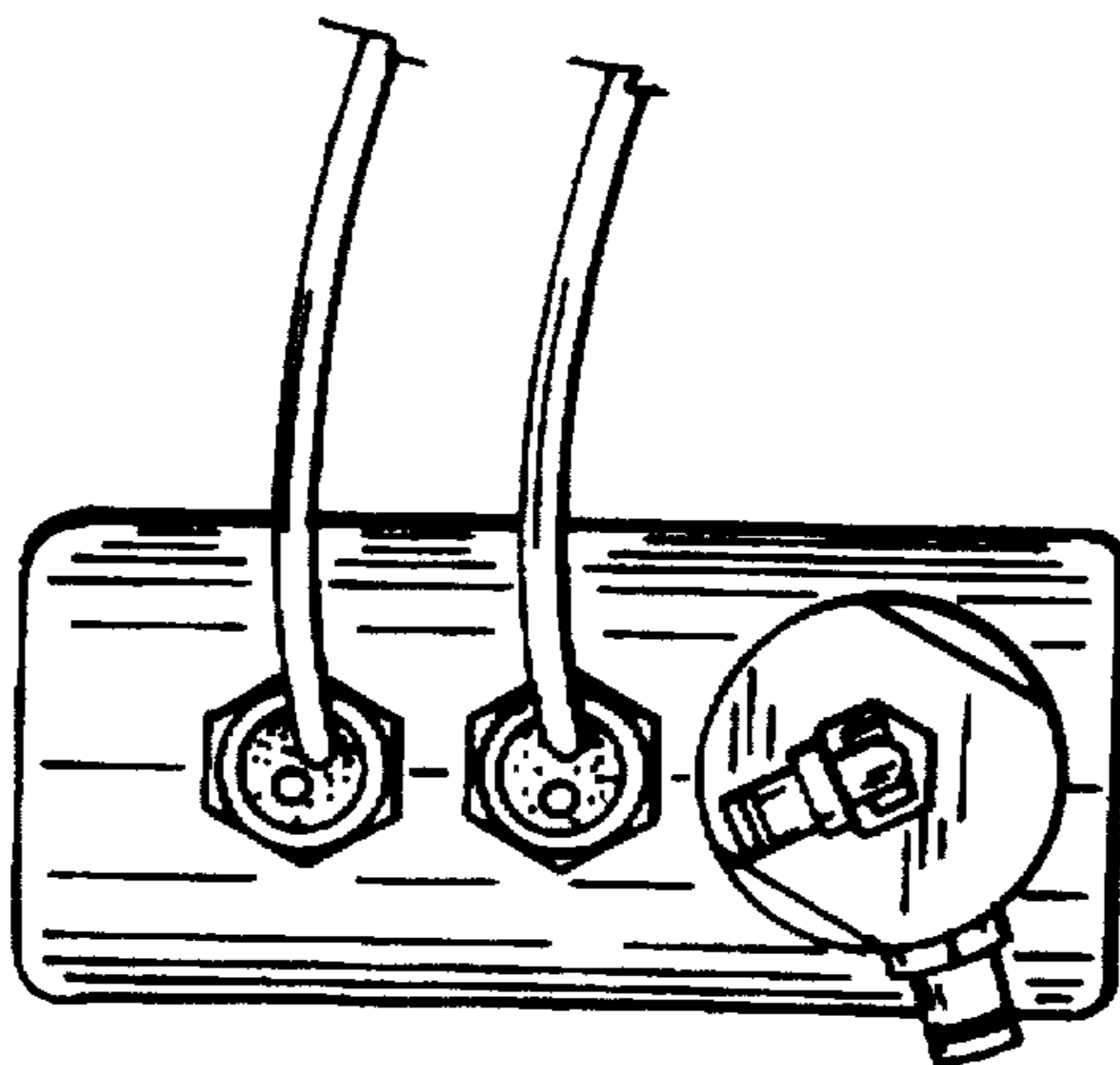


FIG. 7