



US00D393061S

**United States Patent** [19]  
**Mandich et al.**

[11] **Patent Number: Des. 393,061**  
[45] **Date of Patent: \*\*Mar. 31, 1998**

[54] **FEMALE URINATION AID**  
[76] **Inventors: Pete Mandich**, 1103 Sheffield Ave.,  
Aliquippa, Pa. 15001; **Martha Rains**,  
1069 Franklin Ave., Baden, Pa. 15005

5,091,998 3/1992 Drazabal ..... 4/144.4  
5,622,183 4/1997 Hazard et al. .... 4/144.4 X

[\*\*] **Term: 14 Years**

*Primary Examiner*—Louis S. Zarfes  
*Assistant Examiner*—Eric Watterson  
*Attorney, Agent, or Firm*—John D. Gugliotta

[21] **Appl. No.: 68,053**

[57] **CLAIM**

[22] **Filed: Mar. 19, 1997**

The ornamental design for a female urination aid, as shown and described.

[51] **LOC (6) Cl. .... 23-02**

**DESCRIPTION**

[52] **U.S. Cl. .... D23/309; D24/122**

FIG. 1 is a perspective view of a female urination aid showing my new design;

[58] **Field of Search .... D23/303, 309;**

FIG. 2 is a front elevational view thereof;

4/144.1-144.4; 604/329, 347, 350

FIG. 3 is a rear elevational view thereof;

[56] **References Cited**

FIG. 4 is a side elevational view thereof, the opposite side being a mirror image;

**U.S. PATENT DOCUMENTS**

FIG. 5 is a top plan view thereof; and,

3,613,122 10/1991 Gross et al. .... 4/144.4

FIG. 6 is a bottom plan view thereof.

3,964,111 6/1976 Packer ..... 4/144.4

4,771,484 9/1988 Mozell ..... 4/144.4

4,784,184 11/1988 Gates ..... 4/144.4

**1 Claim, 1 Drawing Sheet**



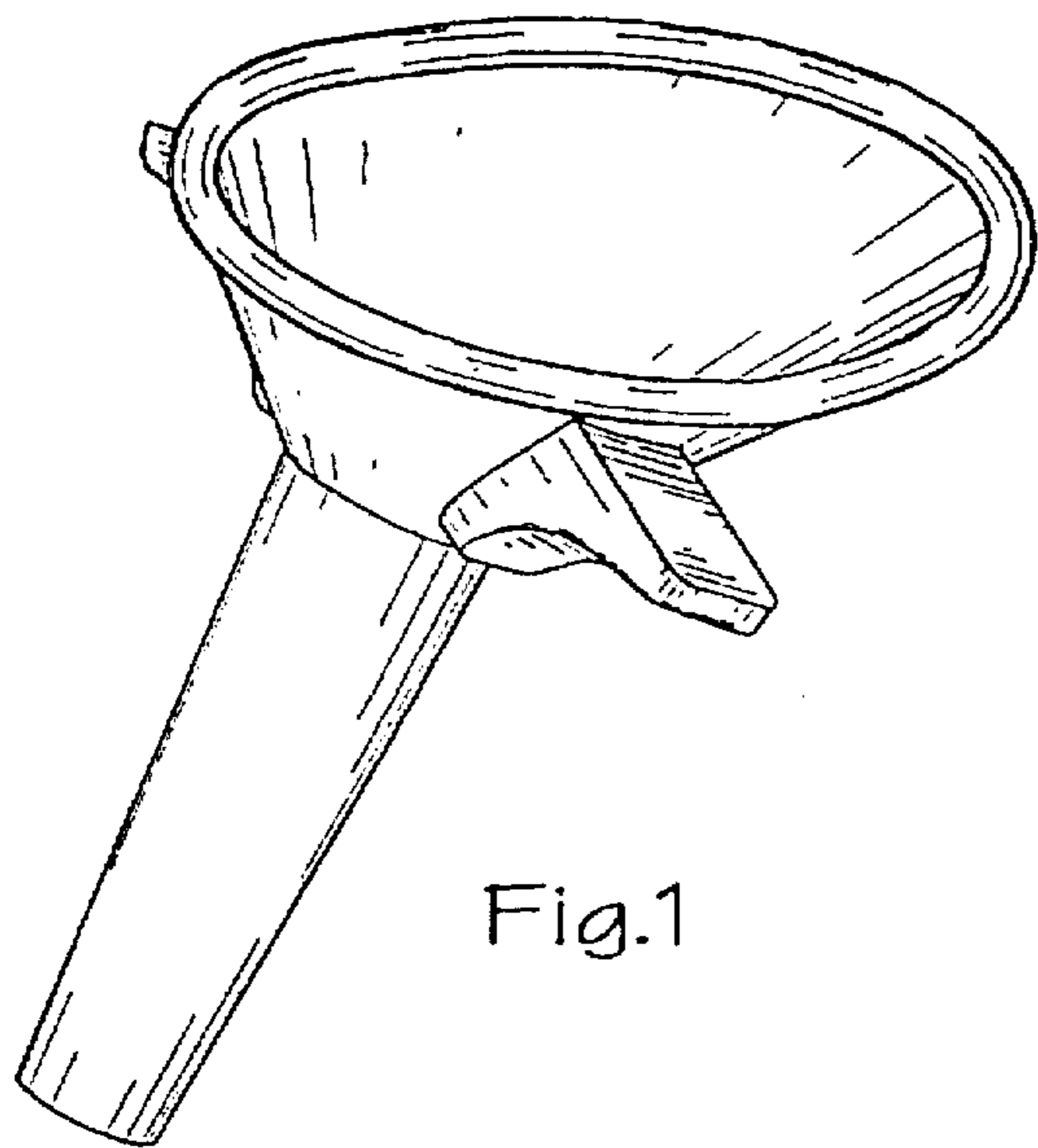


Fig.1

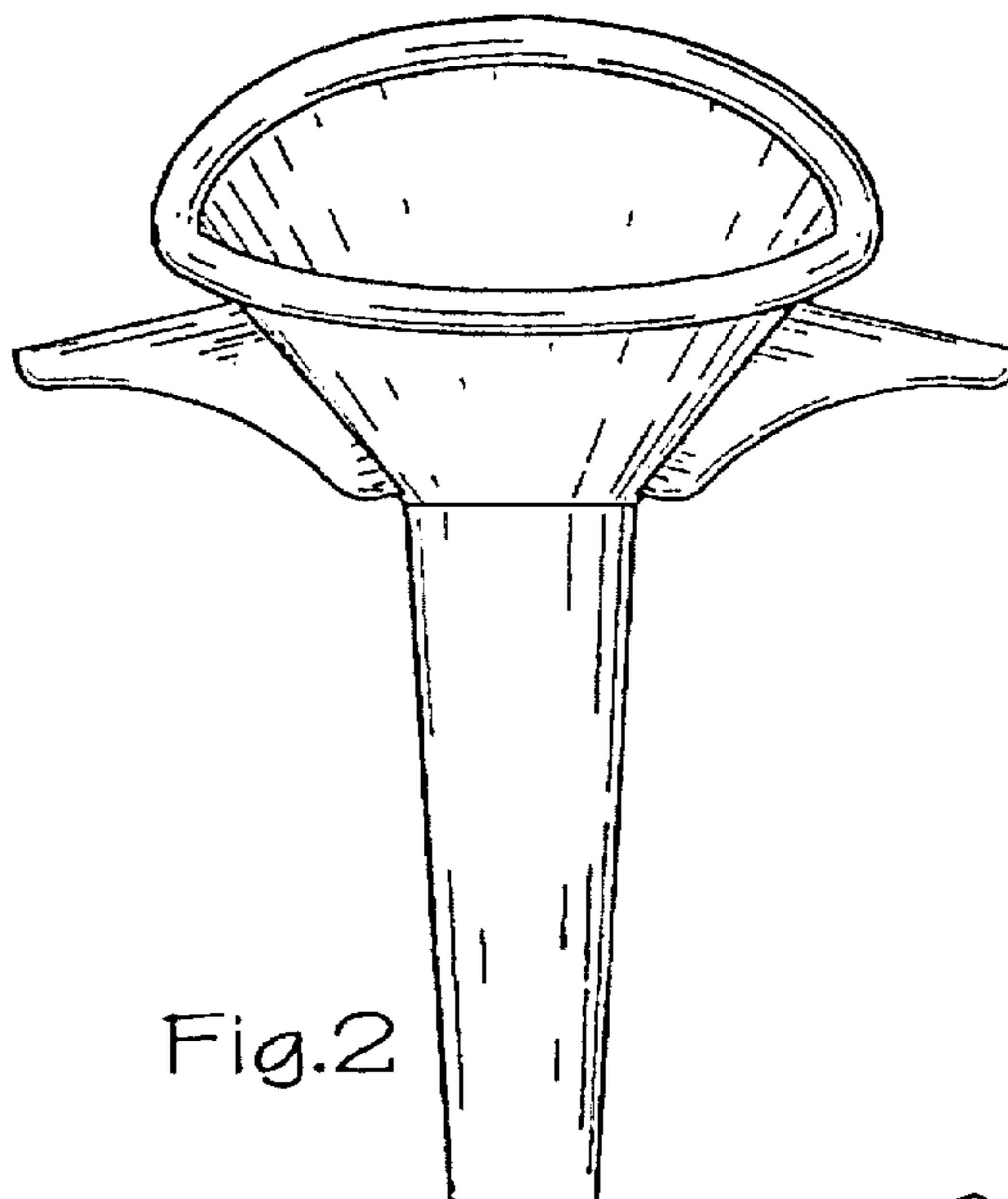


Fig.2

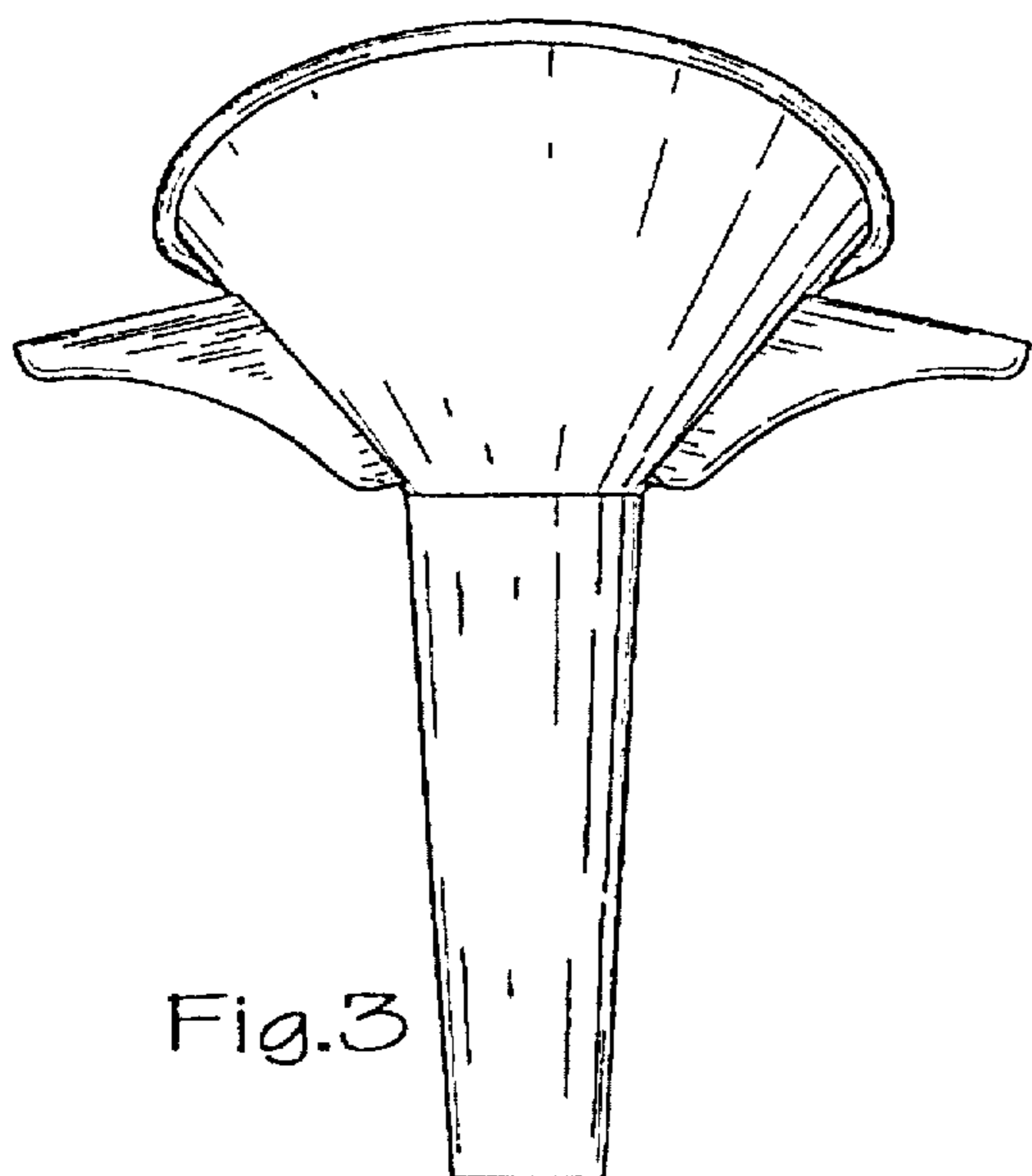


Fig.3

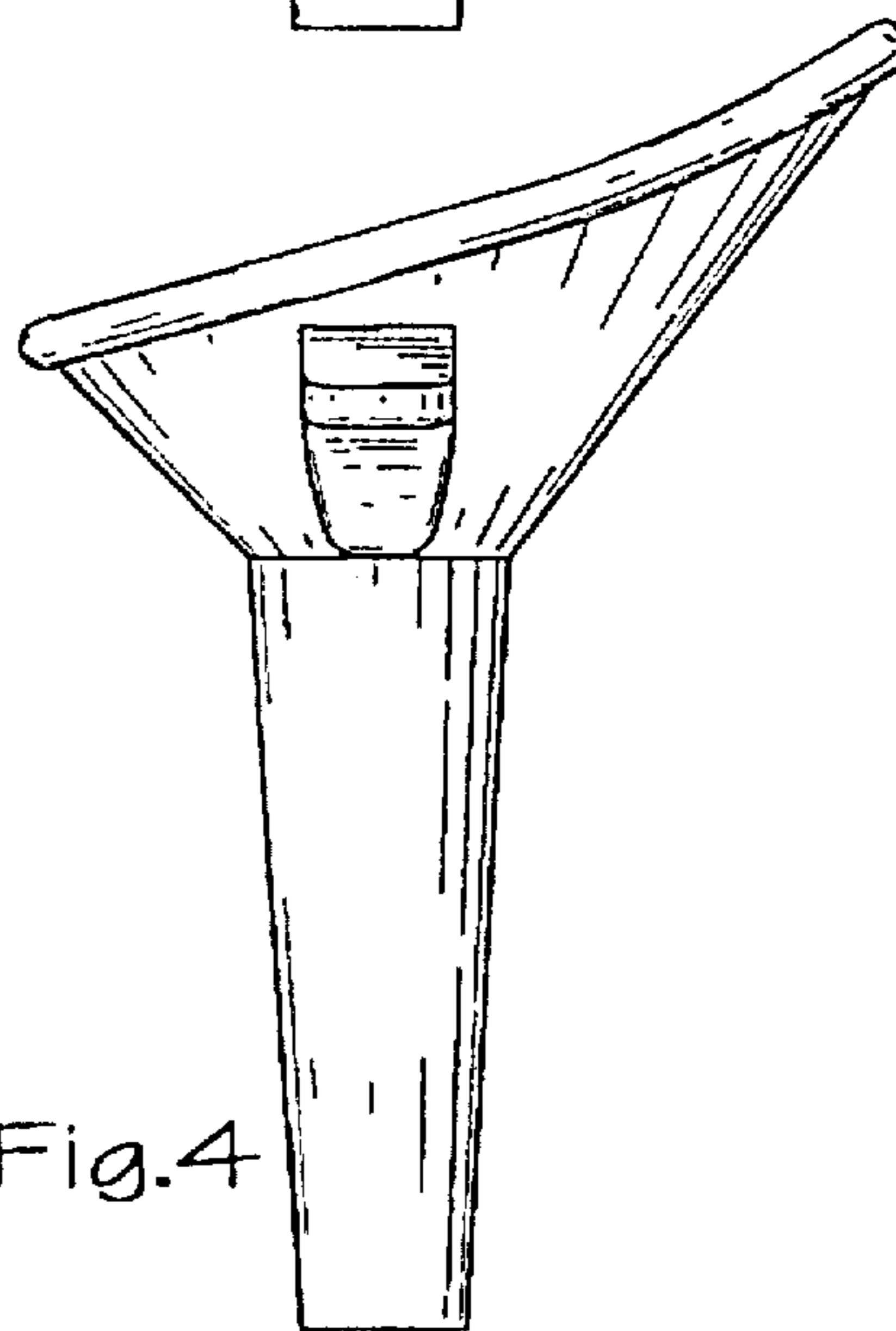


Fig.4

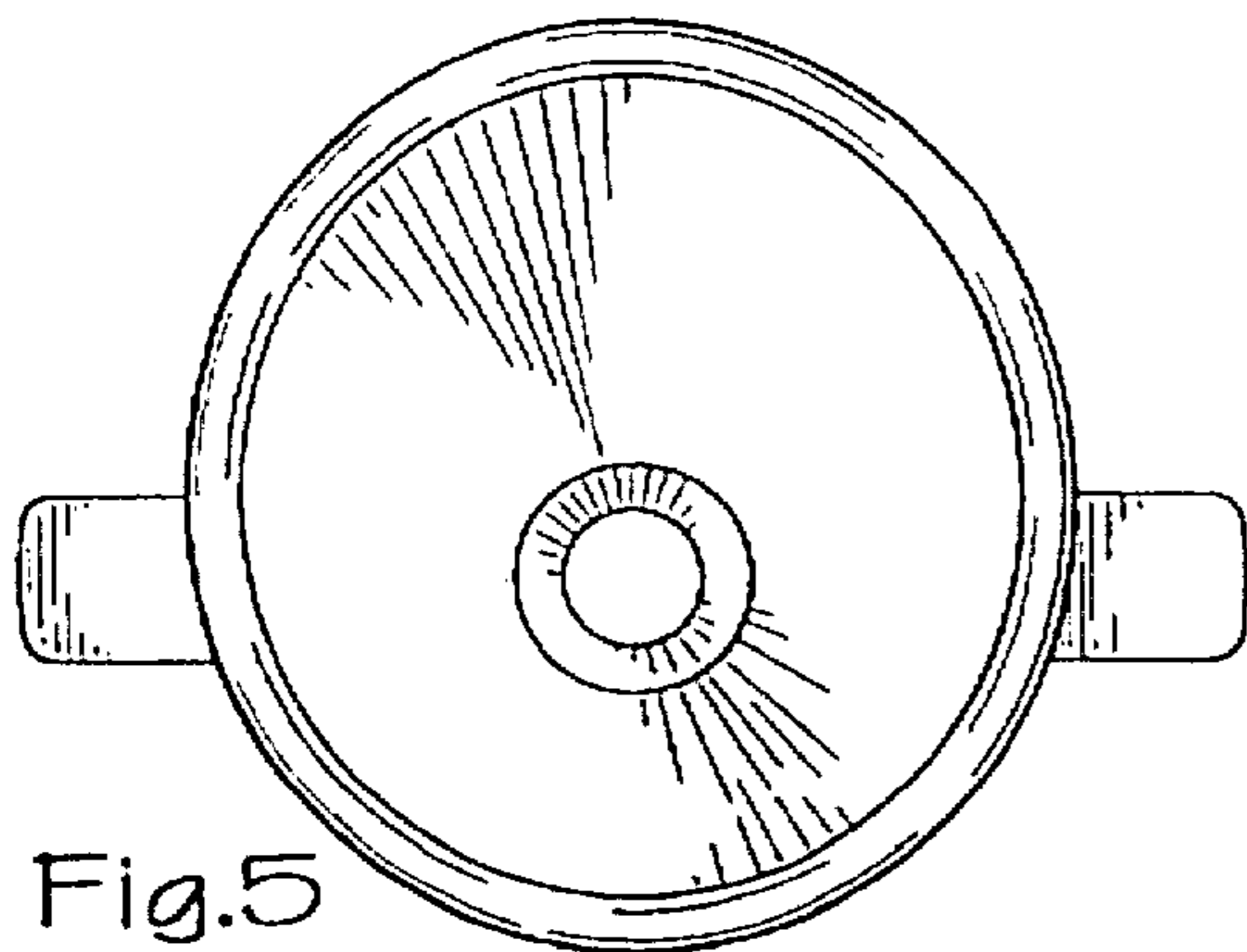


Fig.5

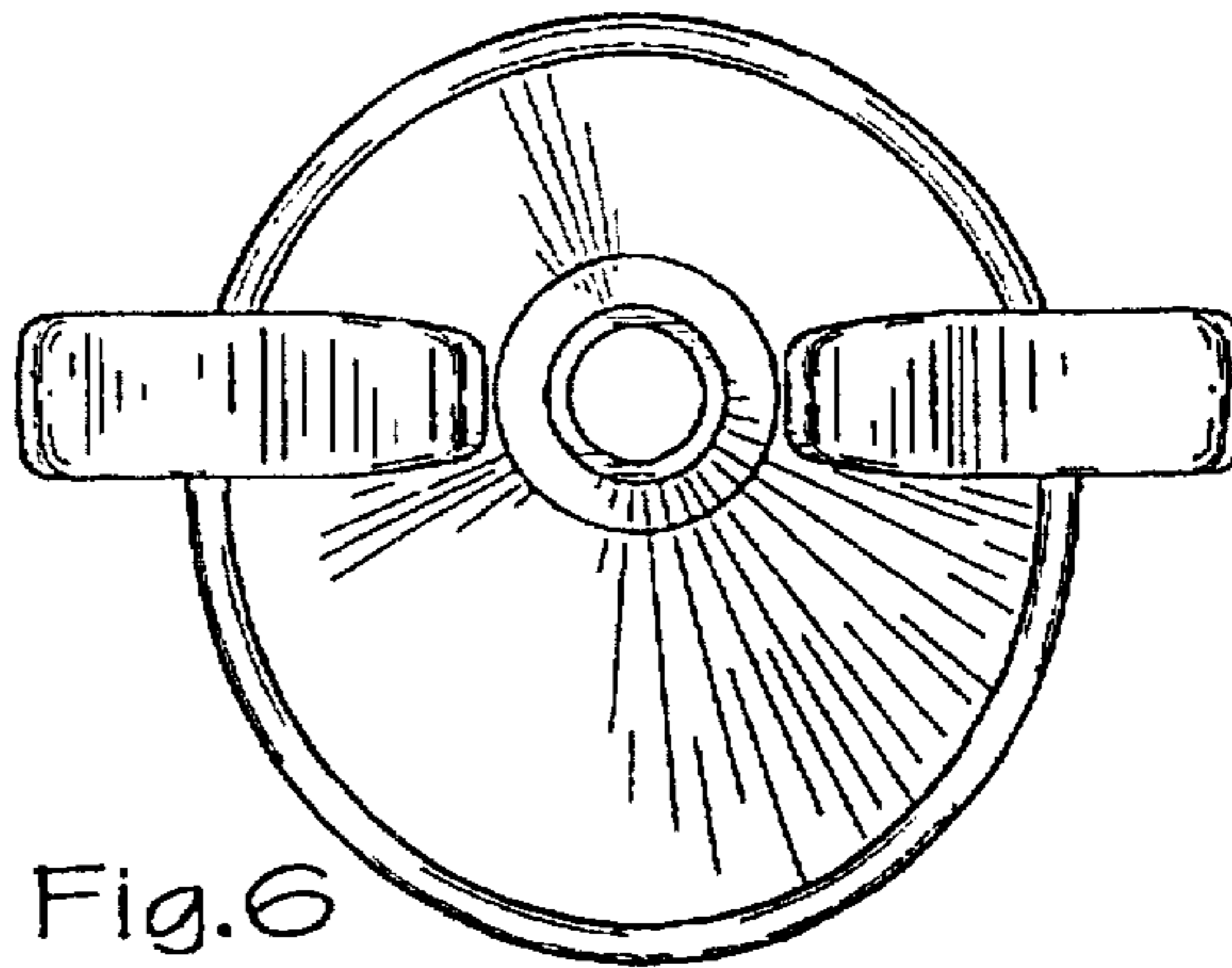


Fig.6