



US00D393060S

United States Patent [19]
Ehrensperger

[11] **Patent Number: Des. 393,060**
[45] **Date of Patent: **Mar. 31, 1998**

[54] **WATER-CLOSET WITH A SELF-CLEANING SEAT**

[76] **Inventor: Markus Ehrensperger, Weststrasse 3, CH-8442 Hettlingen, Switzerland**

[**] **Term: 14 Years**

[21] **Appl. No.: 66,187**

[22] **Filed: Feb. 6, 1997**

[30] **Foreign Application Priority Data**

Aug. 8, 1996 [EP] European Pat. Off. DM/037179

[51] **LOC (6) Cl. 23-02**

[52] **U.S. Cl. D23/301**

[58] **Field of Search D23/295, 298, D23/299, 300, 301; 4/353, 421, 424, 428, 430, 664, 300, DIG. 2, 233**

[56] **References Cited**

U.S. PATENT DOCUMENTS

- D. 323,551 1/1992 Boit D23/301
- D. 331,451 12/1992 Bourgeois D23/301 X
- D. 346,854 5/1994 Reid D23/301

- 358,201 5/1887 Wilhelm et al. D23/260
- 3,658,872 4/1972 Wilhelm et al. D23/299
- 4,729,133 3/1988 Wileman, III 4/233
- 4,734,942 4/1988 Blanchard 4/233

Primary Examiner—Louis S. Zarfaz
Assistant Examiner—Eric Watterson
Attorney, Agent, or Firm—Schweitzer Cornman Gross & Bondell LLP

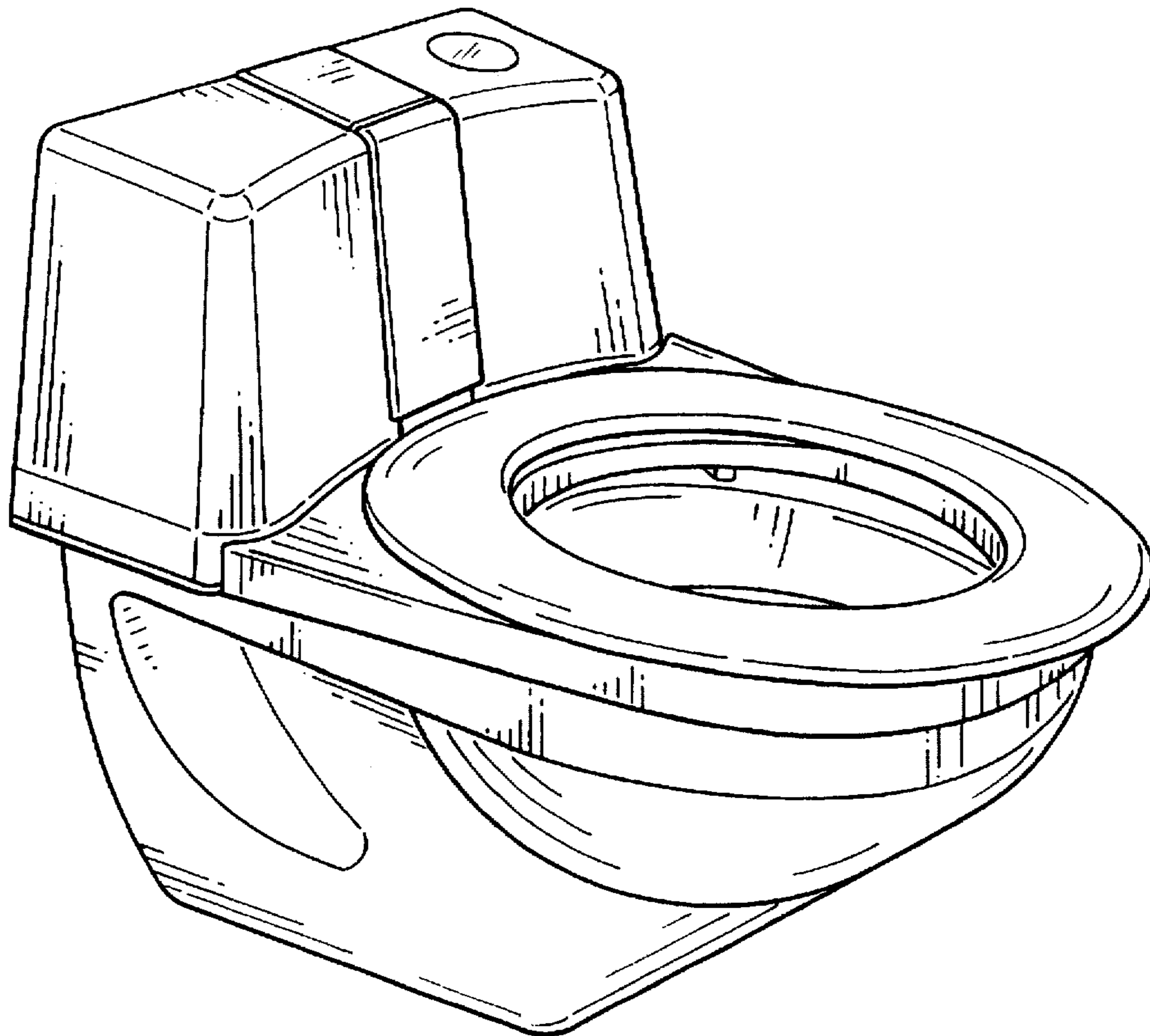
[57] **CLAIM**

The ornamental design for a water-closet with a self-cleaning seat, as shown and described.

DESCRIPTION

FIG. 1 is a perspective view taken from the top front and right side of a water-closet with a self-cleaning seat showing my new design;
FIG. 2 is a front elevational view thereof;
FIG. 3 is a rear elevational view thereof;
FIG. 4 is a right side elevational view thereof;
FIG. 5 is a left side elevational view thereof;
FIG. 6 is a top plan view thereof; and,
FIG. 7 is a bottom plan view thereof.

1 Claim, 4 Drawing Sheets



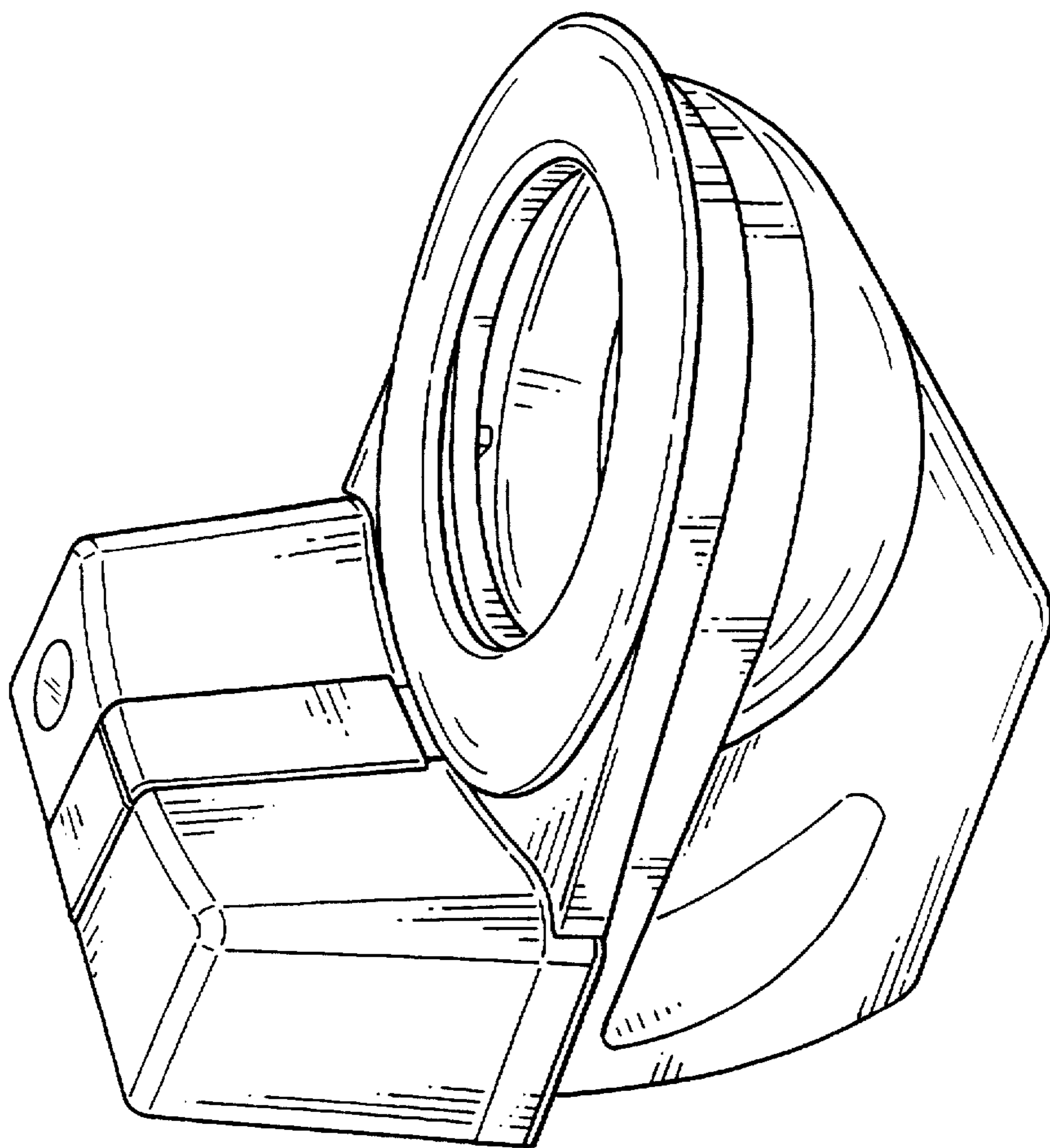


FIG. 1

FIG. 3

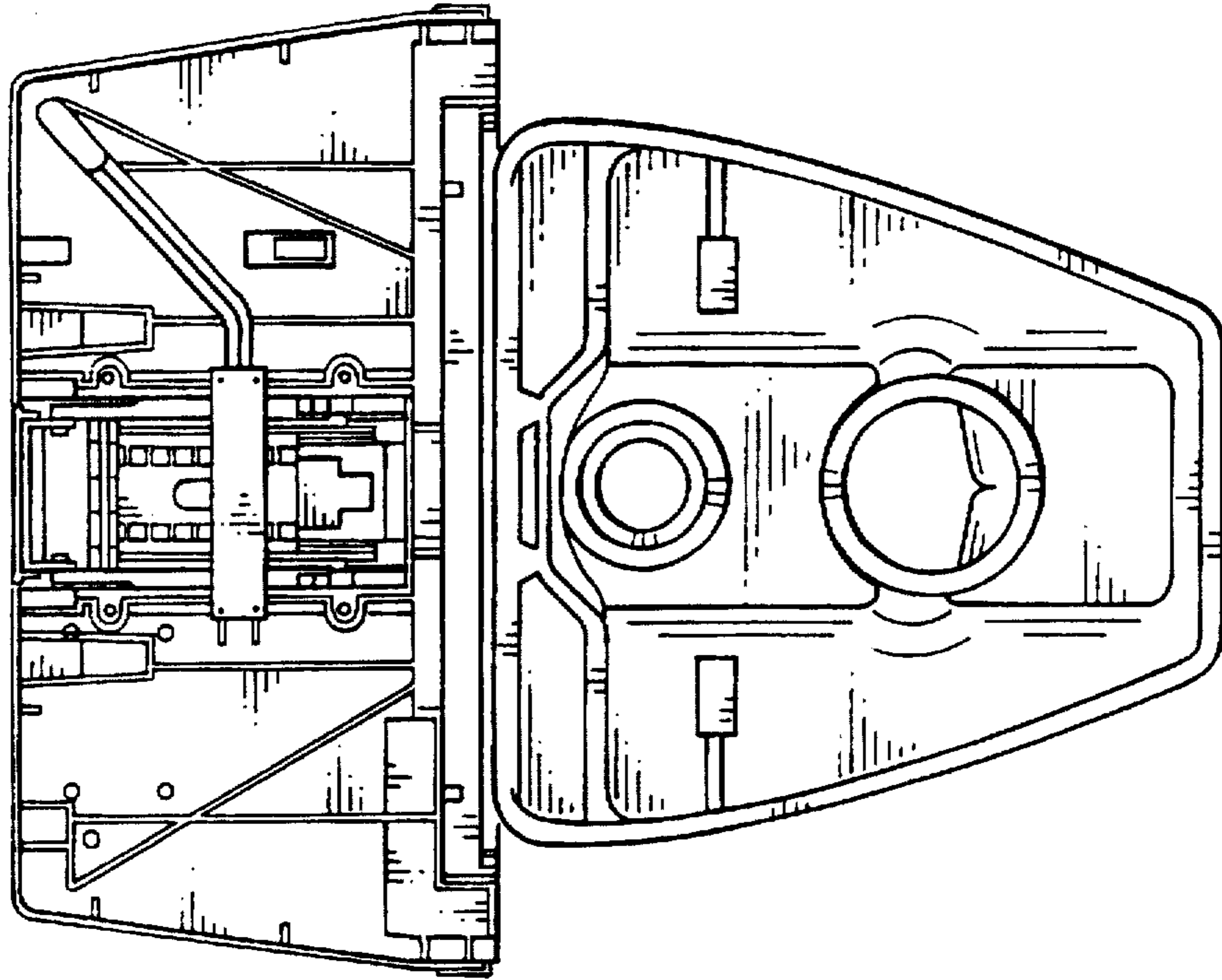
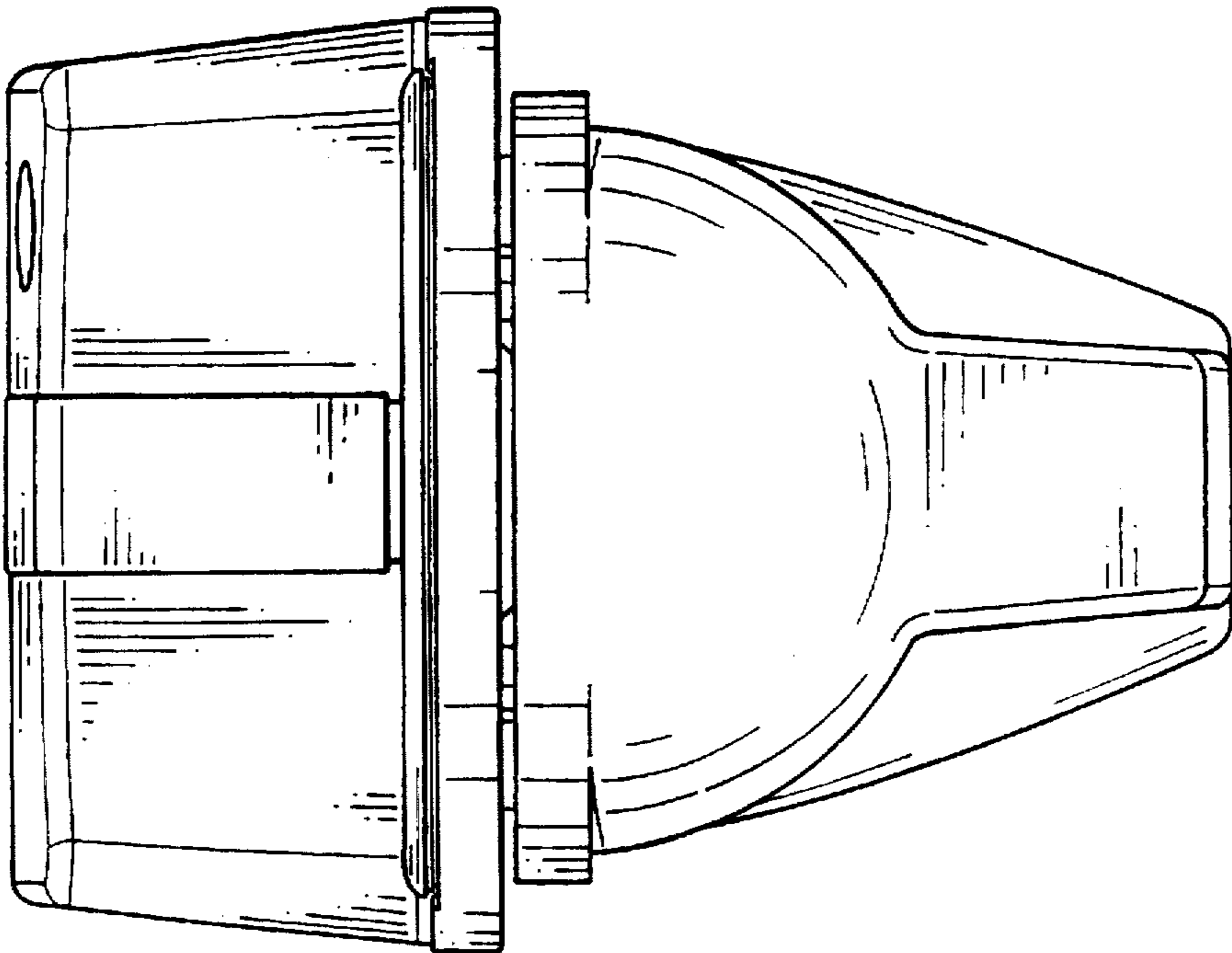


FIG. 2



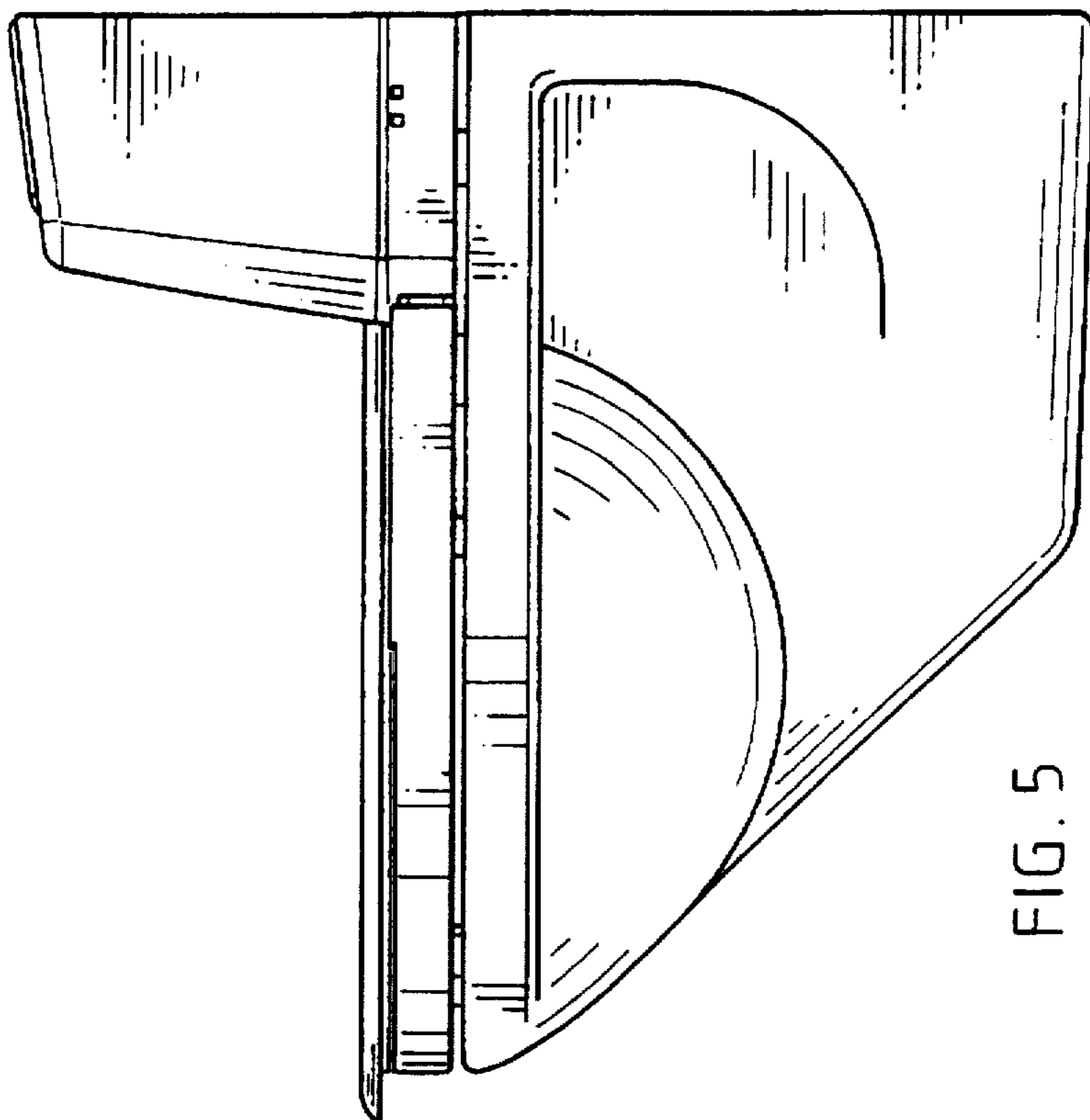


FIG. 5

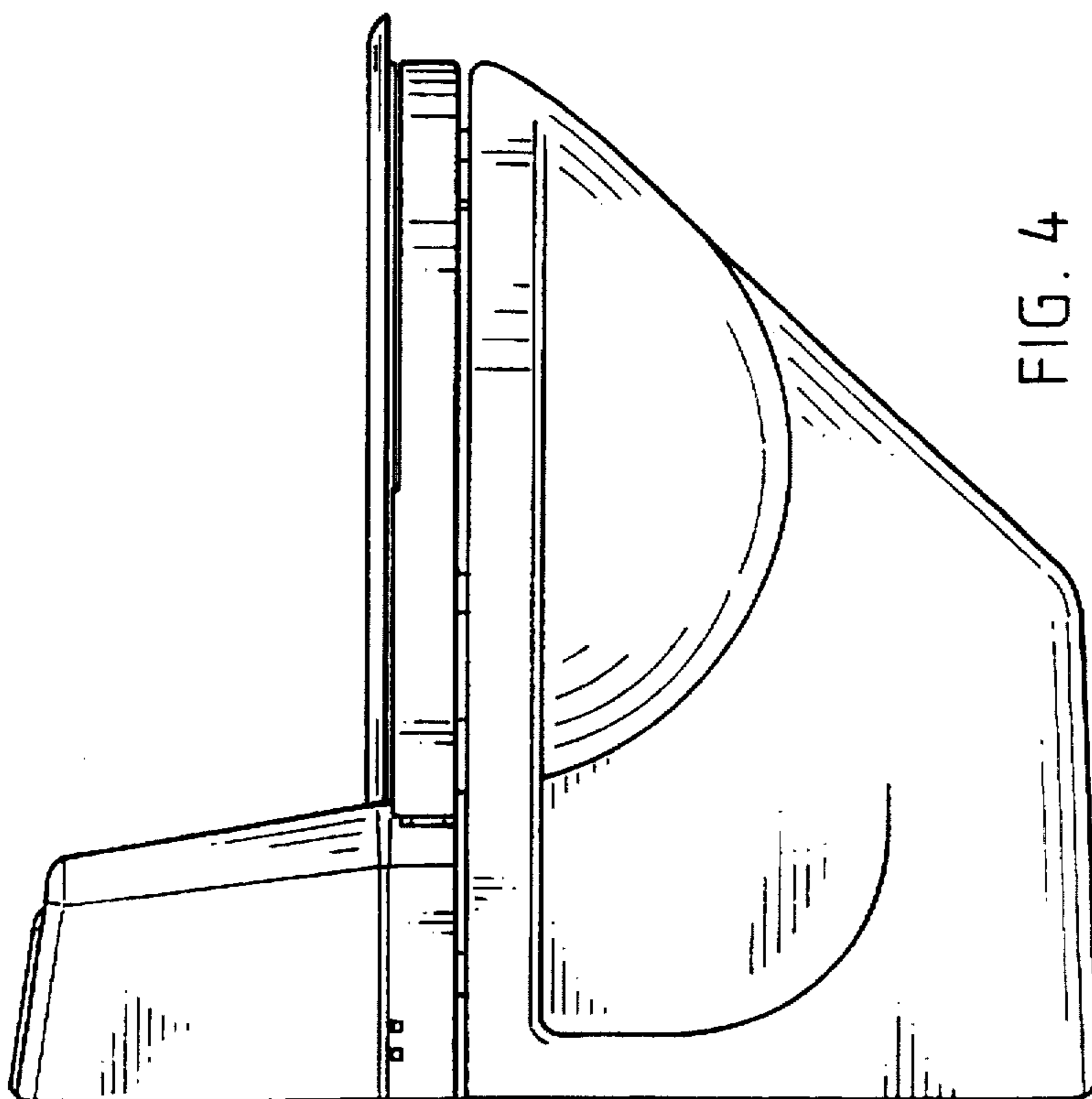


FIG. 4

FIG. 7

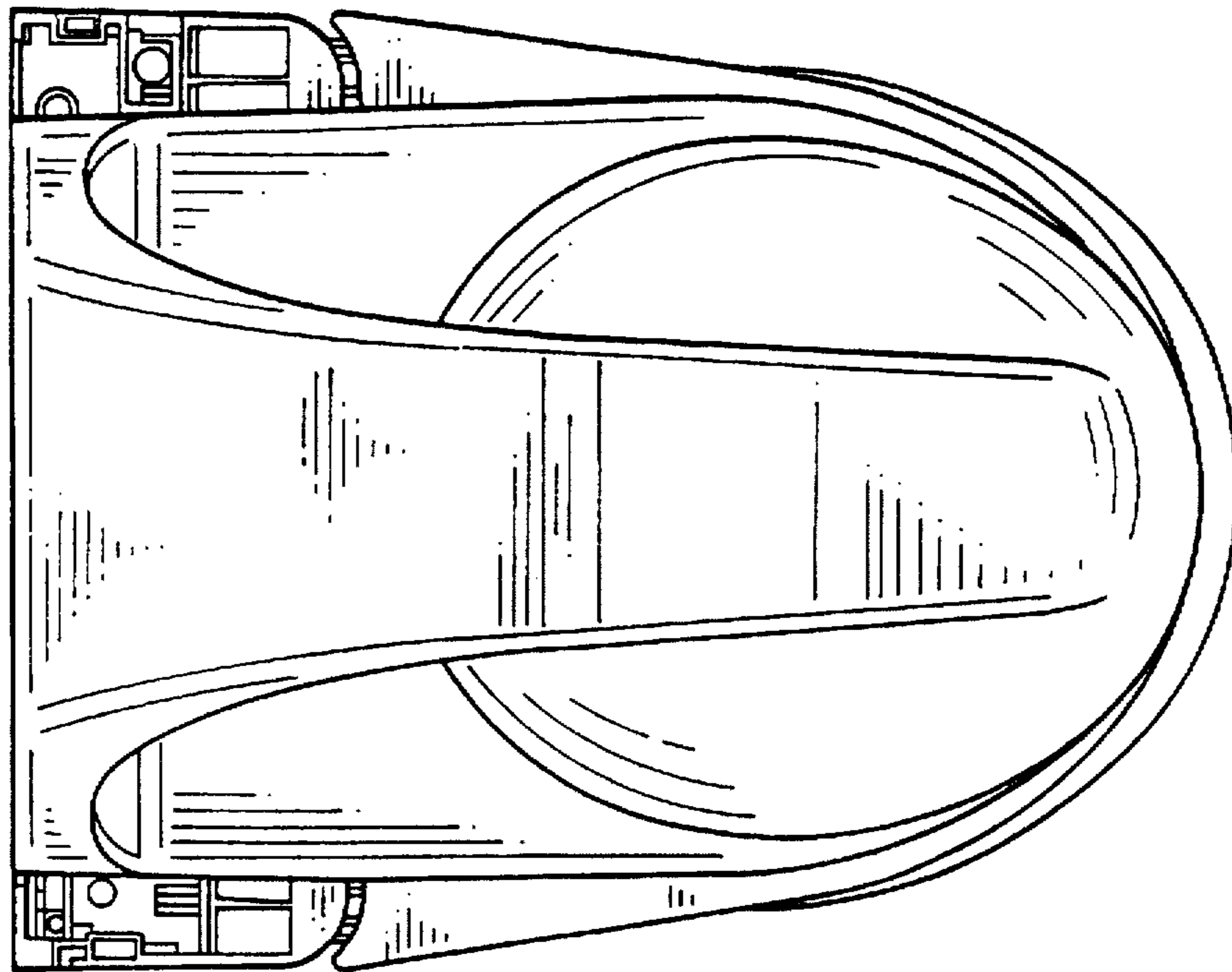


FIG. 6

