



US00D393059S

United States Patent [19]
Garza

[11] **Patent Number: Des. 393,059**
[45] **Date of Patent: **Mar. 31, 1998**

[54] **TOILET**

[76] **Inventor: Marcelo Garza Laguera Garza,**
Acambaro No. 459 Col CD. Industrial,
36541, Irapuato, Guanajuato, Mexico

[**] **Term: 14 Years**

[21] **Appl. No.: 70,027**

[22] **Filed: Apr. 25, 1997**

[30] **Foreign Application Priority Data**

Oct. 25, 1996 [MX] Mexico 961067

[51] **LOC (6) Cl. 23-02**

[52] **U.S. Cl. D23/301**

[58] **Field of Search D23/285, 298,**
D23/299, 300, 301, 353, 421, 424, 428,
430, 664, DIG. 2

[56] **References Cited**

U.S. PATENT DOCUMENTS

D. 101,534 10/1936 Karshadt D23/301

D. 275,417 9/1984 Stairs, Jr. D23/301
D. 346,854 5/1994 Reid D23/301
D. 370,720 6/1996 Kaiser D23/301

Primary Examiner—Louis S. Zarfaz
Assistant Examiner—Eric Watterson
Attorney, Agent, or Firm—Pravel, Hewitt, Kimball &
Krieger

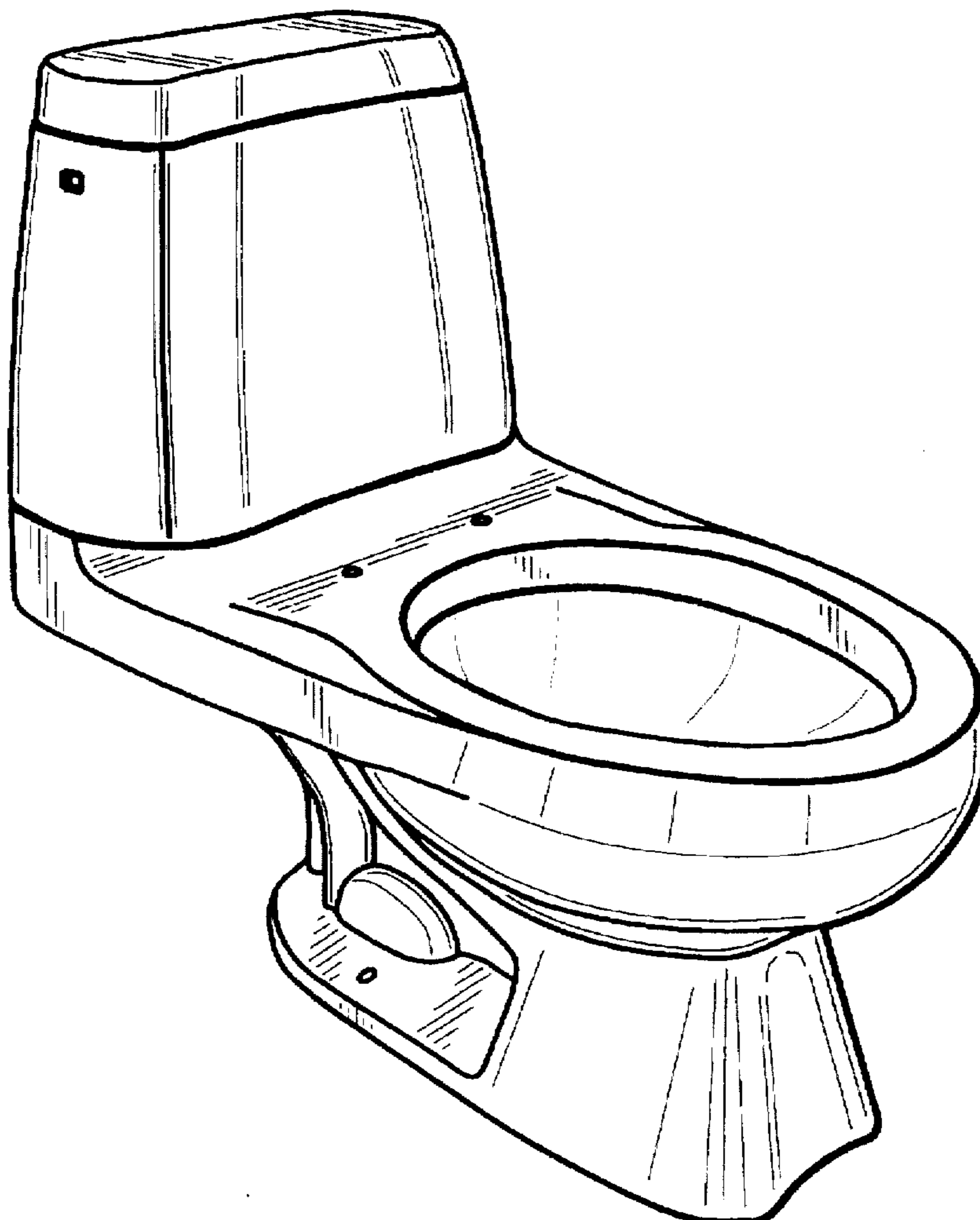
[57] **CLAIM**

The ornamental design for a toilet, as shown.

DESCRIPTION

FIG. 1 is an isometric view showing the ornamental design for a toilet according to the present invention; FIG. 2 is a front elevation view of the toilet of FIG. 1; FIG. 3 is a top plan view of the toilet of FIG. 1; FIG. 4 is a left side elevation view of the toilet of FIG. 1; FIG. 5 is a right side elevation view of the toilet of FIG. 1; and, FIG. 6 is a rear elevation view of the toilet of FIG. 1. The bottom view of the toilet of FIG. 1 is plain and unornamented.

1 Claim, 2 Drawing Sheets



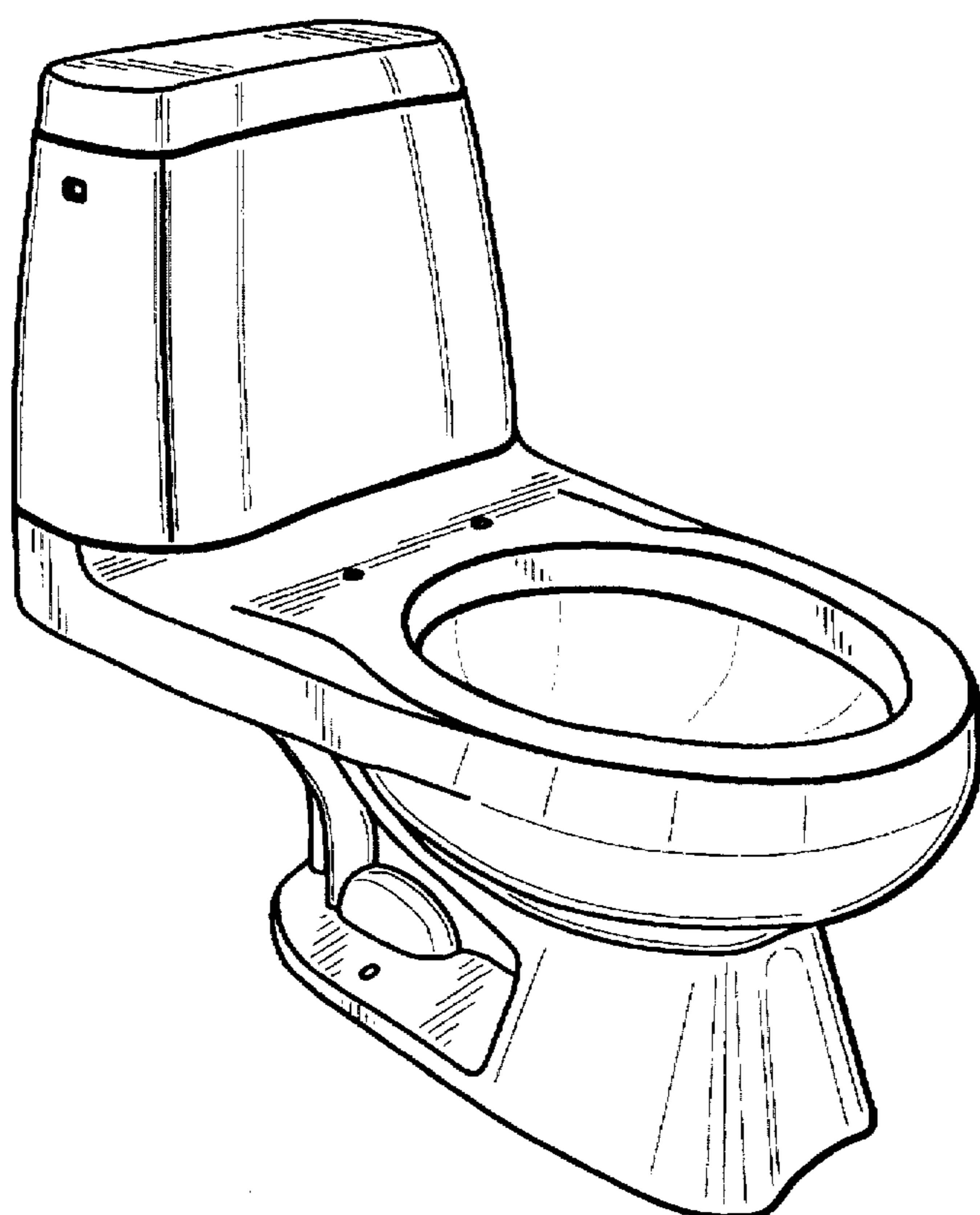


FIG. 1

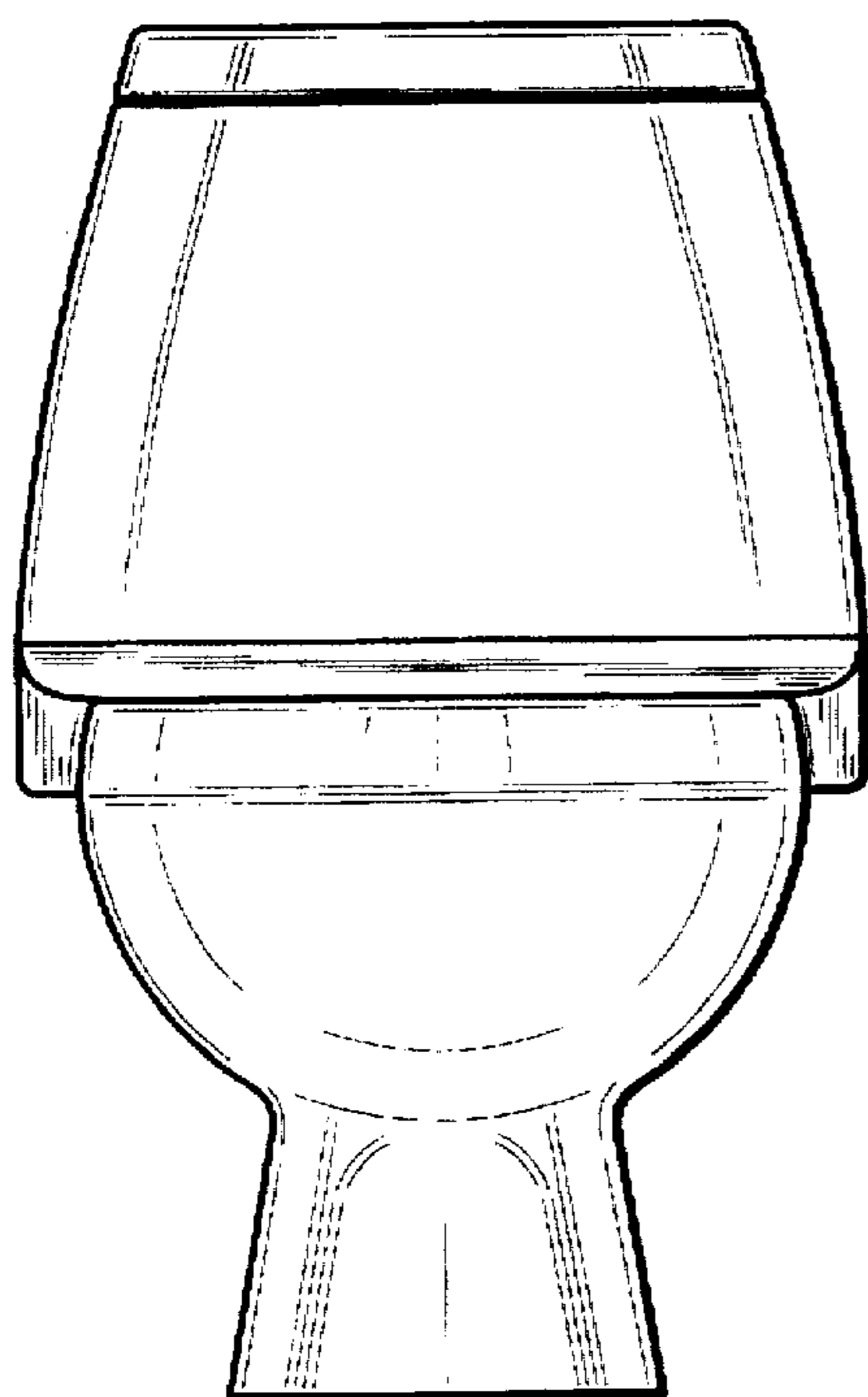


FIG. 2

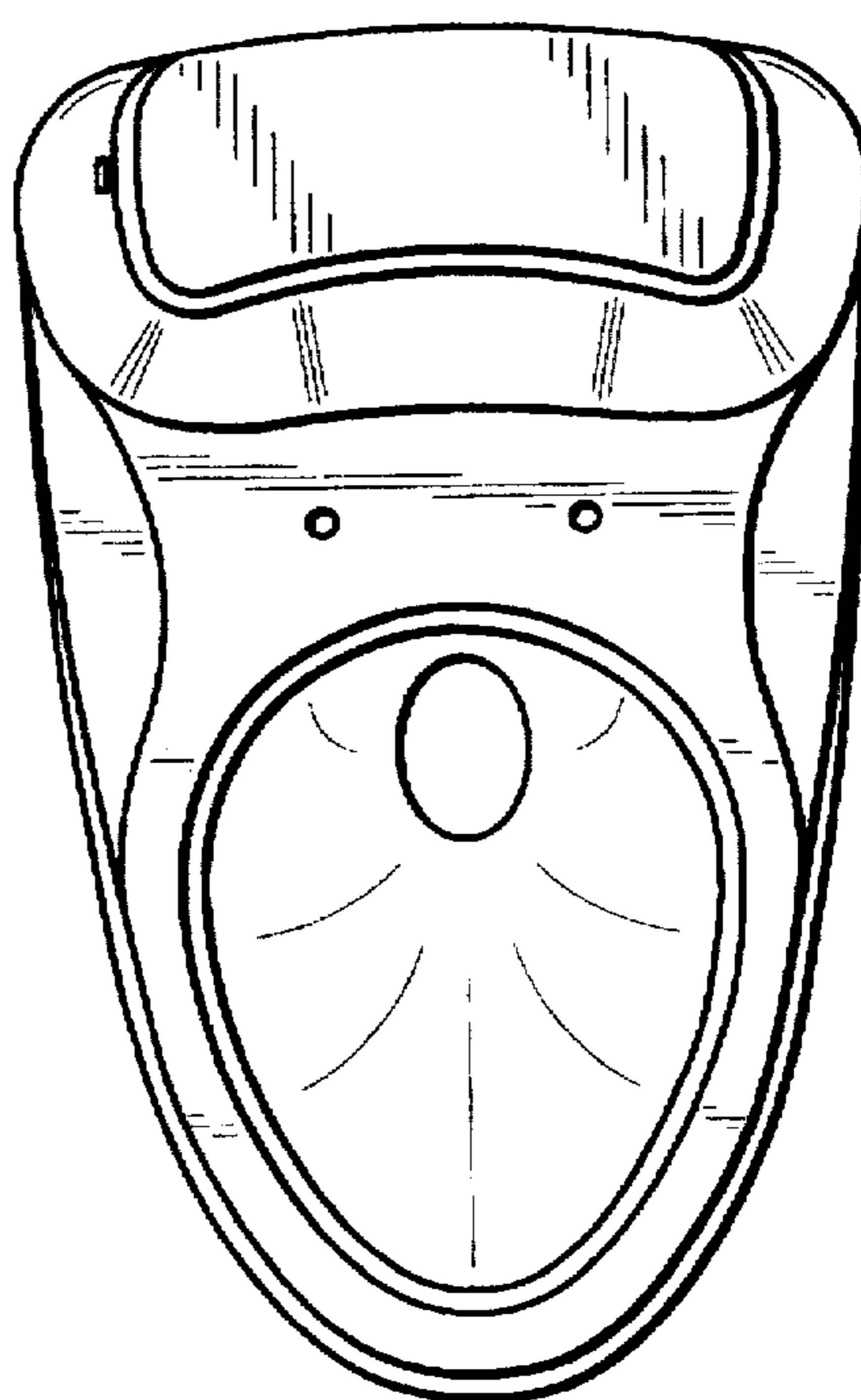


FIG. 3

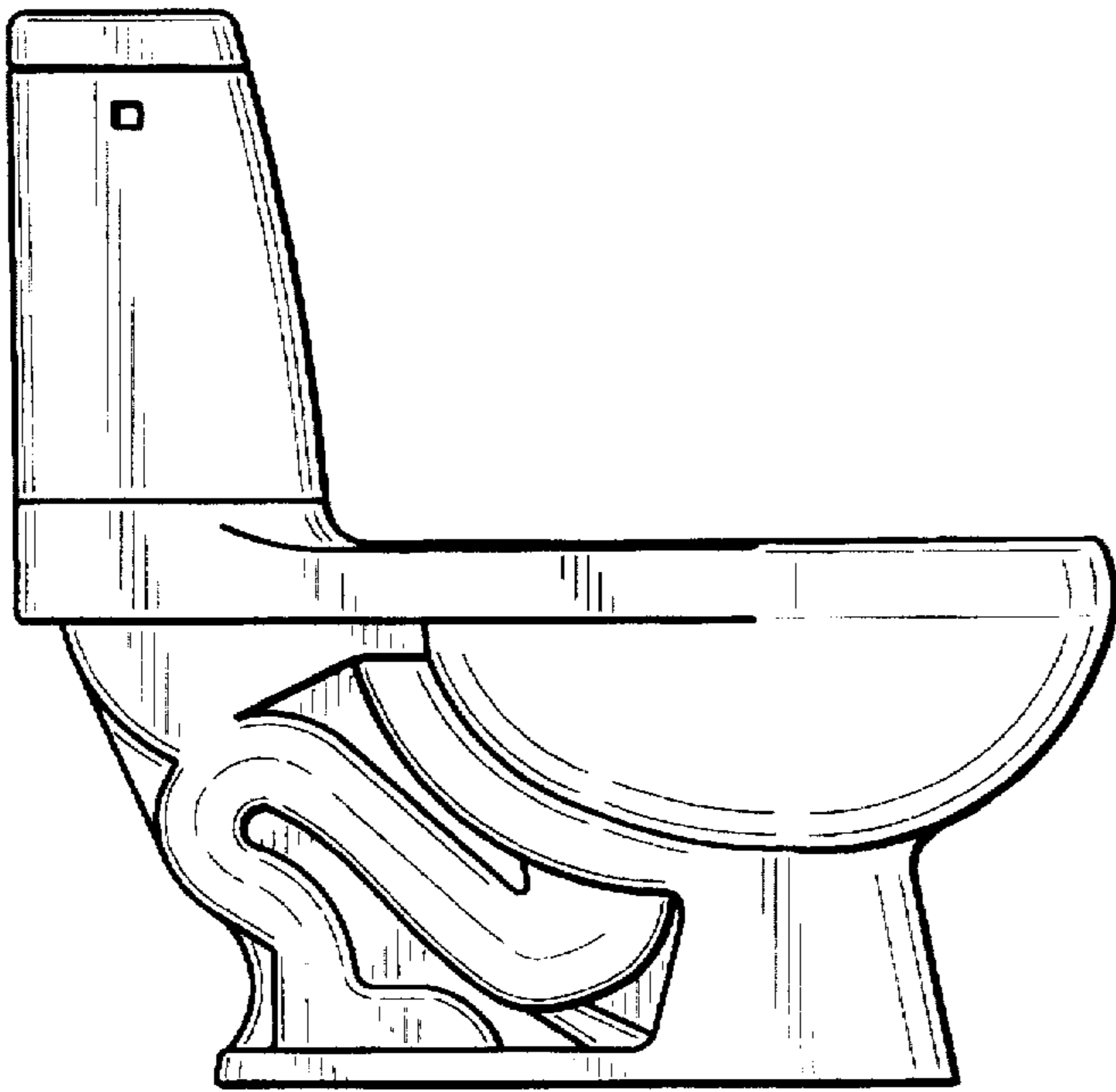


FIG. 4

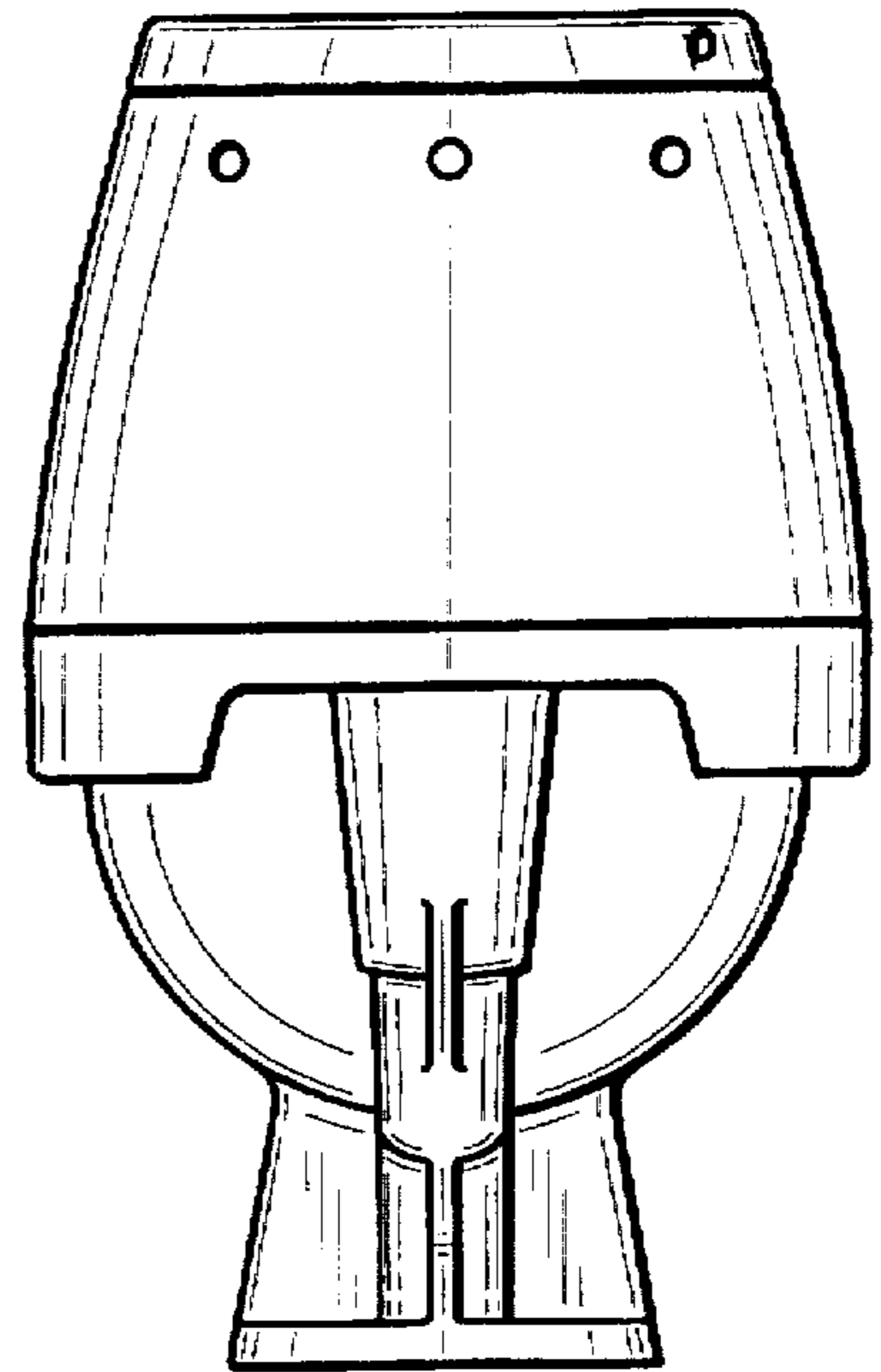


FIG. 6

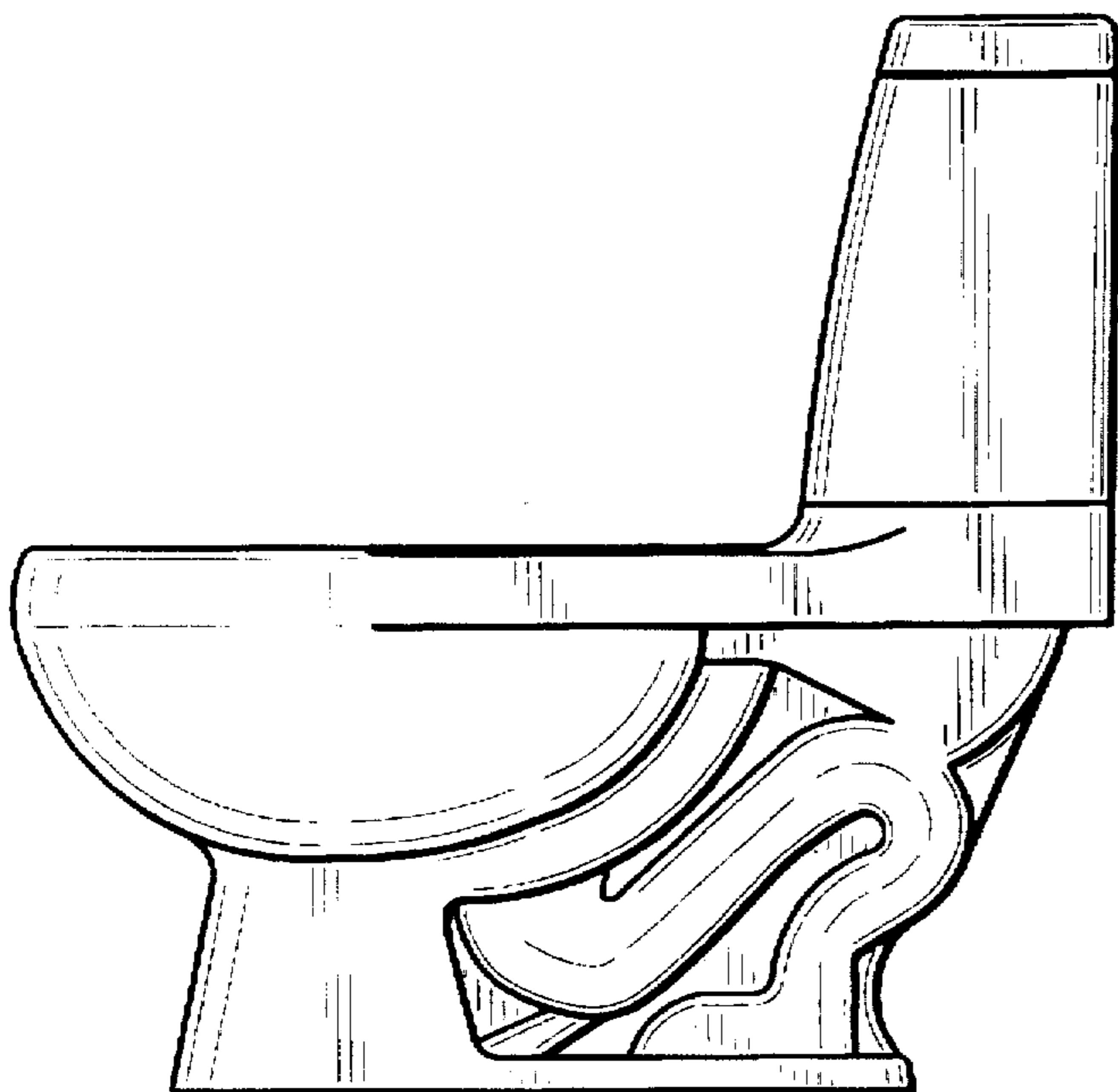


FIG. 5