



US00D393058S

United States Patent [19]
Garza

[11] **Patent Number: Des. 393,058**
[45] **Date of Patent: **Mar. 31, 1998**

[54] **TOILET**

D. 379,217 5/1997 Kerfevet D23/295
D. 379,496 5/1997 Kowamurd et al. D23/301

[76] **Inventor: Marcelo Garza Laguera Garza,**
Acambaro No. 459, Col. CD: Industrial,
36541 Irapuato, Guanajuato, Mexico

Primary Examiner—Louis B. Zarfes
Assistant Examiner—Eric Watterson
Attorney, Agent, or Firm—Pravel, Hewitt, Kimball &
Krieger

[**] **Term: 14 Years**

[21] **Appl. No.: 70,026**

[57] **CLAIM**

[22] **Filed: Apr. 25, 1997**

The ornamental design for a toilet, as shown.

[30] **Foreign Application Priority Data**

DESCRIPTION

Oct. 25, 1996 [MX] Mexico 961070

FIG. 1 is an isometric view showing the ornamental design for a toilet according to the present invention;

[51] **LOC (6) Cl. 23-02**

FIG. 2 is a front elevation view of the toilet of FIG. 1;

[52] **U.S. Cl. D23/295**

FIG. 3 is a top plan view of the toilet of FIG. 1;

[58] **Field of Search** D23/295, 298,
D23/299, 300, 301; 4/353, 421, 424, 428,
480, 664, DIG. 2, 300

FIG. 4 is a left side elevation view of the toilet of FIG. 1;
FIG. 5 is a right side elevation view of the toilet of FIG. 1;
and,

[56] **References Cited**

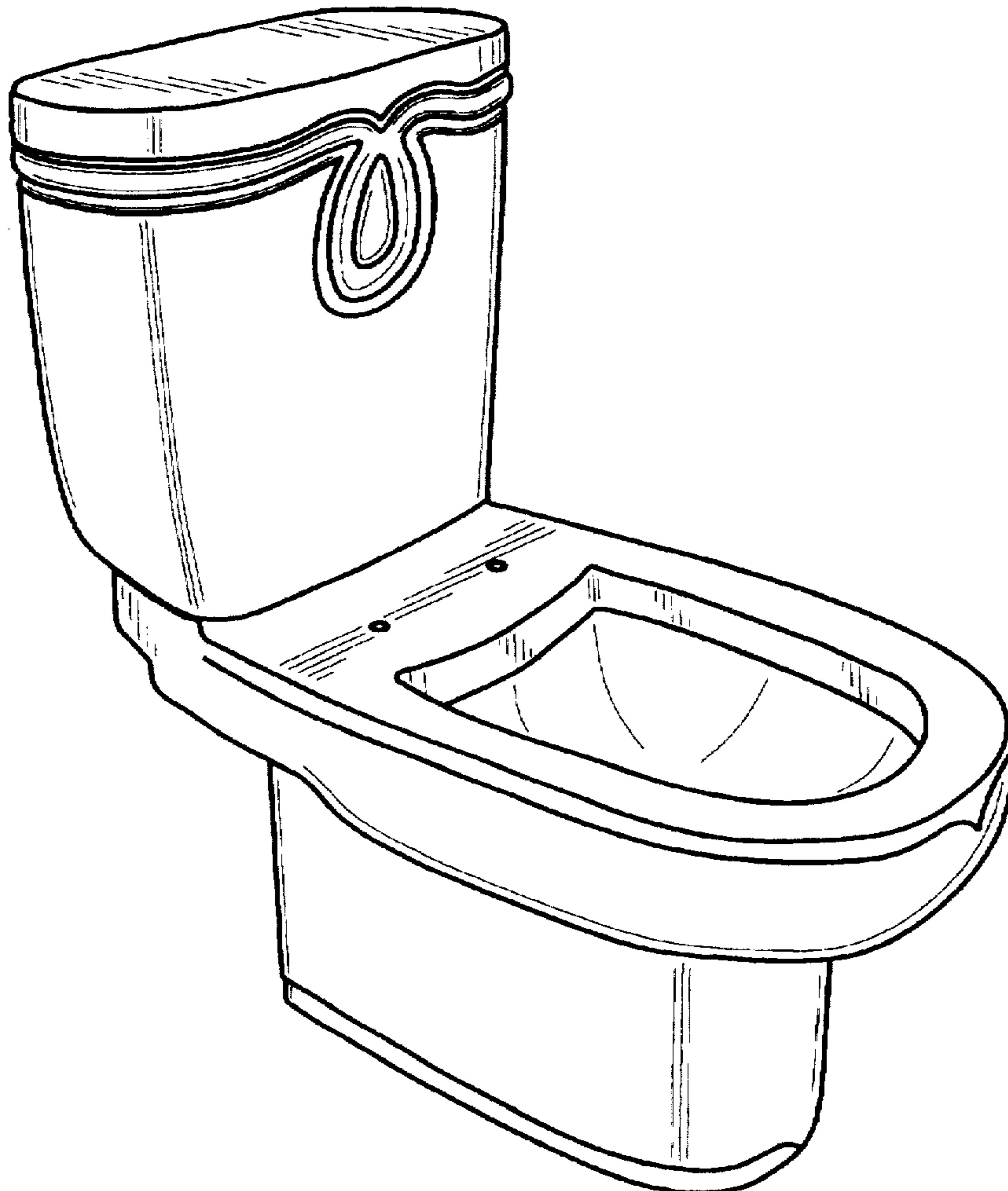
FIG. 6 is a rear elevation view of the toilet of FIG. 1 is plain and unornamented.

U.S. PATENT DOCUMENTS

The bottom view of the toilet of FIG. 1 is plain and unornamented.

D. 296,814 7/1988 Holscher D23/301
D. 346,854 5/1994 Red D23/301

1 Claim, 2 Drawing Sheets



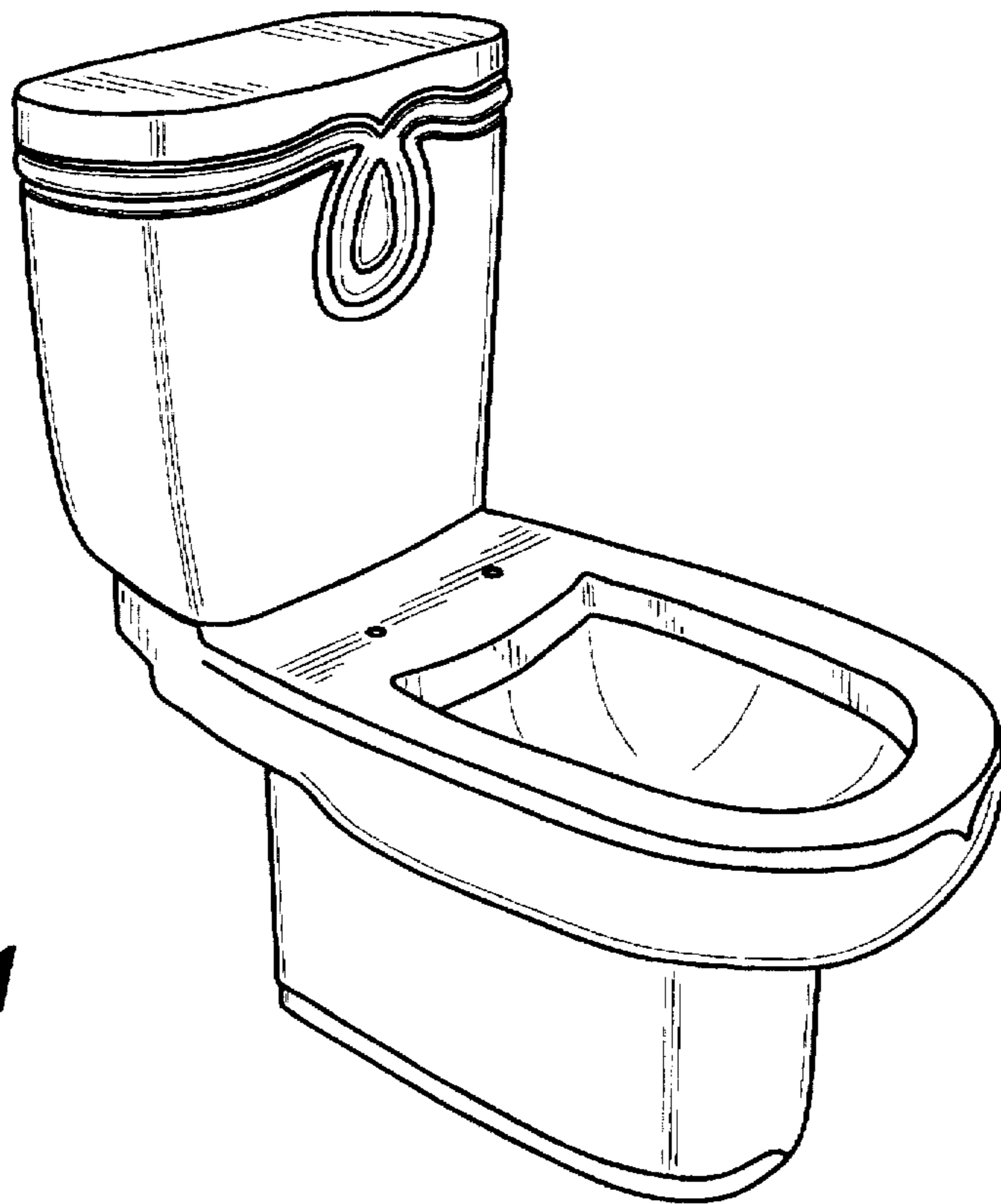


FIG. 1

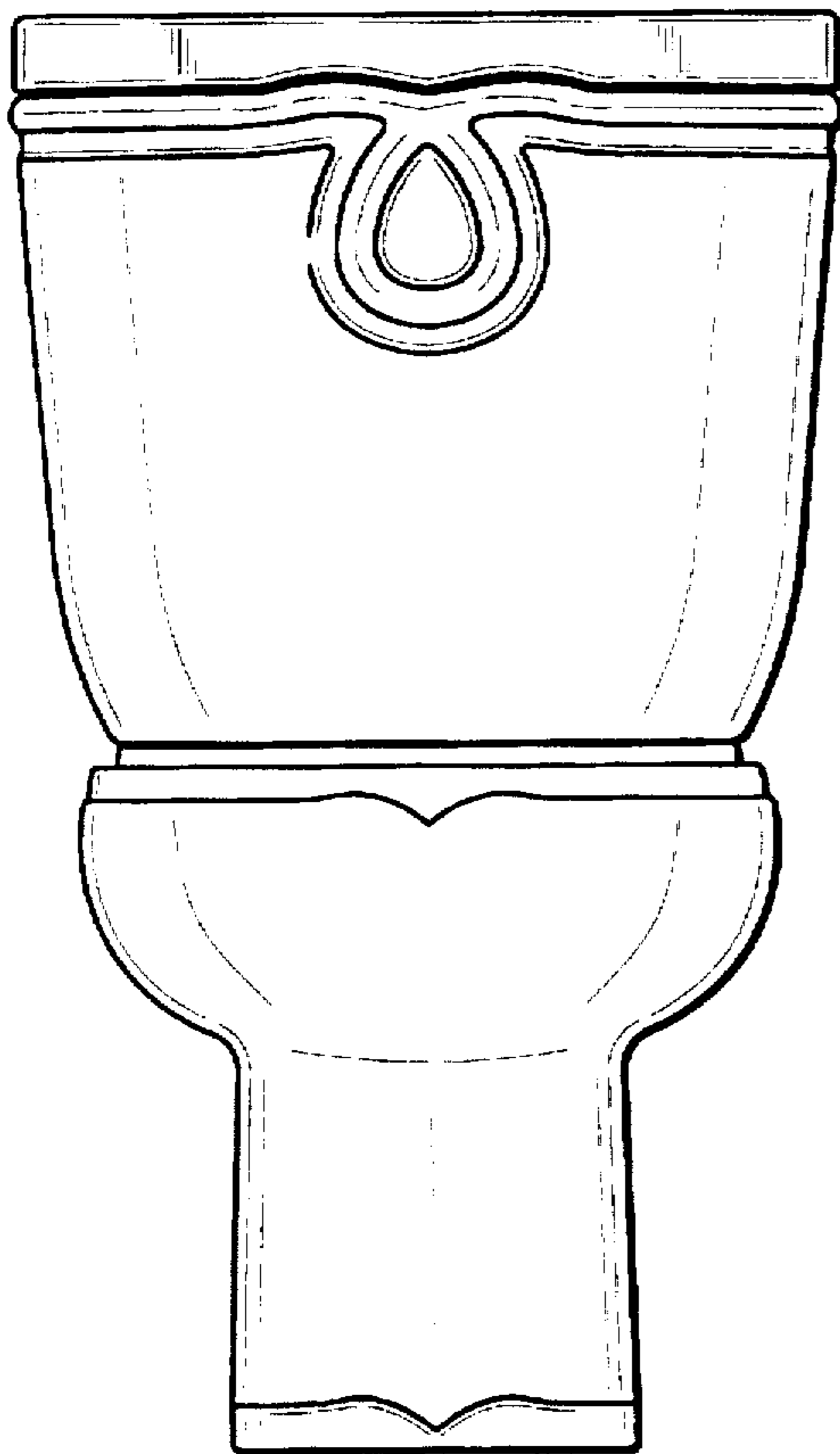


FIG. 2

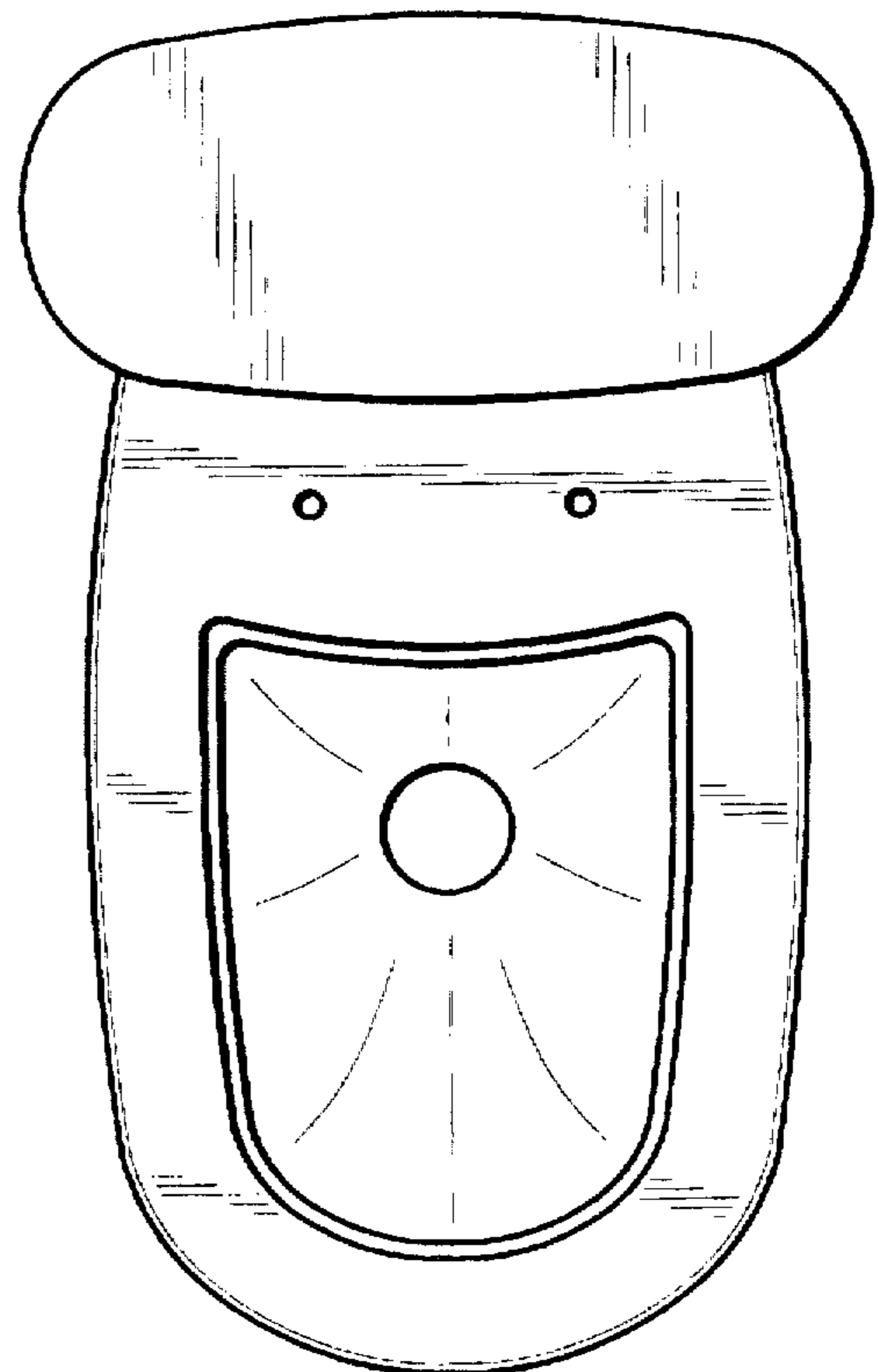


FIG. 3

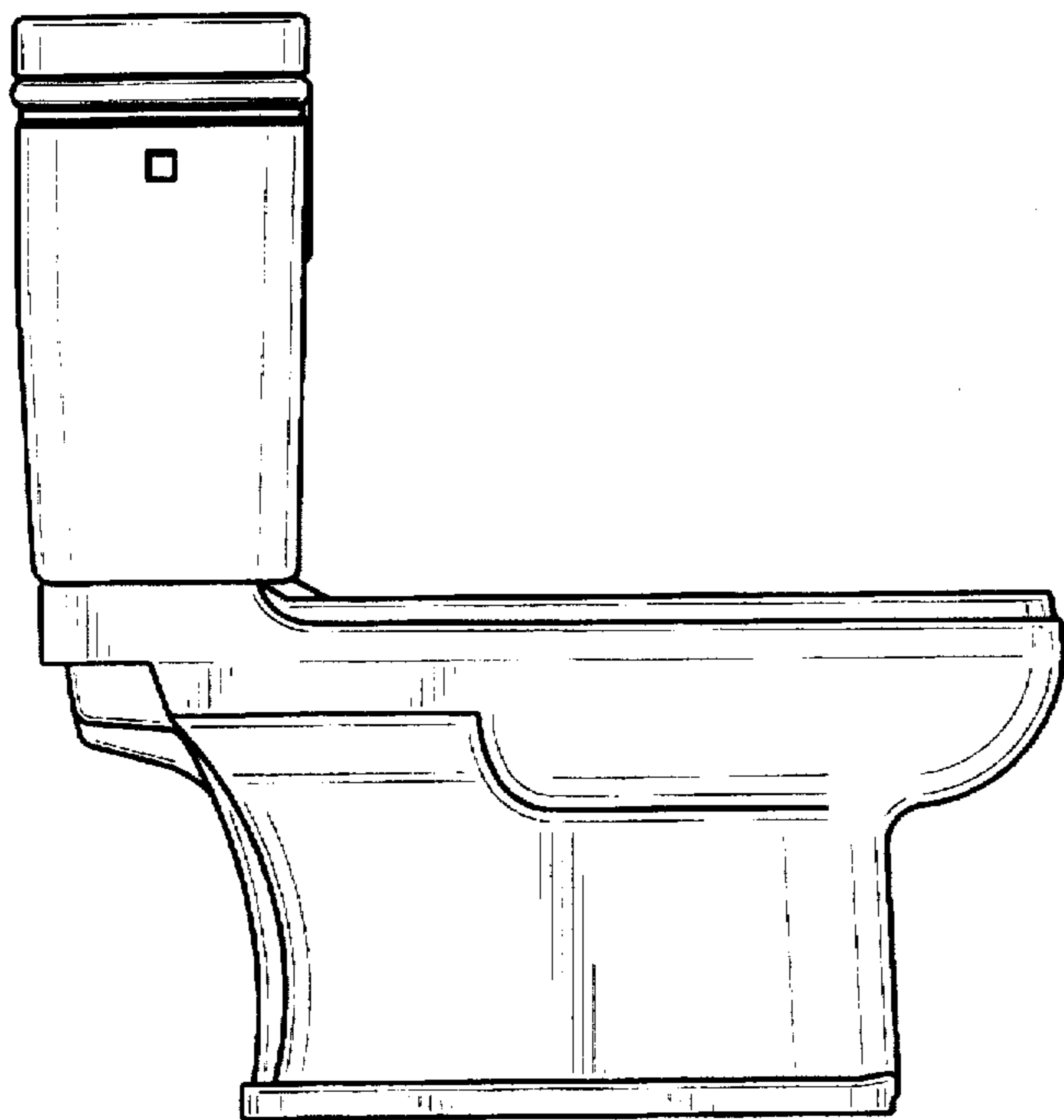


FIG. 4

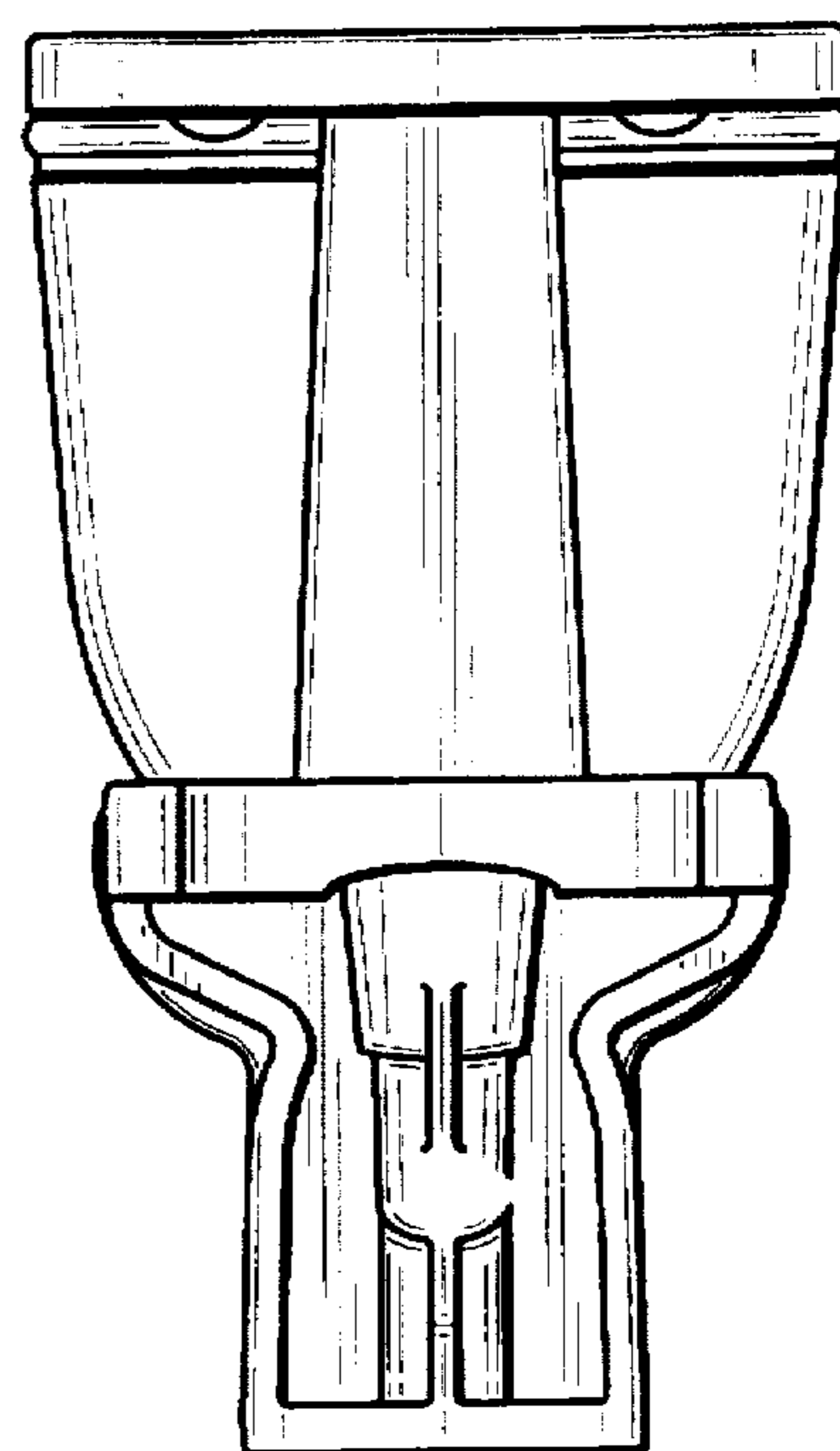


FIG. 6

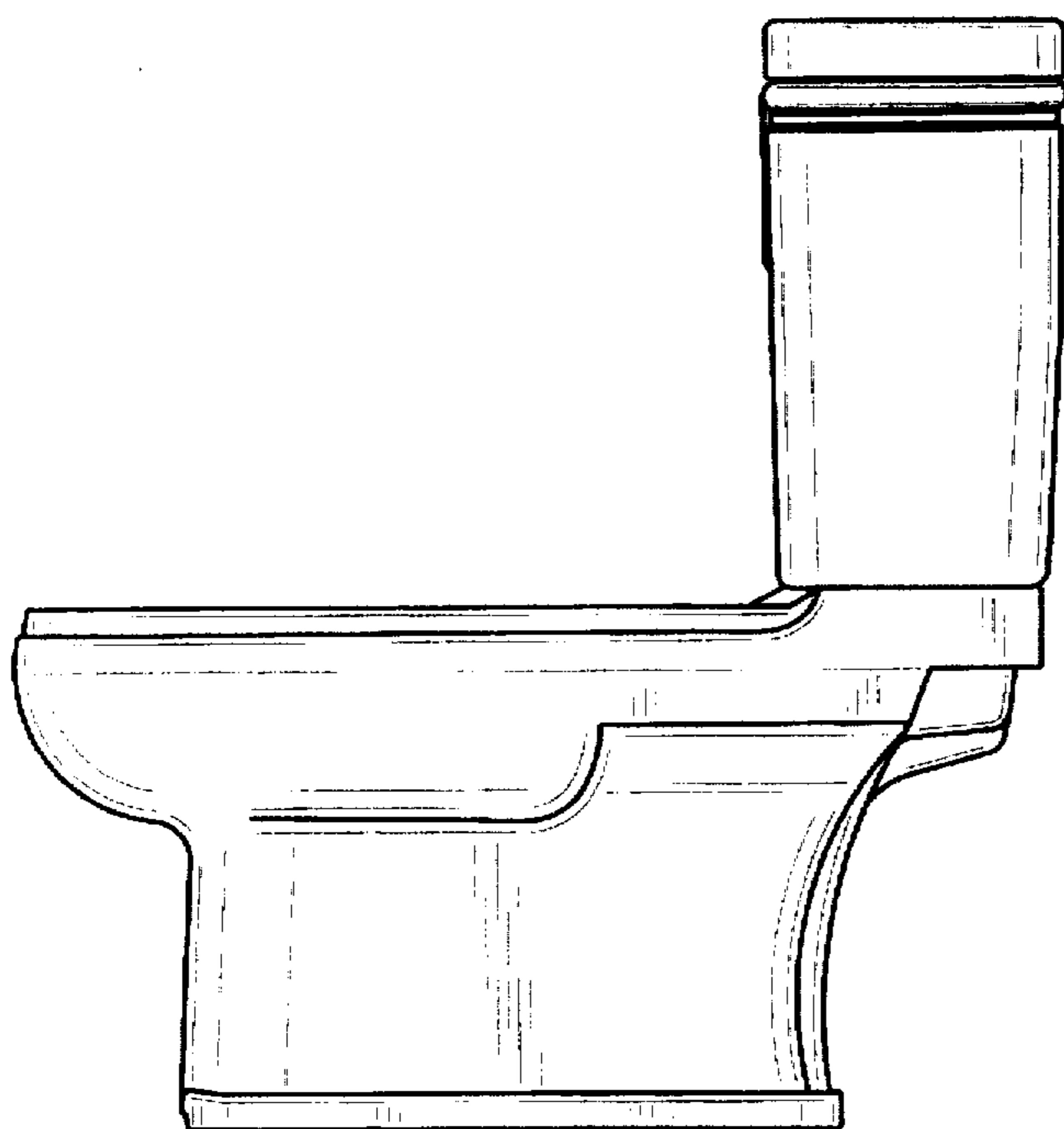


FIG. 5