



US00D393053S

# United States Patent [19]

Doughty et al.

[11] Patent Number: **Des. 393,053**

[45] Date of Patent: **\*\*Mar. 31, 1998**

[54] **FAUCET BODY AND SPOUT**

5,279,329 1/1994 Pippel .  
5,634,220 6/1997 Chiu .

[75] Inventors: **Frederic C. Doughty**, South Pasadena;  
**Darren M. Mark**, Valencia; **Alvin Tolosa**, Ventura City, all of Calif.

*Primary Examiner*—Louis S. Zarfaz  
*Assistant Examiner*—Eric Watterson  
*Attorney, Agent, or Firm*—Harold Weinstein

[73] Assignee: **Emhart Inc.**, Newark, Del.

[57] **CLAIM**

[\*\*] Term: **14 Years**

The ornamental design for faucet body and spout, as shown and described.

[21] Appl. No.: **74,626**

### DESCRIPTION

[22] Filed: **Aug. 8, 1997**

[51] **LOC (6) Cl.** ..... **23-01**

[52] **U.S. Cl.** ..... **D23/255**

[58] **Field of Search** ..... **D23/238-243,**  
**D23/250-257; 4/675-678; 137/801**

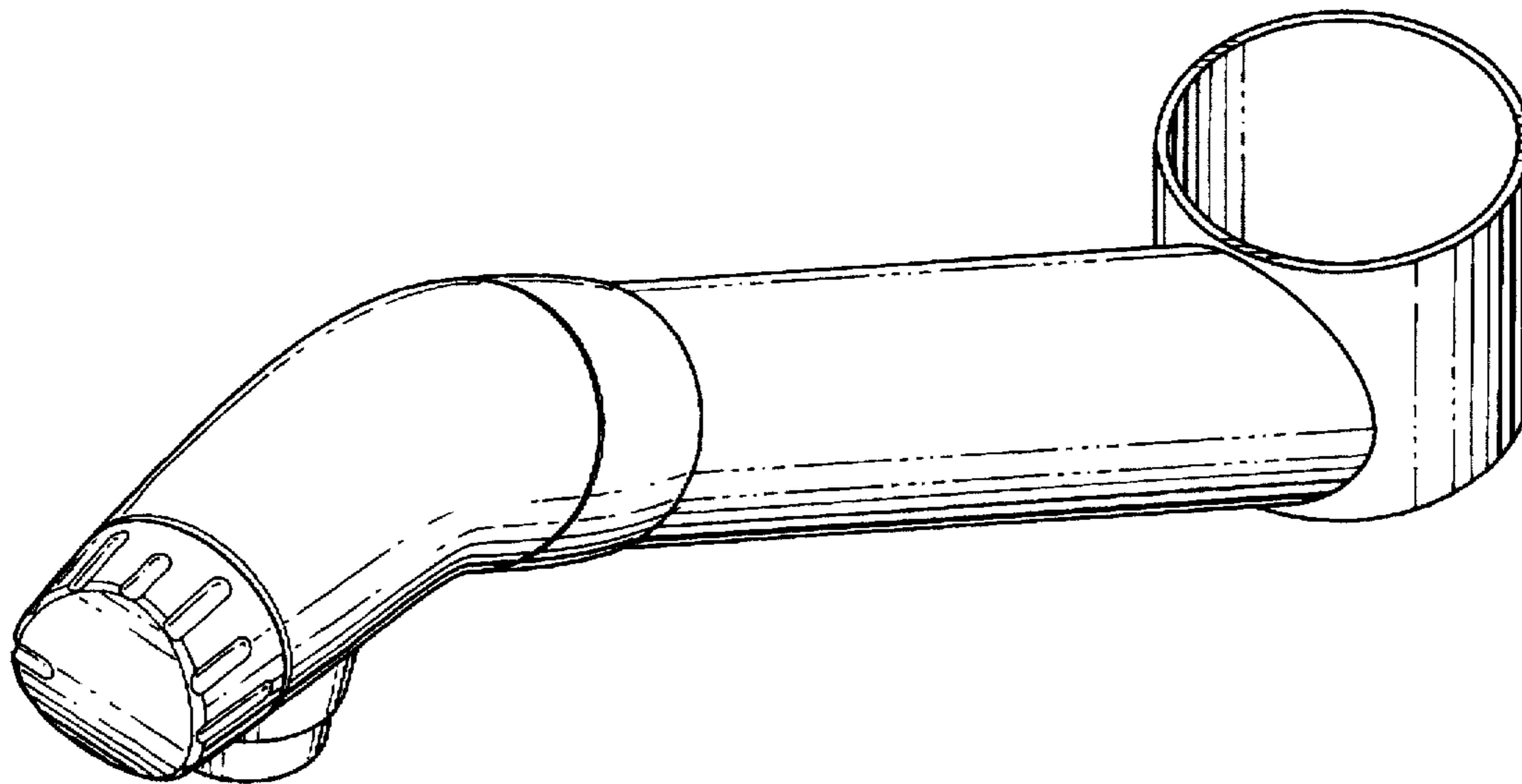
FIG. 1 is a perspective view of our new design of the faucet body and spout;  
FIG. 2 is a front elevational view of our new design of the faucet body and spout;  
FIG. 3 is a rear elevational view of our new design of the faucet body and spout;  
FIG. 4 is a right side elevational view of our new design of the faucet body and spout;  
FIG. 5 is a left side elevational view of our new design of the faucet body and spout;  
FIG. 6 is a top plan view of our new design of the faucet body and spout; and,  
FIG. 7 is a bottom plan view of our new design of the faucet body and spout.

### [56] References Cited

#### U.S. PATENT DOCUMENTS

D. 368,764	4/1996	Hill et al. ....	D23/238
D. 385,338	10/1997	Burchard et al. ....	D23/255
D. 385,619	10/1997	Ku .....	D23/238
4,107,046	8/1978	Corder .	
5,083,589	1/1992	Wilcock .	
5,107,896	4/1992	Otto .	
5,139,050	8/1992	Otto .	

**1 Claim, 5 Drawing Sheets**



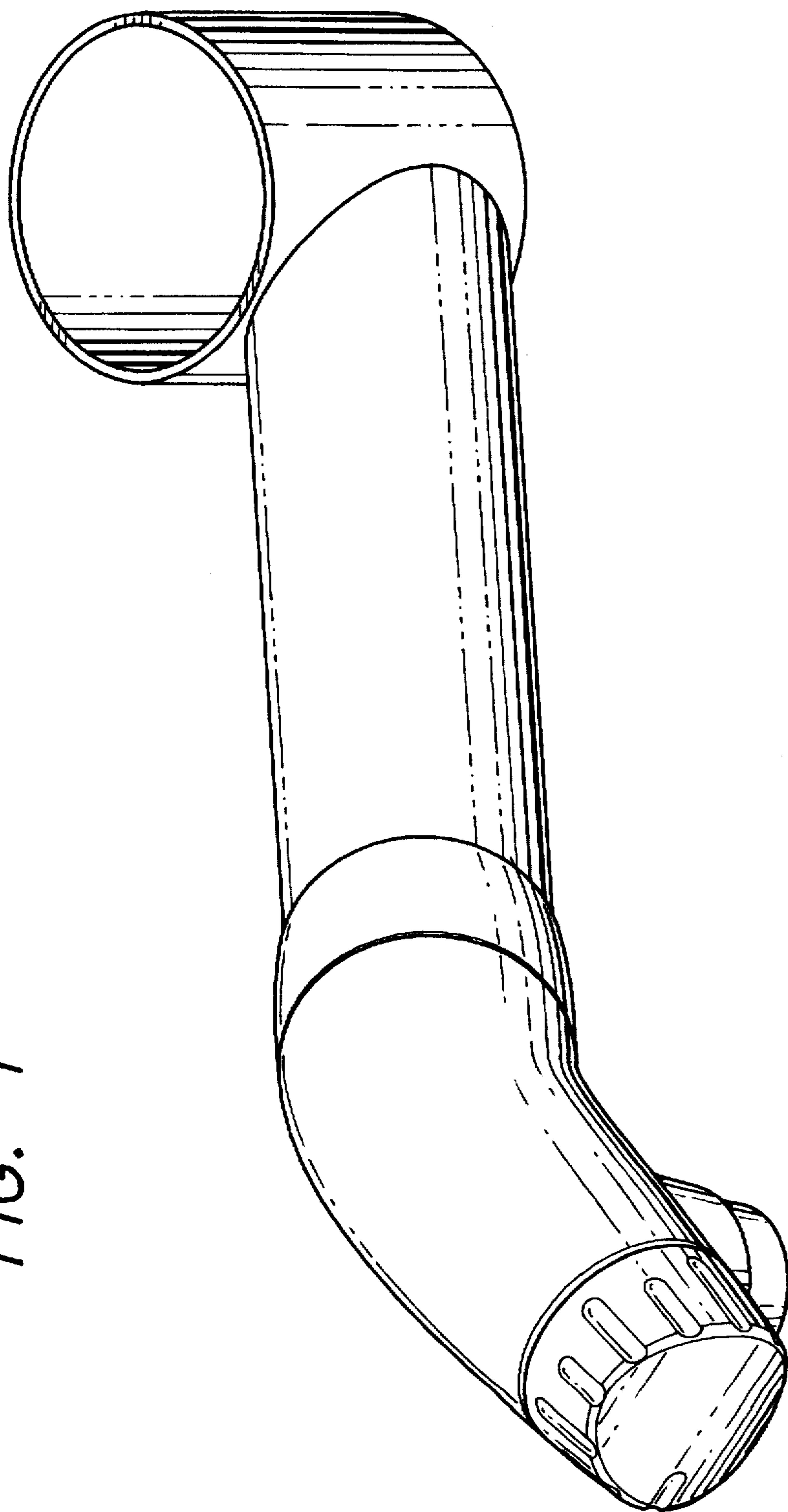


FIG. 1

FIG. 2

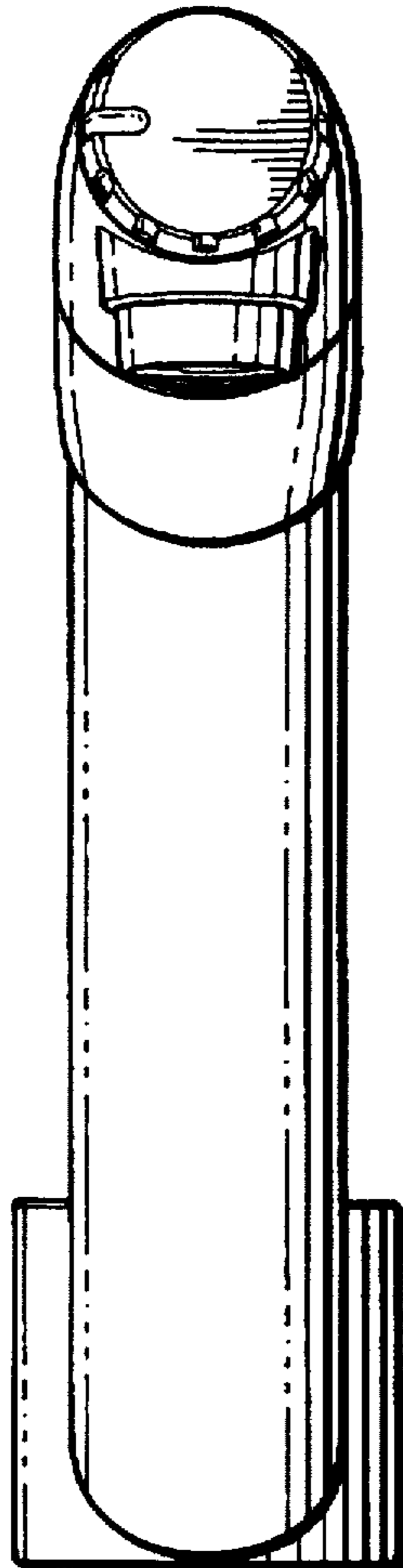
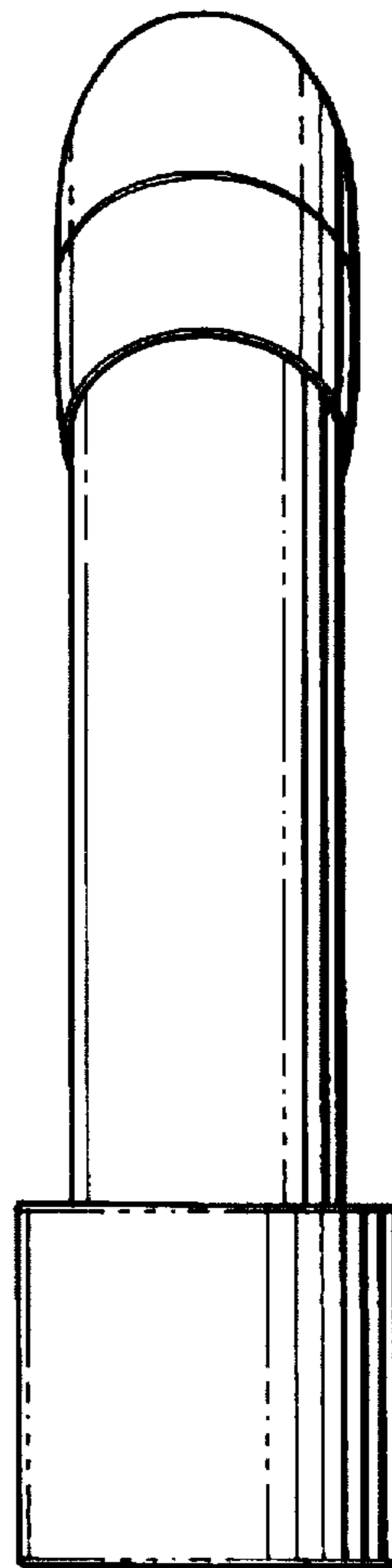


FIG. 3



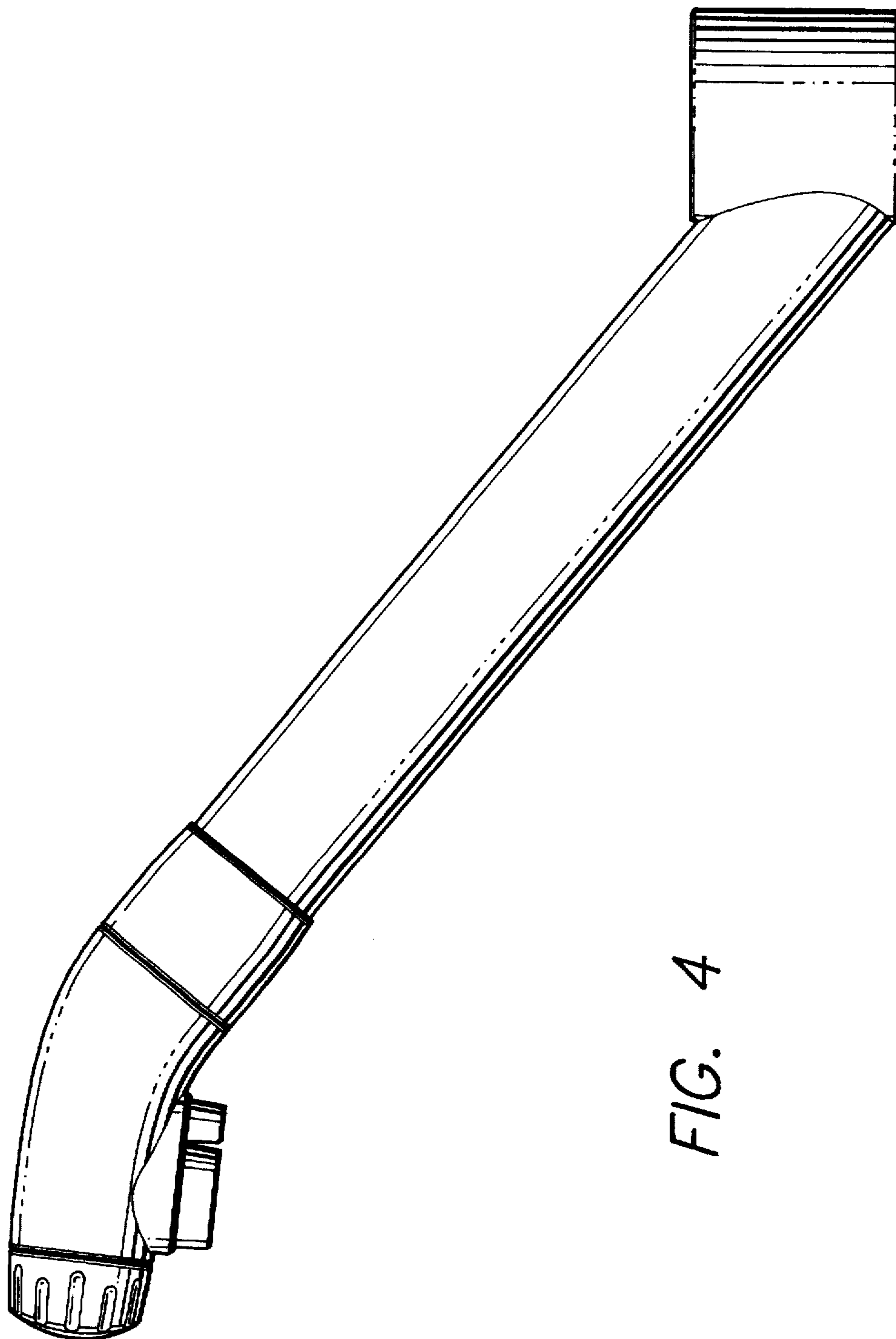


FIG. 4

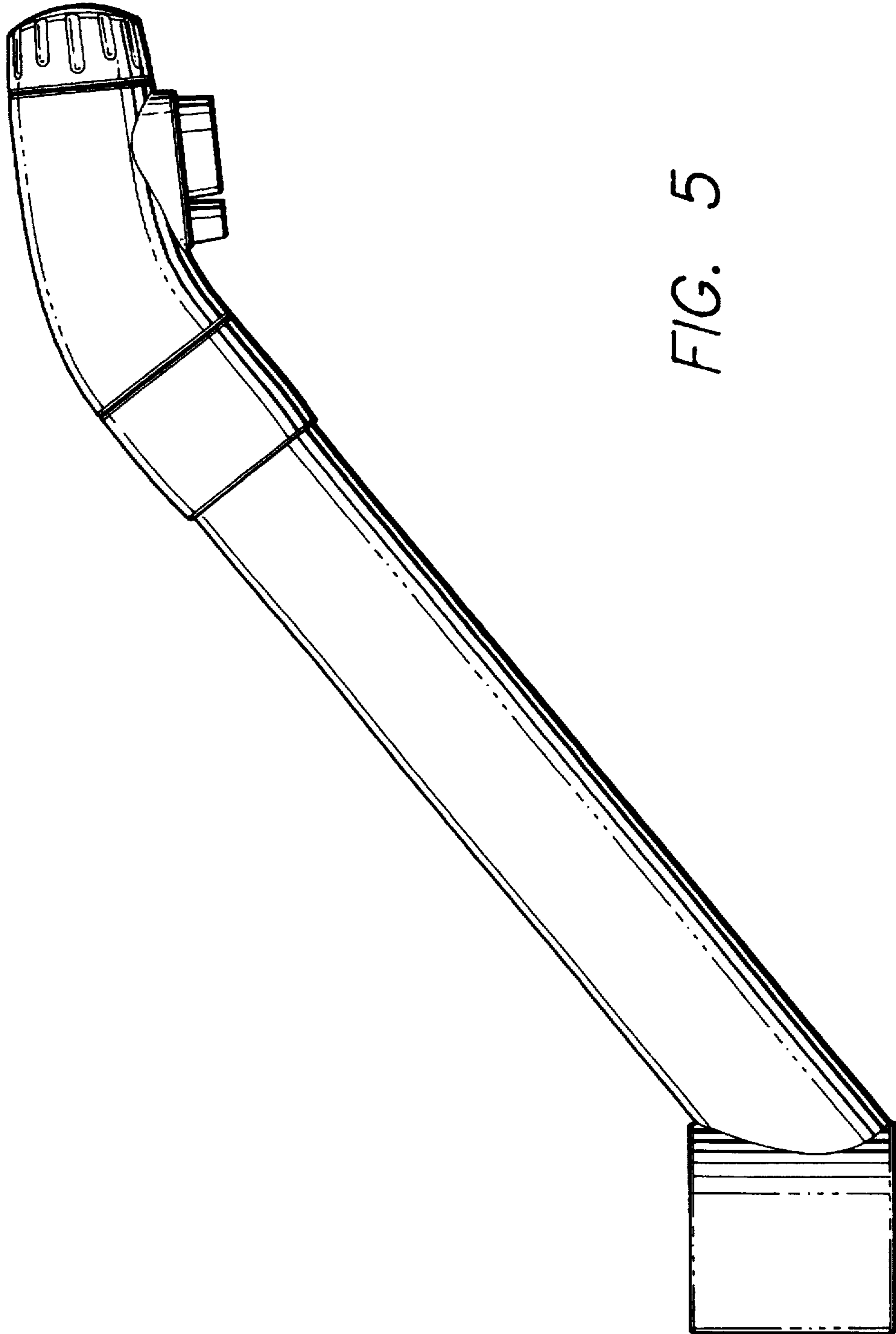


FIG. 5

FIG. 6

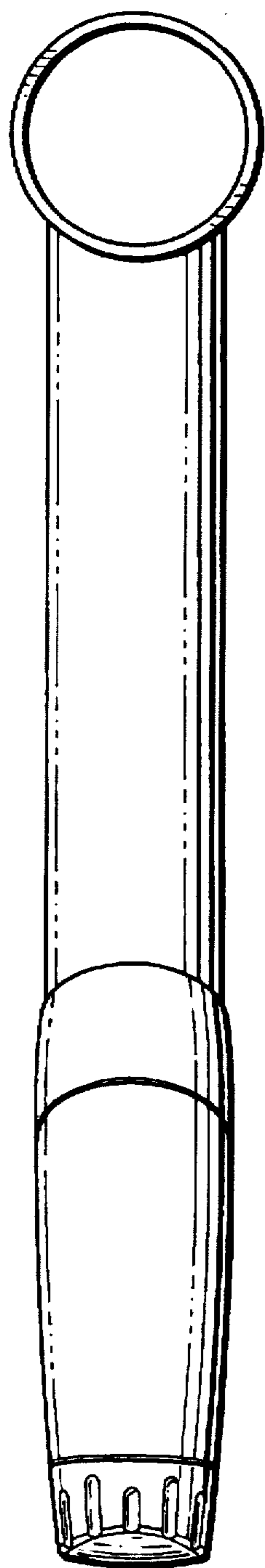


FIG. 7

