



US00D393052S

United States Patent [19]
Lobermeier

[11] **Patent Number: Des. 393,052**
[45] **Date of Patent: **Mar. 31, 1998**

[54] **LEVER-TYPE FAUCET HANDLE**

[75] **Inventor: Hans Lobermeier, Menden, Germany**

[73] **Assignee: Friedrich Grohe AG, Hemer, Germany**

[**] **Term: 14 Years**

[21] **Appl. No.: 70,335**

[22] **Filed: May 6, 1997**

[30] **Foreign Application Priority Data**

Nov. 19, 1996 [DE] Germany M 96 09 980.1

[51] **LOC (6) Cl. 23-01**

[52] **U.S. Cl. D23/250**

[58] **Field of Search D23/238-243,
D23/250-257; 4/674-678; 137/801**

[56] **References Cited**

U.S. PATENT DOCUMENTS

D. 254,088 1/1980 Haug D23/252

D. 291,238 8/1987 Haug et al. D23/252
D. 331,450 12/1992 Haug et al. D23/252
D. 357,060 4/1995 Haug et al. D23/252

Primary Examiner—Louis S. Zarfes
Assistant Examiner—Eric Watterson
Attorney, Agent, or Firm—Herbert Dubno

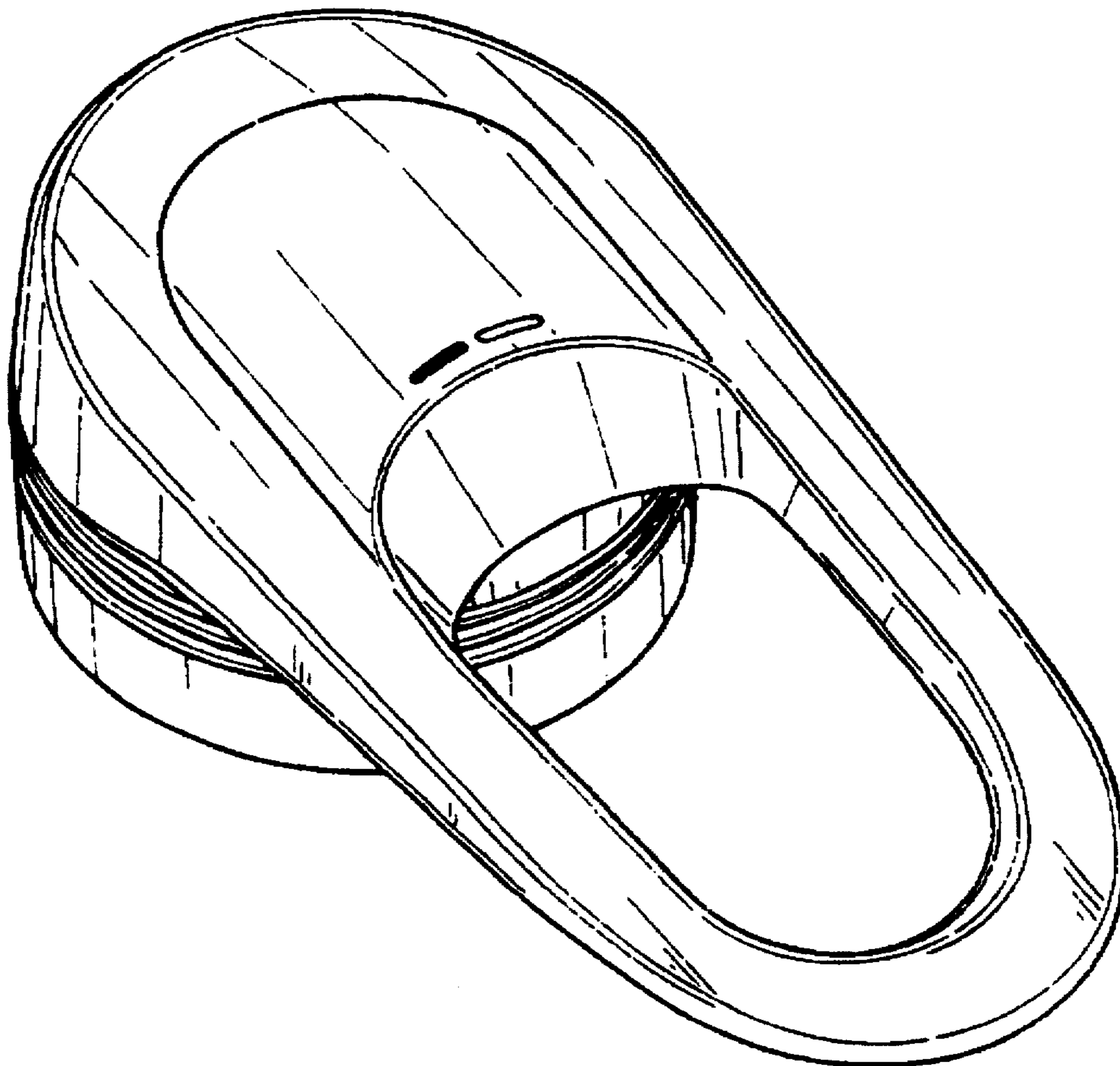
[57] **CLAIM**

The ornamental design for a lever-type faucet handle, as shown and described.

DESCRIPTION

FIG. 1 is a top, front, left-side perspective view of a lever-type faucet handle showing my new design;
FIG. 2 is a rear view thereof;
FIG. 3 is a front elevational view thereof;
FIG. 5 is a left side elevational view thereof, the right side being mirror symmetrical thereto; and,
FIG. 6 is a bottom view thereof.

1 Claim, 2 Drawing Sheets



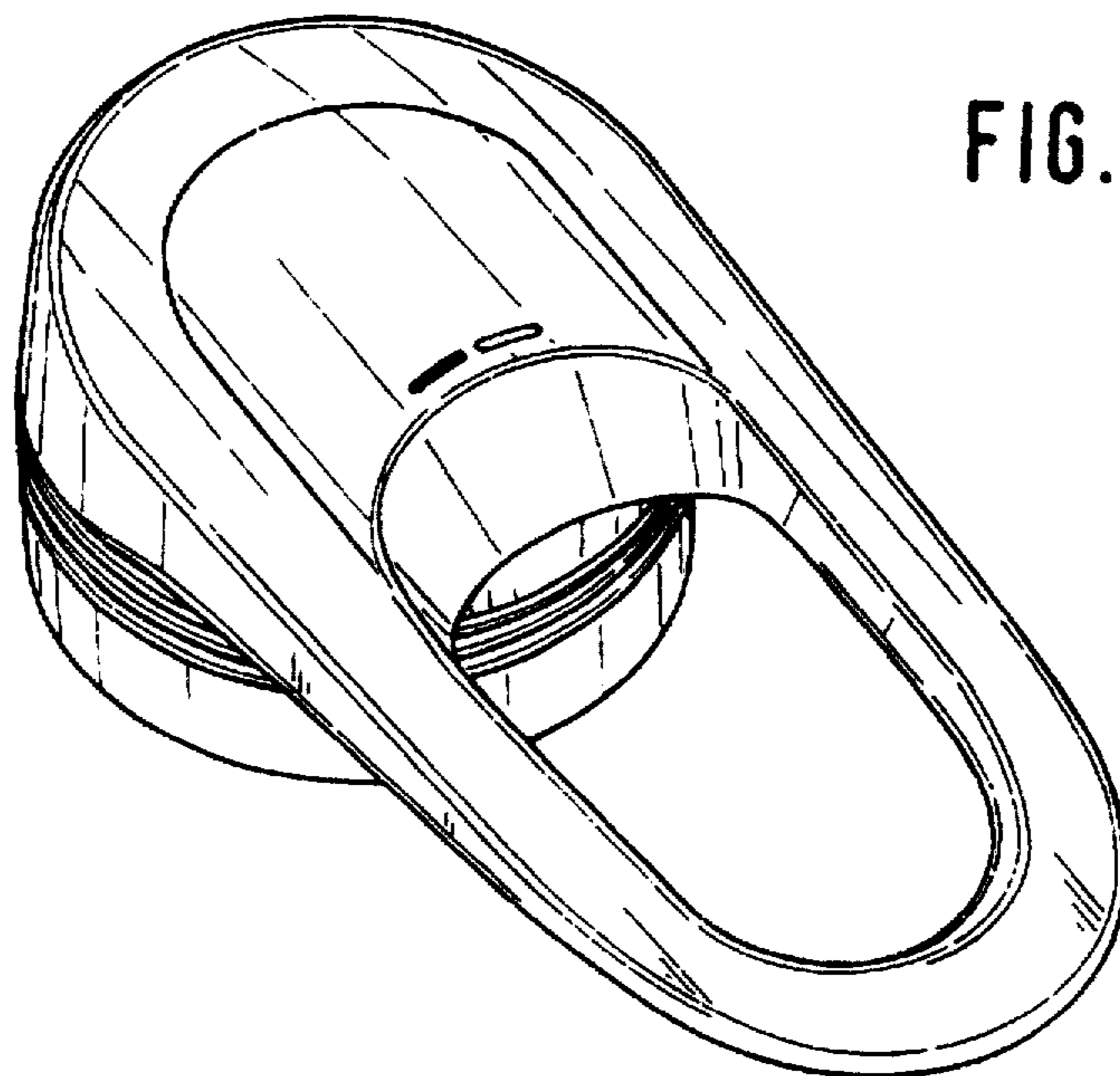


FIG. 1

FIG. 2

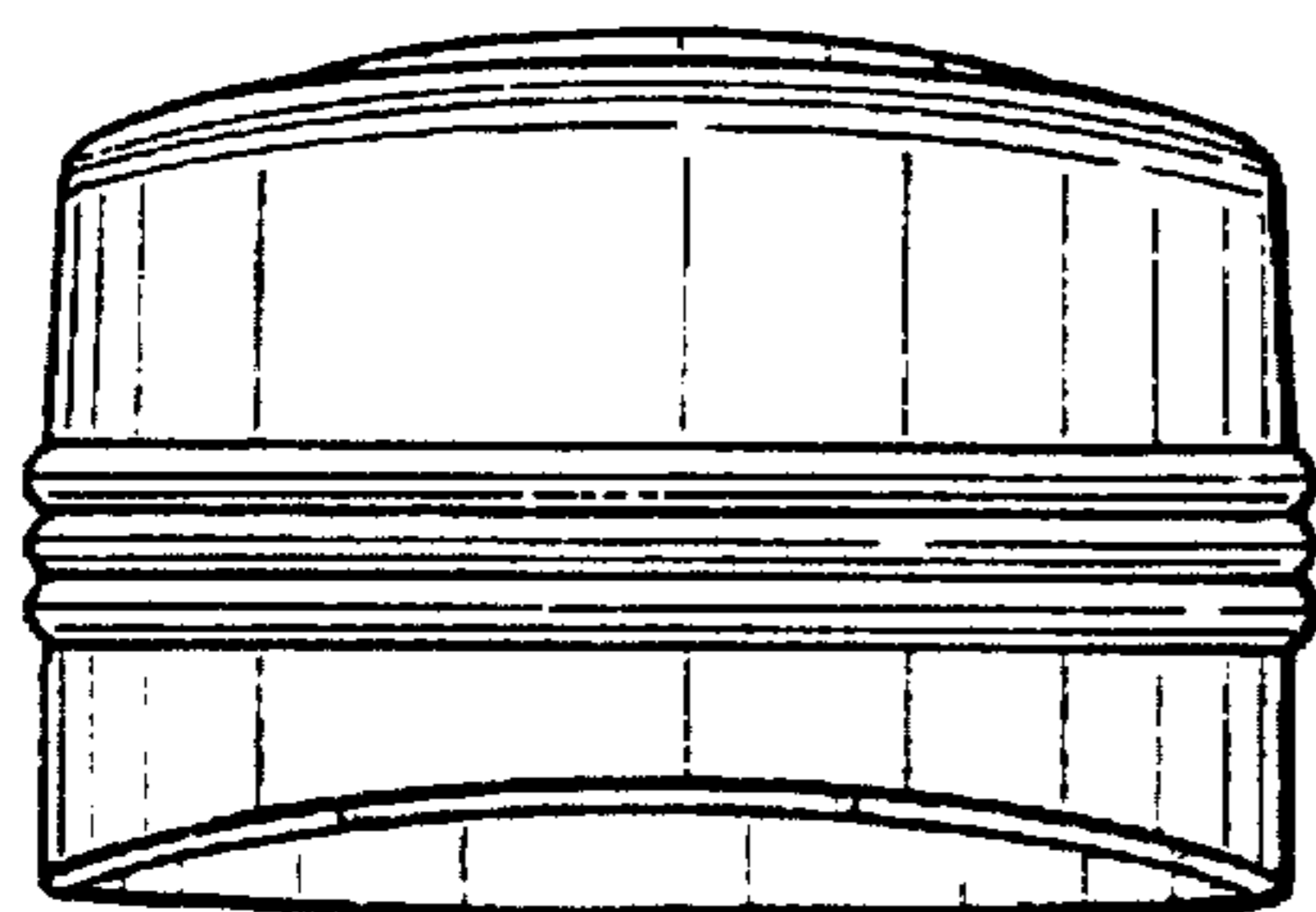
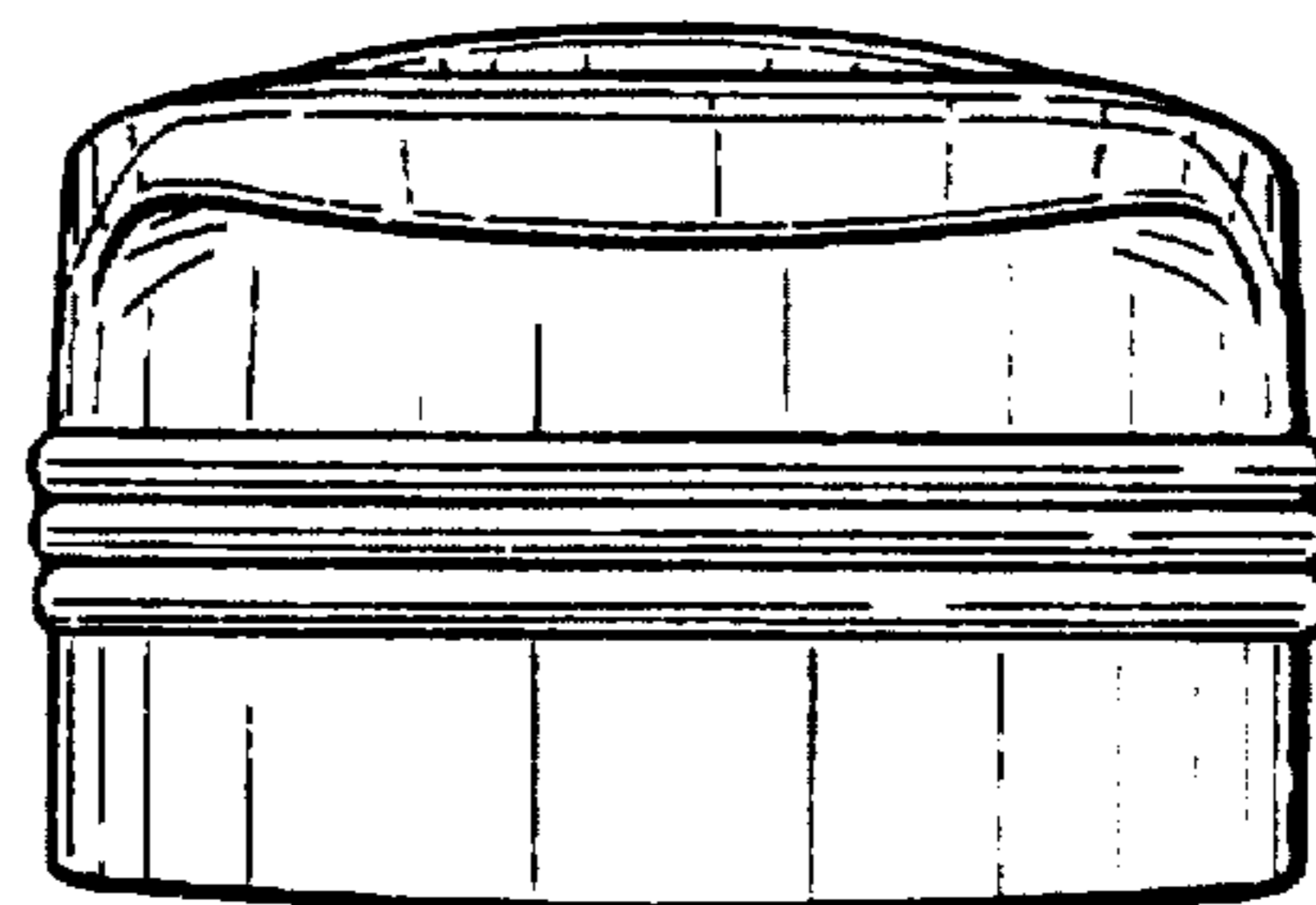


FIG. 3



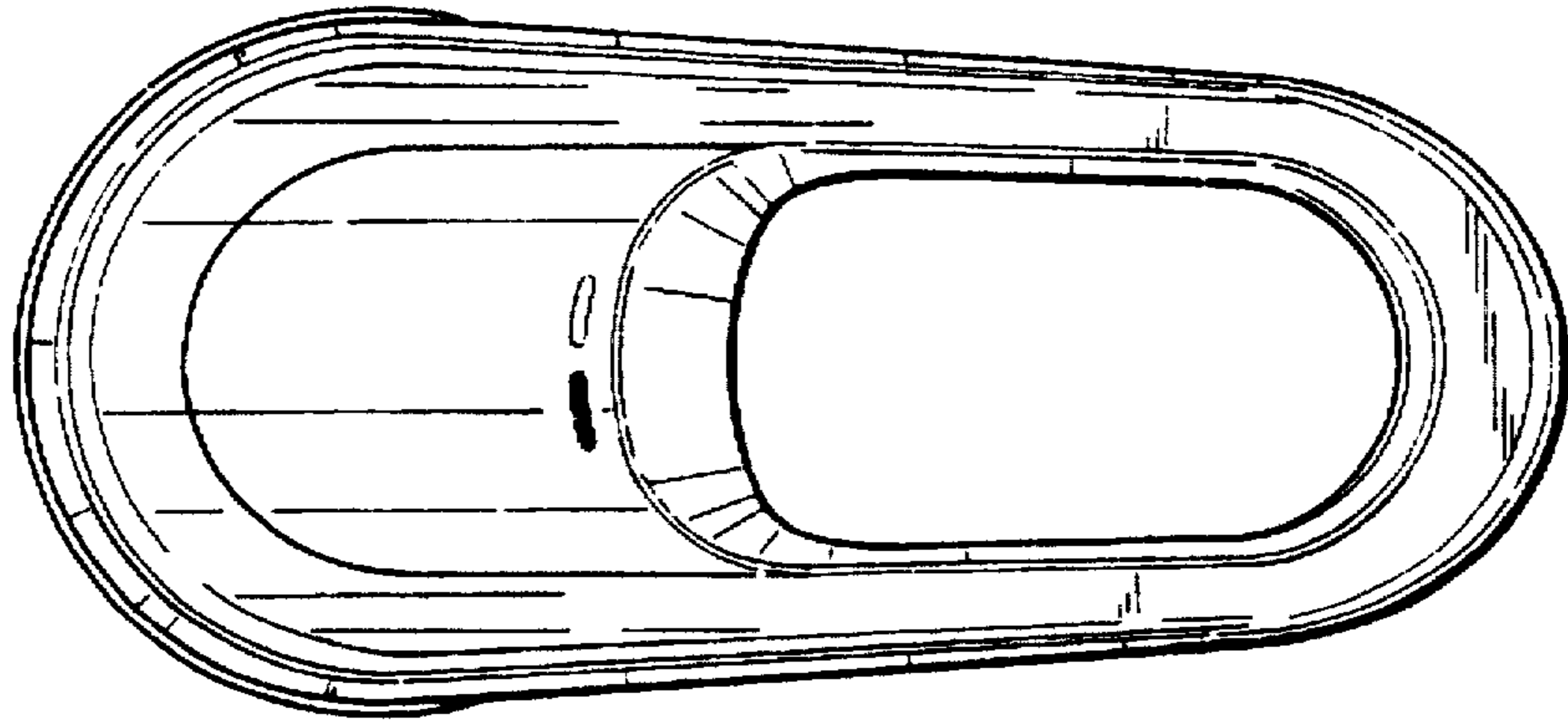


FIG. 4

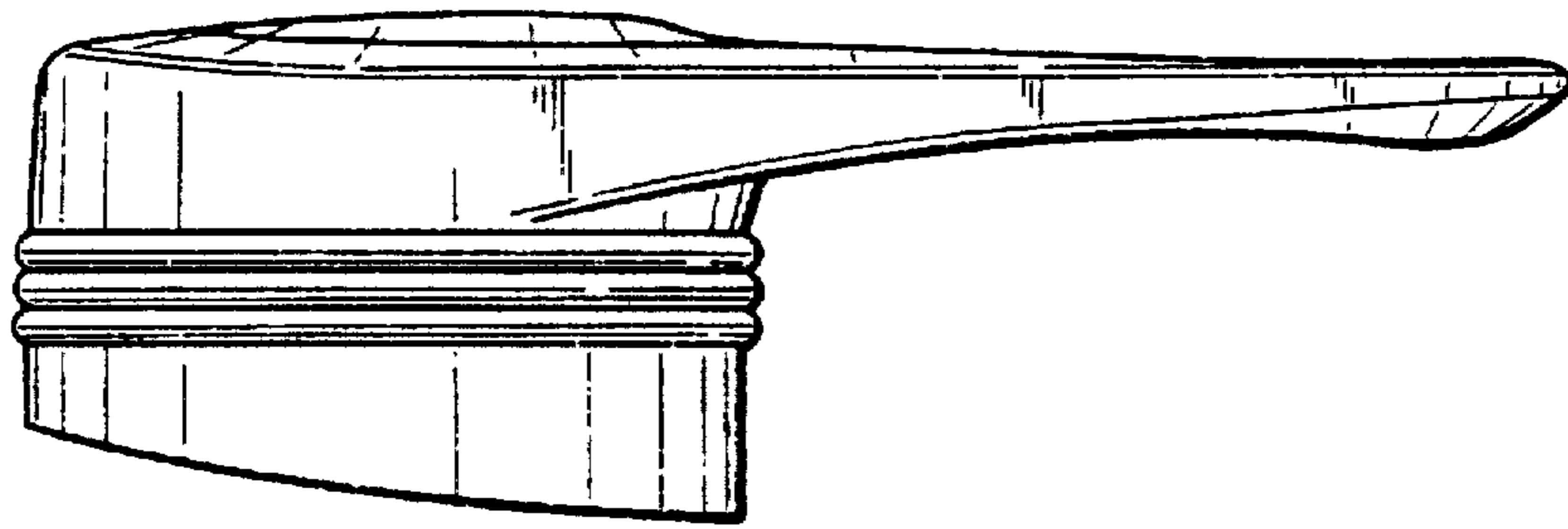


FIG. 5

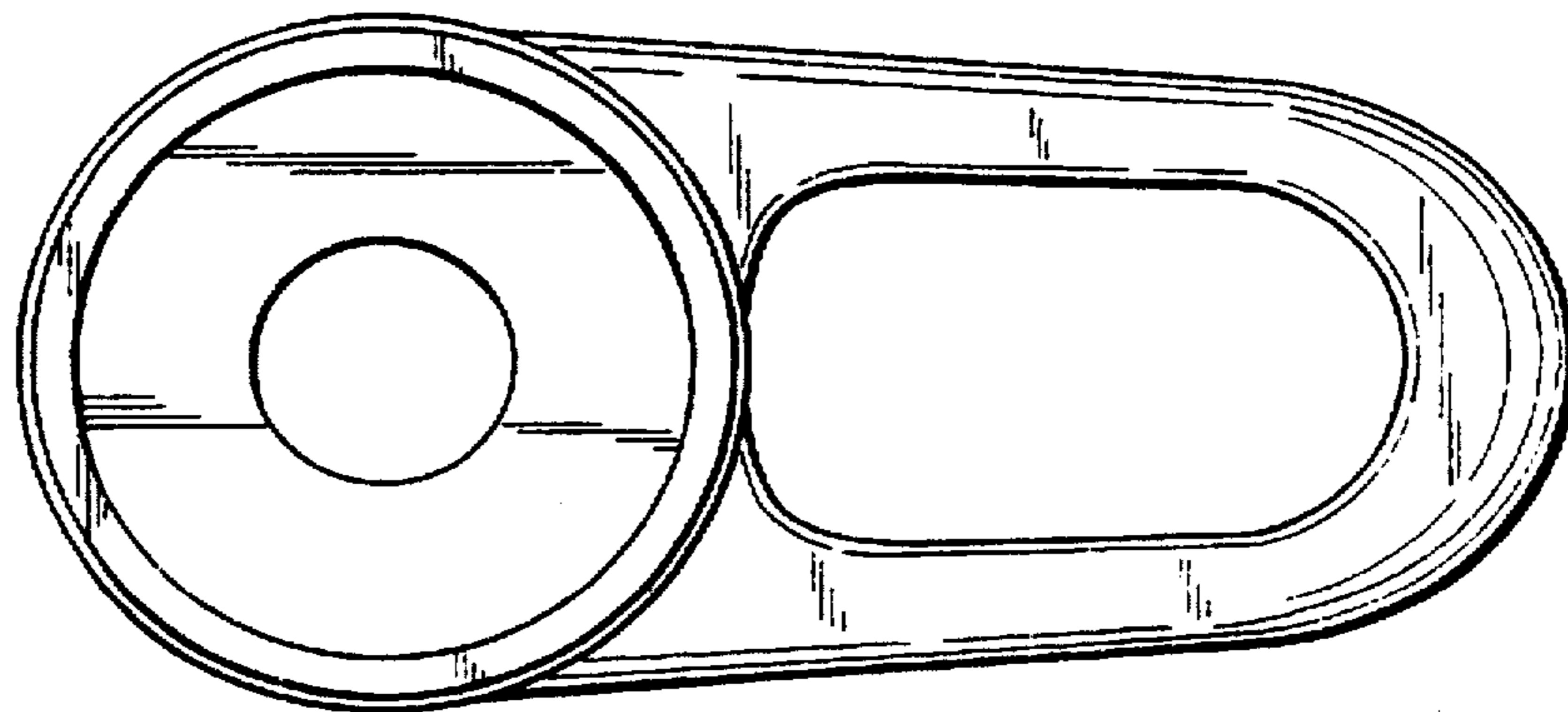


FIG. 6