

US00D393050S

**United States Patent** [19]  
**Ko**

[11] **Patent Number: Des. 393,050**

[45] **Date of Patent: \*\*Mar. 31, 1998**

[54] **FAUCET**

D. 204,441 4/1966 Harvey et al. .... D23/238  
D. 258,518 3/1981 Theverert ..... D23/238

[75] **Inventor: Hsi-chia Ko, Changhua Hsien, Taiwan**

*Primary Examiner*—Louis S. Zarfes  
*Assistant Examiner*—Eric Watterson  
*Attorney, Agent, or Firm*—Browdy and Neimark

[73] **Assignee: Chung Cheng Faucet Co., Ltd.,  
Changhua Hsien, Taiwan**

[\*\*] **Term: 14 Years**

[57] **CLAIM**

The ornamental design for faucet, as shown and described.

[21] **Appl. No.: 69,767**

**DESCRIPTION**

[22] **Filed: Apr. 23, 1997**

[51] **LOC (6) Cl. .... 23-01**

FIG. 1 is a perspective view of faucet showing my new design;

[52] **U.S. Cl. .... D23/238**

FIG. 2 is a front view thereof;

[58] **Field of Search .... D23/238-243,  
D23/250-257; 137/801; 4/675-678**

FIG. 3 is a rear view thereof;

FIG. 4 is a left side view thereof, the right side view is identical;

[56] **References Cited**

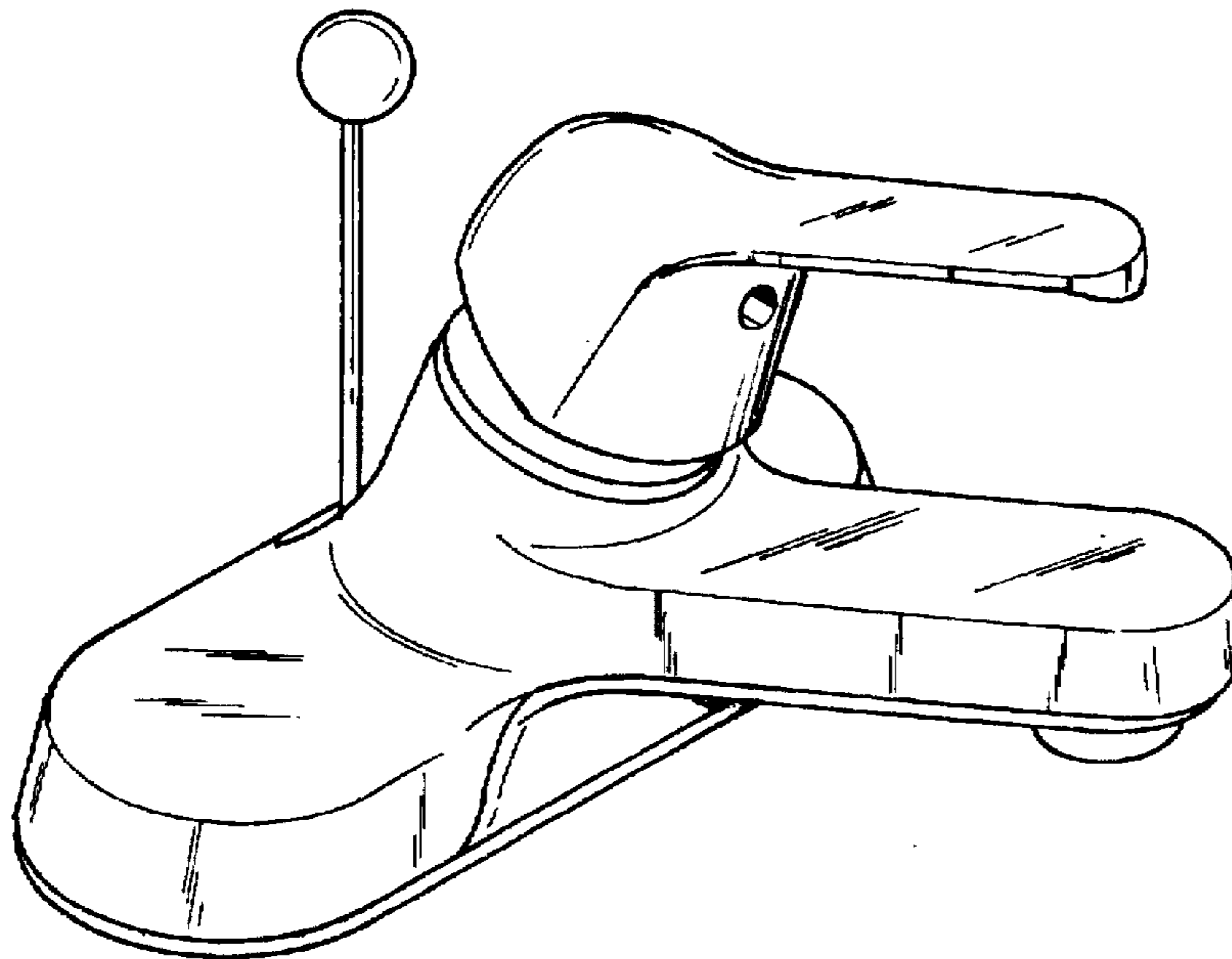
FIG. 5 is top view thereof; and,

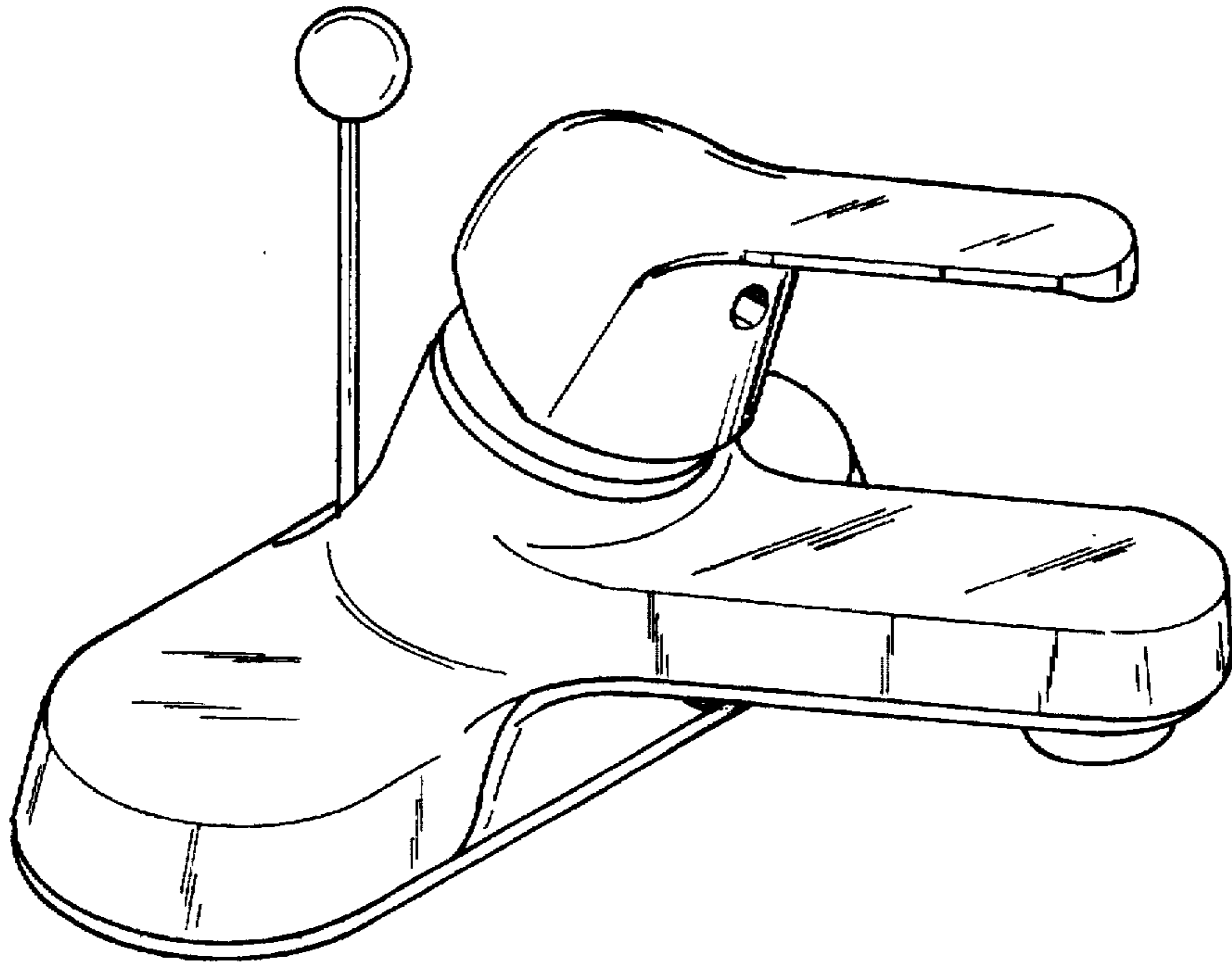
FIG. 6 is a bottom view thereof.

**U.S. PATENT DOCUMENTS**

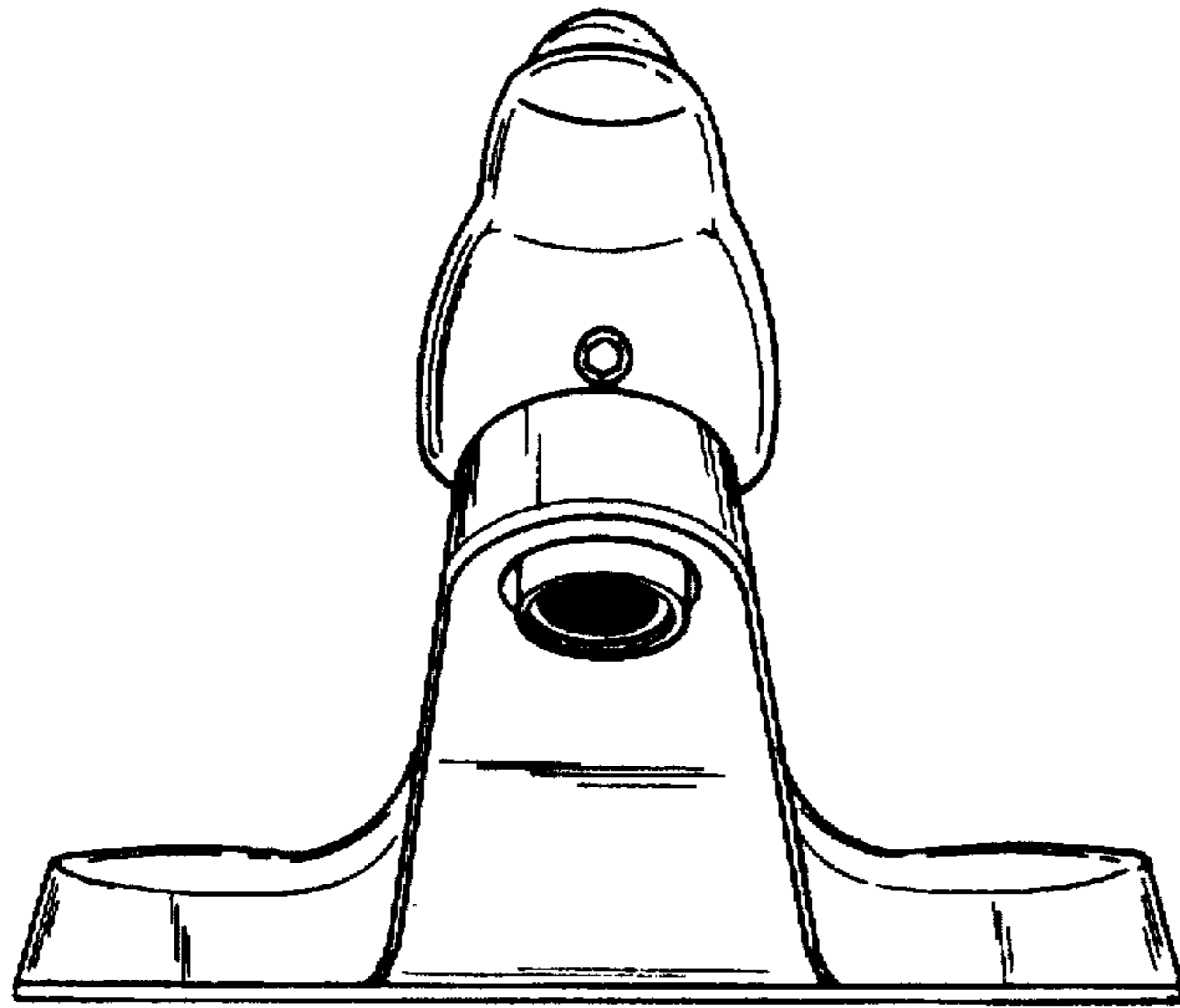
D. 200,390 2/1965 Shoot et al. .... D23/238  
D. 200,754 3/1965 Laudell ..... D23/238

**1 Claim, 3 Drawing Sheets**

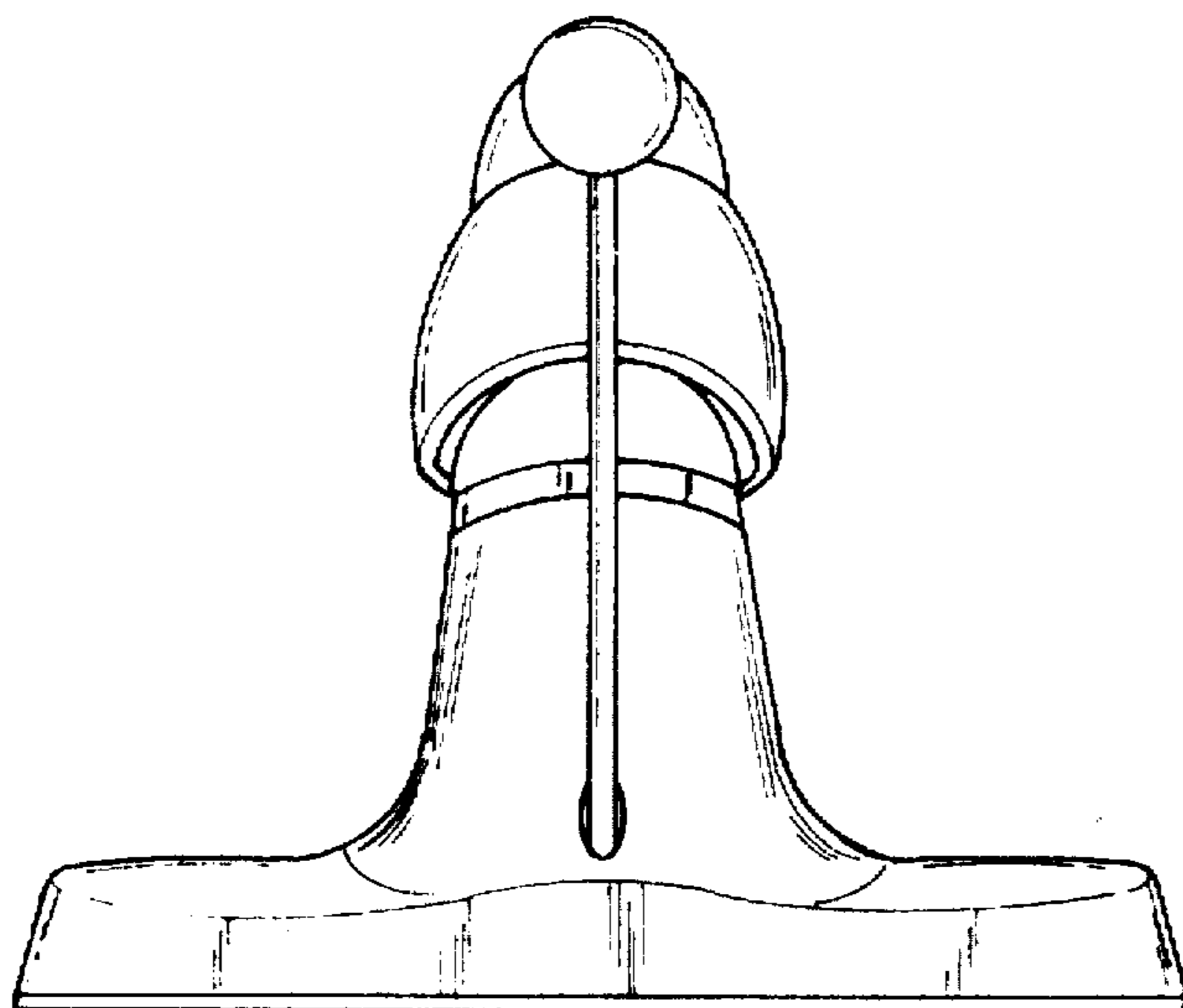




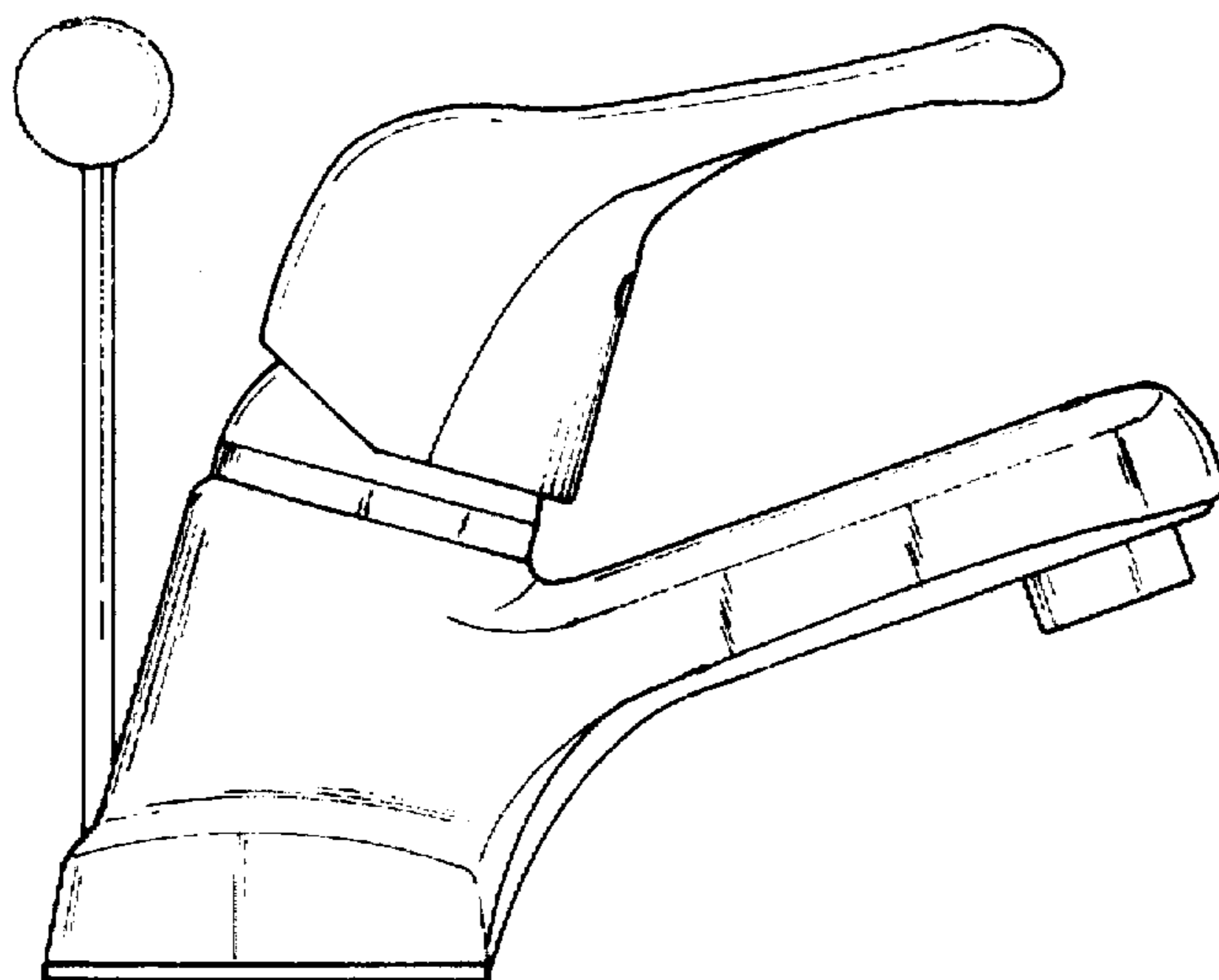
*Fig-1*



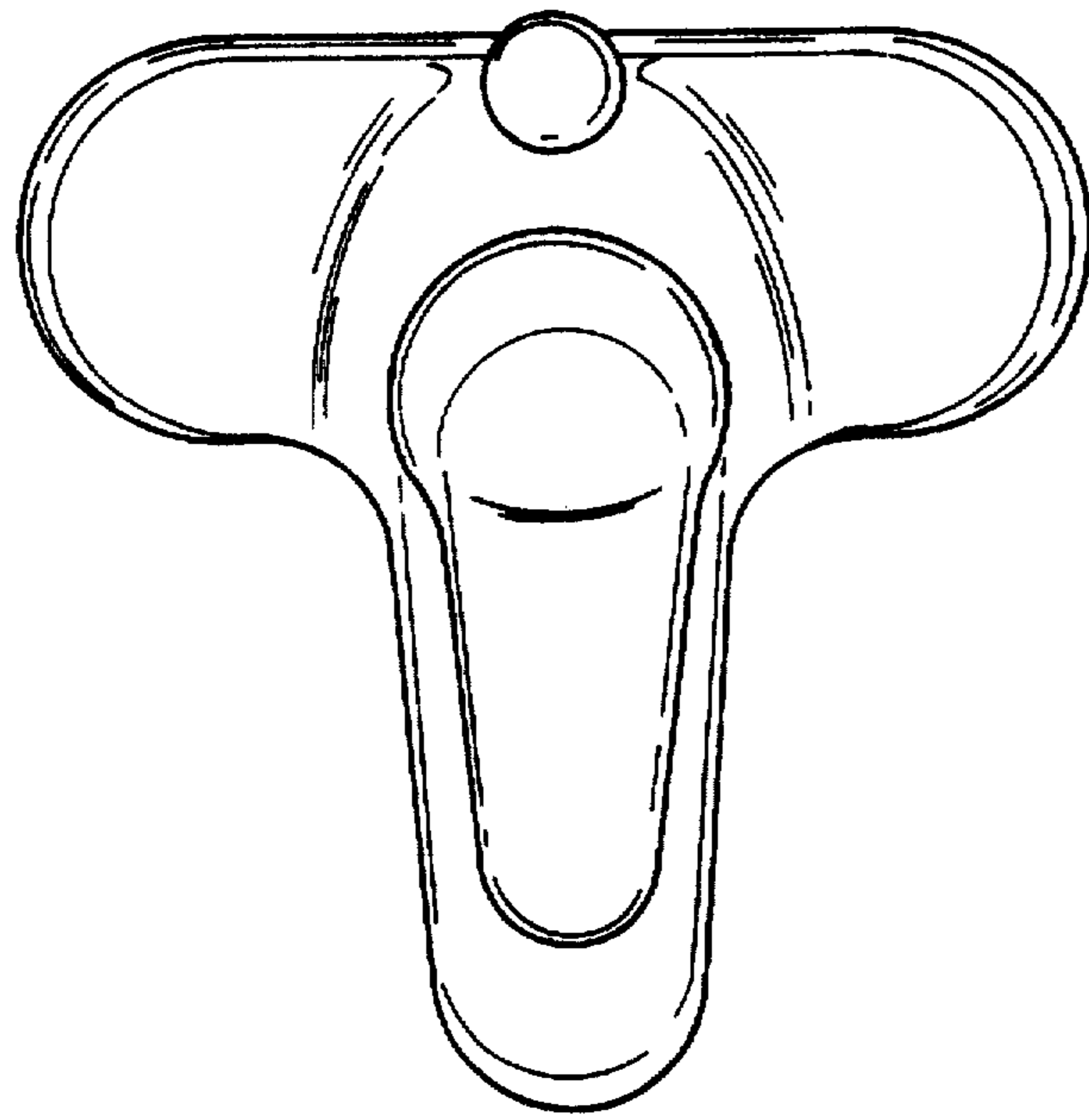
*Fig-2*



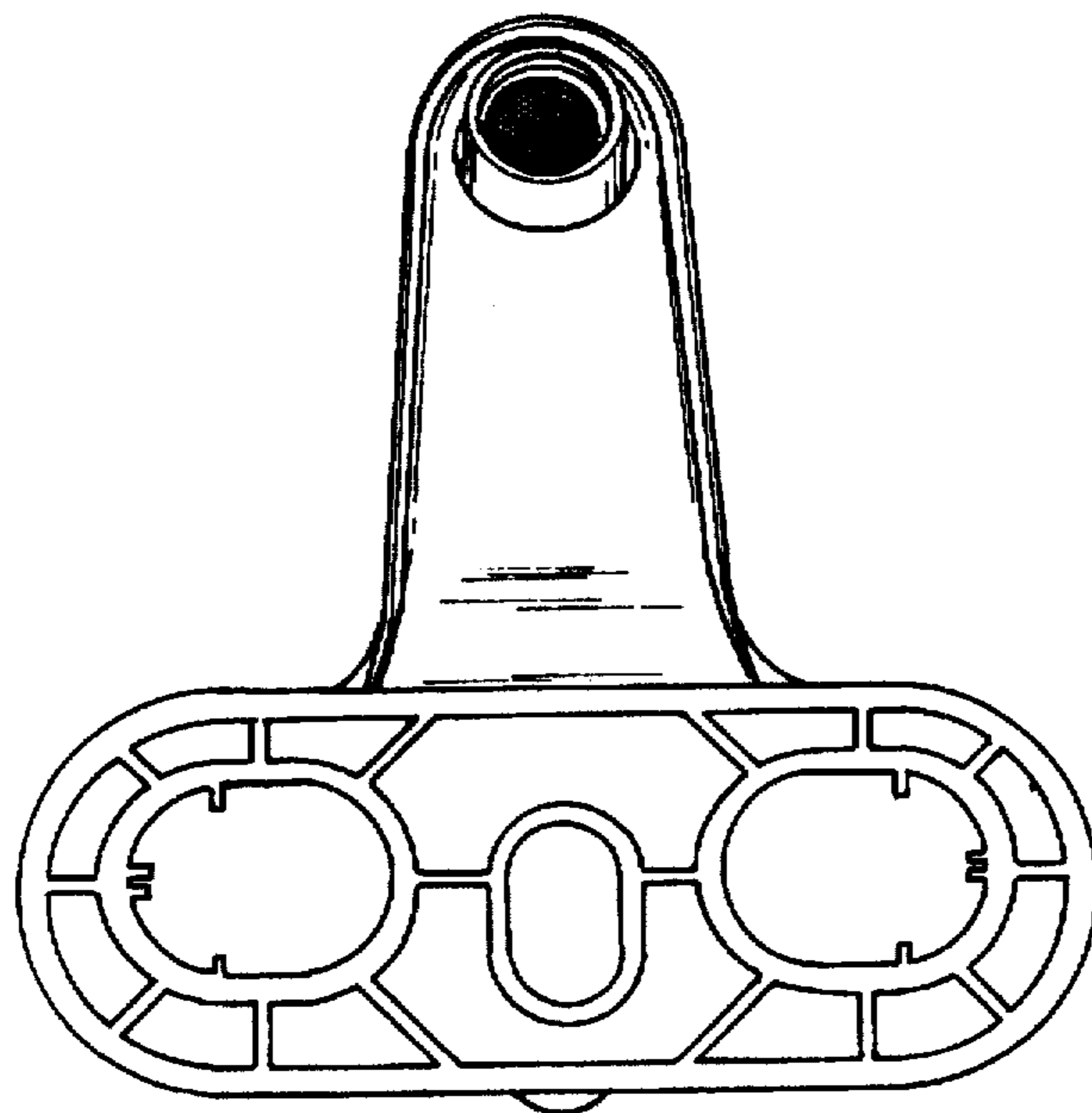
*Fig-3*



*Fig-4*



*Fig-5*



*Fig-6*