

US00D393049S

# United States Patent [19]

Allen, Jr.

[11] Patent Number: **Des. 393,049**

[45] Date of Patent: **\*\*Mar. 31, 1998**

[54] **WATER SUPPLY AND SHUT OFF VALVE FOR KITCHEN AND BATHROOM SINKS**

[76] Inventor: **Arthur F. Allen, Jr.**, 5 Moss Pointe Cir., Savannah, Ga. 31410

[\*\*] Term: **14 Years**

[21] Appl. No.: **27,353**

[22] Filed: **Aug. 18, 1994**

[51] LOC (6) Cl. .... **23-02**

[52] U.S. Cl. .... **D23/233**

[58] Field of Search ..... **D23/233-237;**  
403/359; D6/303, 306, 308, 311, 309; 251/293;  
16/112, 114 R, 121, DIG. 30; 4/671, 672

[56] **References Cited**

**U.S. PATENT DOCUMENTS**

2,991,481	7/1961	Book	.....	4/675 X
3,106,722	10/1963	Logan et al.	.....	4/675
3,582,116	6/1971	Young	.	
4,266,320	5/1981	Grant	.	
4,842,009	6/1989	Reback	.	
4,860,786	8/1989	Pollard	.	
4,942,896	7/1990	Slusser	.....	4/675
5,199,119	4/1993	Weber	.	
5,203,373	4/1993	Austin, Jr. et al.	.	

**FOREIGN PATENT DOCUMENTS**

1053182 9/1953 France .  
1503783 3/1978 United Kingdom .

*Primary Examiner*—Louis S. Zarfes  
*Assistant Examiner*—Eric Watterson  
*Attorney, Agent, or Firm*—Dennis H. Lambert

[57] **CLAIM**

The ornamental design for a water supply and shut off valve for kitchen and bathroom sinks, as shown and described.

**DESCRIPTION**

FIG. 1 is a front, top, and side perspective view of the water supply and shut off valve for kitchen and bathroom sinks showing my new design;

FIG. 2 is a right side elevational view thereof;

FIG. 3 is a left side elevational view thereof;

FIG. 4 is a rear elevational view thereof;

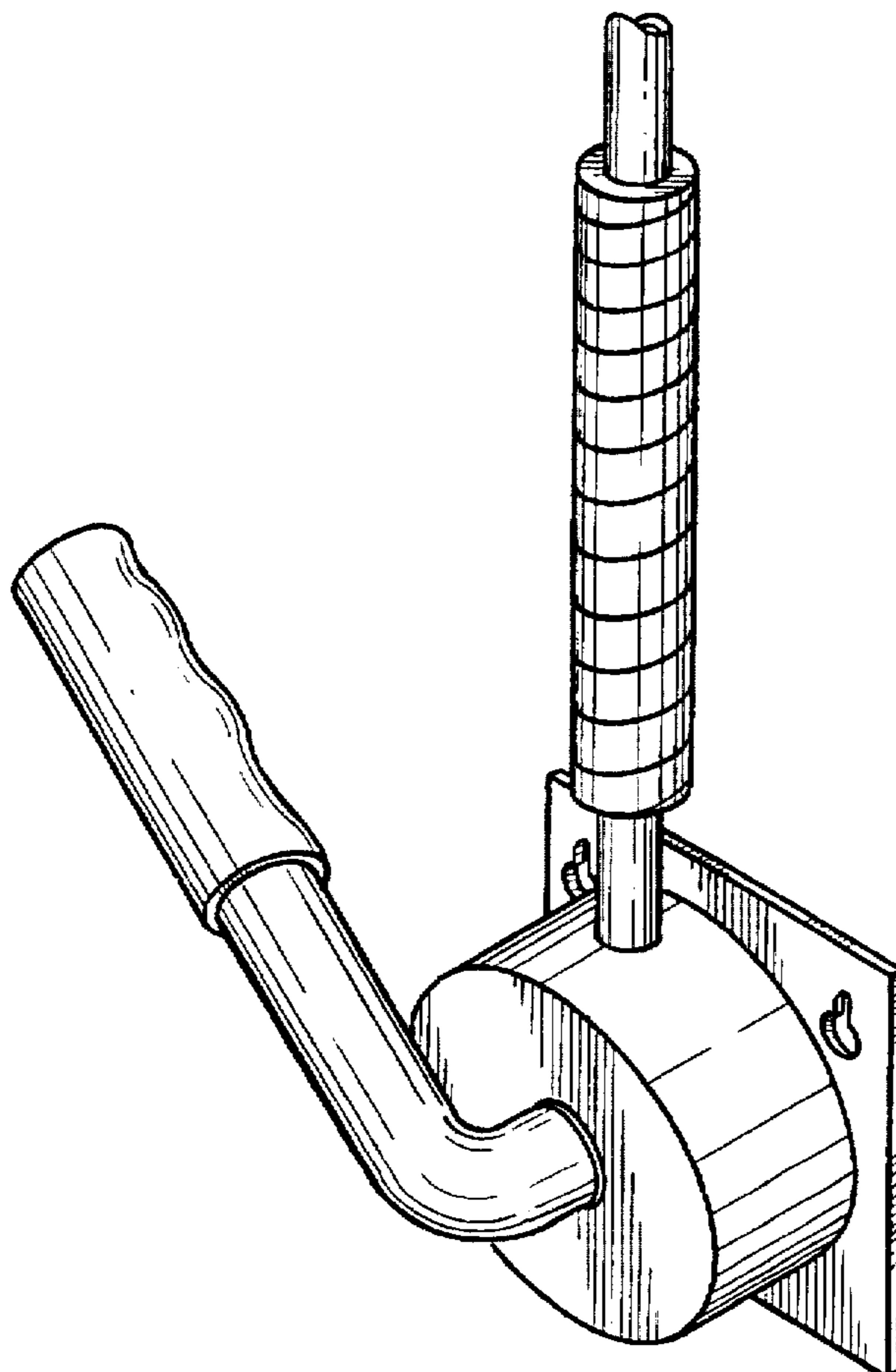
FIG. 5 is a front elevational view thereof;

FIG. 6 is a top plan view thereof; and,

FIG. 7 is a bottom plan view thereof.

The top end shown broken away for indeterminate length.

**1 Claim, 4 Drawing Sheets**



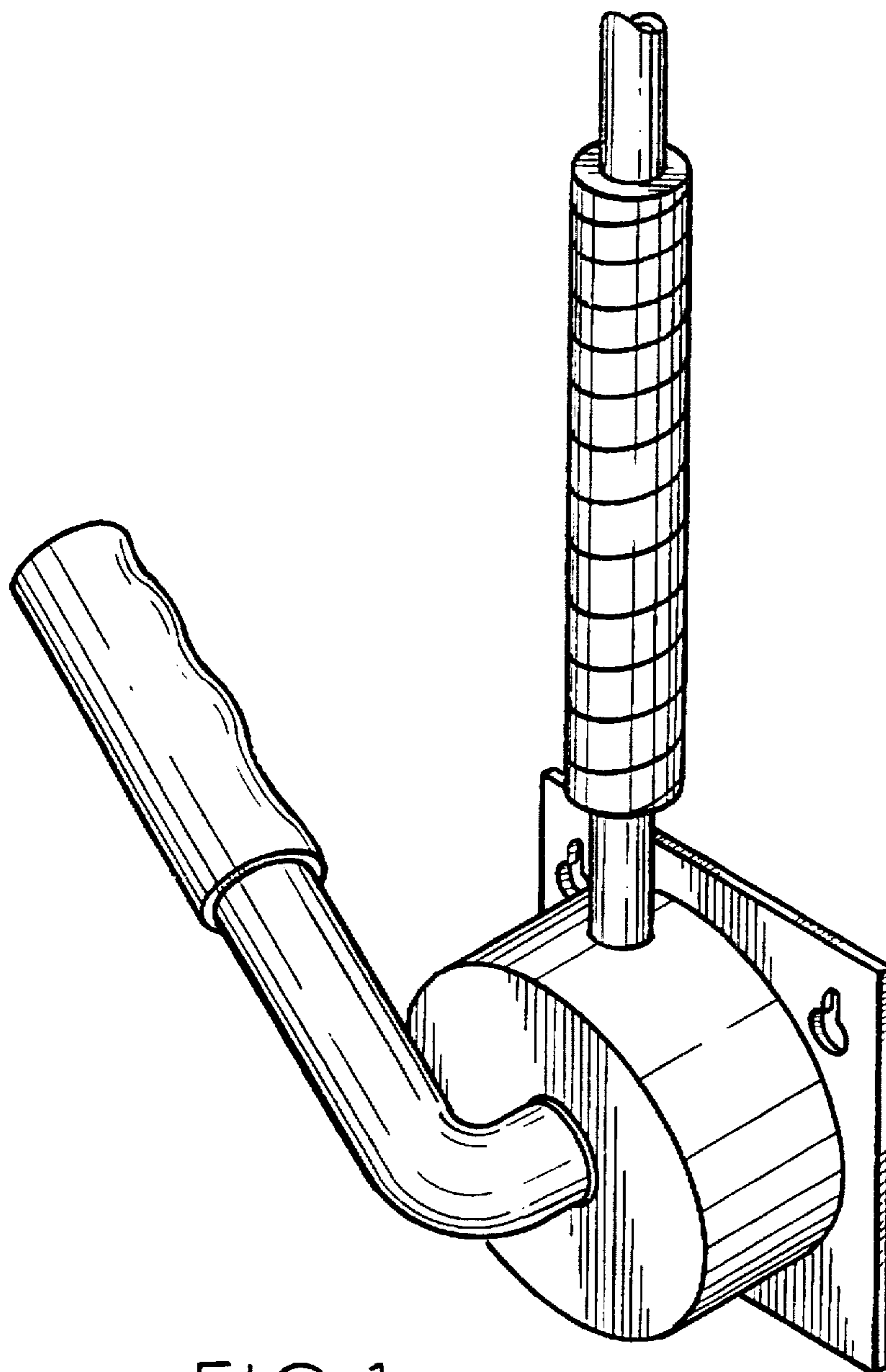


FIG. 1.

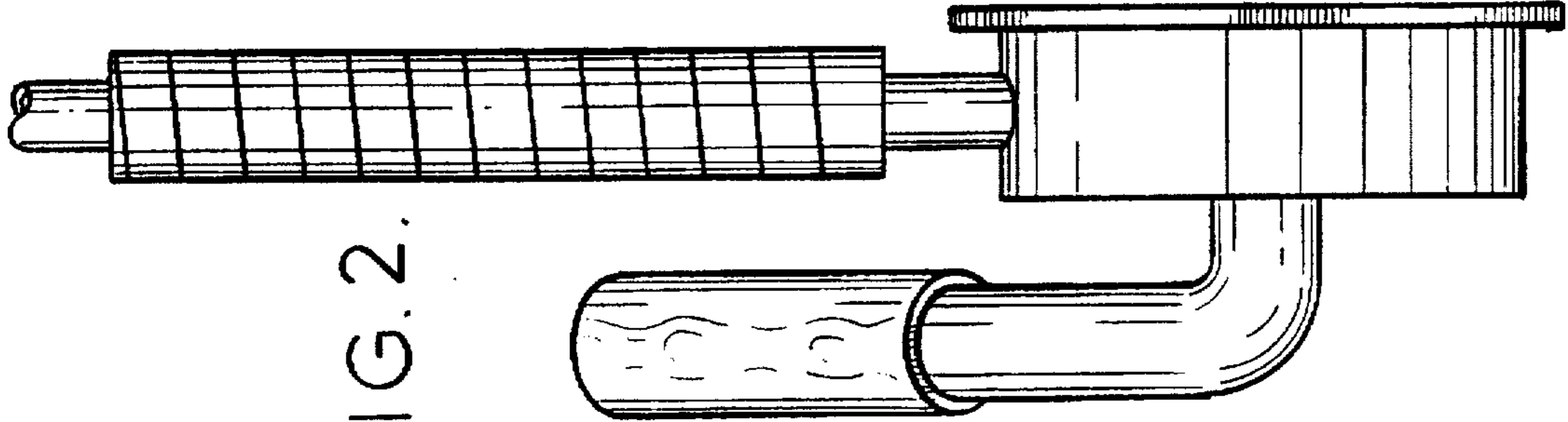


FIG. 2.

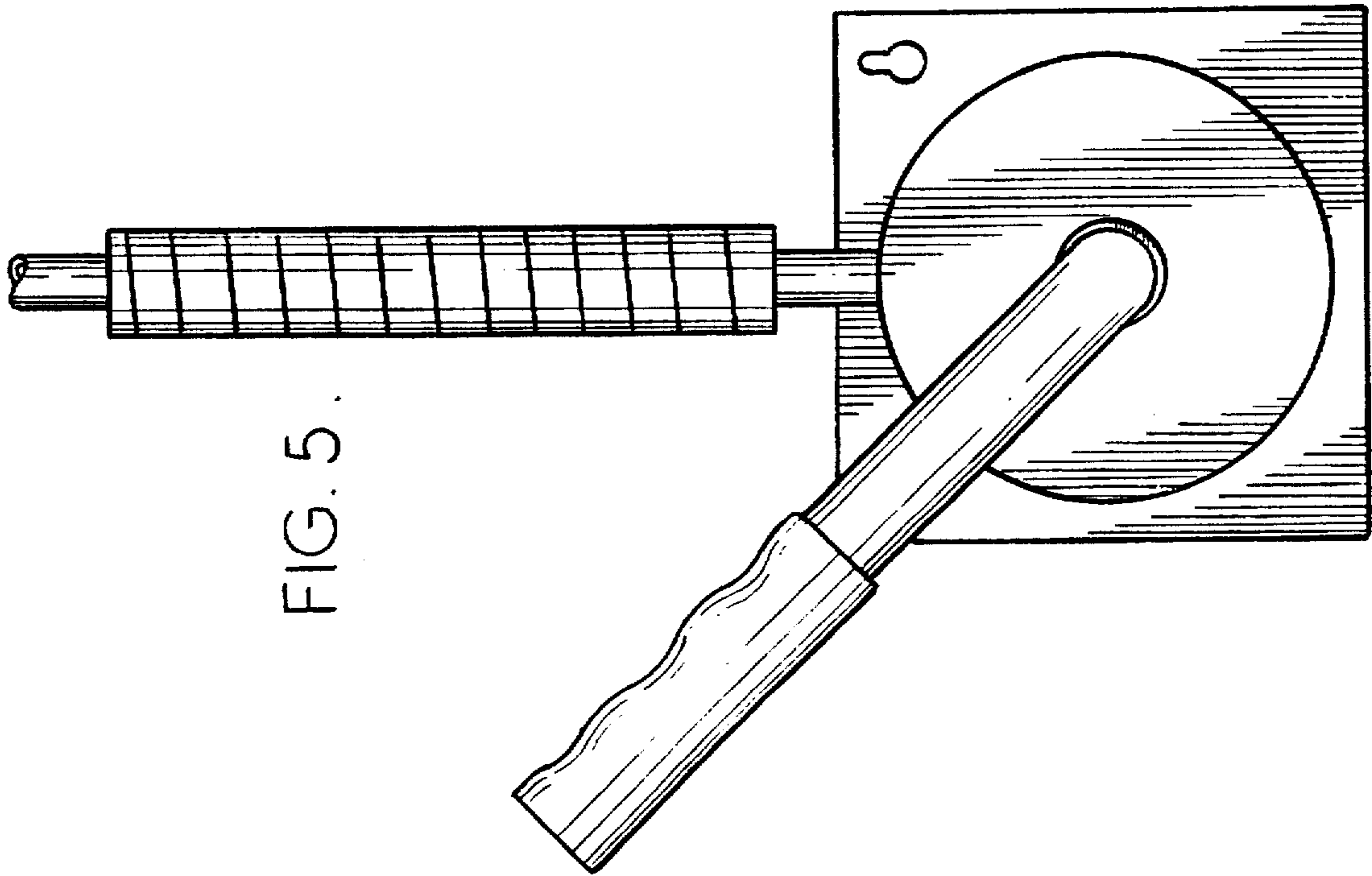


FIG. 5.

FIG. 3.

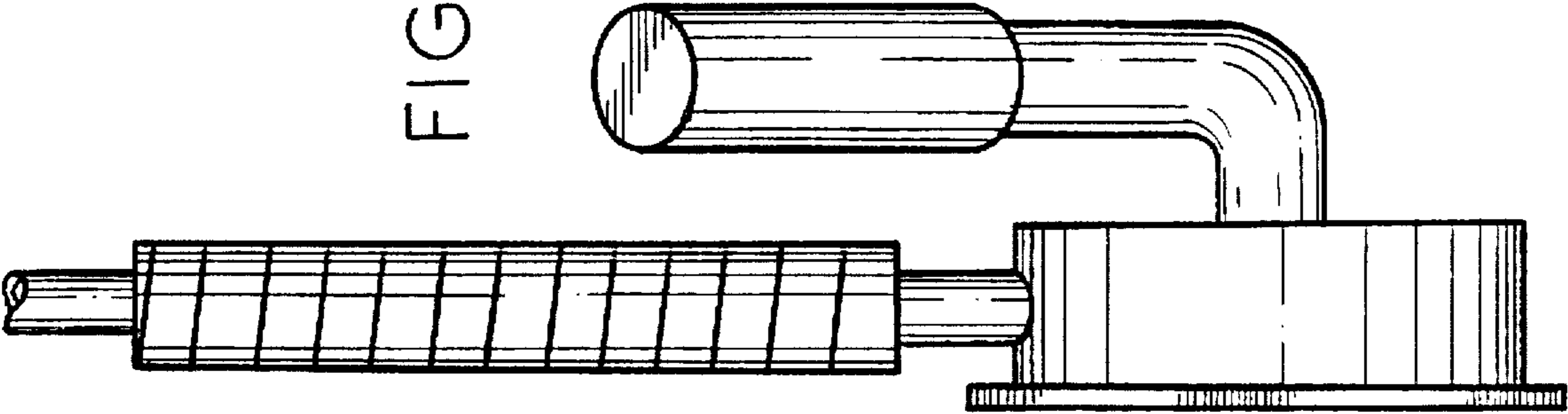


FIG. 7.

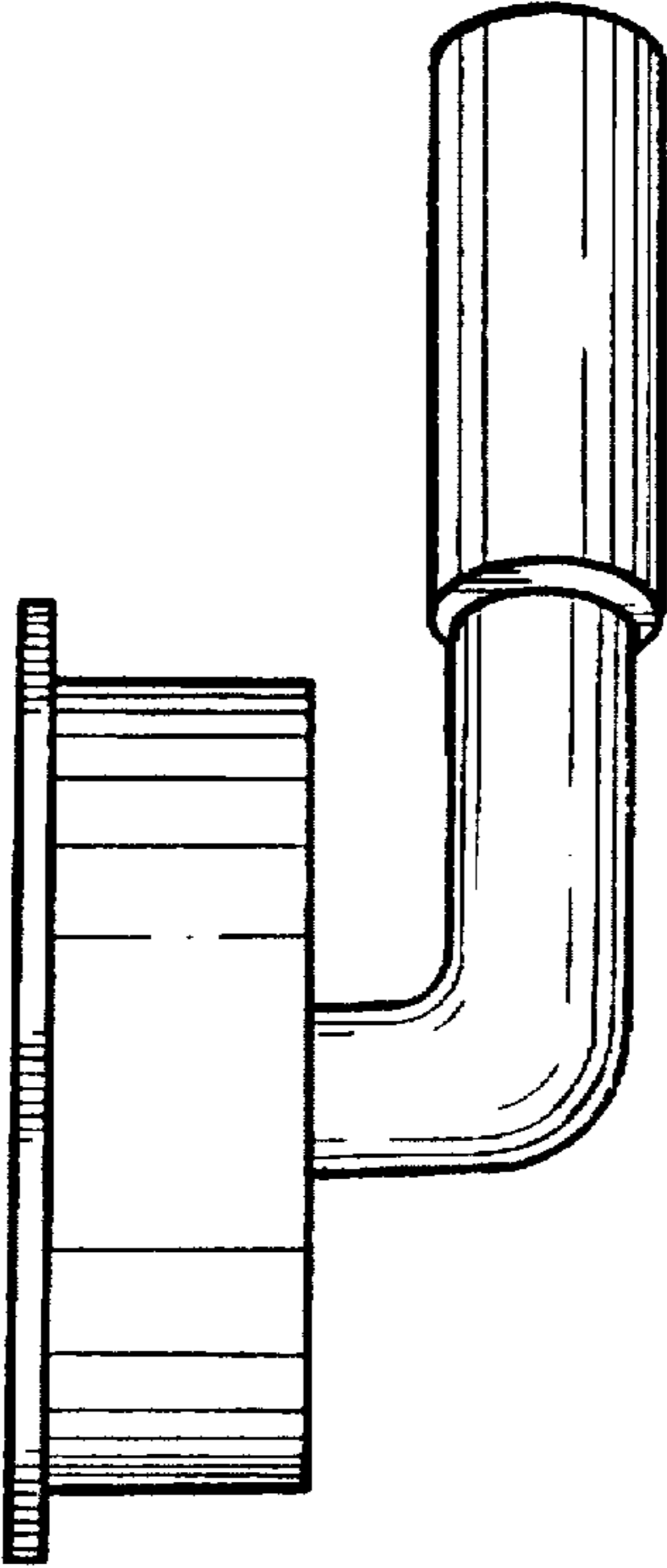


FIG. 4.

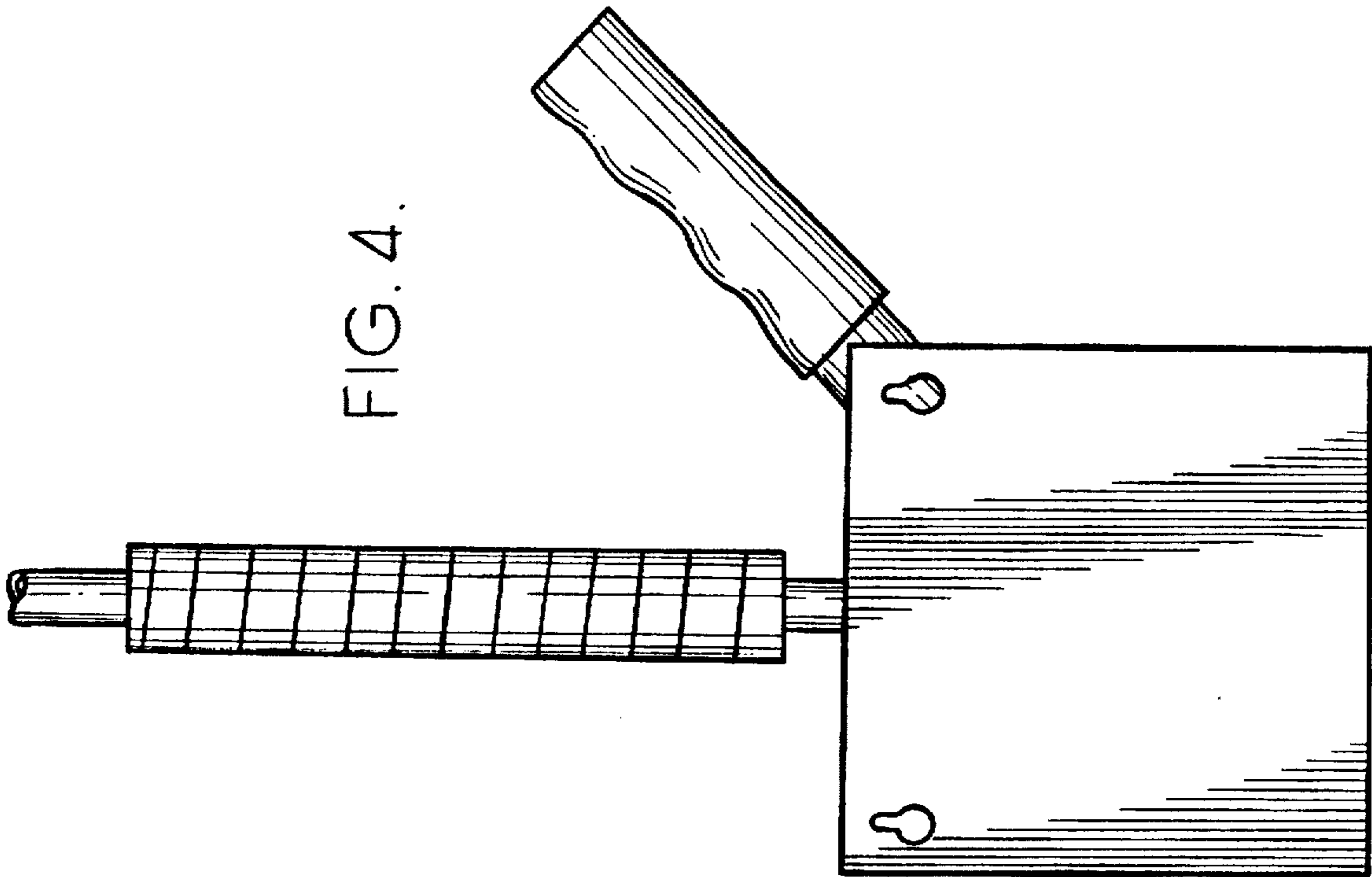


FIG. 6.

