



US00D393048S

**United States Patent** [19]  
**Hearvey**

[11] **Patent Number: Des. 393,048**  
[45] **Date of Patent: \*\*Mar. 31, 1998**

[54] **MULTI-PURPOSE USE THREADED NOZZLE WITH TURN FLOW CONTROL**

*Primary Examiner*—Alan P. Douglas  
*Assistant Examiner*—Robin V. Taylor

[76] **Inventor: Albert Hearvey, 20102 Nestor Ave., Carson, Calif. 90746**

[57] **CLAIM**

[\*\*] **Term: 14 Years**

The ornamental design for a multi-purpose use threaded nozzle with turn flow control, as shown and described.

[21] **Appl. No.: 73,595**

[22] **Filed: Jul. 11, 1997**

**DESCRIPTION**

[51] **LOC (6) Cl. .... 23-01**

[52] **U.S. Cl. .... D23/213**

[58] **Field of Search .... D23/213, 223-230; 239/459, 460, 394, 589, 337**

FIG. 1 is a front elevational view of the multi-purpose use threaded nozzle with turn flow control, showing my new design;

FIG. 2 is a rear elevational view thereof;

FIG. 3 is a right side view thereof;

FIG. 4 is a left side view thereof;

FIG. 5 is a top plan view thereof; and,

FIG. 6 is a bottom plan view thereof.

[56] **References Cited**

**U.S. PATENT DOCUMENTS**

- D. 98,259 1/1936 Kramer ..... D23/229
- D. 186,646 11/1959 Lockett ..... D23/229
- D. 263,331 3/1982 Parker ..... D23/213

**OTHER PUBLICATIONS**

Sherman catalog; Item #143-C Power Sweeper nozzle, 1987.

Sherman Lawn and Garden catalog; SN-143C Power Sweeper; p. 12, 1996.

**1 Claim, 3 Drawing Sheets**

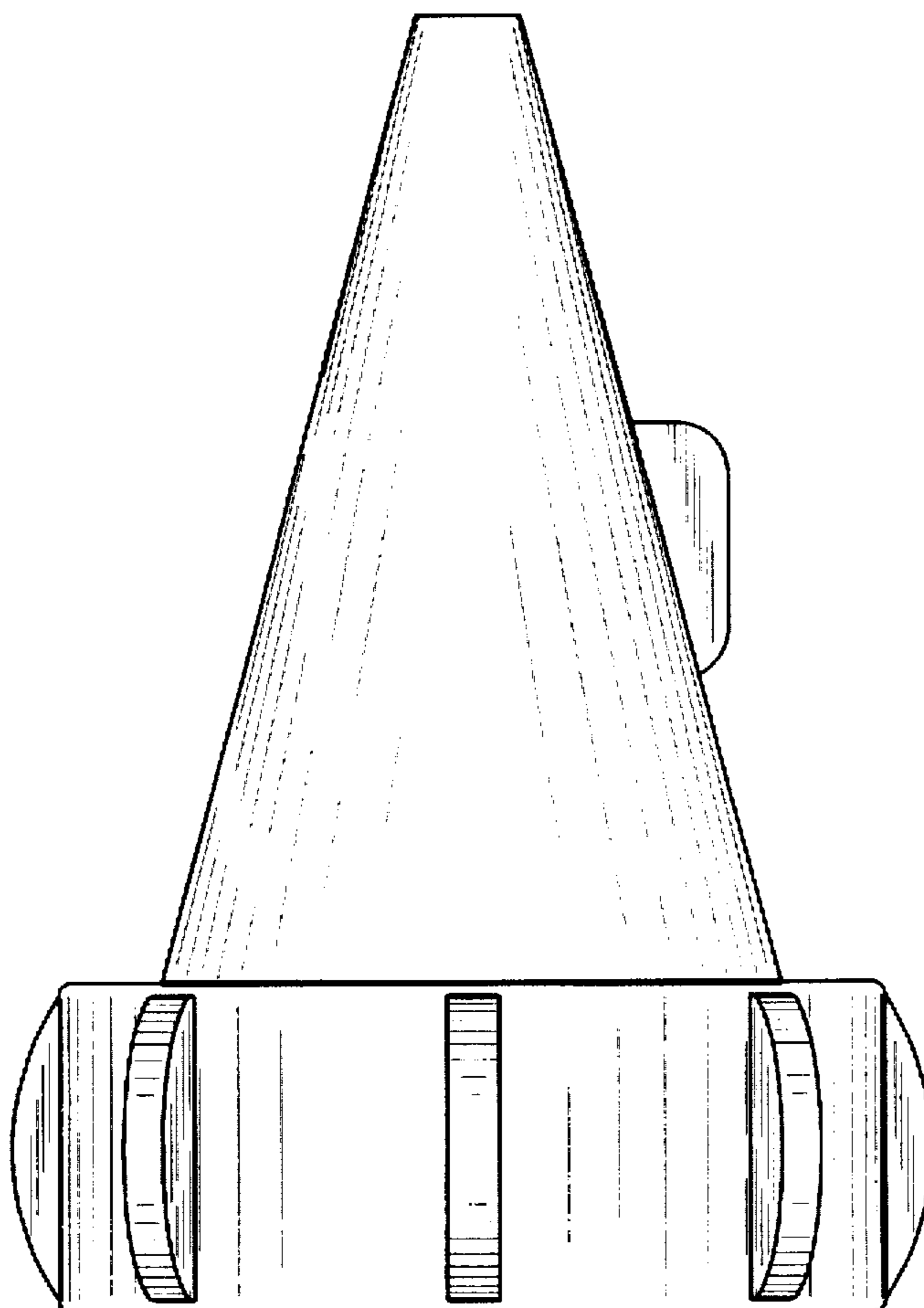


FIG. 1

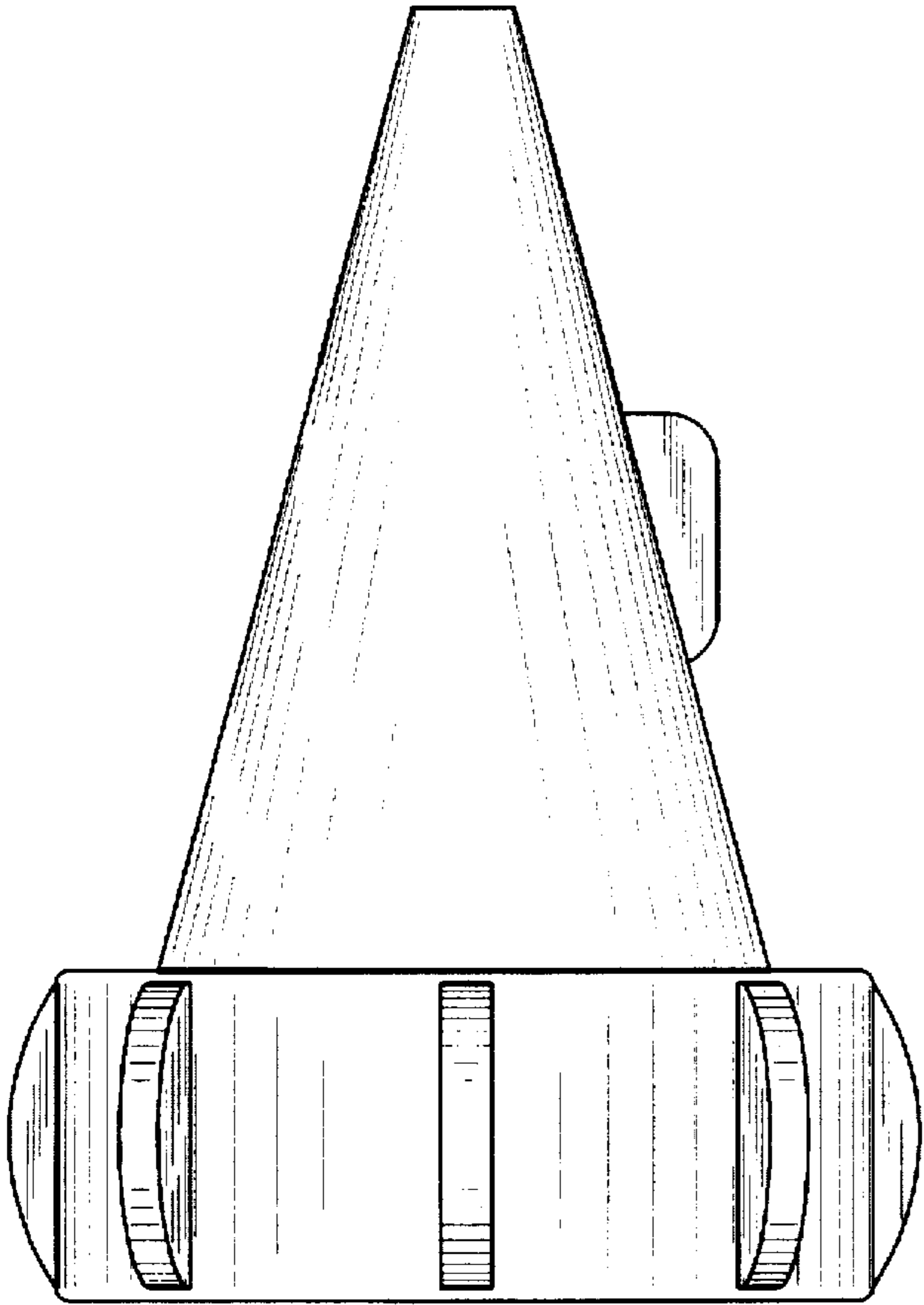


FIG. 2

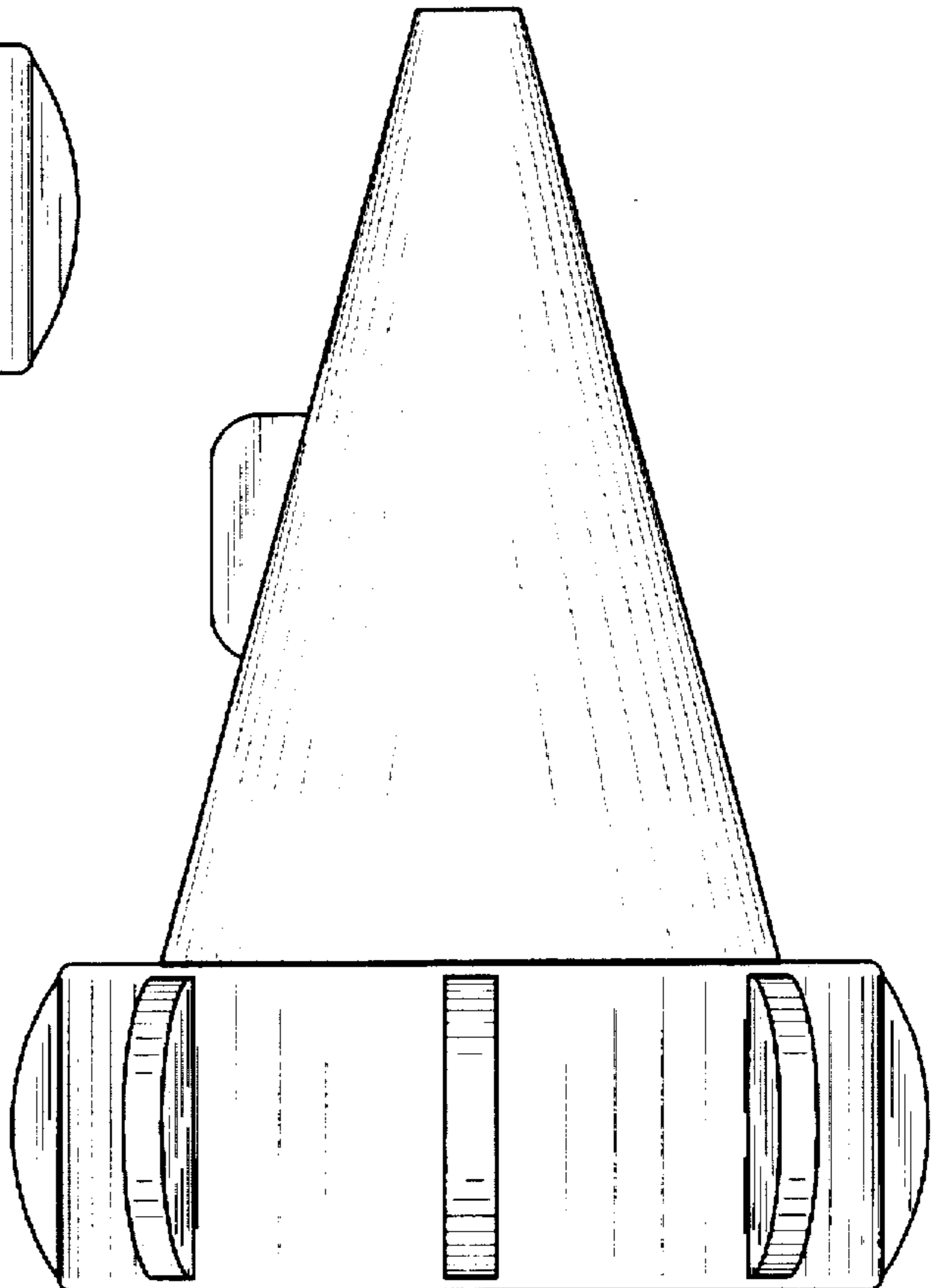


FIG. 3

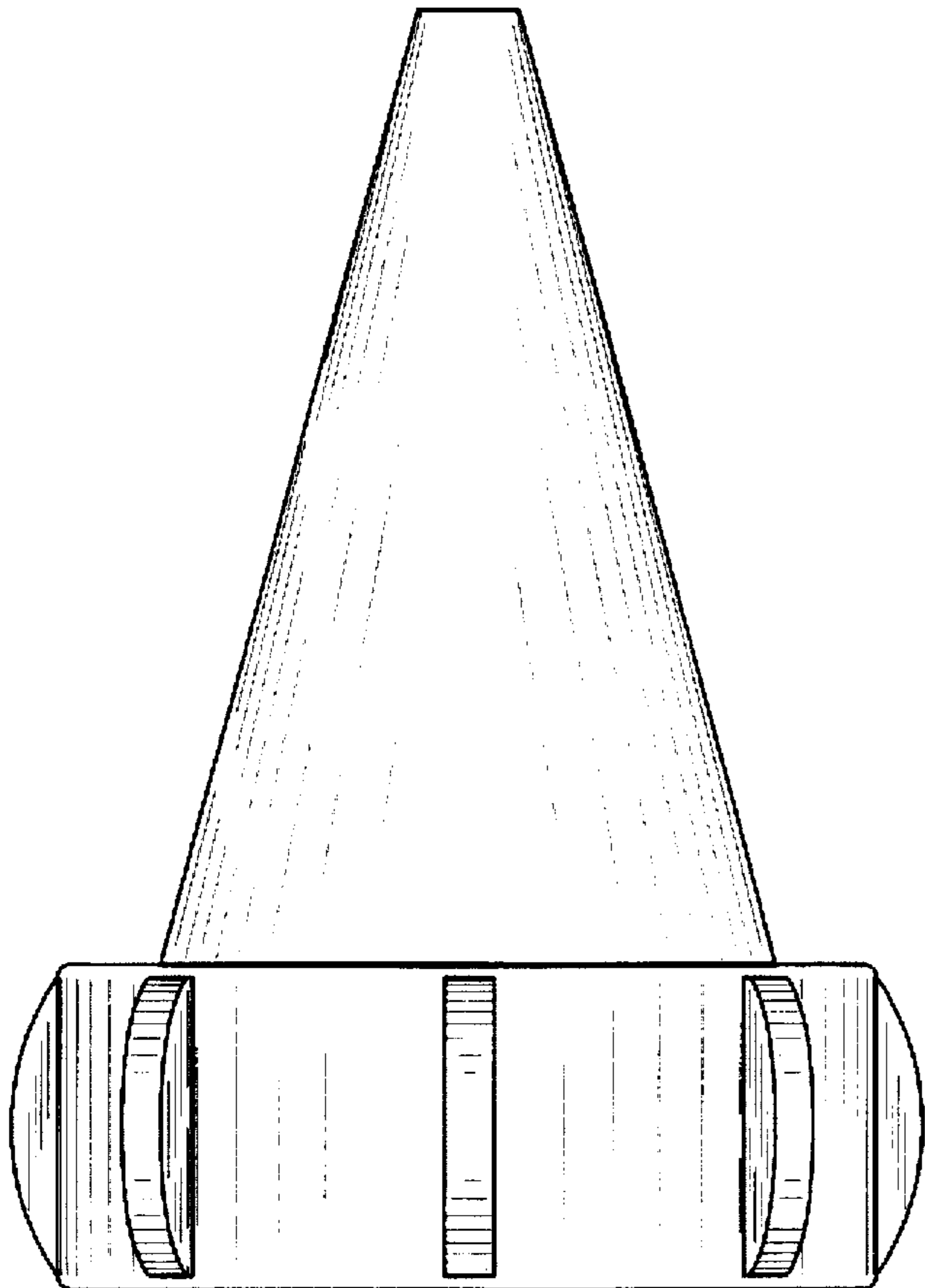


FIG. 4

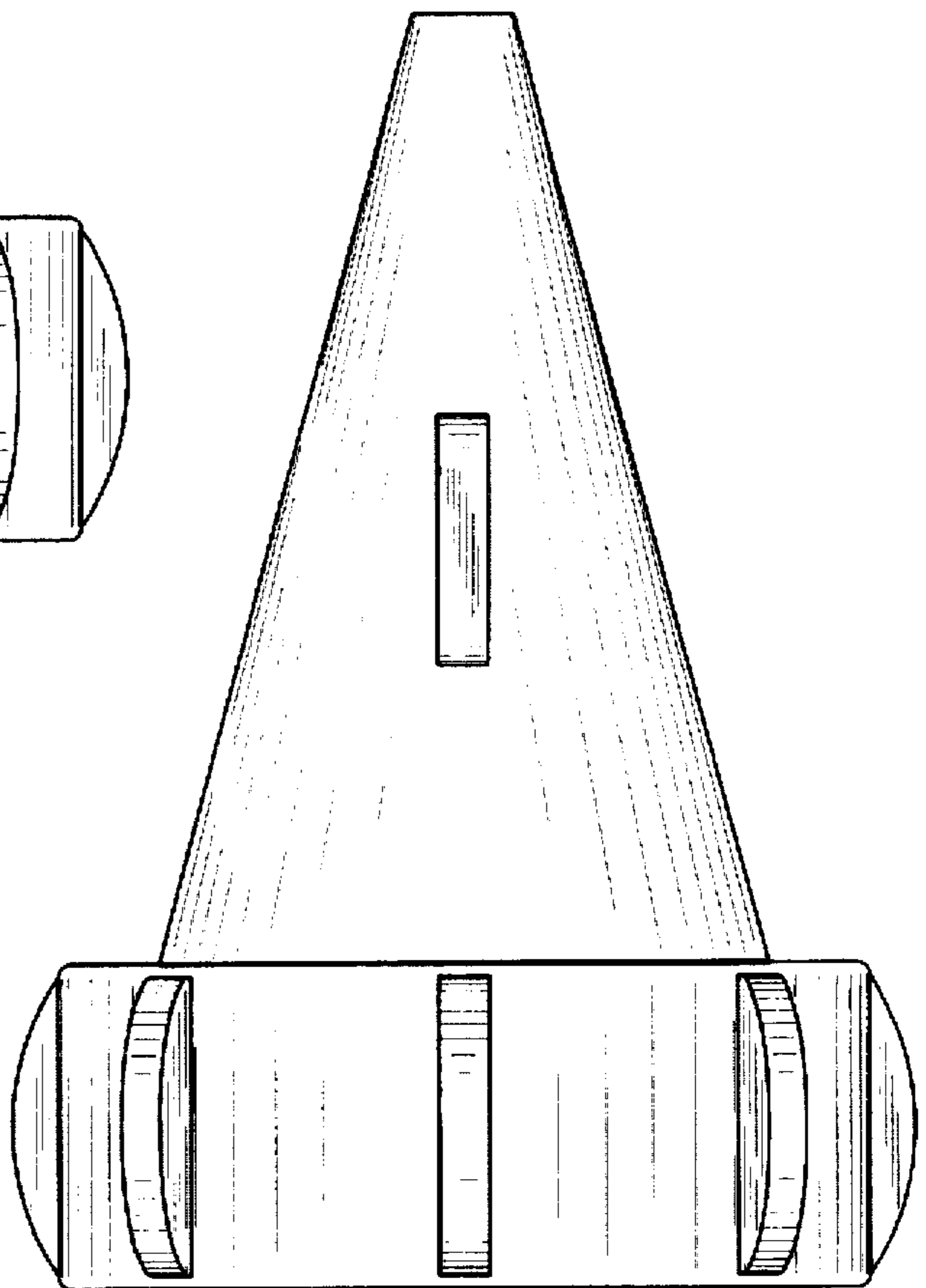


FIG. 5

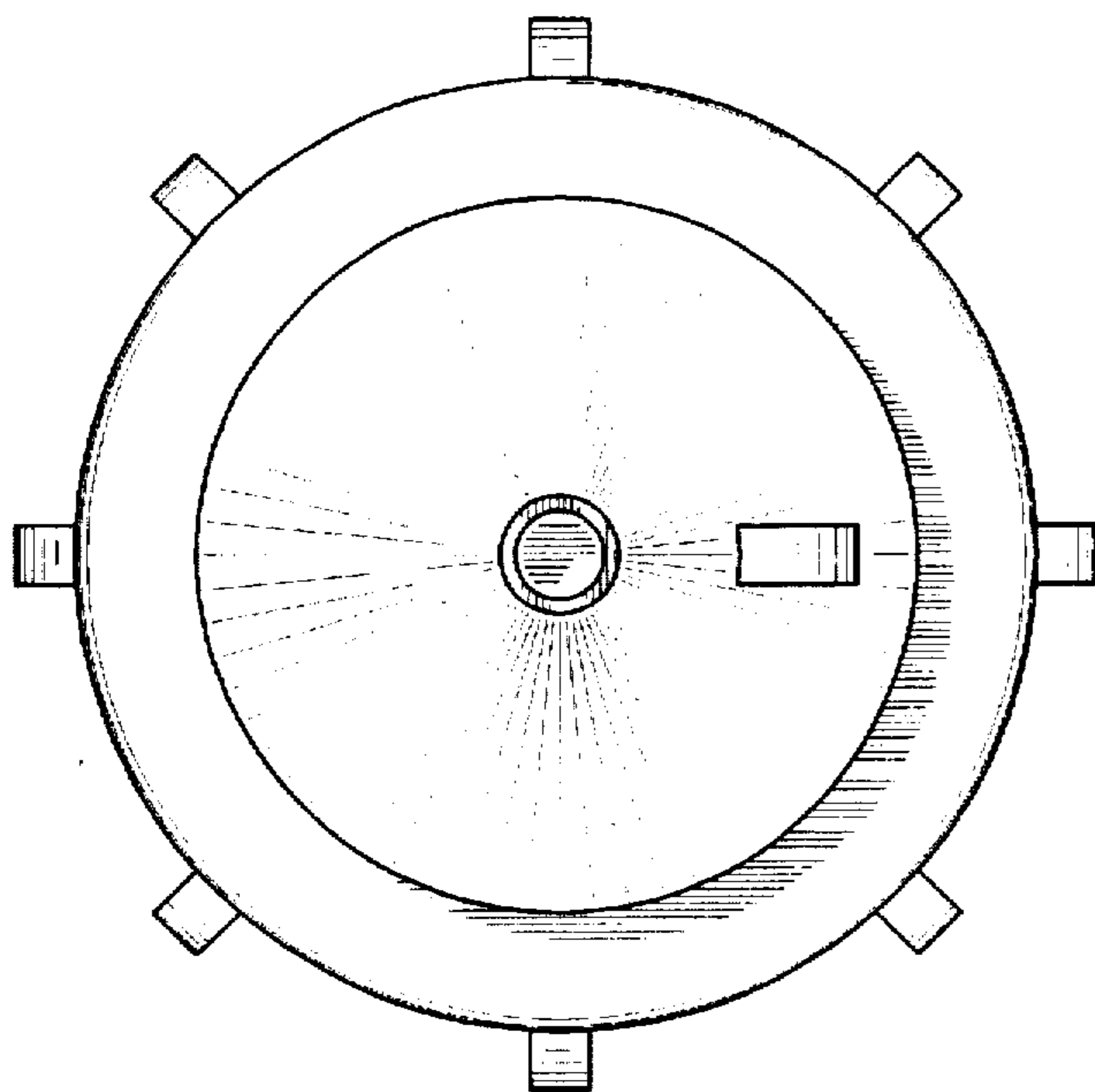


FIG. 6

