



US00D393047S

United States Patent [19]

Andrus et al.

[11] Patent Number: Des. 393,047

[45] Date of Patent: **Mar. 31, 1998

[54] **SHOWERHEAD**

[75] Inventors: **Leonard C. Andrus**, Plymouth; **Ronald D. Green**, New Hudson; **Bruce Higgins**, South Lyon, all of Mich.

[73] Assignee: **Brass-Craft Manufacturing Company**, Novi, Mich.

[**] Term: **14 Years**

[21] Appl. No.: **71,414**

[22] Filed: **May 29, 1997**

[51] **LOC (6) Cl.** **23-01**

[52] **U.S. Cl.** **D23/213**

[58] **Field of Search** **D23/213, 223-230; 239/459, 460, 394, 276, 272, 548, 550**

[56] **References Cited**

U.S. PATENT DOCUMENTS

D. 113,439	2/1939	Reinecke	D23/213
D. 115,795	7/1939	Reinecke	D23/230
D. 118,419	1/1940	Rockwood	D23/213
D. 208,526	9/1967	Delamater .	
D. 245,859	9/1977	Grube .	
D. 261,300	10/1981	Klose .	
D. 261,417	10/1981	Klose .	
D. 267,582	1/1983	Mackay et al. .	
D. 268,359	3/1983	Klose .	
D. 269,540	6/1983	Larsson .	
D. 295,437	4/1988	Fabian .	
D. 313,456	1/1991	Presman	D23/213
D. 313,833	1/1991	Presman	D23/213
D. 314,608	2/1991	Presman .	
D. 315,191	3/1991	Mikol .	
D. 320,064	9/1991	Presman .	
D. 323,545	1/1992	Ward	D23/213
D. 327,115	6/1992	Rogers .	
D. 327,729	7/1992	Rogers .	
D. 332,303	1/1993	Klose .	
D. 333,338	2/1993	Klose .	
D. 334,046	3/1993	Klose .	
D. 334,048	3/1993	Ben-Zur .	
D. 337,810	7/1993	Bengtson et al. .	
D. 339,627	9/1993	Klose .	

D. 355,951	2/1995	Ran .	
D. 363,114	10/1995	Andrus .	
D. 367,696	3/1996	Andrus .	
D. 368,761	4/1996	Andrus .	
D. 369,203	4/1996	Andrus .	
D. 369,204	4/1996	Andrus .	
D. 369,205	4/1996	Andrus .	
D. 377,965	2/1997	Andrus	D23/213
3,180,579	4/1965	Tomaso .	
3,468,483	9/1969	Parkison .	
4,043,511	8/1977	Nakamura	239/394
4,203,550	5/1980	On .	
4,303,201	12/1981	Elkins et al. .	
4,588,130	5/1986	Trenary et al. .	
4,629,125	12/1986	Liu .	
5,297,735	3/1994	Heimann et al. .	

OTHER PUBLICATIONS

Craftech Collection catalog; #02-0008 shower head, Aug. 1995.
Advertisement "Great Vibrations", Hardware Age, Mar. 1997.

Primary Examiner—Alan P. Douglas
Assistant Examiner—Robin V. Taylor
Attorney, Agent, or Firm—Myron B. Kapustij; Malcolm L. Sutherland

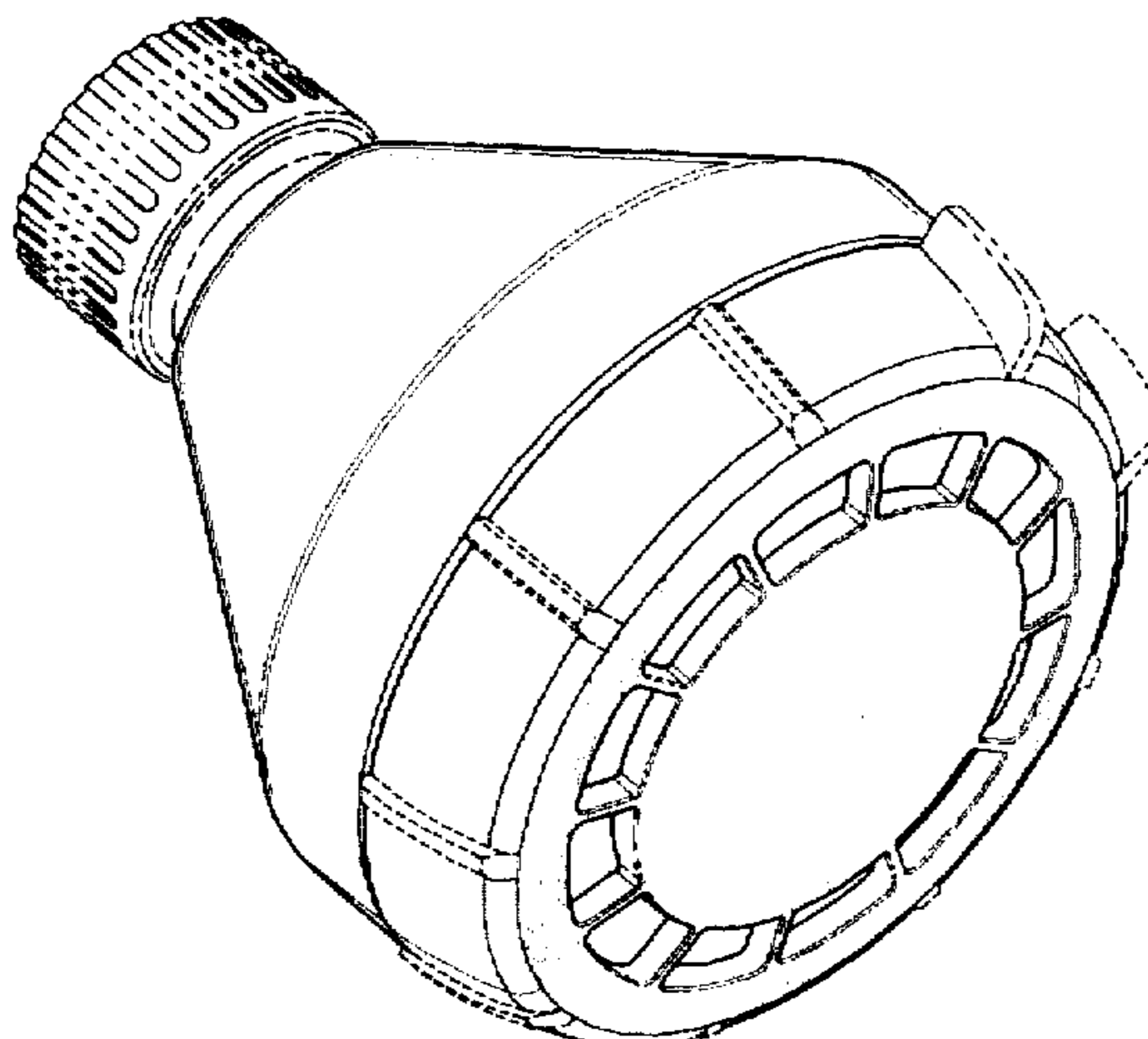
[57] **CLAIM**

The ornamental design for a showerhead, as shown and described.

DESCRIPTION

FIG. 1 is a front perspective view of a showerhead showing our new design;
FIG. 2 is a side elevational view thereof, the other side being a mirror image;
FIG. 3 is a front elevational view thereof; and,
FIG. 4 is a rear elevational view thereof.
The broken line representation of the attachment socket at the rear of the showerhead in FIGS. 1, 2 and 4 and of the ribs around the periphery of the faceplate in FIGS. 1-4 are for purposes of illustration only and form no part of the claimed design.

1 Claim, 2 Drawing Sheets



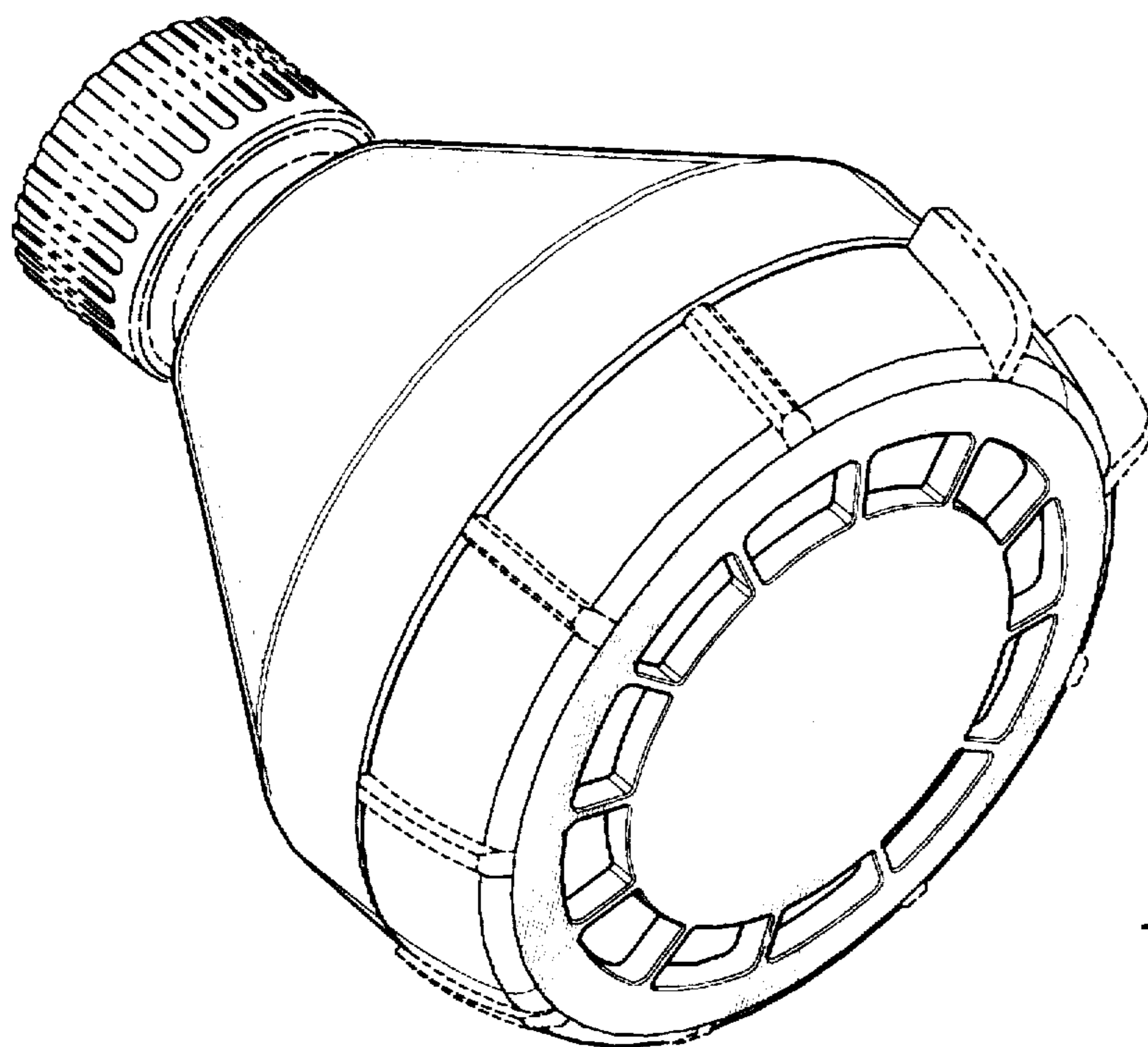
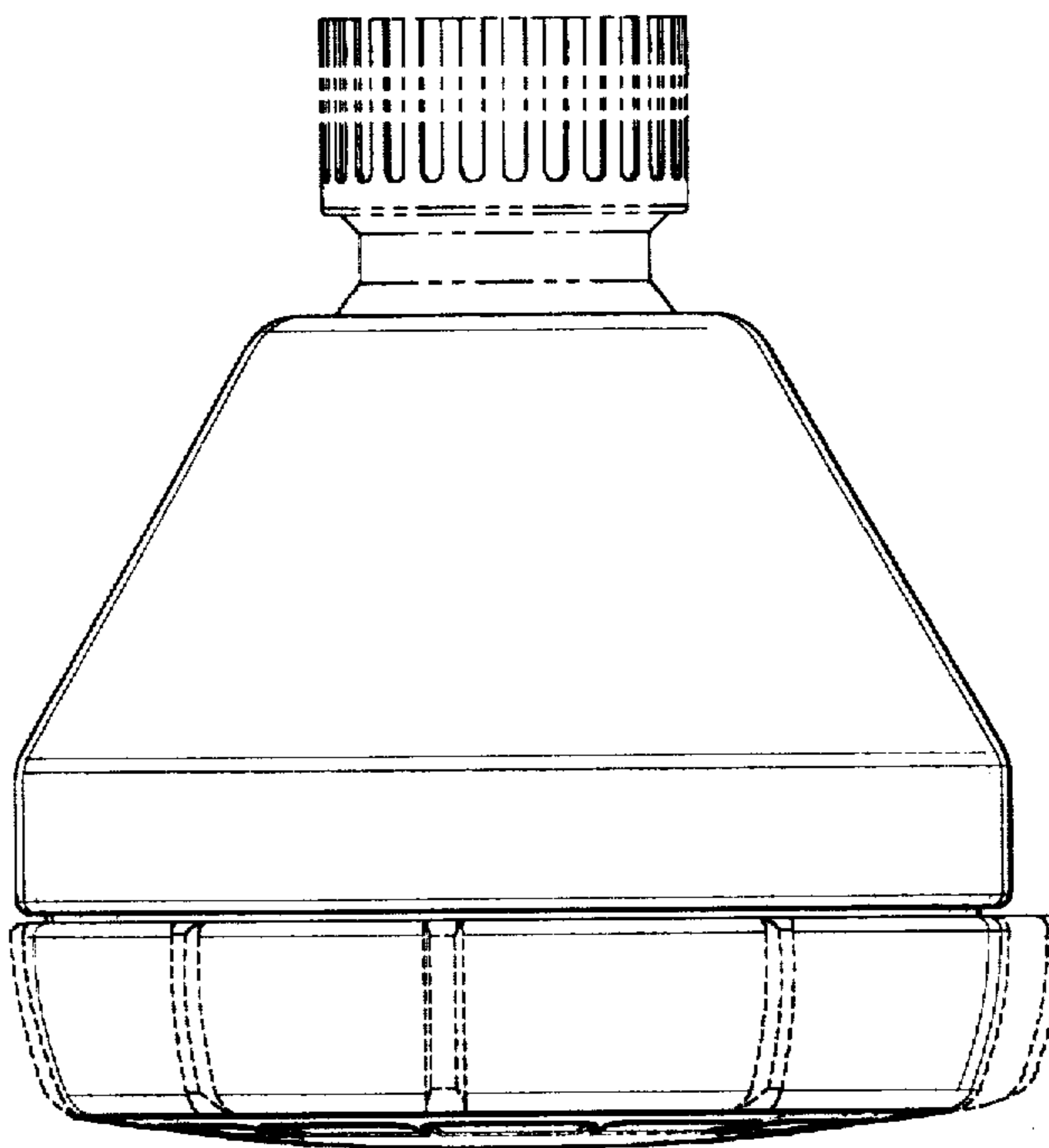


Fig-1

Fig-2



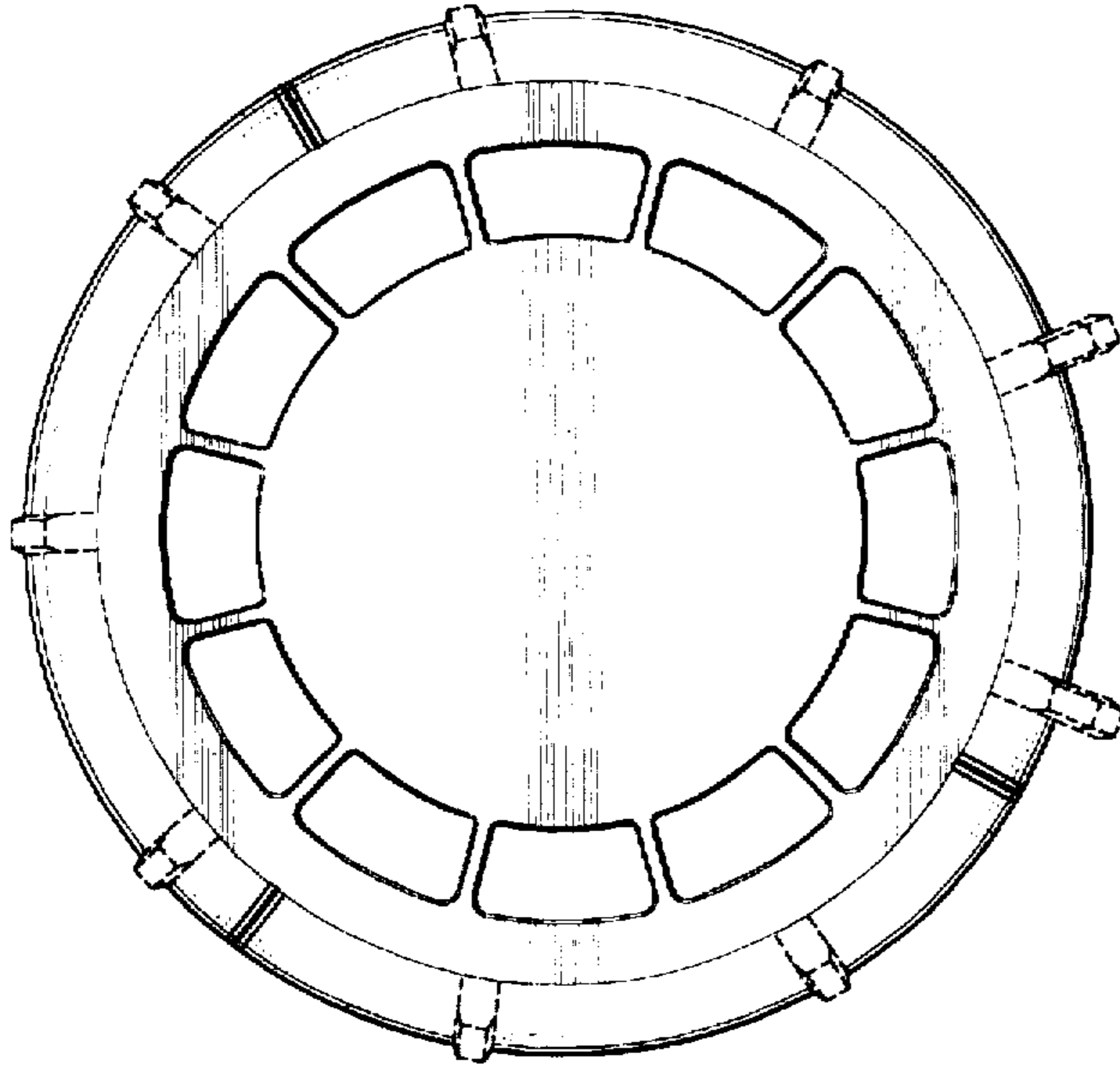


Fig-3

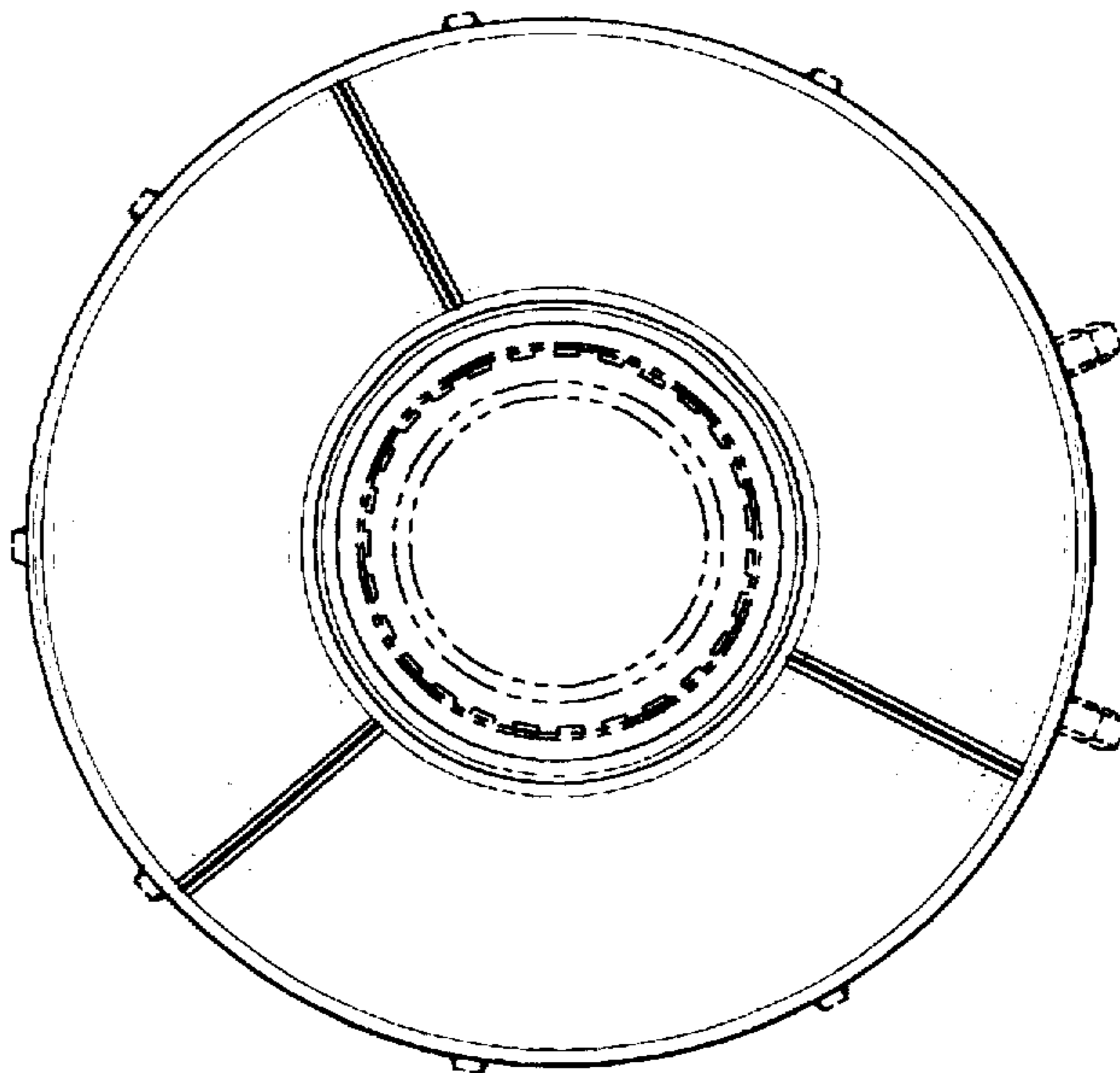


Fig-4