



US00D393045S

United States Patent [19]

Hsu

[11] Patent Number: **Des. 393,045**

[45] Date of Patent: ****Mar. 31, 1998**

[54] **NAME CARD RACK**

2,598,890 6/1952 Cisi et al. 248/273 X

[76] Inventor: **Junior Julian Hsu**, 3633 Palm Canyon,
Northbrook, Ill. 60062

Primary Examiner—Susan J. Lucas
Assistant Examiner—Jennifer Regester
Attorney, Agent, or Firm—Bacon & Thomas

[**] Term: **14 Years**

[57] **CLAIM**

[21] Appl. No.: **56,759**

The ornamental design for a name card rack, as shown and described.

[22] Filed: **Jul. 8, 1996**

DESCRIPTION

[51] **LOC (6) Cl.** **20-02**

[52] **U.S. Cl.** **D20/43; D20/15; D19/90**

[58] **Field of Search** D20/10, 43, 15,
D20/40; D19/90, 81; D21/54, 57; 40/642.02,
124.1, 661, 649; 248/273; 273/150

FIG. 1 is a perspective view of a name card rack showing my design;

FIG. 2 is a front elevation view thereof;

FIG. 3 is a rear elevation view thereof;

FIG. 4 is a left side elevation view thereof;

FIG. 5 is a right side elevation view thereof;

FIG. 6 is a top plan view thereof; and,

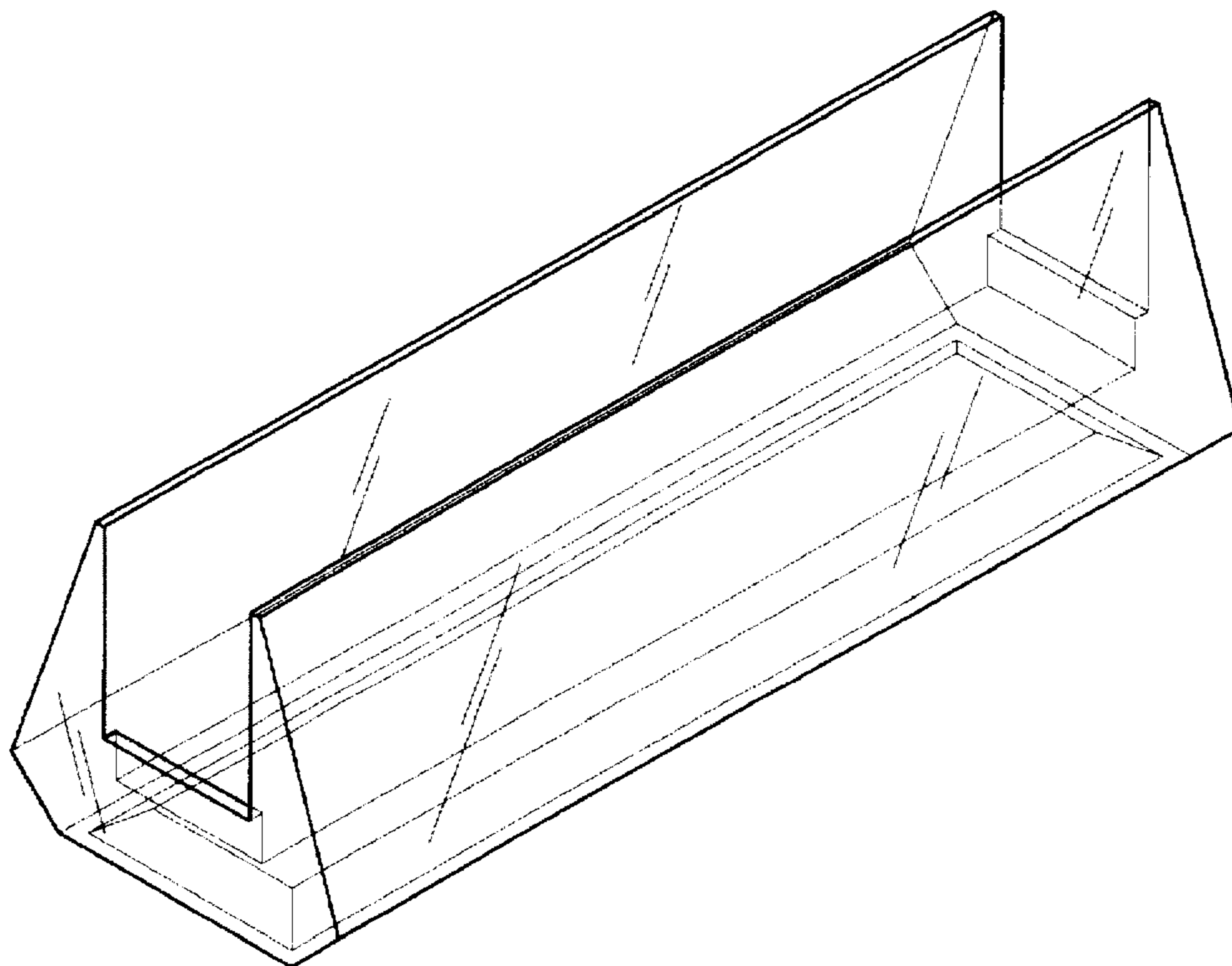
FIG. 7 is a bottom plan view thereof.

[56] **References Cited**

U.S. PATENT DOCUMENTS

D. 349,925 8/1994 Charron et al. D20/15 X
1,629,070 5/1927 Cox 273/150

1 Claim, 4 Drawing Sheets



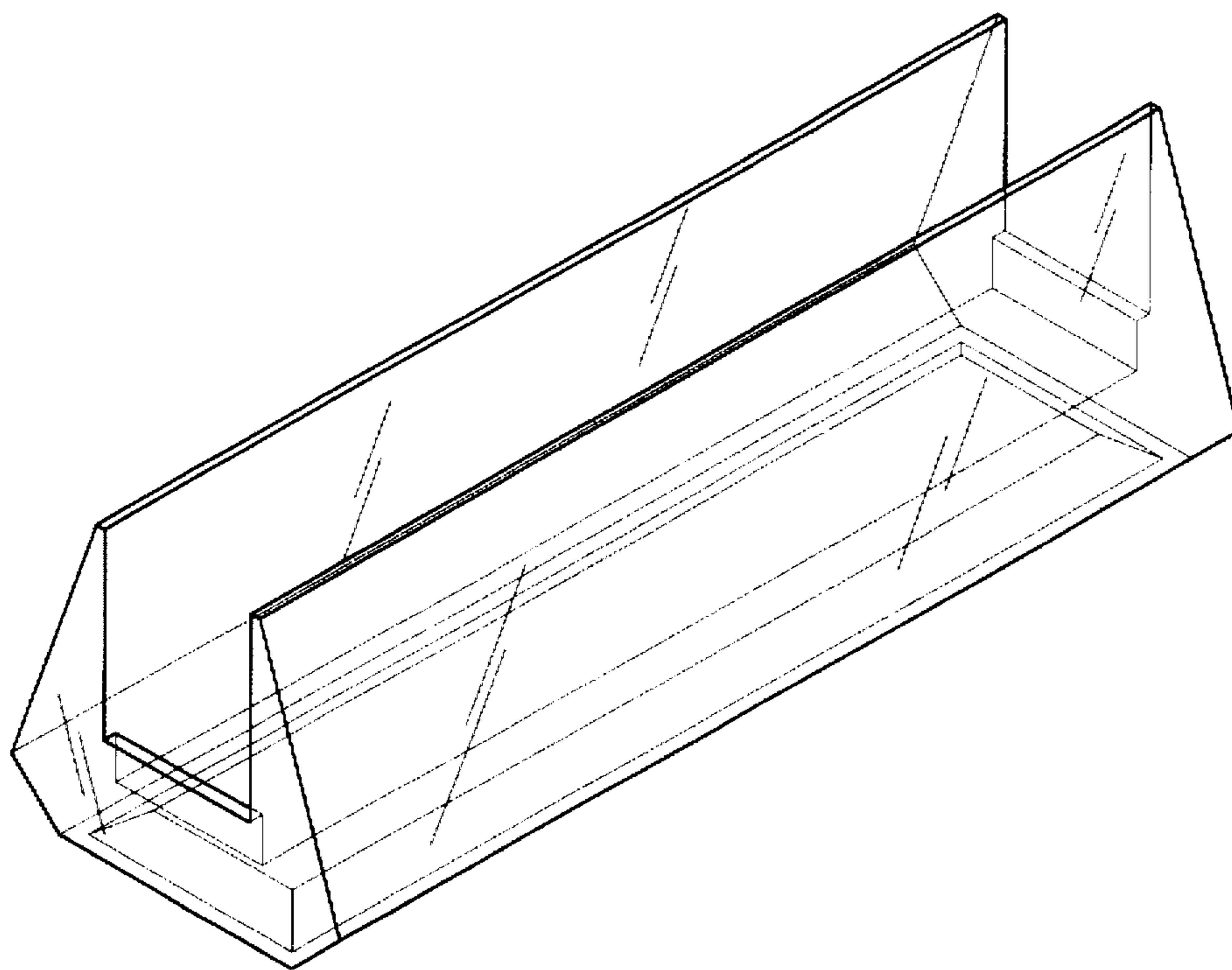


FIG. 1

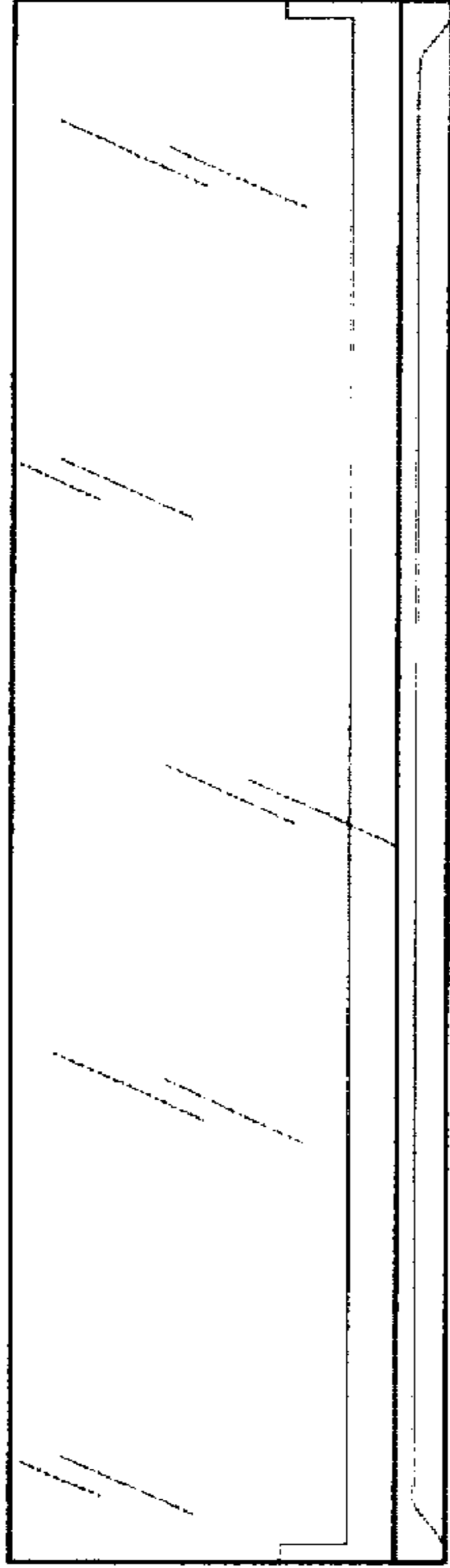


FIG. 3

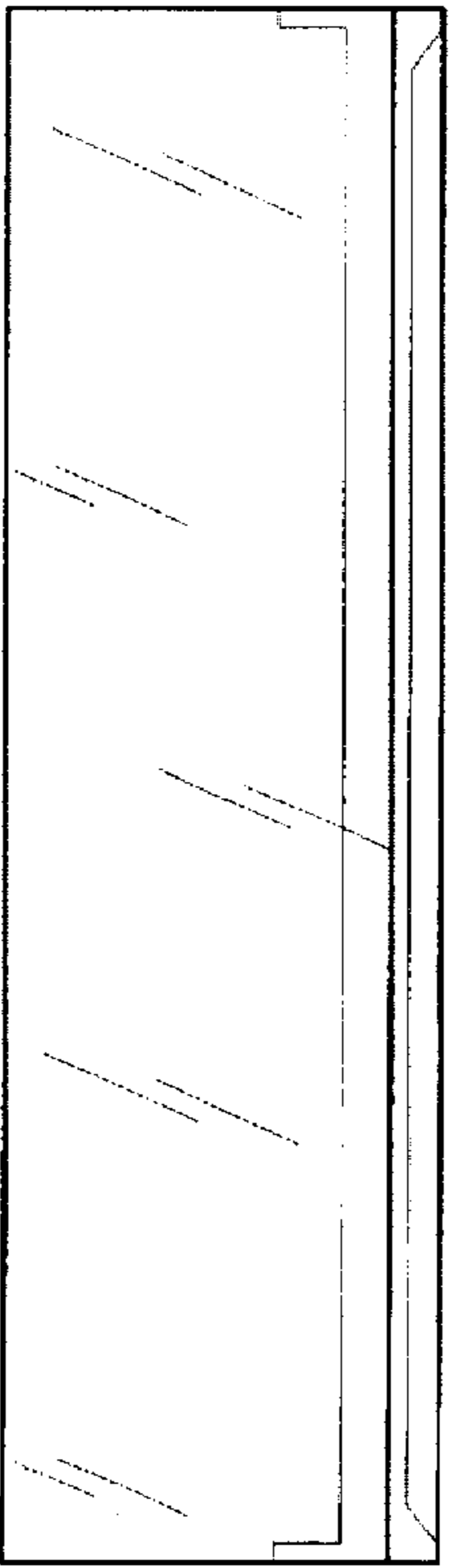


FIG. 2

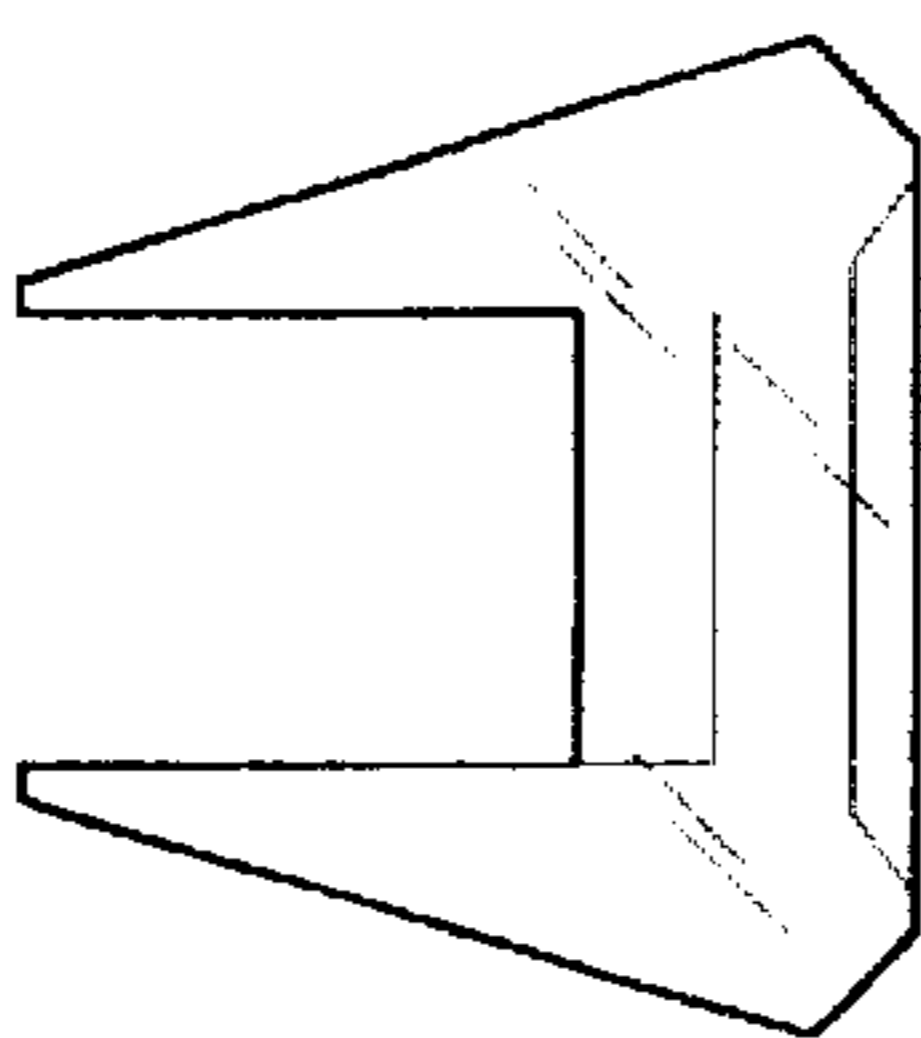


FIG. 4

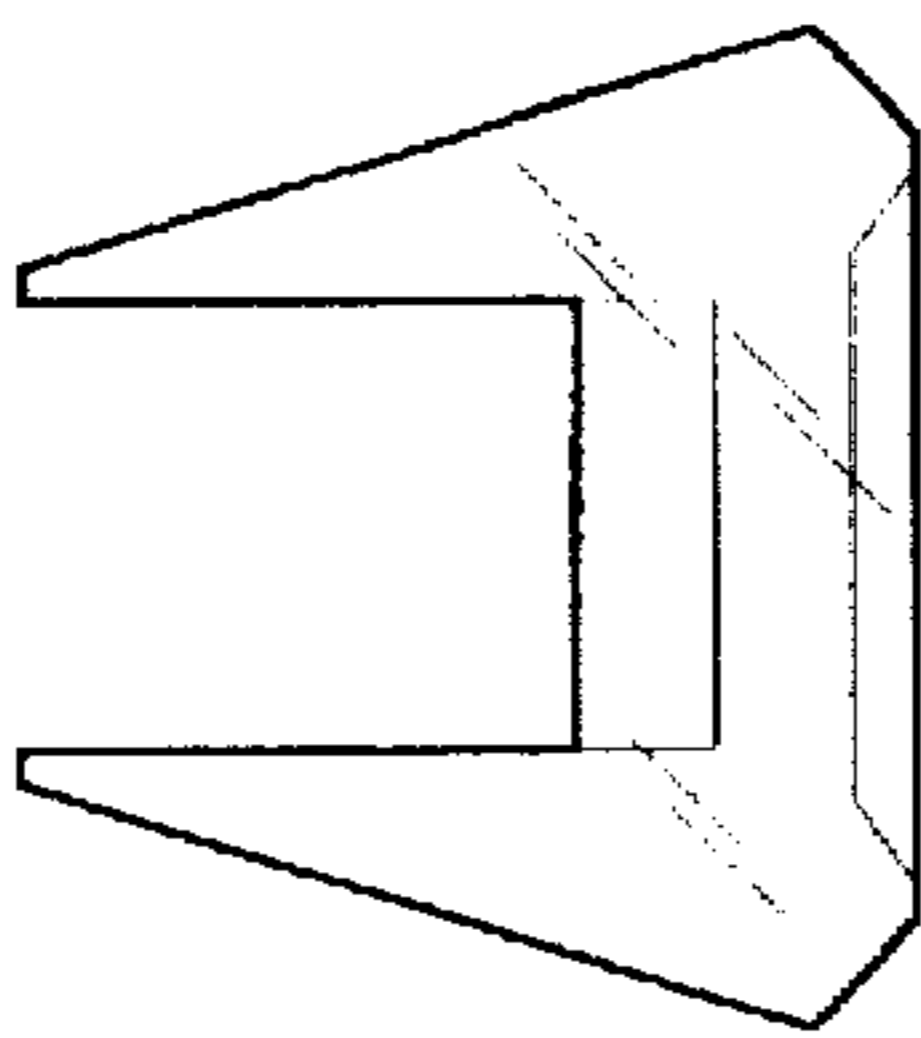


FIG. 5

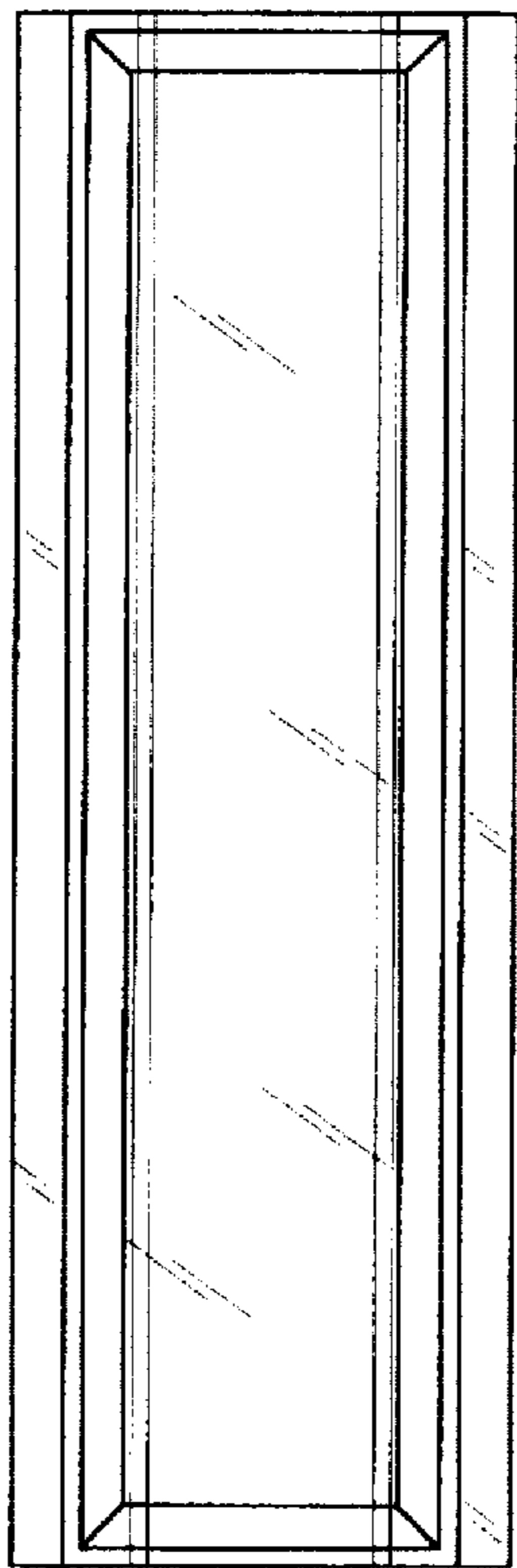


FIG. 6

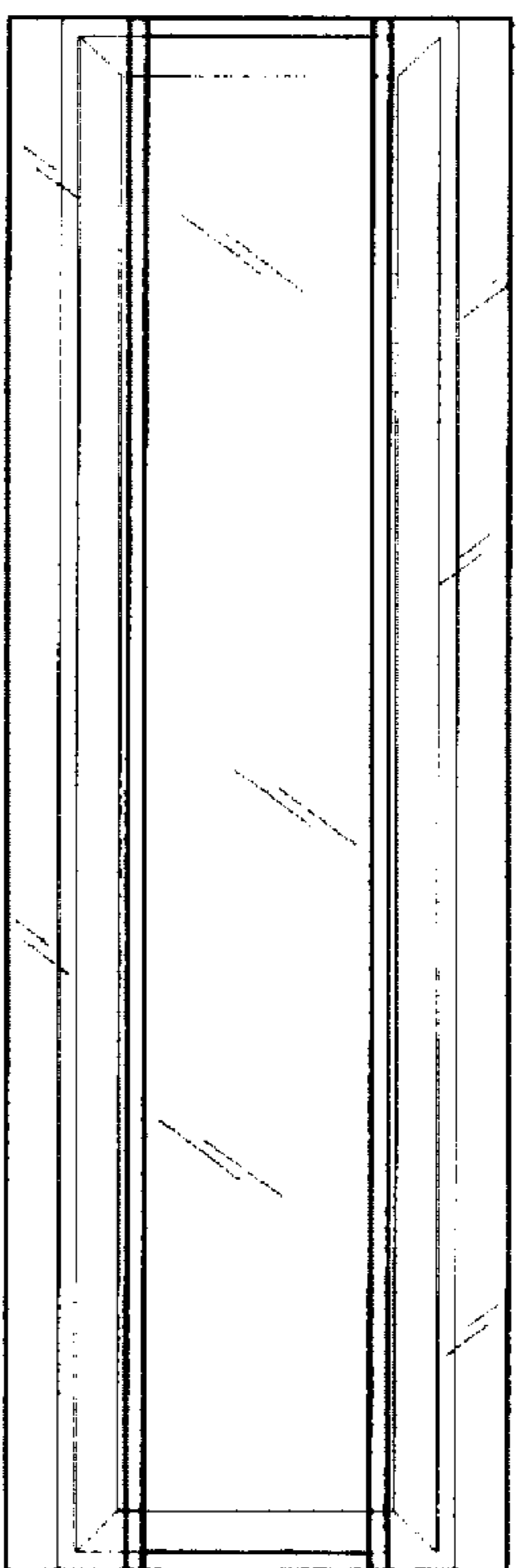


FIG. 7