

US00D393040S

United States Patent [19]

[11] Patent Number: Des. 393,040

Nishida

[45] Date of Patent: **Mar. 31, 1998

[54] FLEA CATCHER

[75] Inventor: Yasushi Nishida, Osaka, Japan

[73] Assignee: Hayashi & Company, Limited, Osaka, Japan

[**] Term: 14 Years

[21] Appl. No.: 57,283

[22] Filed: Jul. 22, 1996

[51] LOC (6) Cl. 22-06

[52] U.S. Cl. D22/122

[58] Field of Search D22/119, 122;
D30/158; 43/133, 139; 15/368, 344, 327 R,
402, 397; 119/626, 650

[56] References Cited

U.S. PATENT DOCUMENTS

D. 307,067	4/1990	Kuhl et al.	D30/158
D. 368,342	3/1996	Found	D30/158
3,071,799	1/1963	Jepson et al.	15/368
3,825,972	7/1974	MacFarland	15/402
4,100,644	7/1978	Johansson	15/402 X
4,279,095	7/1981	Aasen	15/402
4,485,583	12/1984	Planty	43/139
4,630,329	12/1986	Shores	43/139 X
5,115,765	5/1992	El-Omary	43/139 X
5,211,131	5/1993	Plyer	15/402

OTHER PUBLICATIONS

Mature Wisdom Catalog, p. 41 Vacuum for Pet #G757922.

Primary Examiner—Doris V. Coles
Attorney, Agent, or Firm—Oblon, Spivak, McClelland,
Maier & Neustadt, P.C.

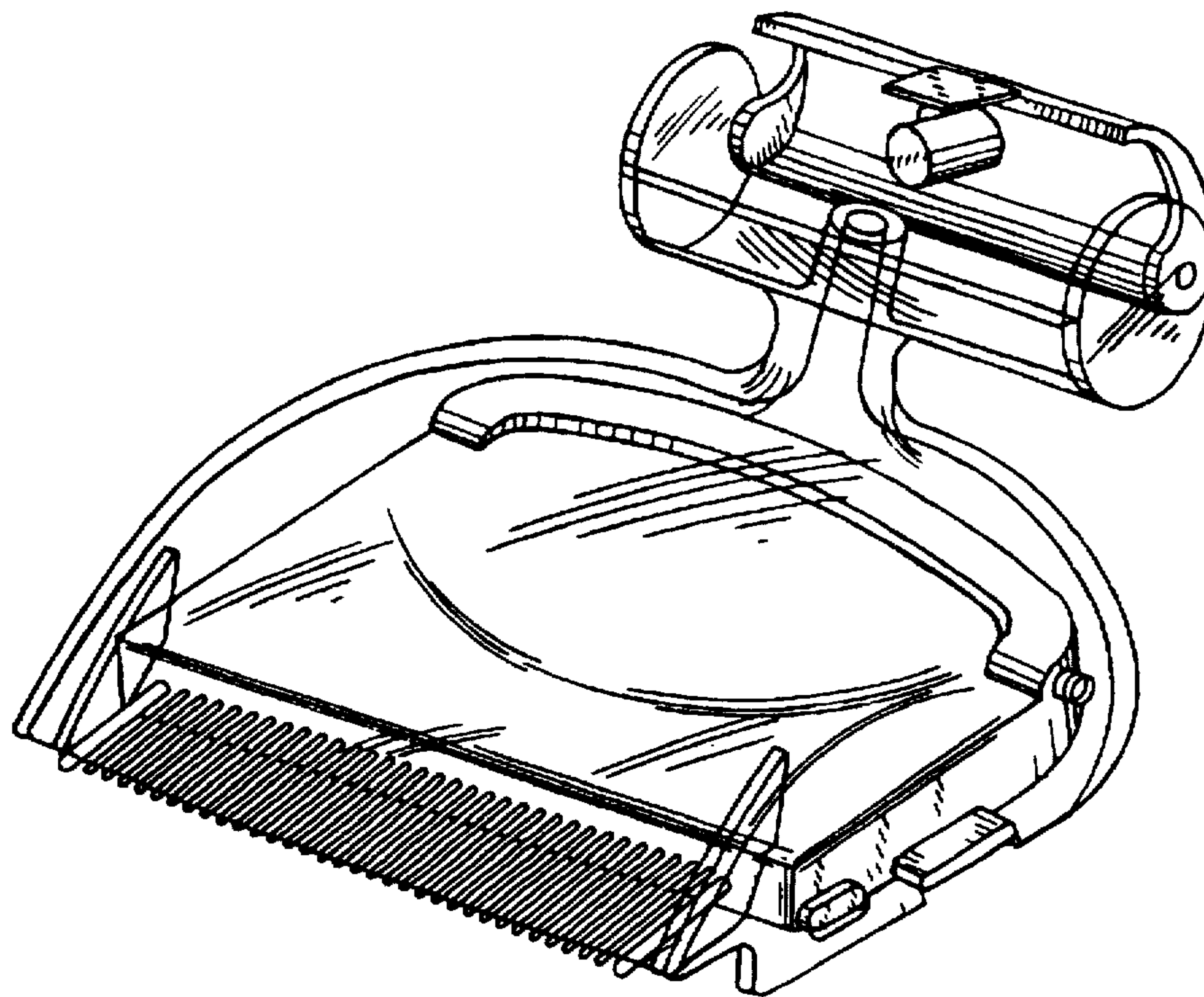
[57] CLAIM

The ornamental design for the flea catcher, as shown and described.

DESCRIPTION

FIG. 1 is a front elevational view of a flea catcher, showing my new design;
 FIG. 2 is a top plan view thereof;
 FIG. 3 is a right side elevational view, the left side being a mirror image thereof;
 FIG. 4 is a rear elevational view thereof;
 FIG. 5 is a bottom plan view thereof;
 FIG. 6 is a right side elevational view with the flea container cover in the open position;
 FIG. 7 is a right side elevational view with the base plate in the open position;
 FIG. 8 is a perspective view with the container cover and base plate in the closed position; and,
 FIG. 9 is a perspective view with the container cover in the open position.

1 Claim, 6 Drawing Sheets



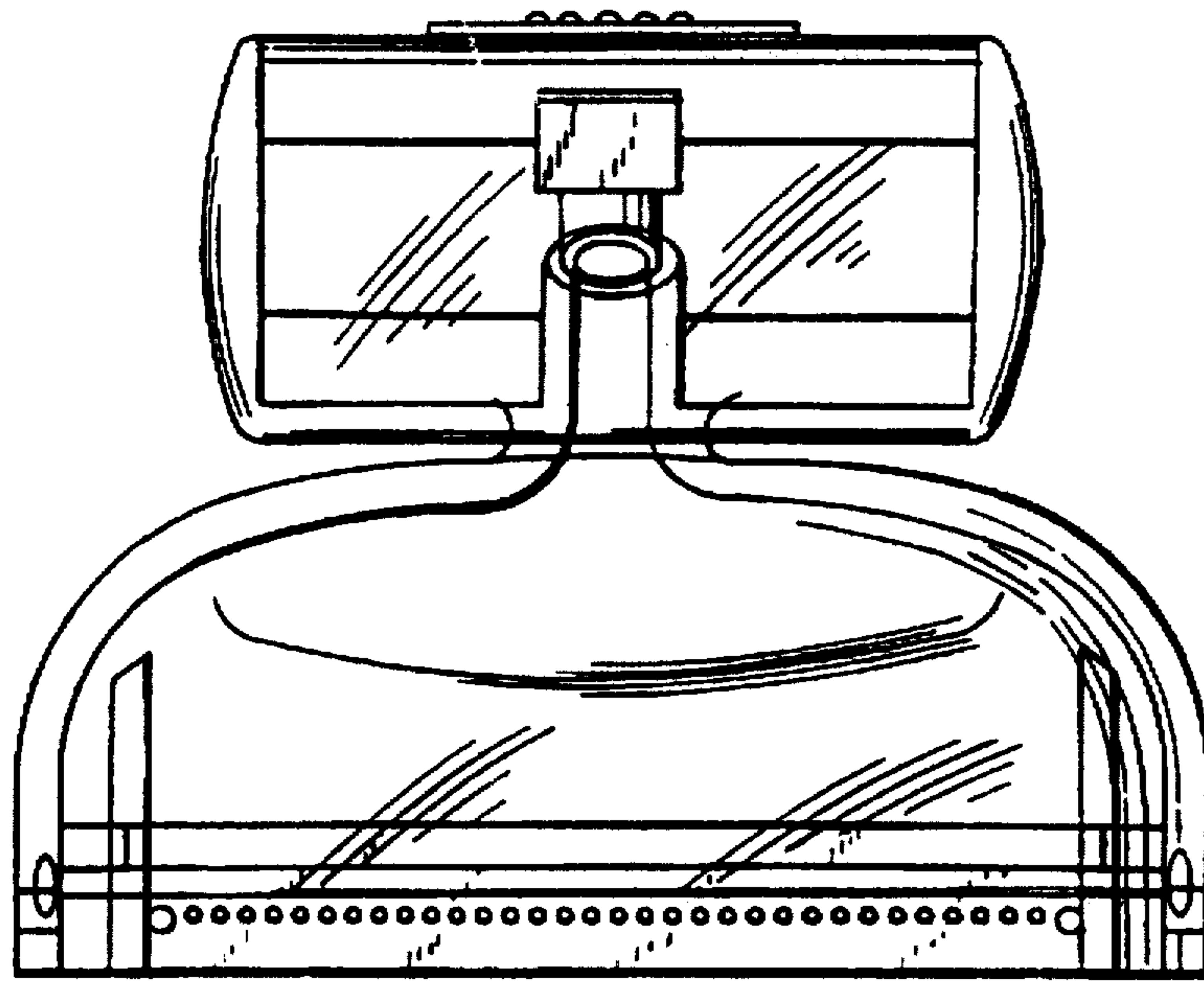


FIG. 1

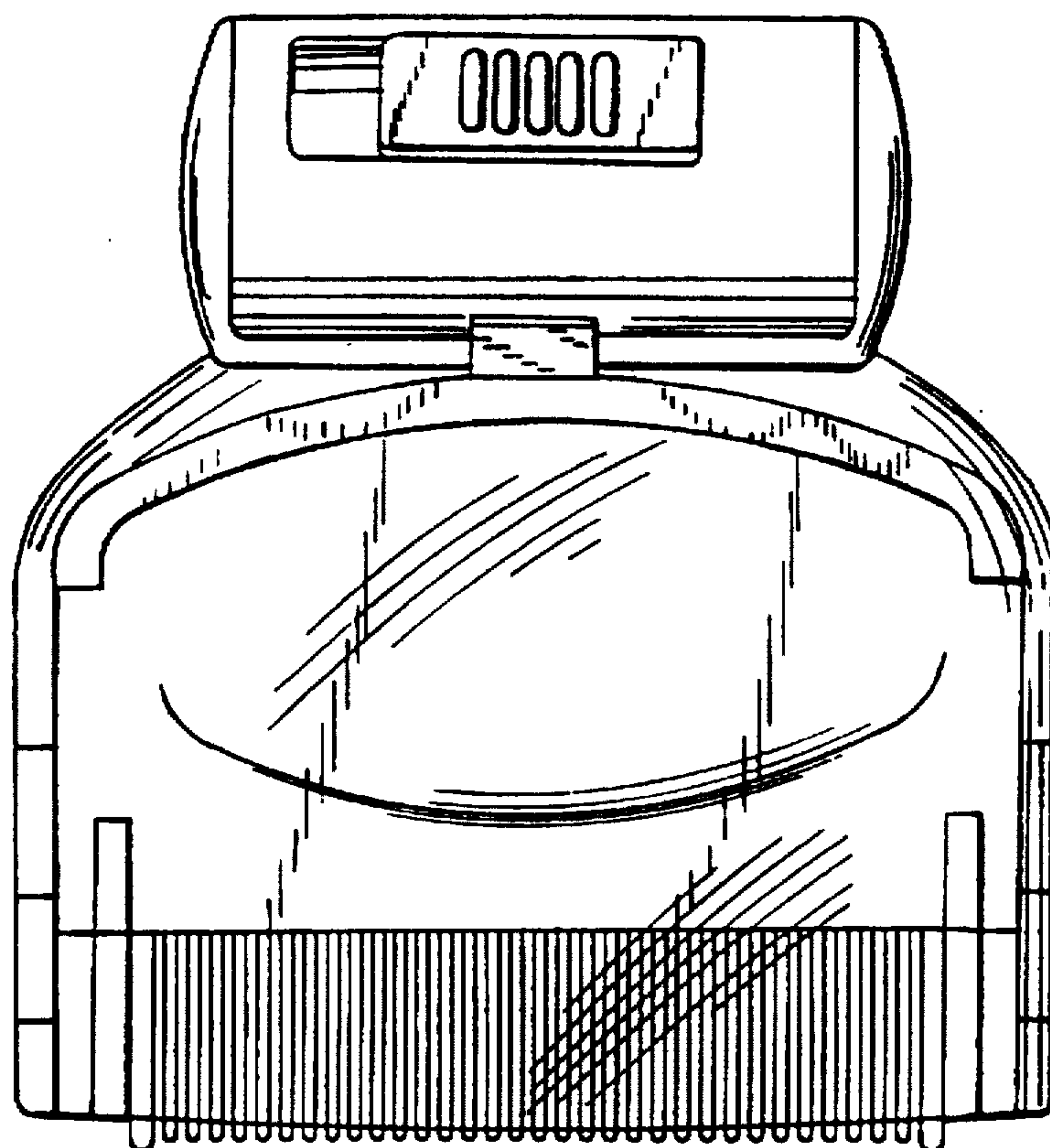


FIG. 2

FIG.3

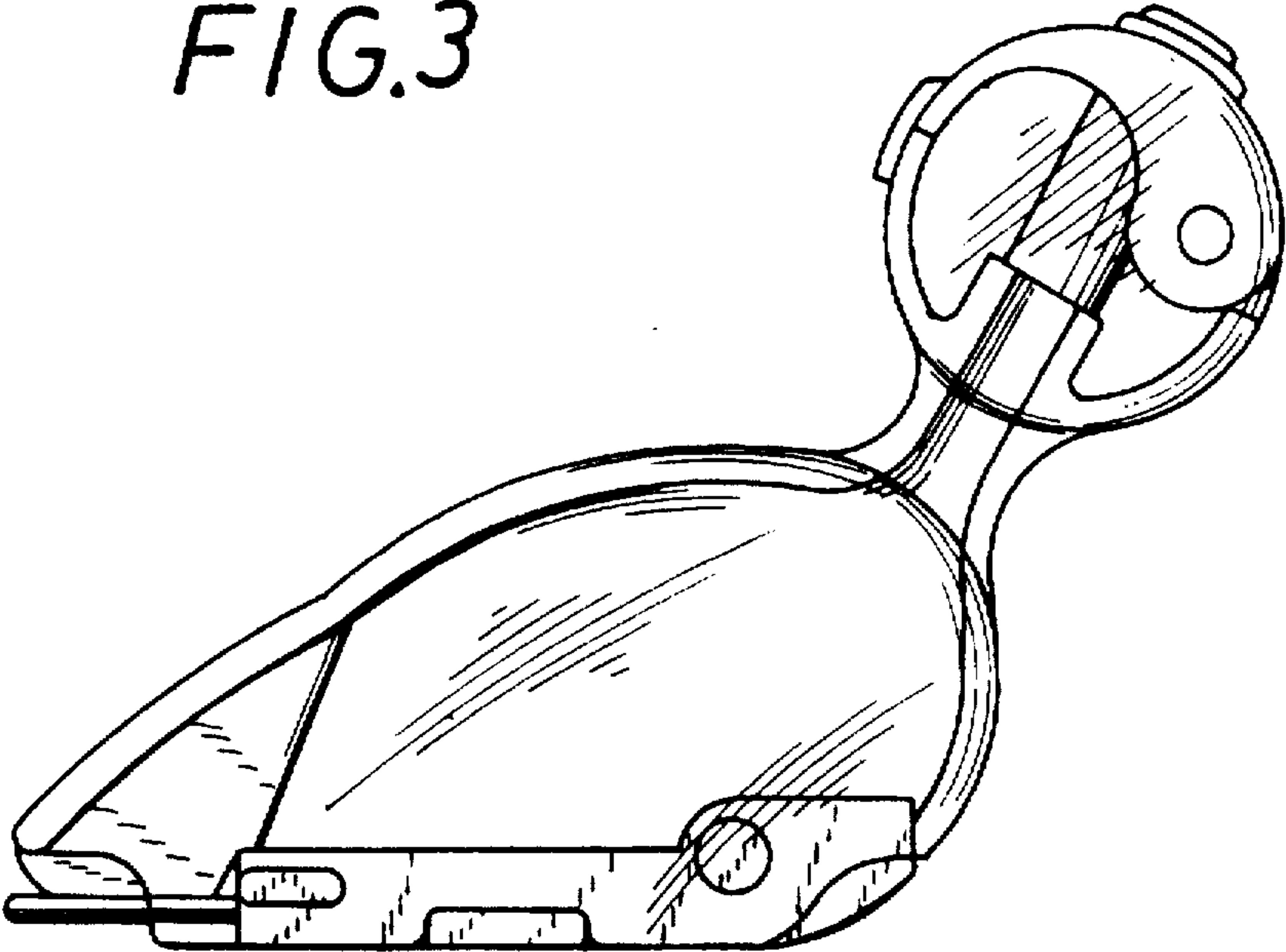
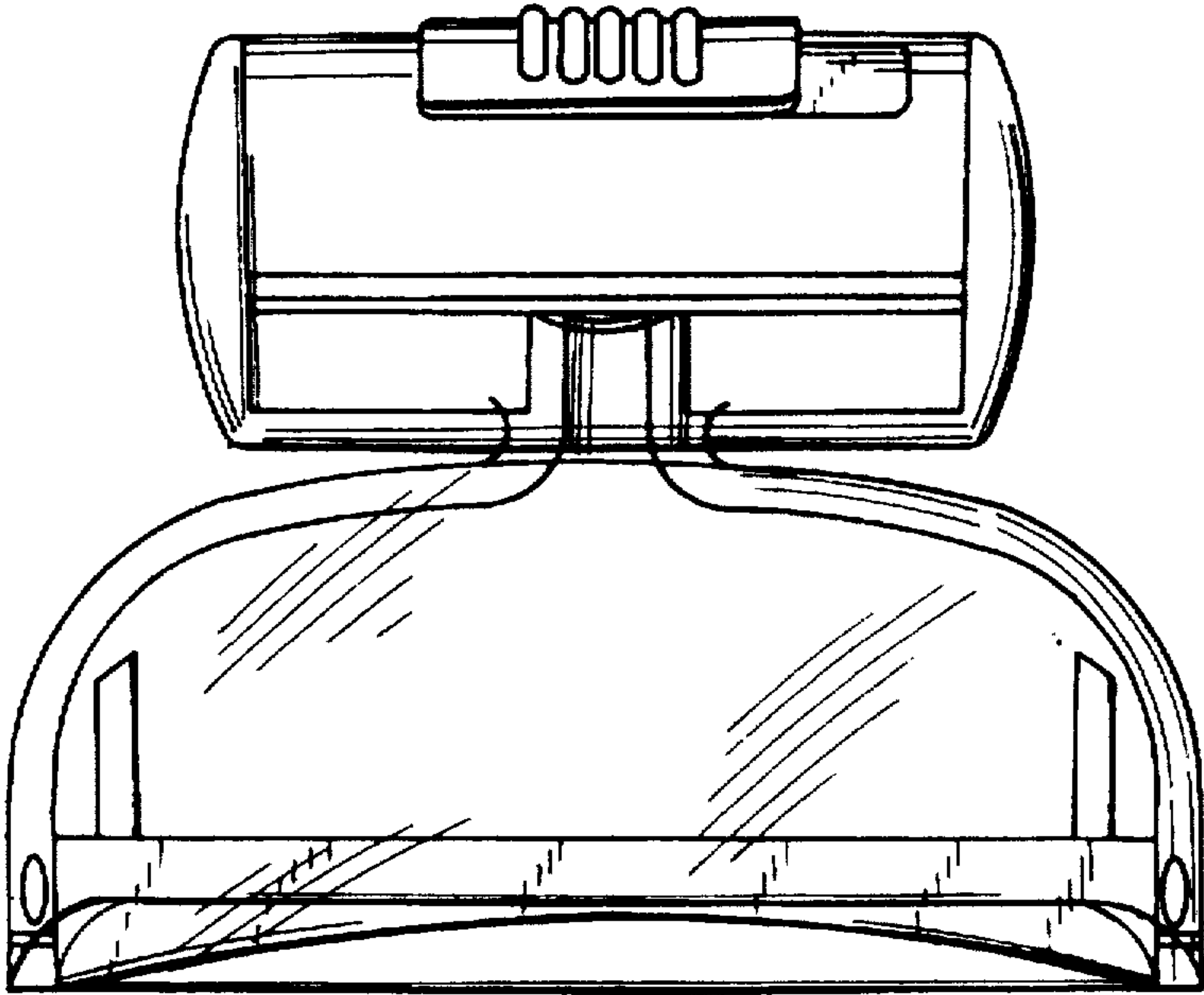


FIG.4



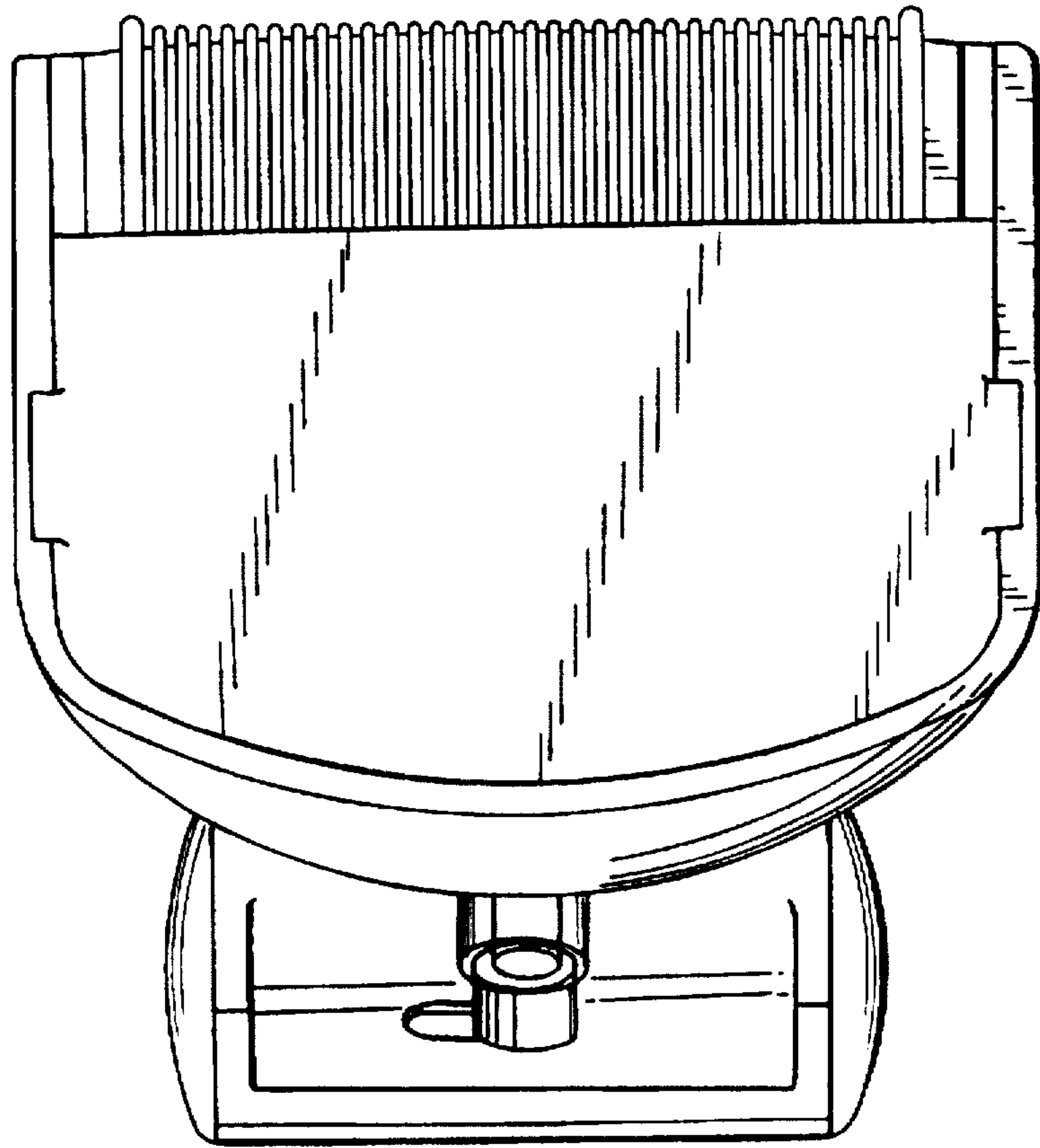


FIG. 5

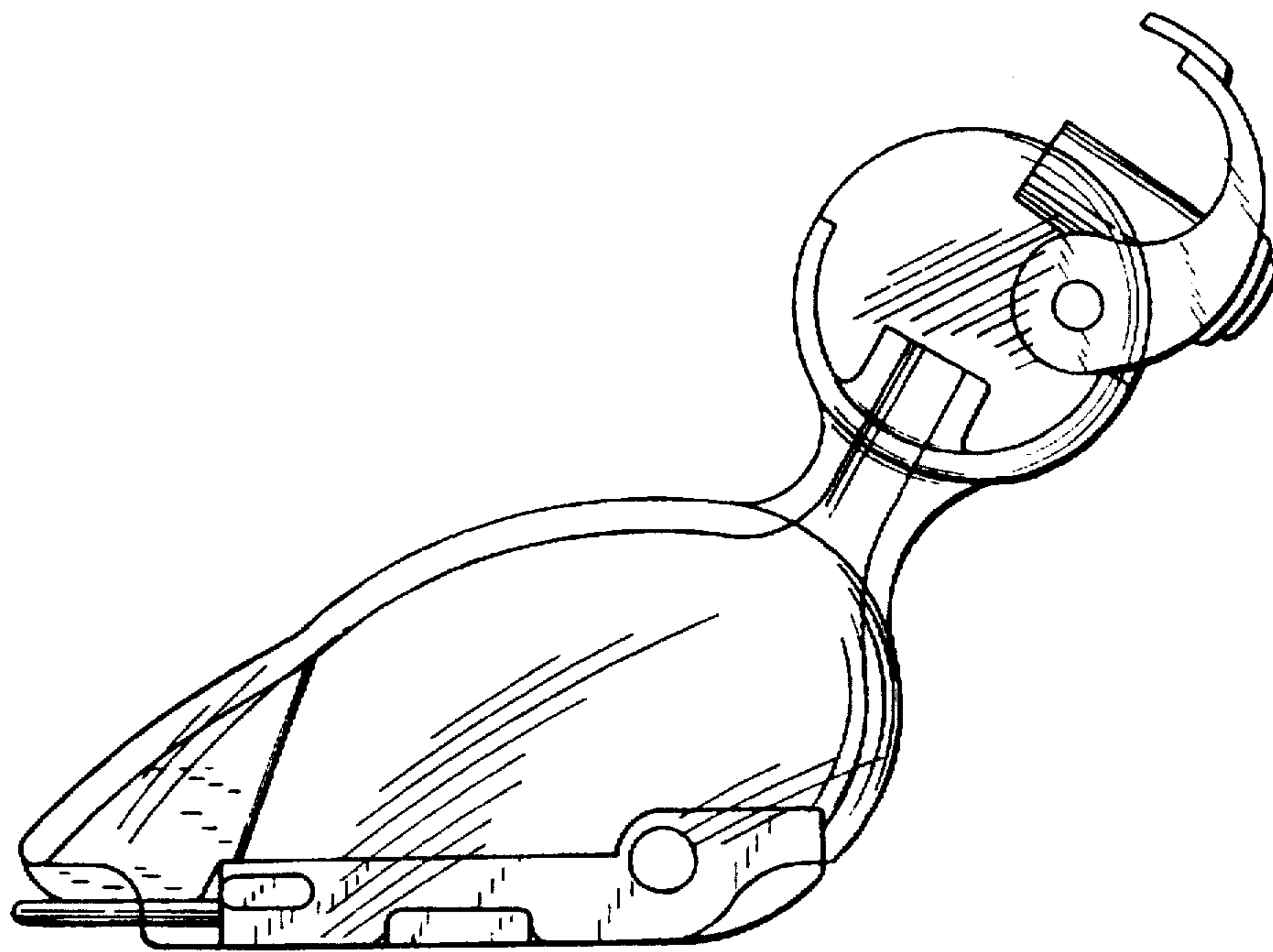


FIG. 6

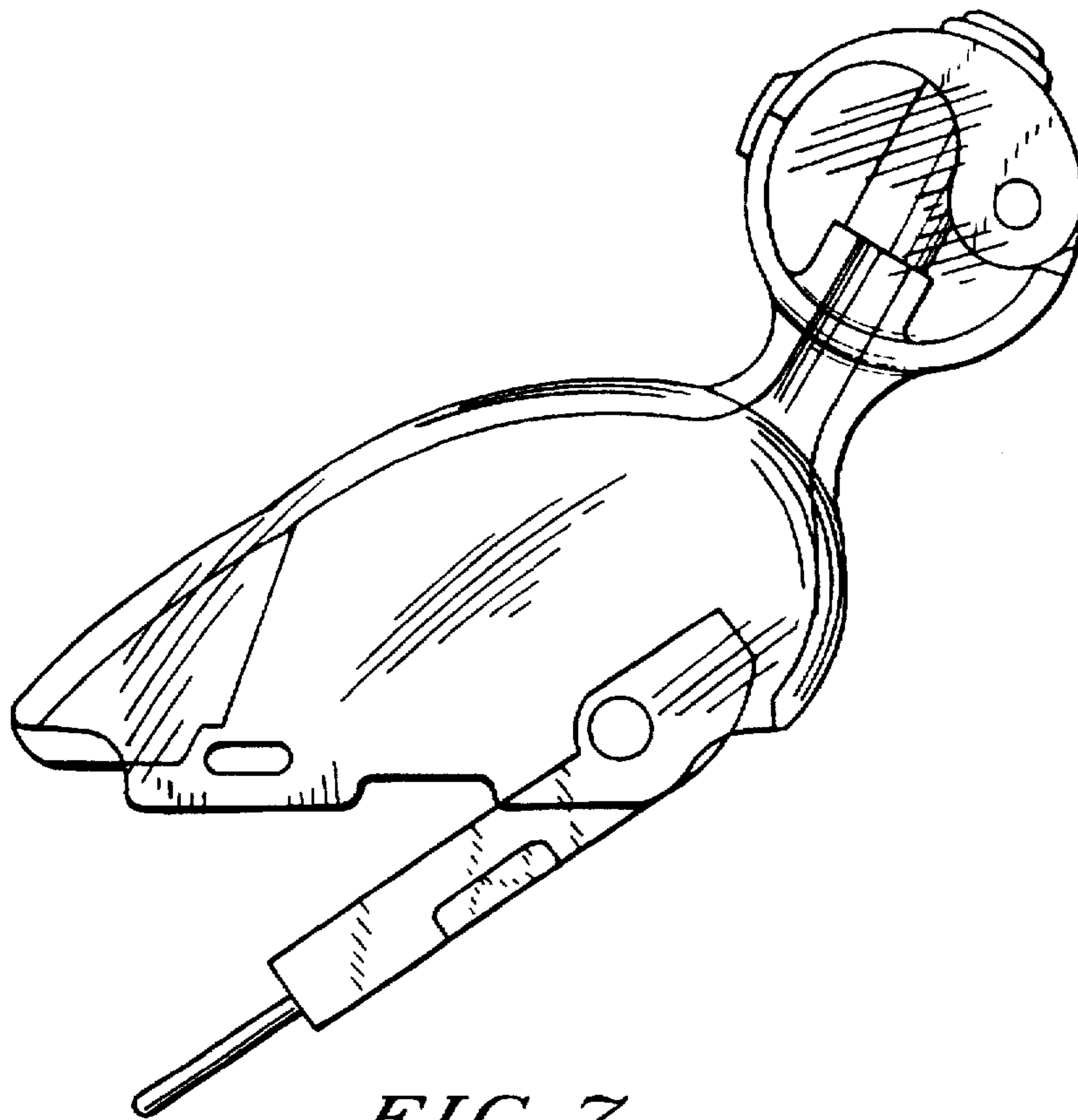
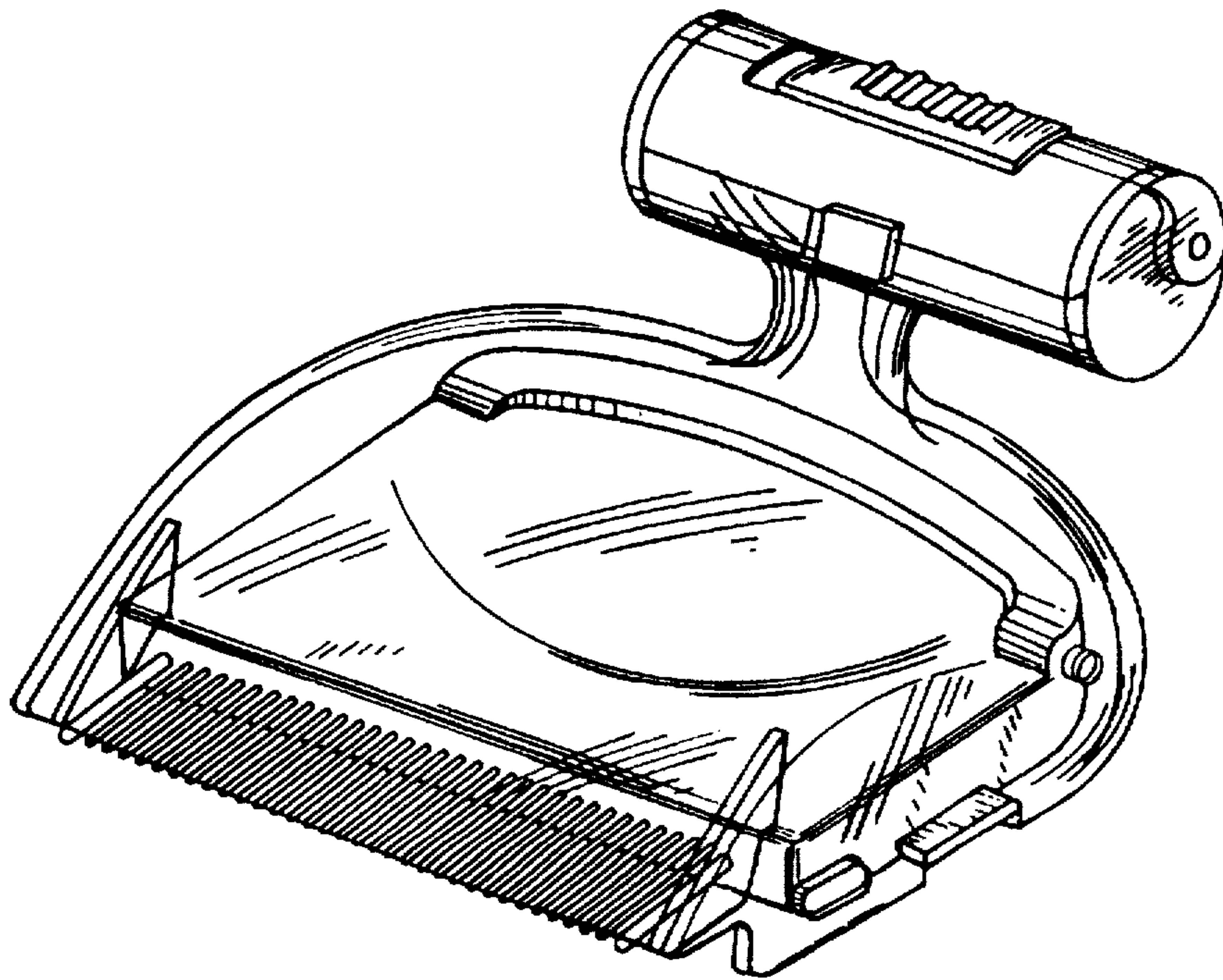


FIG. 7

FIG. 8



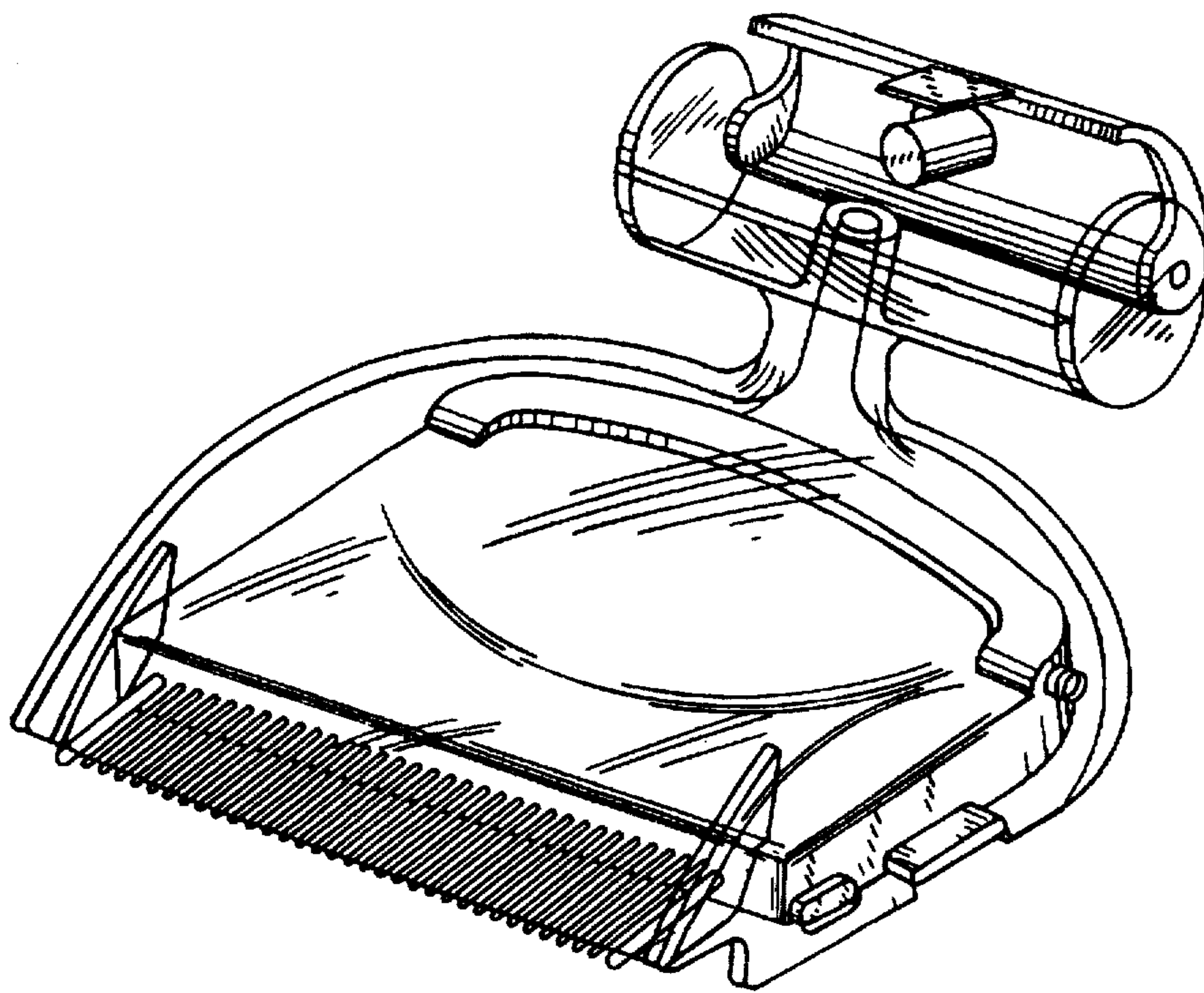


FIG. 9