

US00D393033S

United States Patent [19]
Sheets

[11] **Patent Number:** **Des. 393,033**

[45] **Date of Patent:** ****Mar. 31, 1998**

[54] **GOLF CLUB PUTTER HEAD**

[76] **Inventor:** **Jeffrey D. Sheets**, 12 Southwood Dr.,
Wilbraham, Mass. 01095

[**] **Term:** **14 Years**

[21] **Appl. No.:** **65,315**

[22] **Filed:** **Jan. 23, 1997**

[51] **LOC (6) Cl.** **21-02**

[52] **U.S. Cl.** **D21/219**

[58] **Field of Search** **D21/217-219;**
473/251-256, 340, 341

[56] **References Cited**

U.S. PATENT DOCUMENTS

D. 363,329 10/1995 Greene et al. D21/219
D. 363,518 10/1995 Greene et al. D21/219

OTHER PUBLICATIONS

Golf Day; p. 11; Odyssey putter, item A. lower right corner
of page, Apr. 1995.

Unique Golf Products; Centerline putter, Apr. 1981.

Golf World; p. 22; Navigator putter, middle left of page, Sep.
1978.

Primary Examiner—Ted Shooman
Assistant Examiner—Mitchell I. Siegel

[57] **CLAIM**

The ornamental design of the golf club putter head, as shown
and described.

DESCRIPTION

FIG. 1 is a perspective view of the golf club putter head
showing the design of my invention;

FIG. 2 is a front view thereof;

FIG. 3 is a top plan view thereof;

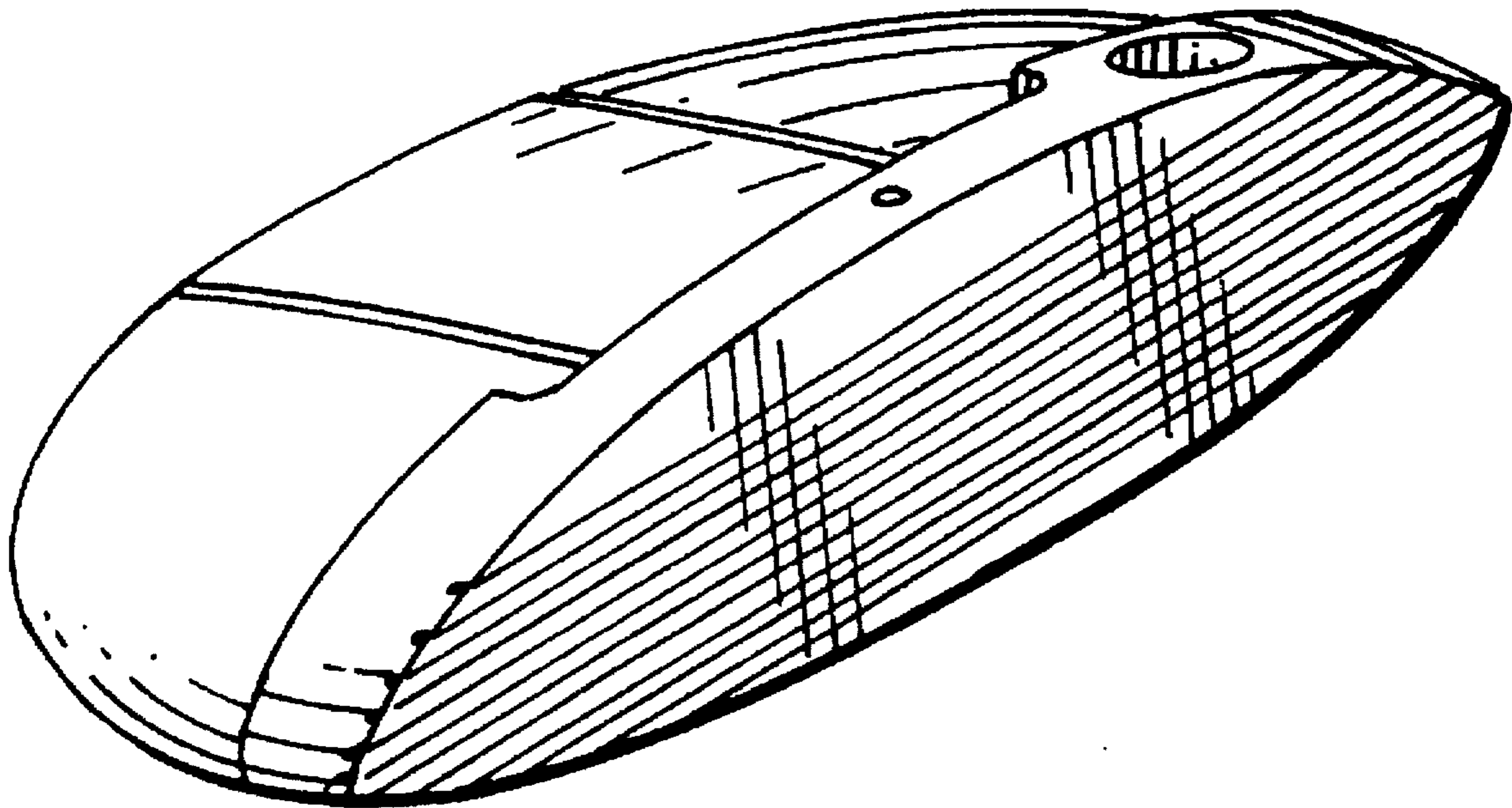
FIG. 4 is a rear view thereof;

FIG. 5 is a bottom view thereof;

FIG. 6 is a left end view thereof; and,

FIG. 7 is a right end view thereof.

1 Claim, 2 Drawing Sheets



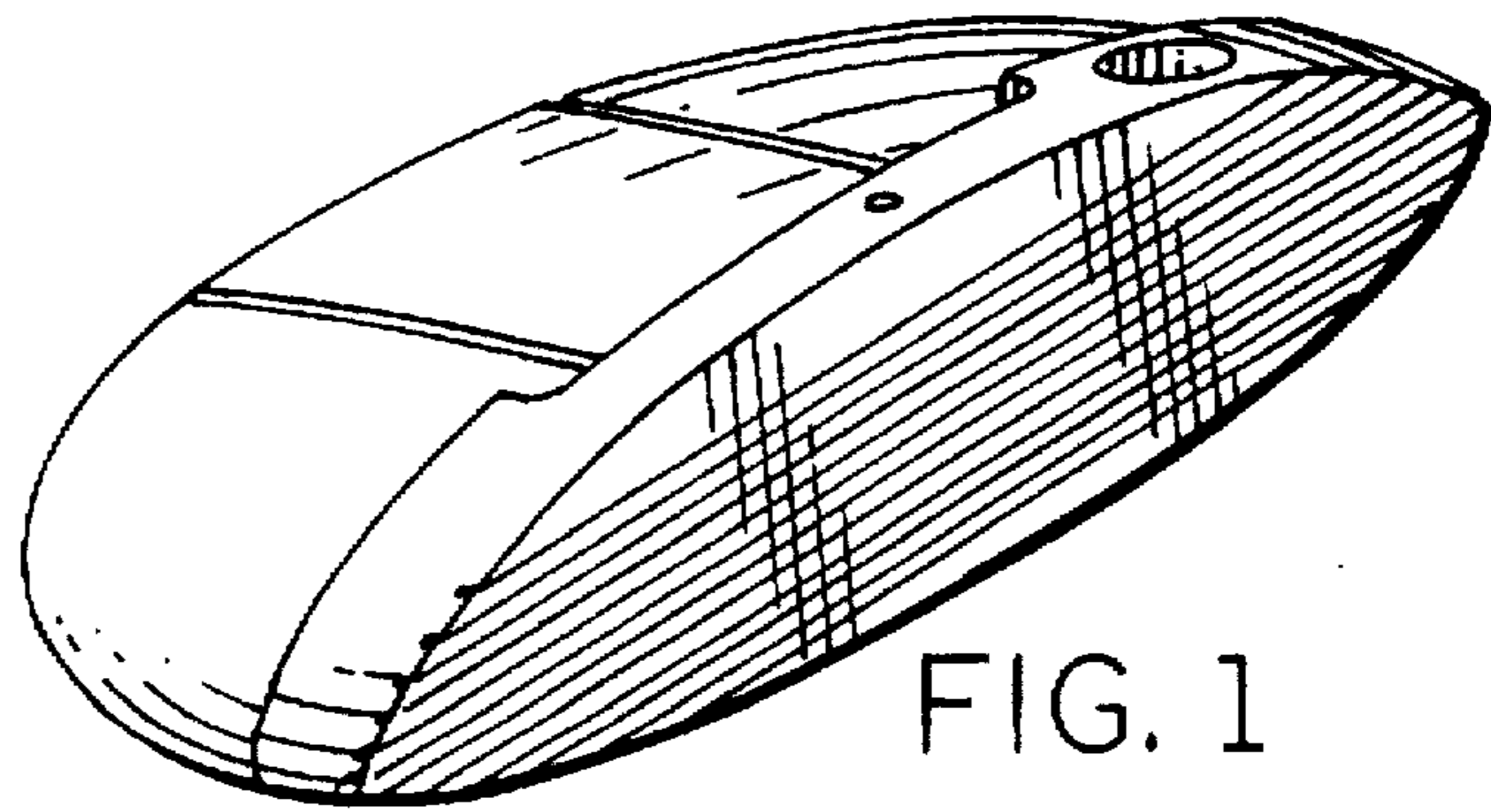


FIG. 1

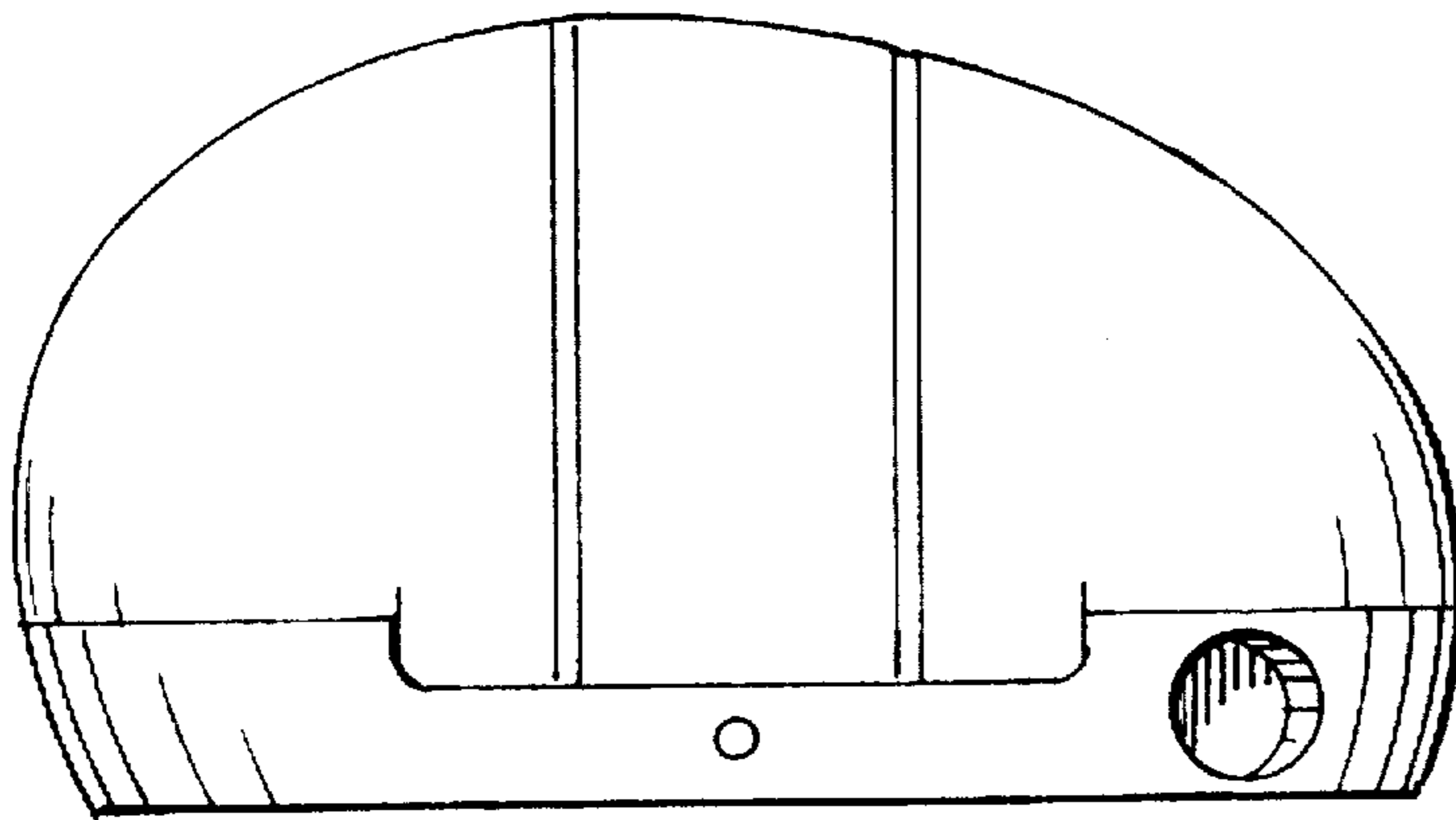


FIG. 3

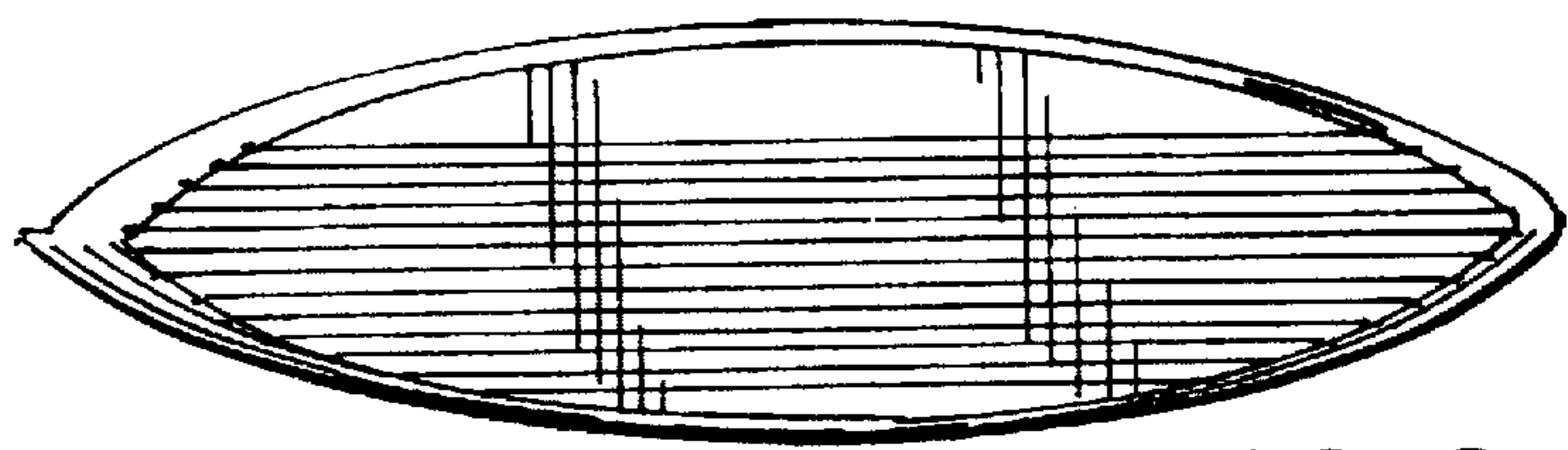


FIG. 2

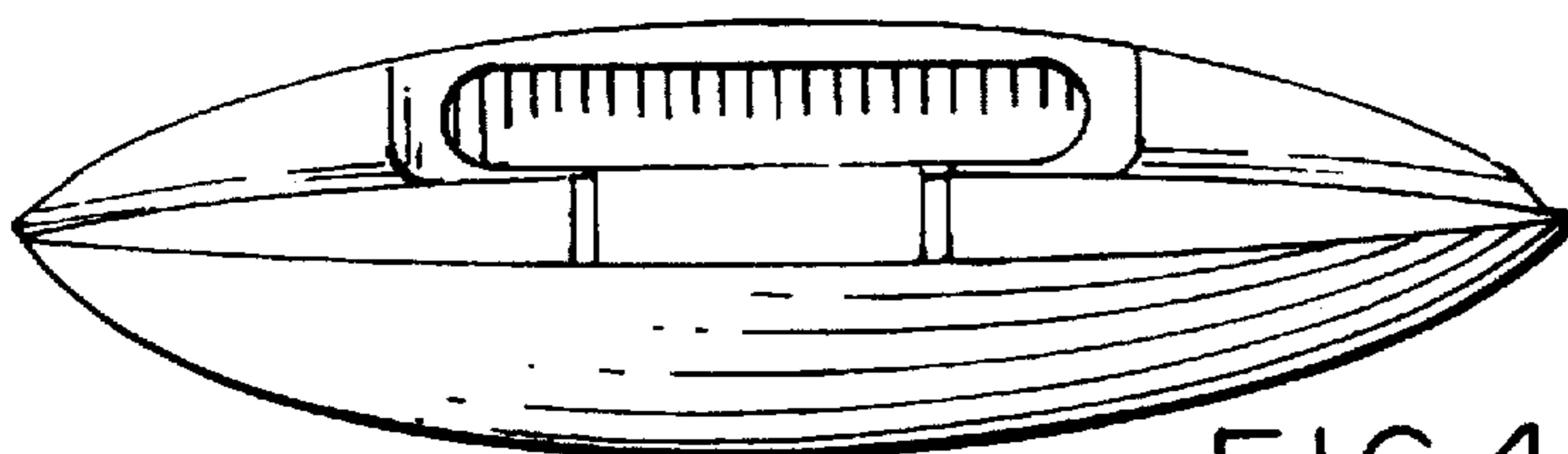


FIG. 4

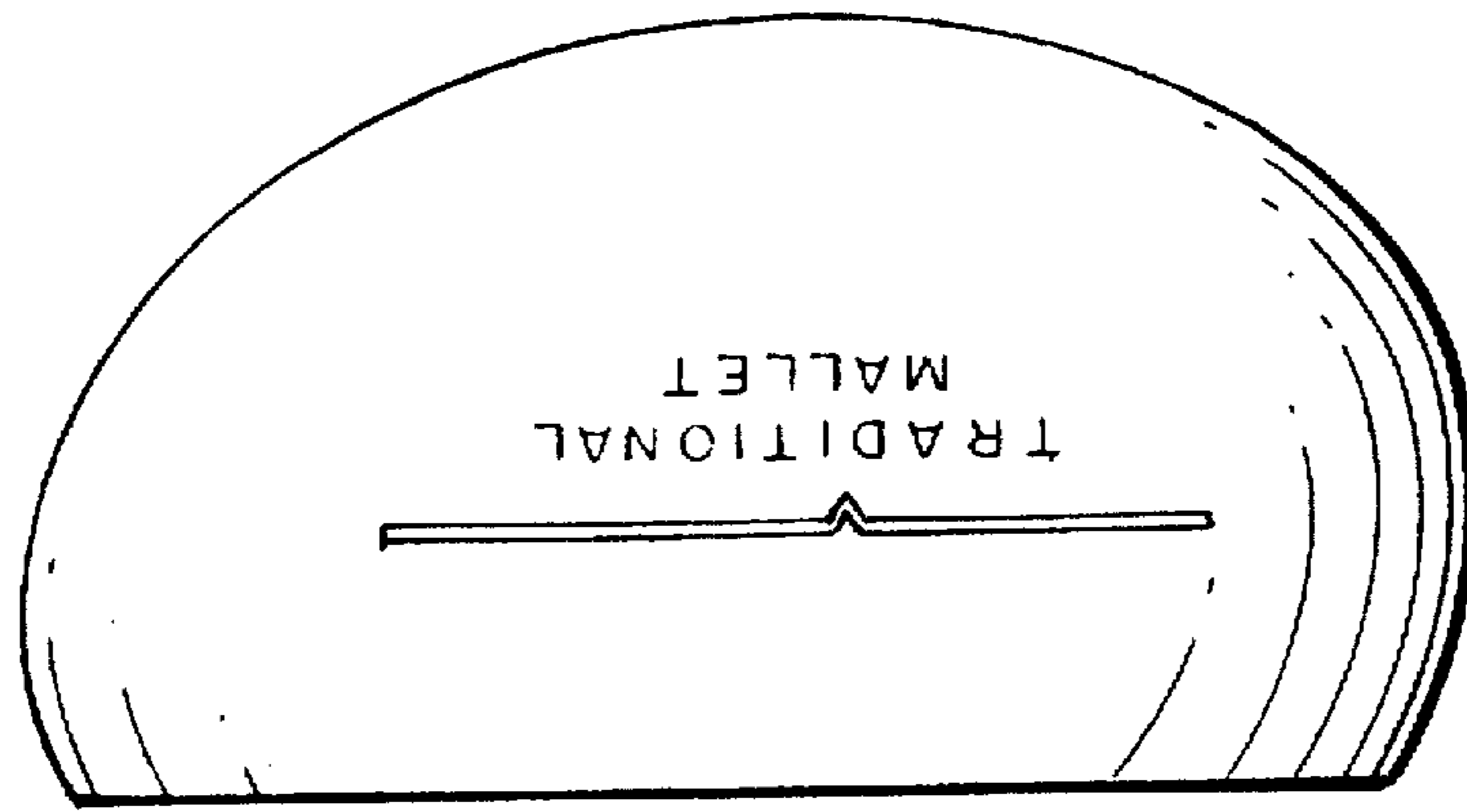


FIG. 5

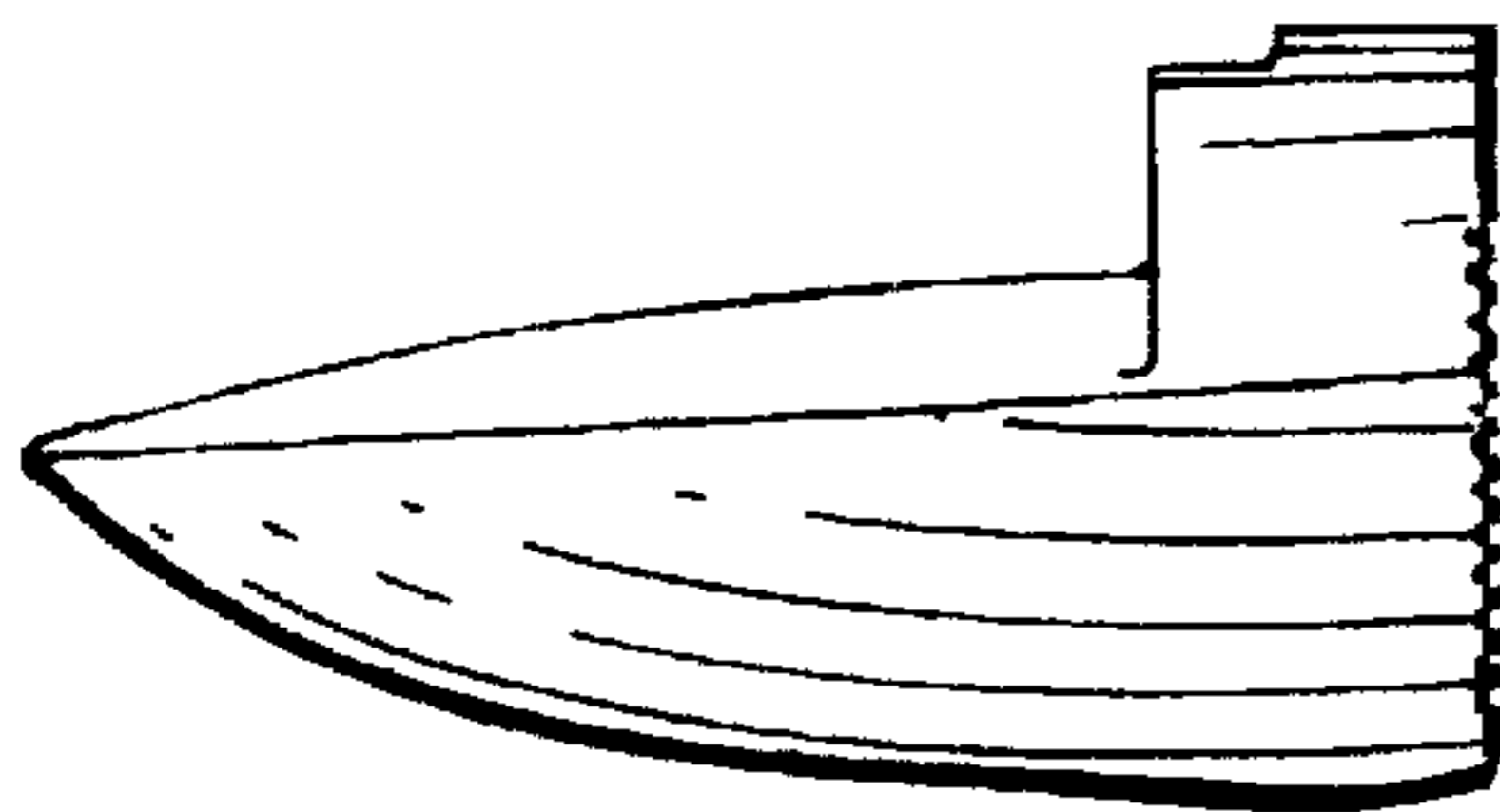


FIG. 6

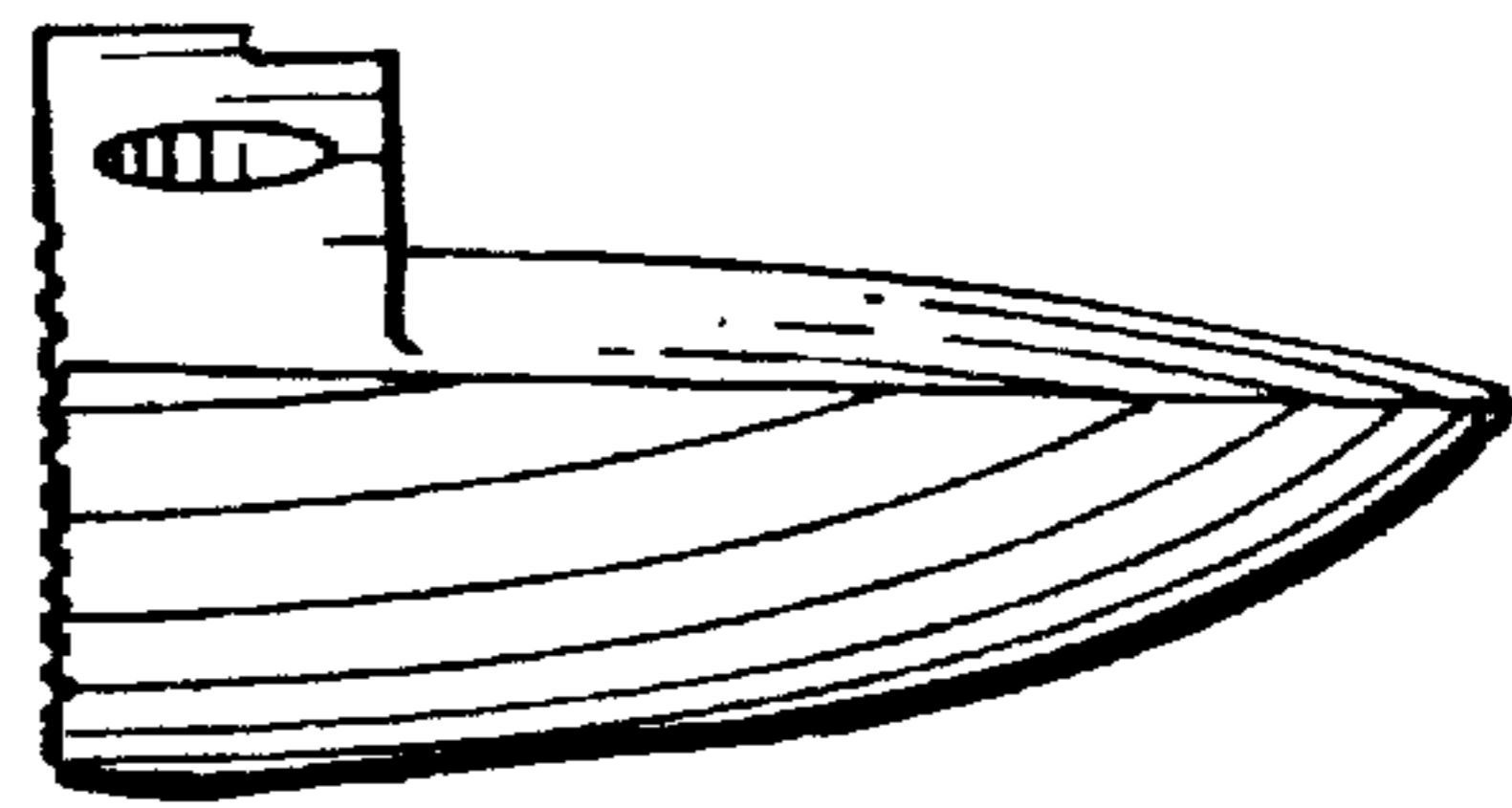


FIG. 7